



US00D479350S

(12) **United States Design Patent**  
**Herman**

(10) **Patent No.:** **US D479,350 S**

(45) **Date of Patent:** **\*\* Sep. 2, 2003**

(54) **FLASHLIGHT MULTI-TOOL**

(76) **Inventor:** **John C. Herman**, 370 Apache Rd.,  
Lyons, CO (US) 80540

(\*\*) **Term:** **14 Years**

(21) **Appl. No.:** **29/169,332**

(22) **Filed:** **Oct. 17, 2002**

(51) **LOC (7) Cl.** ..... **26-02**

(52) **U.S. Cl.** ..... **D26/38**

(58) **Field of Search** ..... D26/37-50; 362/157,  
362/158, 171, 172, 173, 183-208

(56) **References Cited**

**U.S. PATENT DOCUMENTS**

D392,060 S	*	3/1998	Chen	.....	D26/38
D438,528 S	*	3/2001	Chan	.....	D26/28
D442,715 S	*	5/2001	Hung	.....	D26/38
D459,190 S	*	6/2002	Chen	.....	D26/38

\* cited by examiner

*Primary Examiner*—Marcus A. Jackson  
(74) *Attorney, Agent, or Firm*—Emery L. Tracy

(57) **CLAIM**

The ornamental design for flashlight multi-tool, as shown and described.

**DESCRIPTION**

FIG. 1 is a left perspective view of the flashlight multi-tool showing my new design;

FIG. 2 is a right perspective view thereof;

FIG. 3 is a bottom perspective view thereof;

FIG. 4 is a left side view thereof;

FIG. 5 is a right side view thereof;

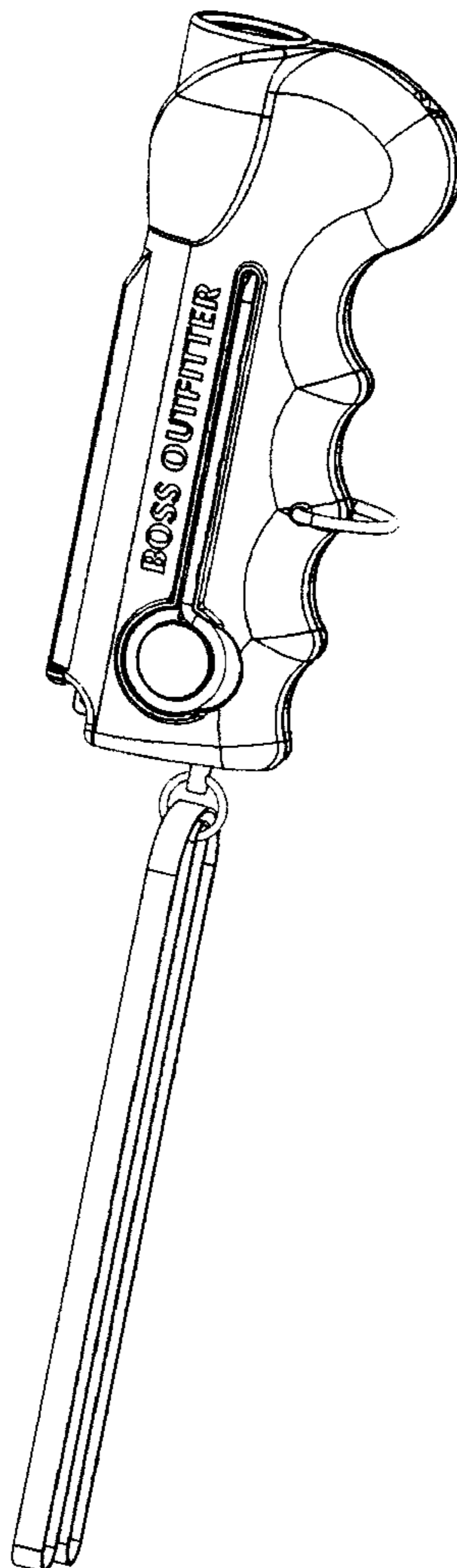
FIG. 6 is a top view thereof;

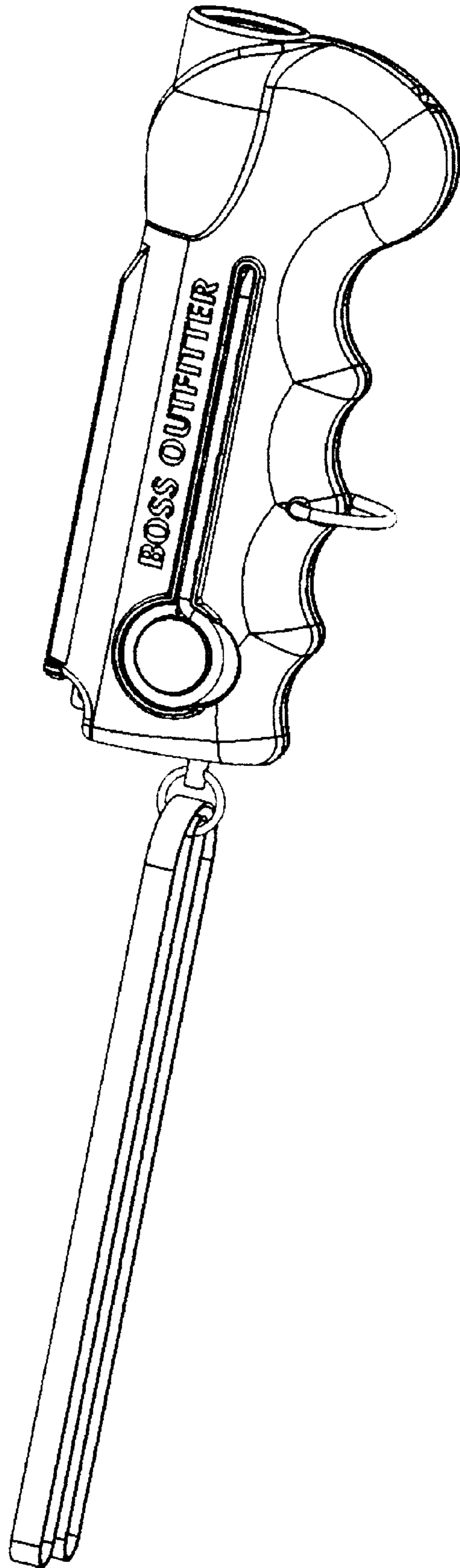
FIG. 7 is a bottom view thereof;

FIG. 8 is a front view thereof; and,

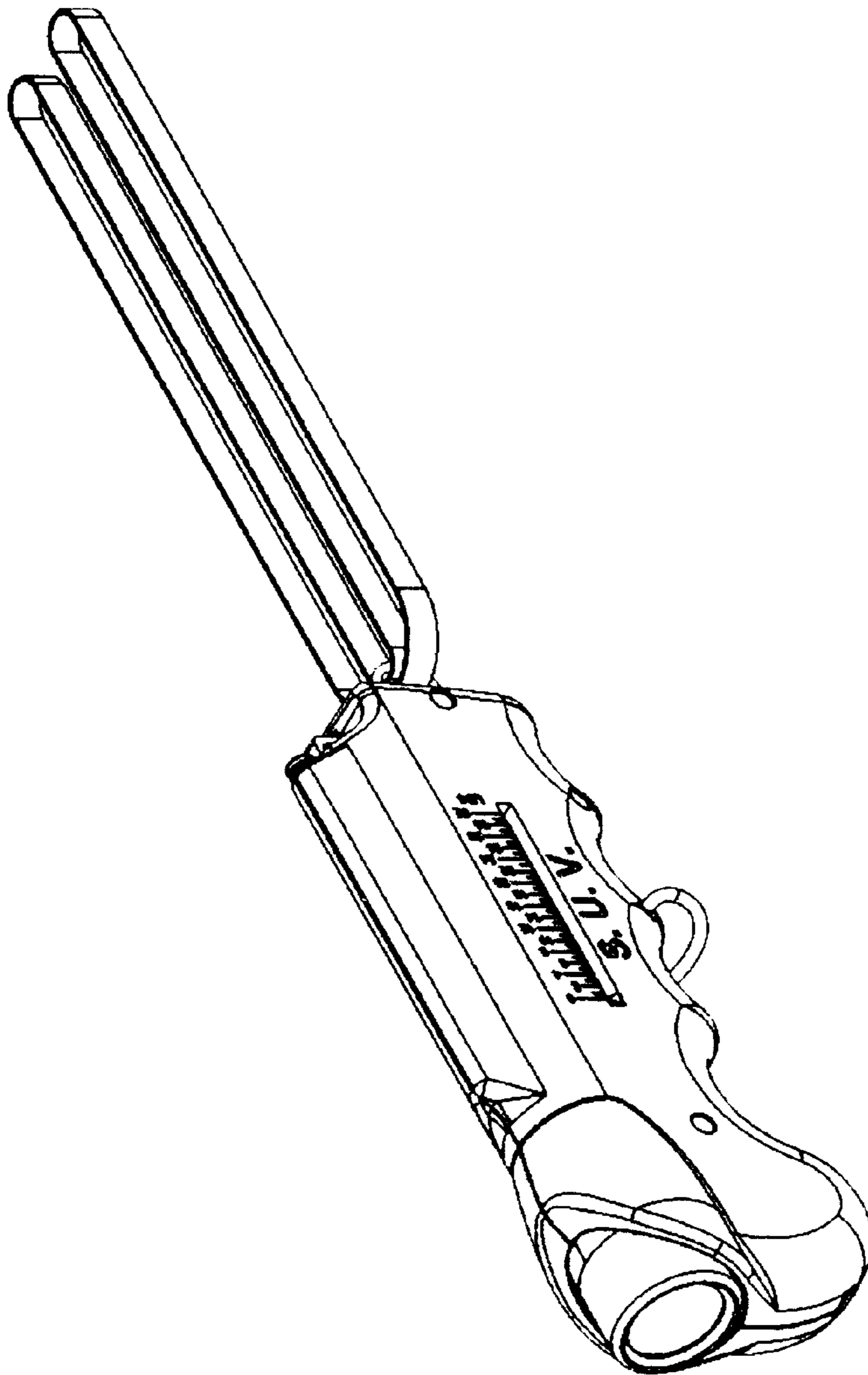
FIG. 9 is a rear view thereof.

**1 Claim, 9 Drawing Sheets**

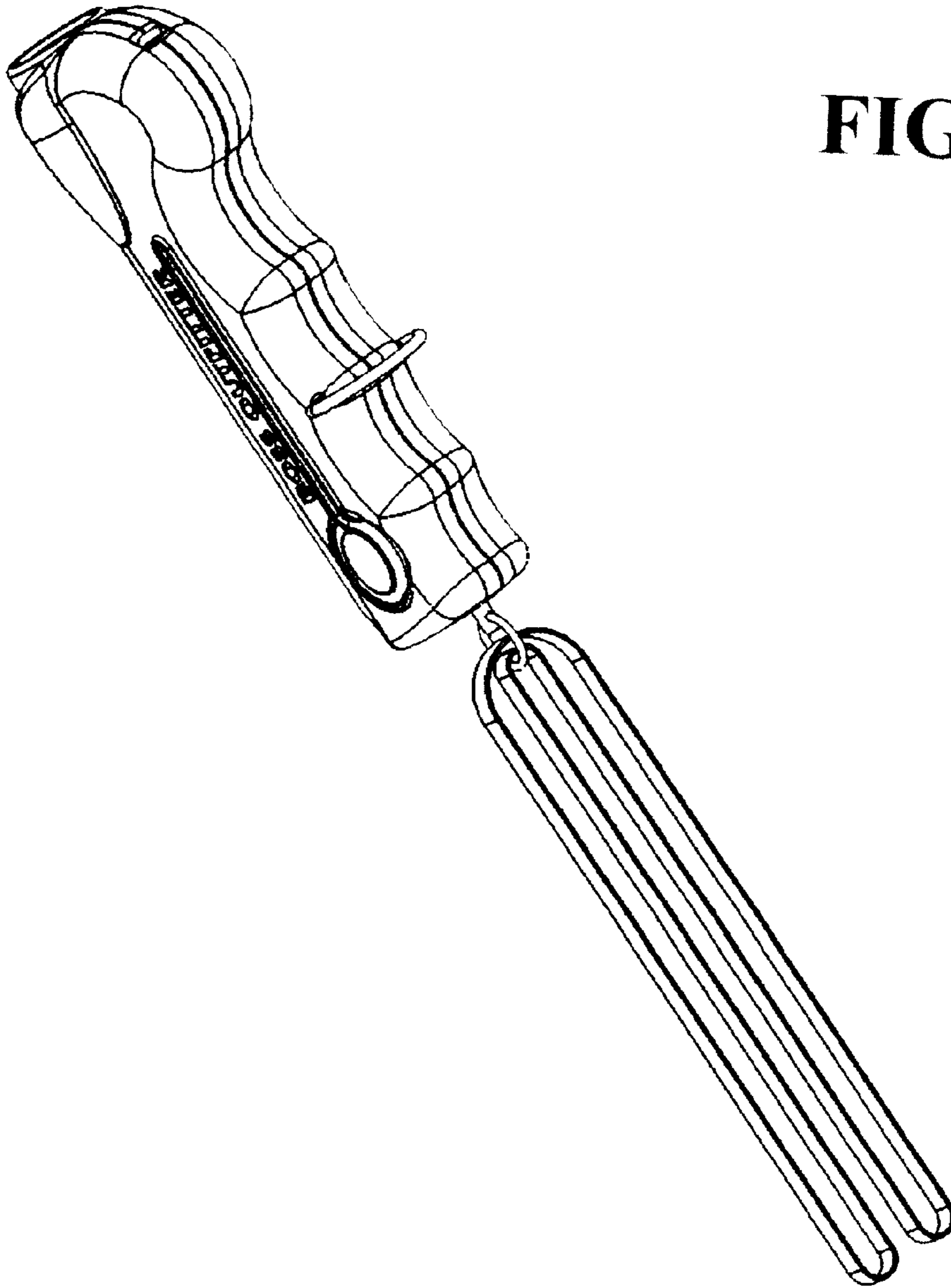




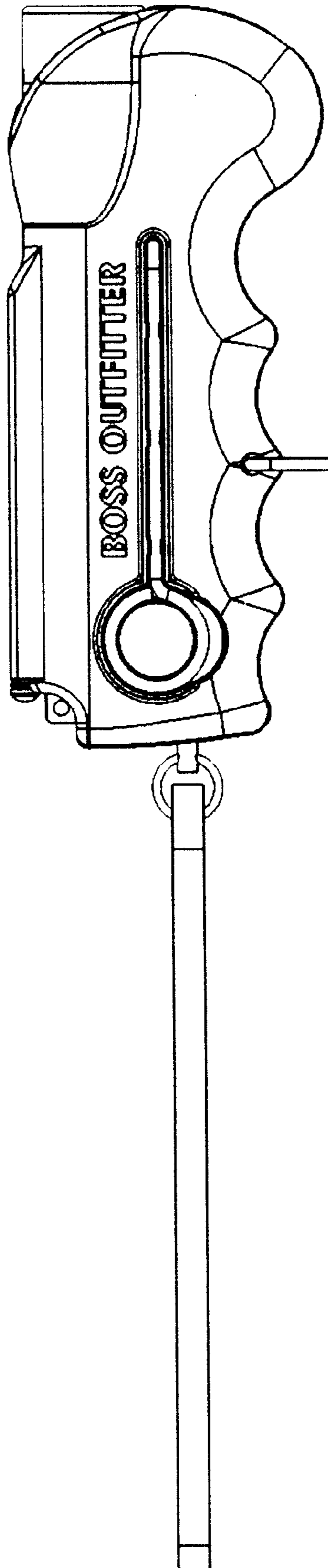
**FIG. 1**



**FIG. 2**

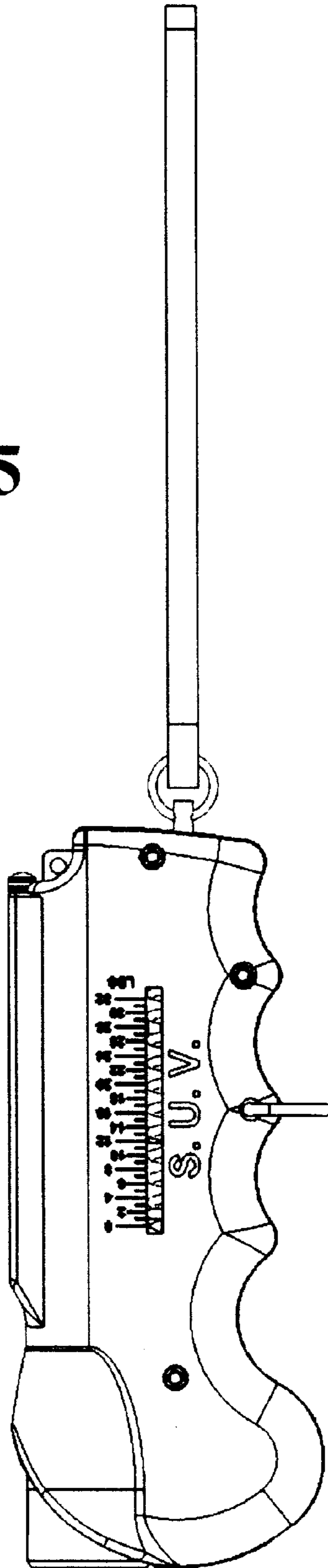


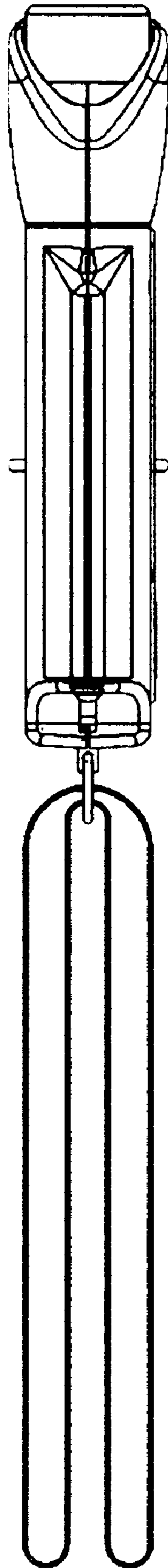
**FIG. 3**



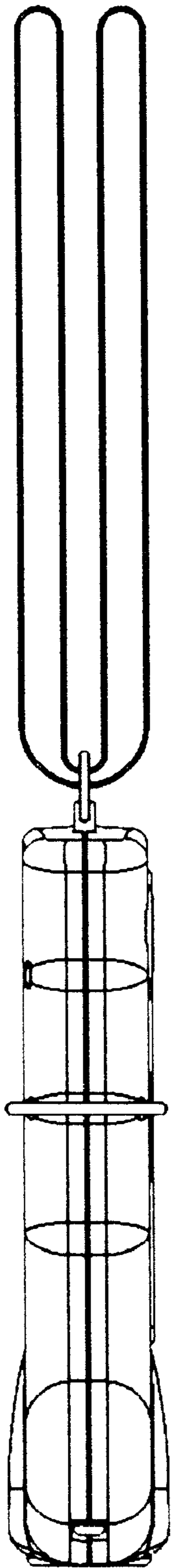
**FIG. 4**

**FIG. 5**





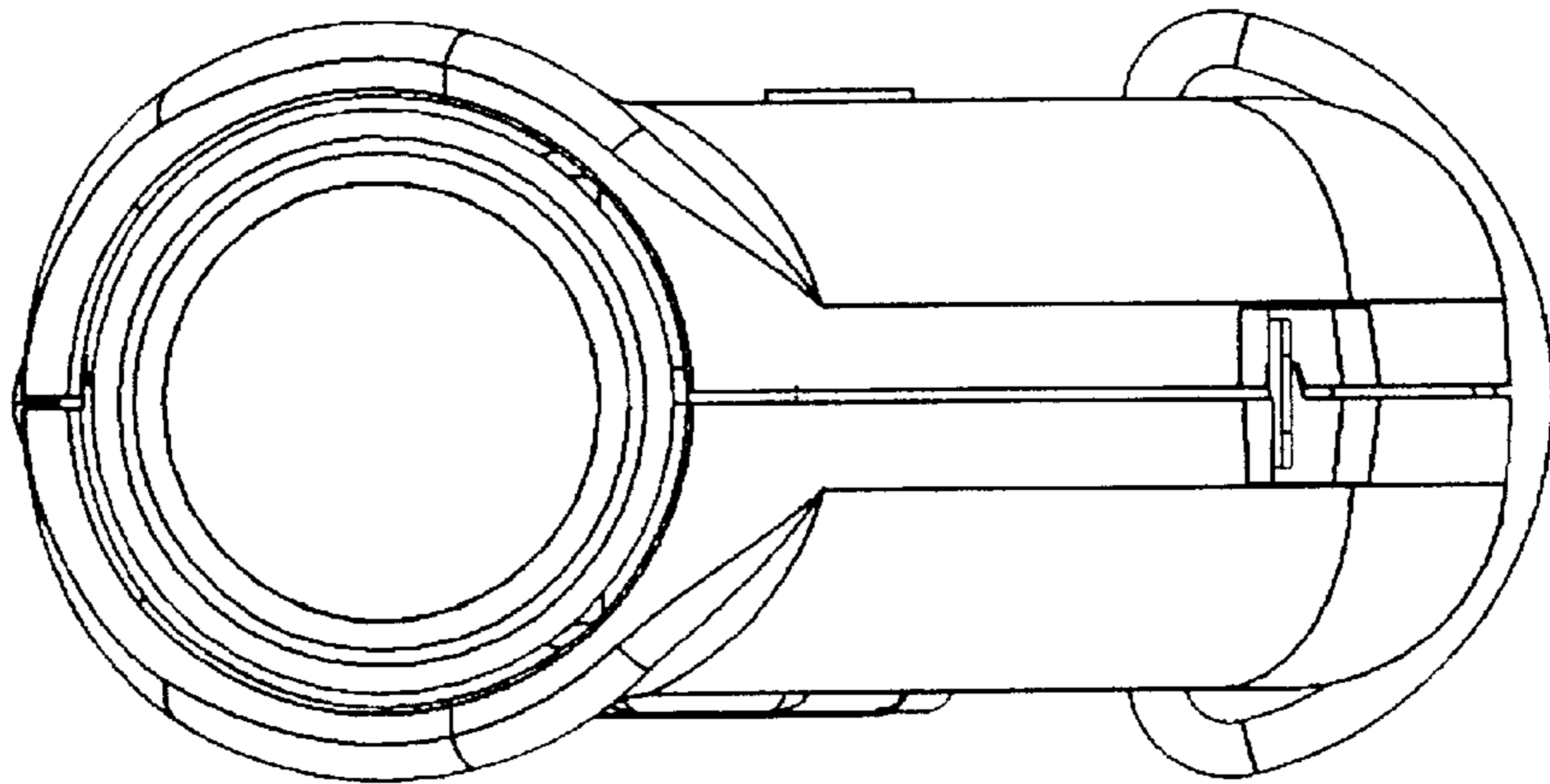
**FIG. 6**



**FIG. 7**



**FIG. 8**



**FIG. 9**

