



US00D479344S

(12) **United States Design Patent**  
**Kakuno et al.**

(10) **Patent No.:** **US D479,344 S**  
(45) **Date of Patent:** **\*\* Sep. 2, 2003**

(54) **FLUORESCENT LAMP**

(75) Inventors: **Yoshinori Kakuno**, Osaka (JP); **Shirou Iida**, Kyoto (JP); **Akiko Nakanishi**, Osaka (JP)

(73) Assignee: **Matsushita Electric Industrial Co., Ltd.**, Osaka (JP)

(\*\*) Term: **14 Years**

(21) Appl. No.: **29/170,722**

(22) Filed: **Nov. 8, 2002**

(30) **Foreign Application Priority Data**

May 10, 2002 (JP) ..... 2002-012448

(51) **LOC (7) Cl.** ..... **26-04**

(52) **U.S. Cl.** ..... **D26/3**

(58) **Field of Search** ..... D26/1, 2, 3, 4,  
D26/26; 313/313, 315, 317, 318, 493; 315/52,  
53, 56, 57, 58; 362/216, 222, 310

(56) **References Cited**

**U.S. PATENT DOCUMENTS**

D437,946 S 2/2001 Choi

D447,580 S \* 9/2001 Kim ..... D26/3  
D448,502 S 9/2001 Choi  
D462,464 S \* 9/2002 Yeh ..... D26/3  
D471,653 S \* 3/2003 Lin et al. .... D26/3

\* cited by examiner

*Primary Examiner*—Marcus A. Jackson  
(74) *Attorney, Agent, or Firm*—Christensen O'Connor Johnson Kindness PLLC

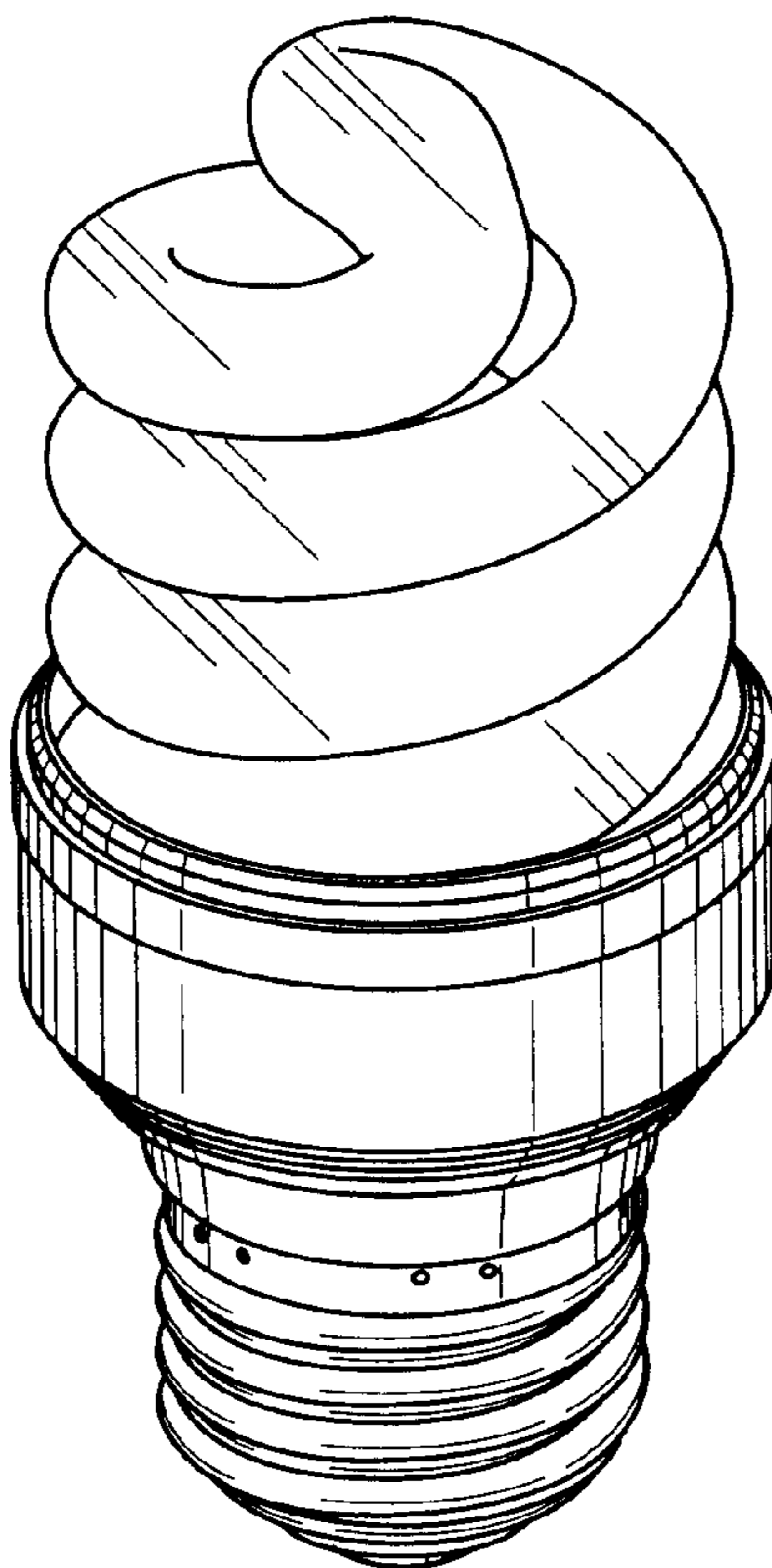
(57) **CLAIM**

The ornamental design for a fluorescent lamp, as shown and described.

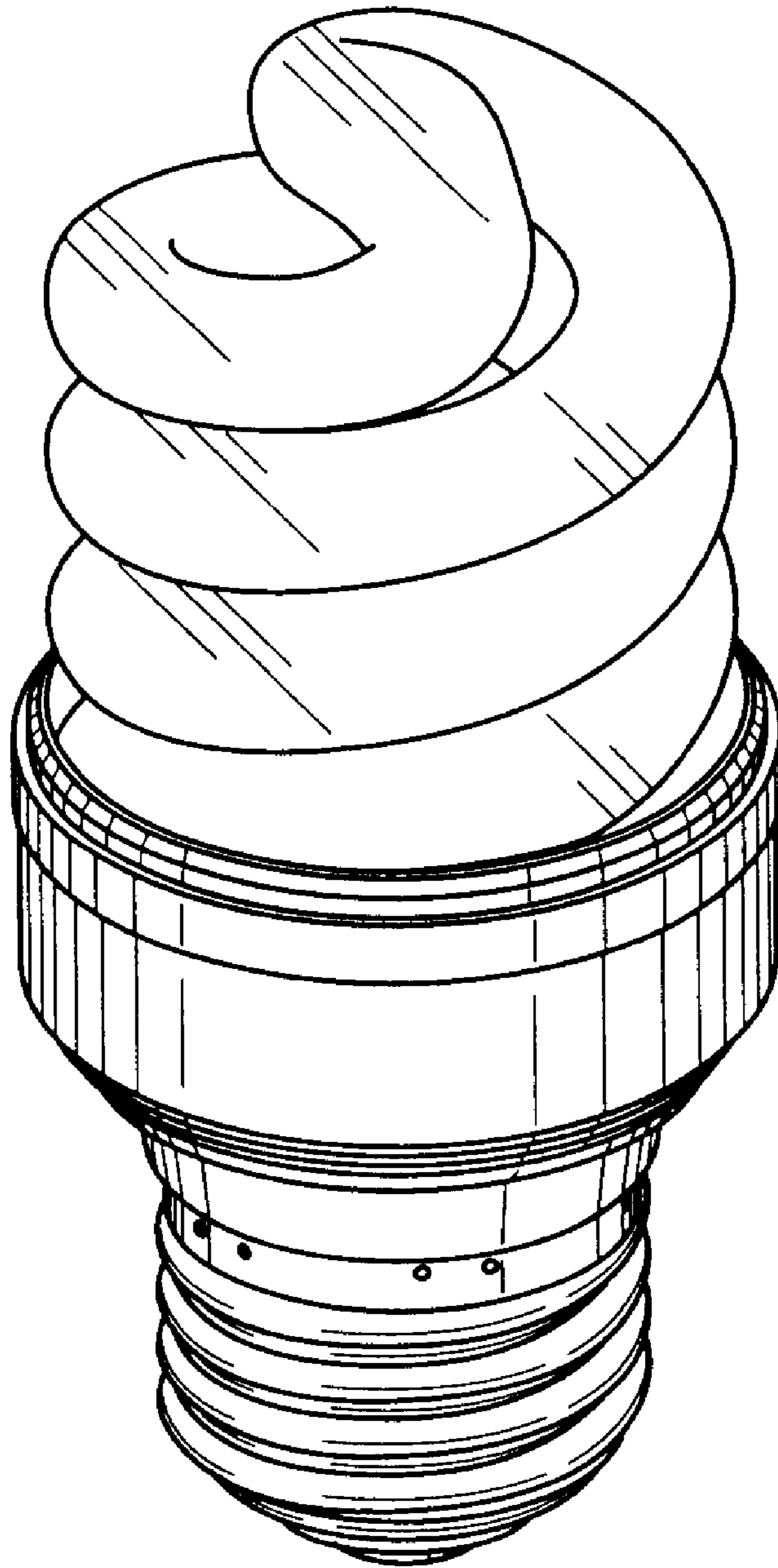
**DESCRIPTION**

FIG. 1 is a perspective view of the top, front and right side of a fluorescent lamp showing our new design;  
FIG. 2 is a front view thereof;  
FIG. 3 is a rear view thereof;  
FIG. 4 is a left side view thereof;  
FIG. 5 is a right side view thereof;  
FIG. 6 is a top plan view thereof; and,  
FIG. 7 is a bottom view thereof.

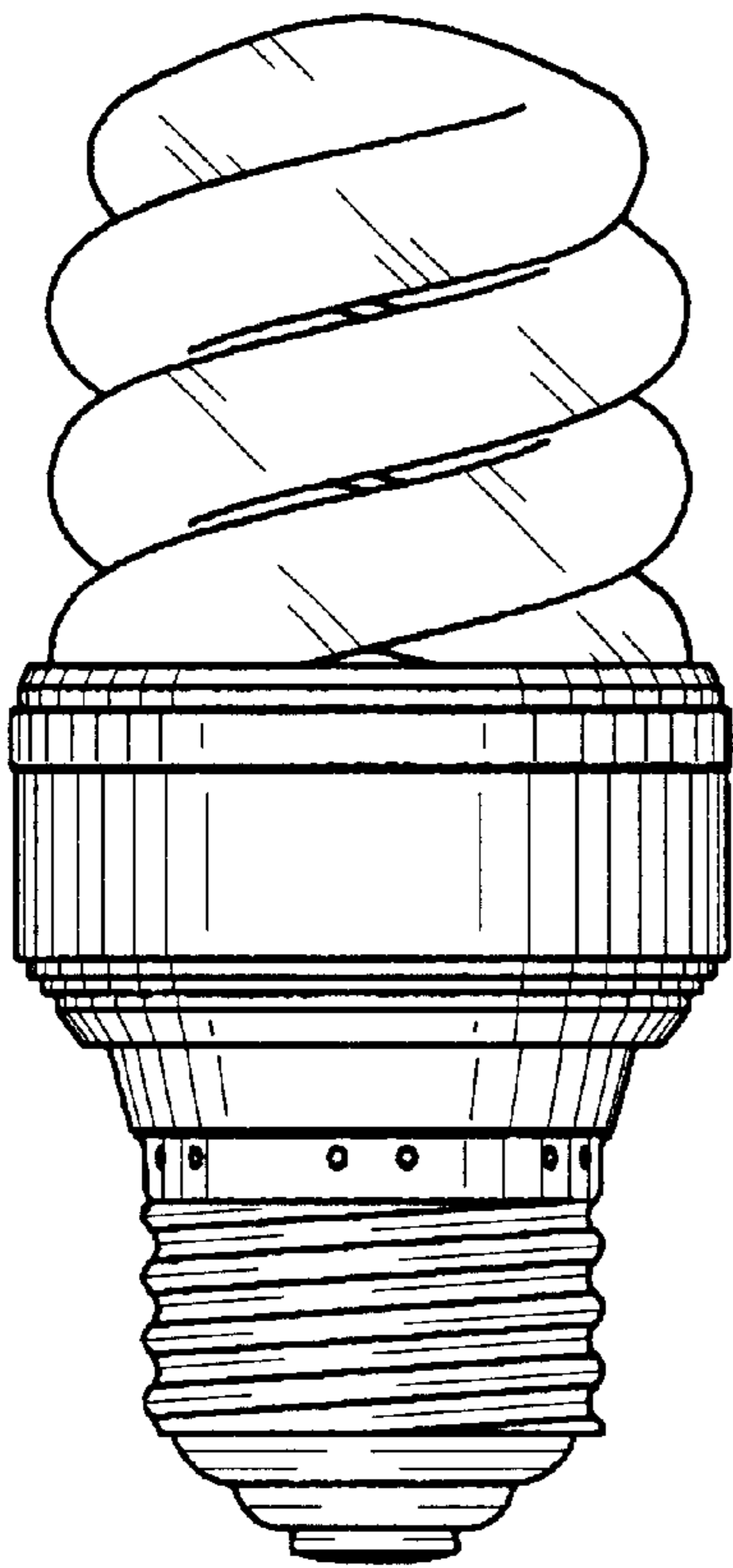
**1 Claim, 4 Drawing Sheets**



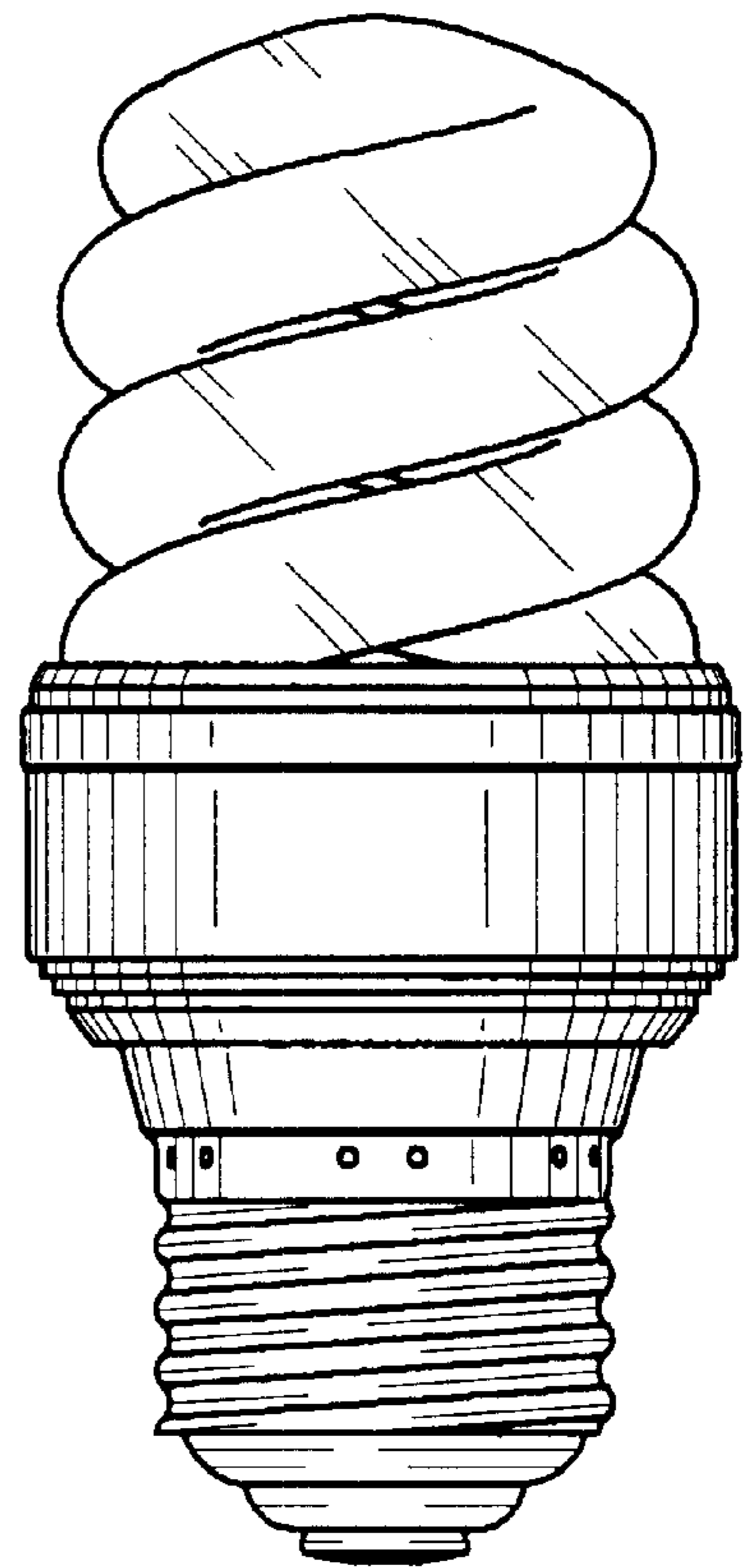
*FIG. 1*



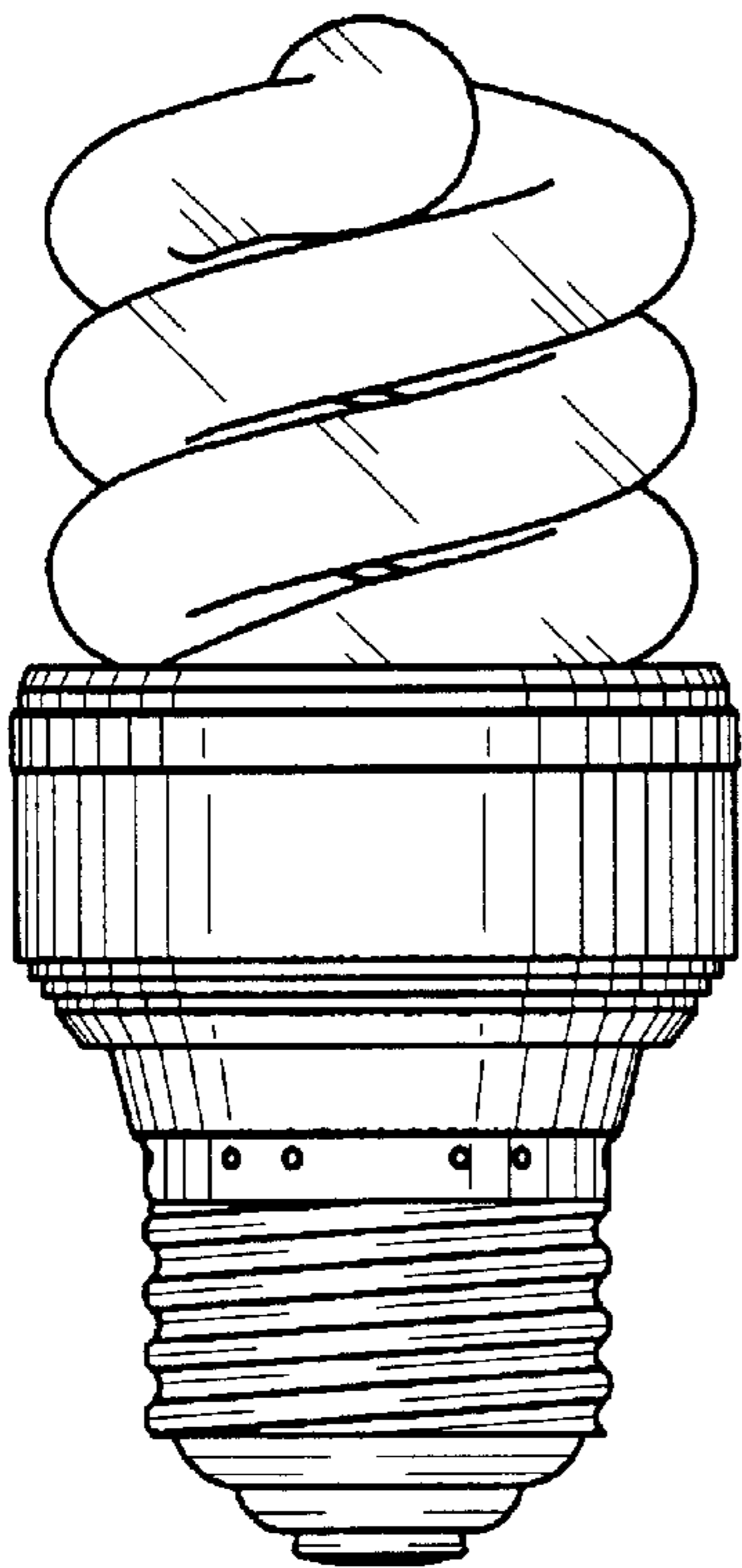
*FIG. 2*



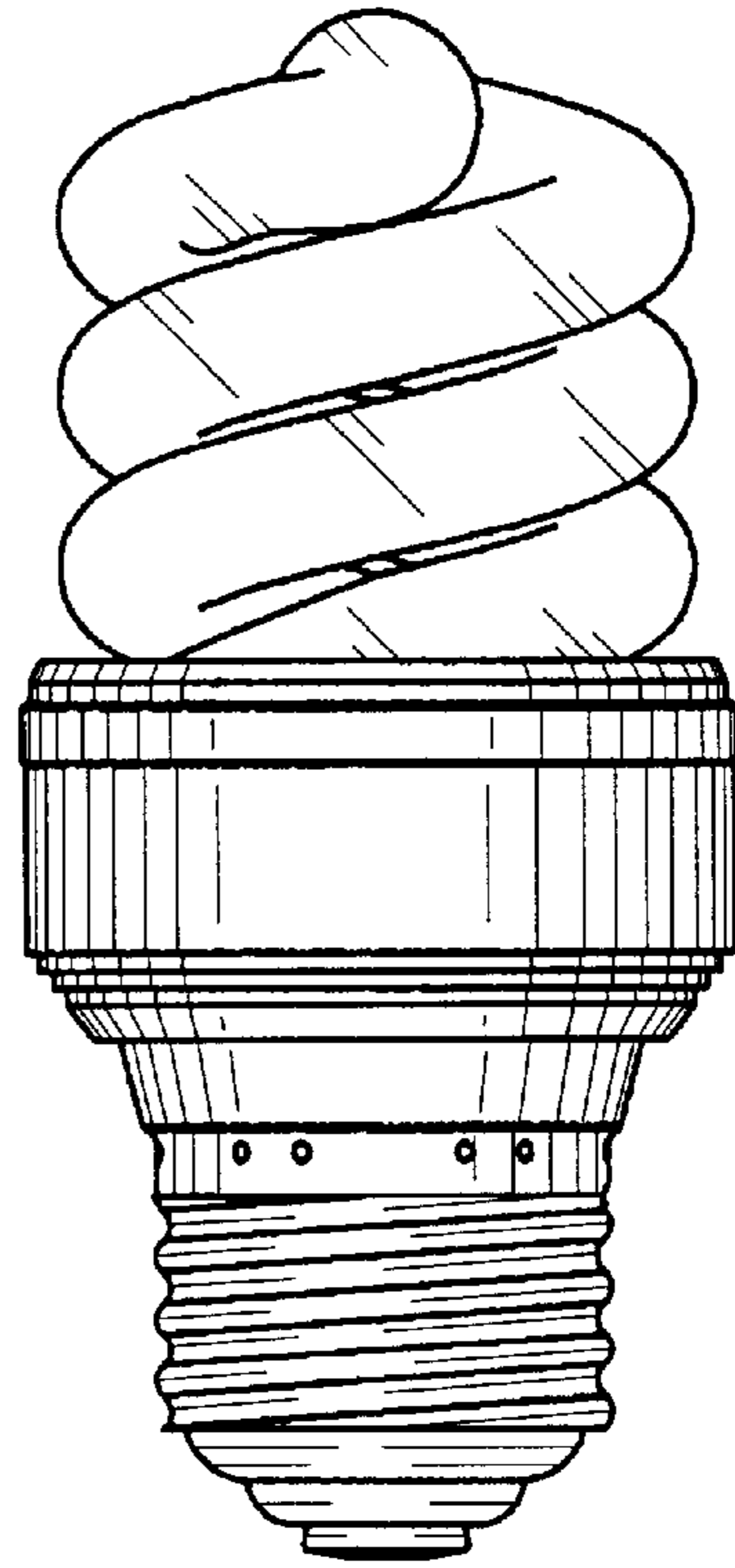
*FIG. 3*



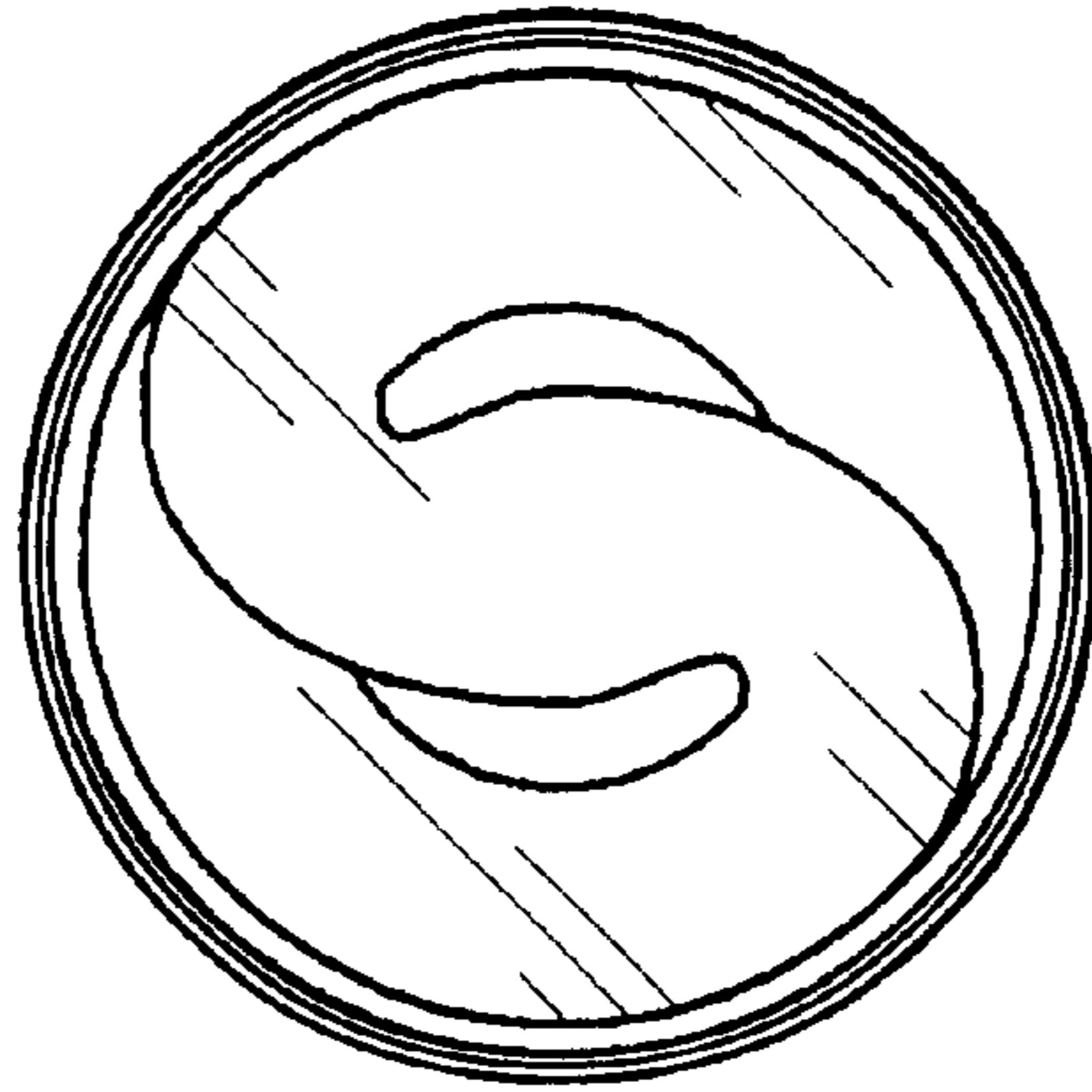
*FIG. 4*



*FIG. 5*



*FIG. 6*



*FIG. 7*

