



US00D479343S

(12) **United States Design Patent**  
**Wagg**

(10) **Patent No.:** **US D479,343 S**

(45) **Date of Patent:** **\*\* Sep. 2, 2003**

(54) **DECORATIVE YARD POND INTERLOCKING EDGING SEGMENT**

5,788,424 A \* 8/1998 Torch ..... 405/286  
D403,080 S \* 12/1998 Mignone, Jr. .... D25/2  
6,539,684 B1 \* 4/2003 Graham ..... 52/609

(76) **Inventor:** **Stephen Wagg**, 168 Marlborough Rd.,  
Romford, Essex (GB), RM7-8AL

\* cited by examiner

(\*\*) **Term:** **14 Years**

*Primary Examiner*—Louis S. Zarfaz  
*Assistant Examiner*—Robert A. Delehanty  
(74) *Attorney, Agent, or Firm*—Donald R. Schoonover

(21) **Appl. No.:** **29/172,712**

(22) **Filed:** **Dec. 17, 2002**

(57) **CLAIM**

(51) **LOC (7) Cl.** ..... **25-01**

I claim the ornamental design for a decorative yard pond interlocking edging segment, as shown and described.

(52) **U.S. Cl.** ..... **D25/113; D25/2**

(58) **Field of Search** ..... D25/113–118,  
D25/2; D21/484–485, 490, 500–503; 405/16,  
284; 52/102, 596–612

**DESCRIPTION**

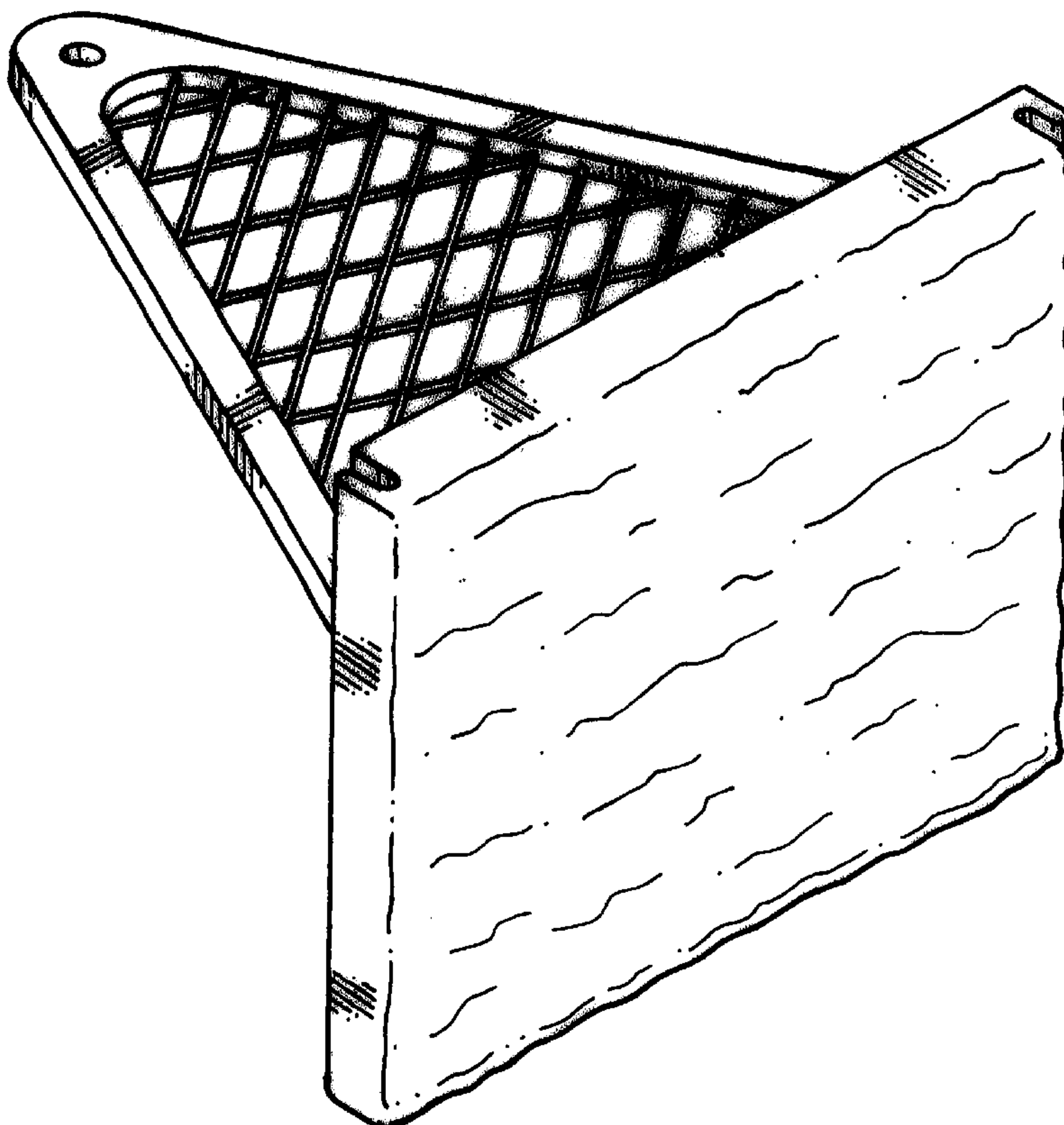
(56) **References Cited**

**U.S. PATENT DOCUMENTS**

2,012,990 A	9/1935	Choate	
3,298,038 A *	1/1967	O'Connell et al. ....	D25/2 X
3,387,786 A	6/1968	Rynberk	
3,877,236 A *	4/1975	O'Neill et al. ....	D25/113 X
4,052,791 A	10/1977	Anesi	
4,644,685 A	2/1987	Tisbo et al.	
4,950,519 A	8/1990	Huang	
5,040,614 A	8/1991	Nash	
5,438,804 A	8/1995	Reum et al.	
5,524,399 A	6/1996	Reum et al.	
5,553,435 A *	9/1996	Eickhoff .....	52/603 X

FIG. 1 is a perspective view of a decorative yard pond interlocking edging segment showing my new design; FIG. 2 is a front elevational view thereof; FIG. 3 is a rear elevational view thereof; FIG. 4 is a left side elevational view thereof; FIG. 5 is a right side elevational view thereof; FIG. 6 is a top plan view thereof, the bottom plan view being a mirror image thereof; and, FIG. 7 is a perspective view of the decorative yard pond interlocking edging segment shown on a reduced scale in condition of use with a like segment thereof, the broken lines thereof and of environmental matter are for illustrative purposes only and form no part of the claimed design.

**1 Claim, 4 Drawing Sheets**



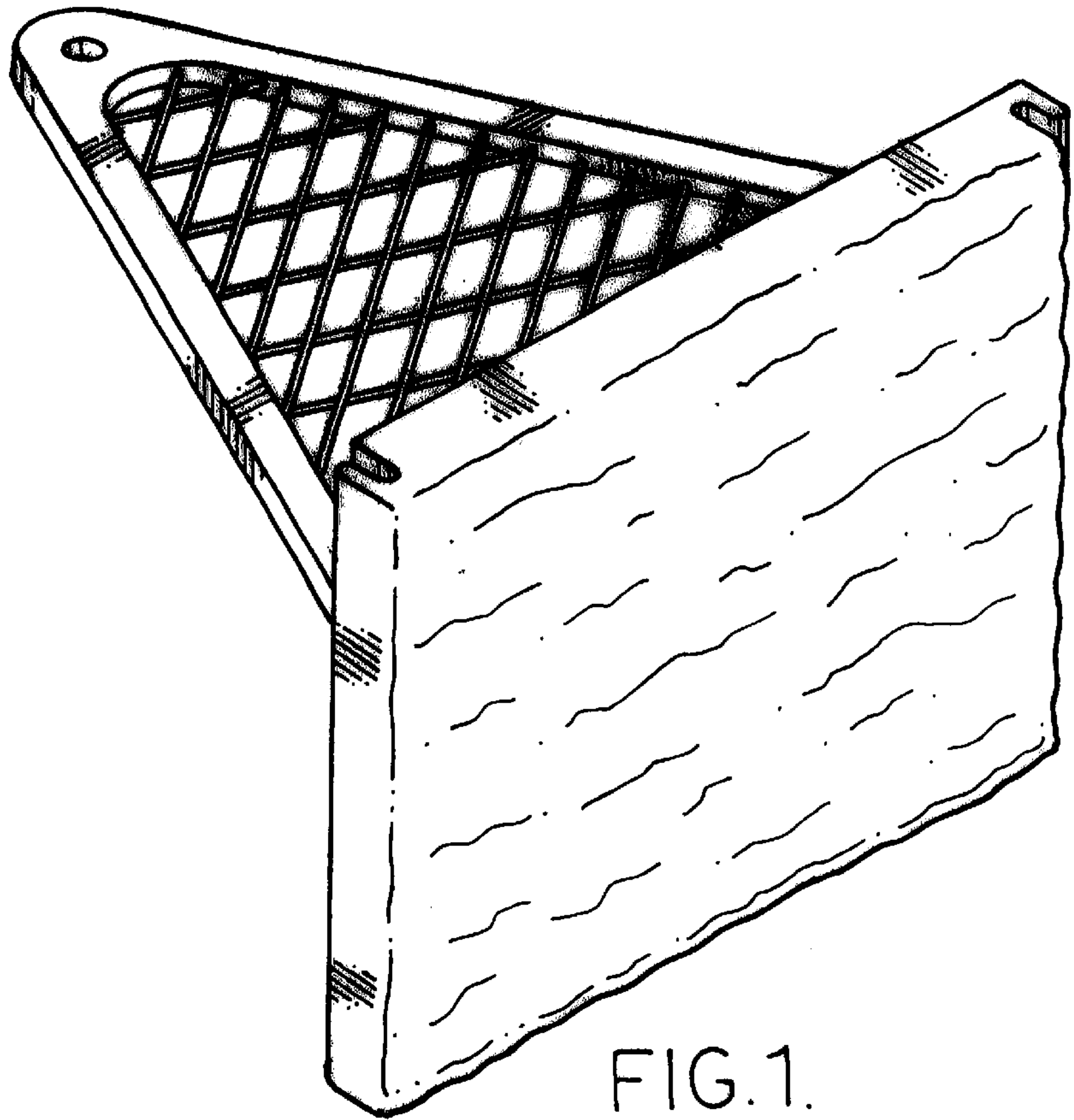


FIG. 1.

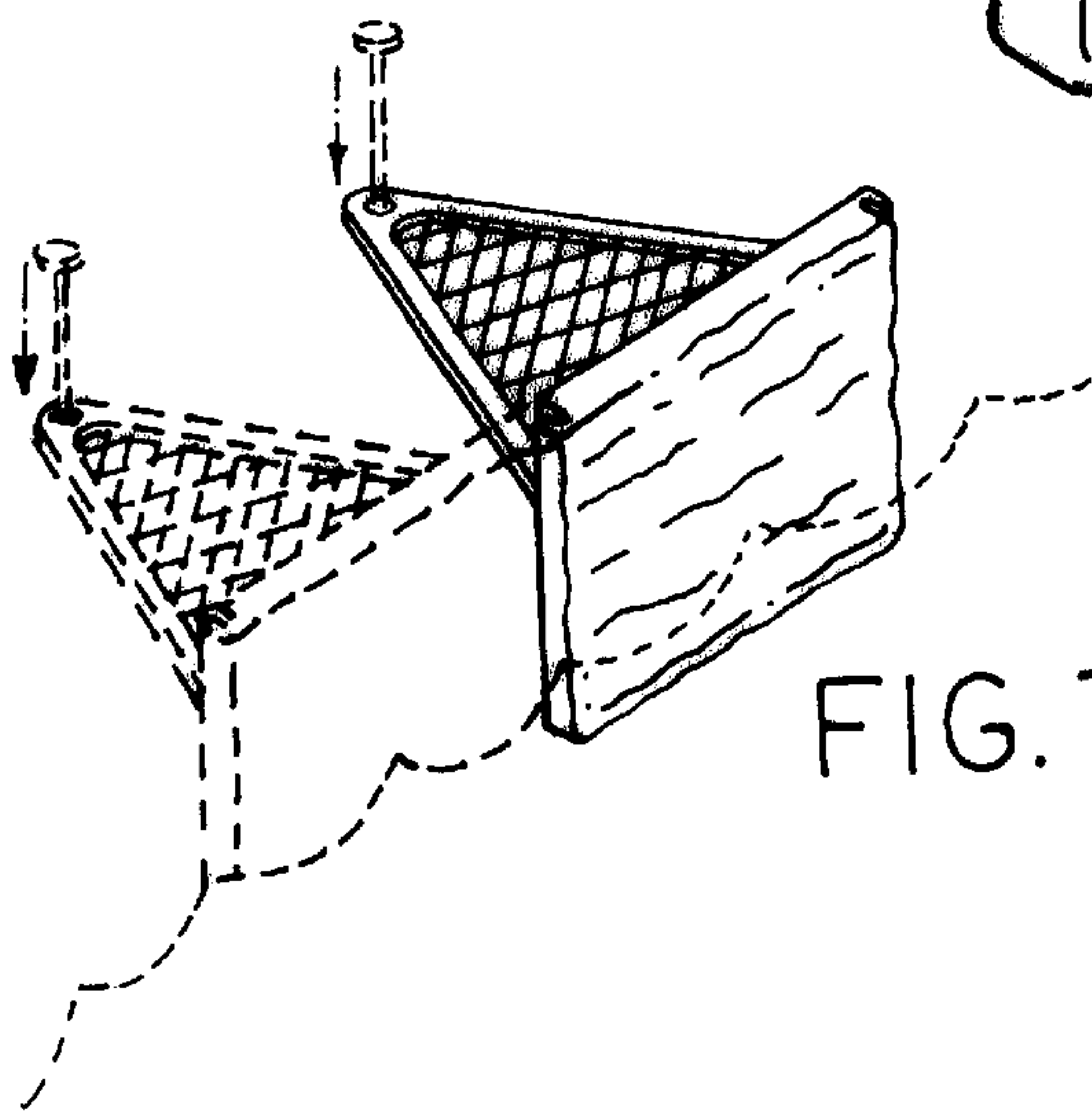


FIG. 7.

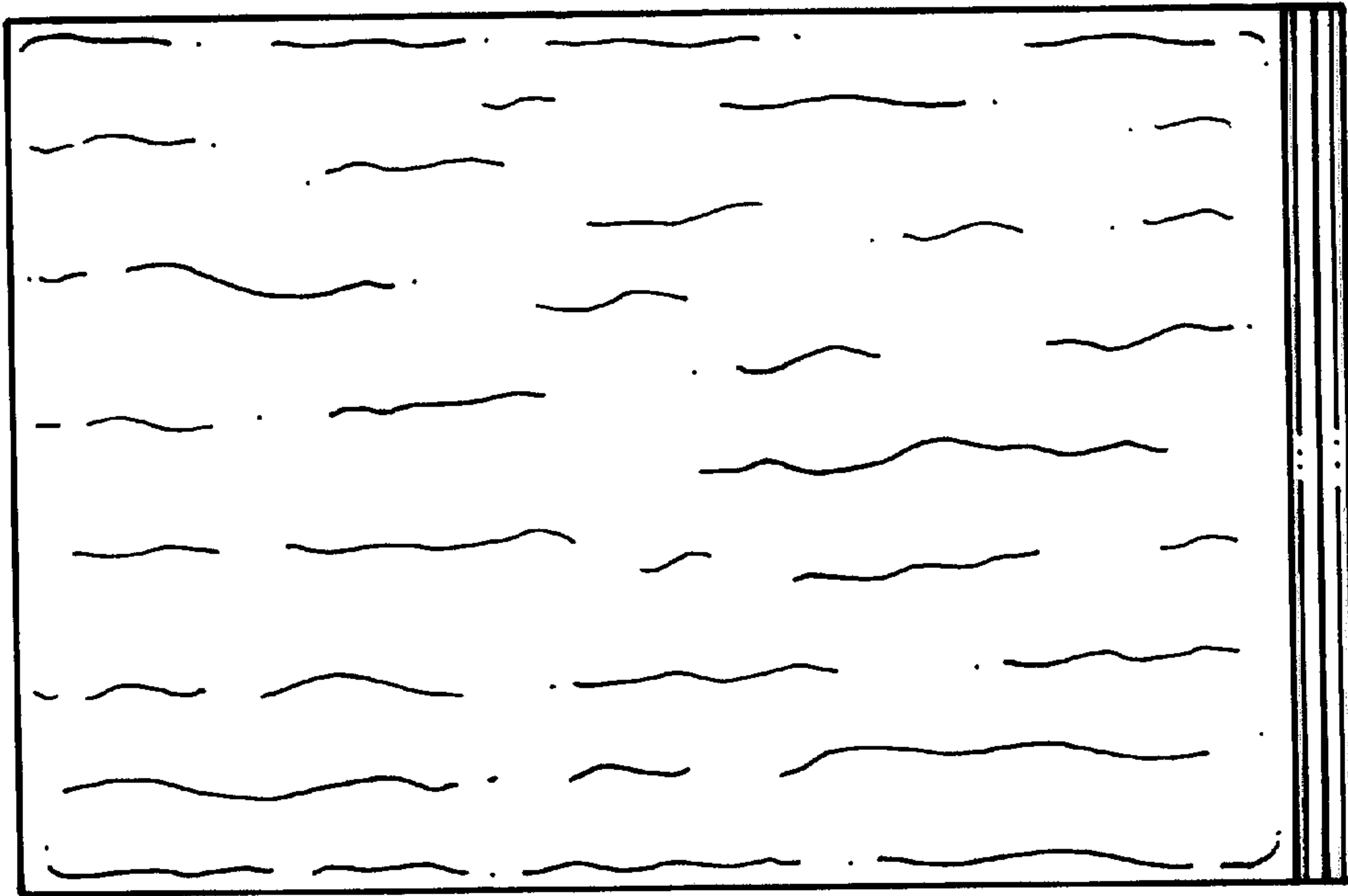


FIG. 2.

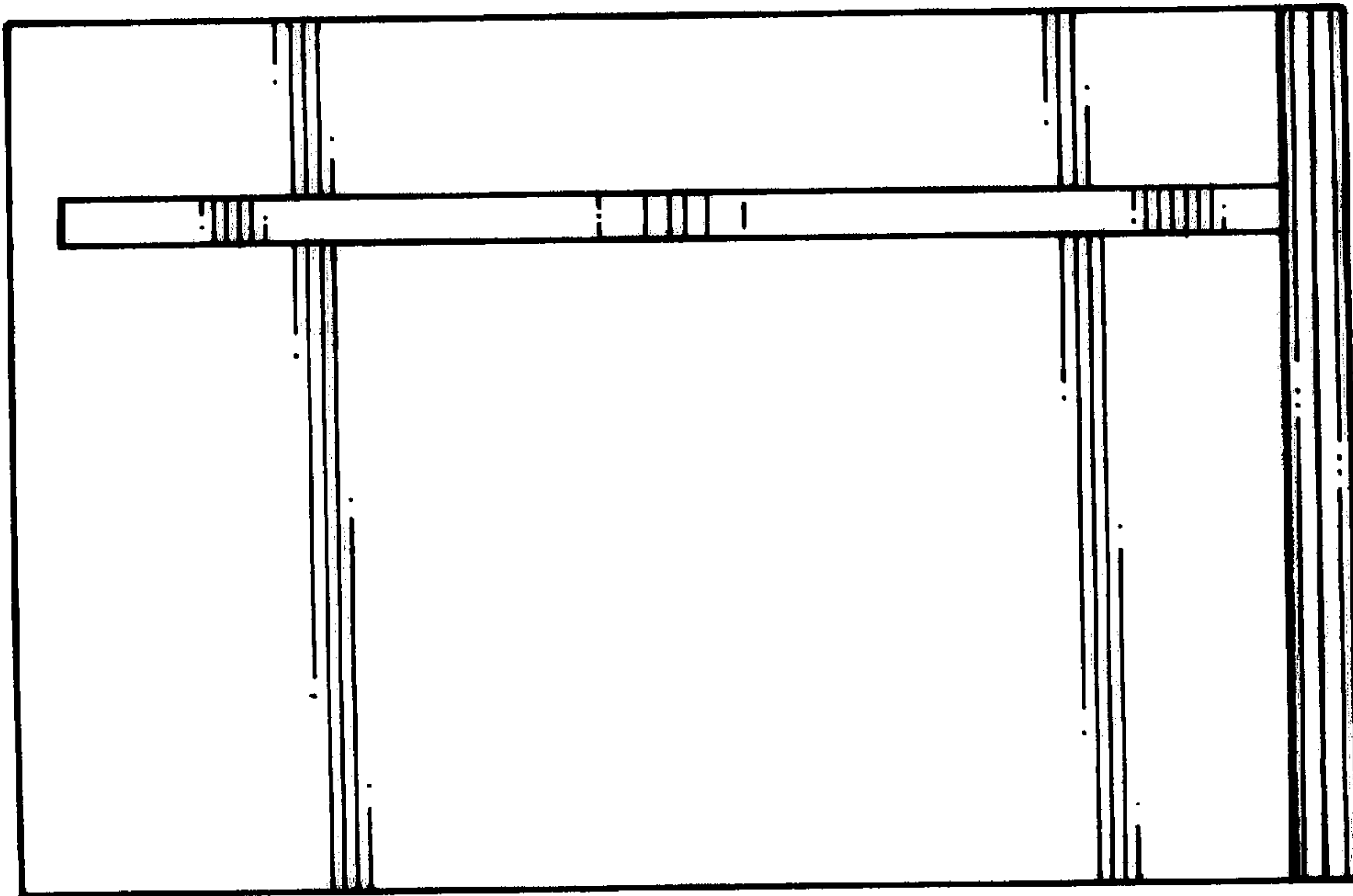


FIG. 3.

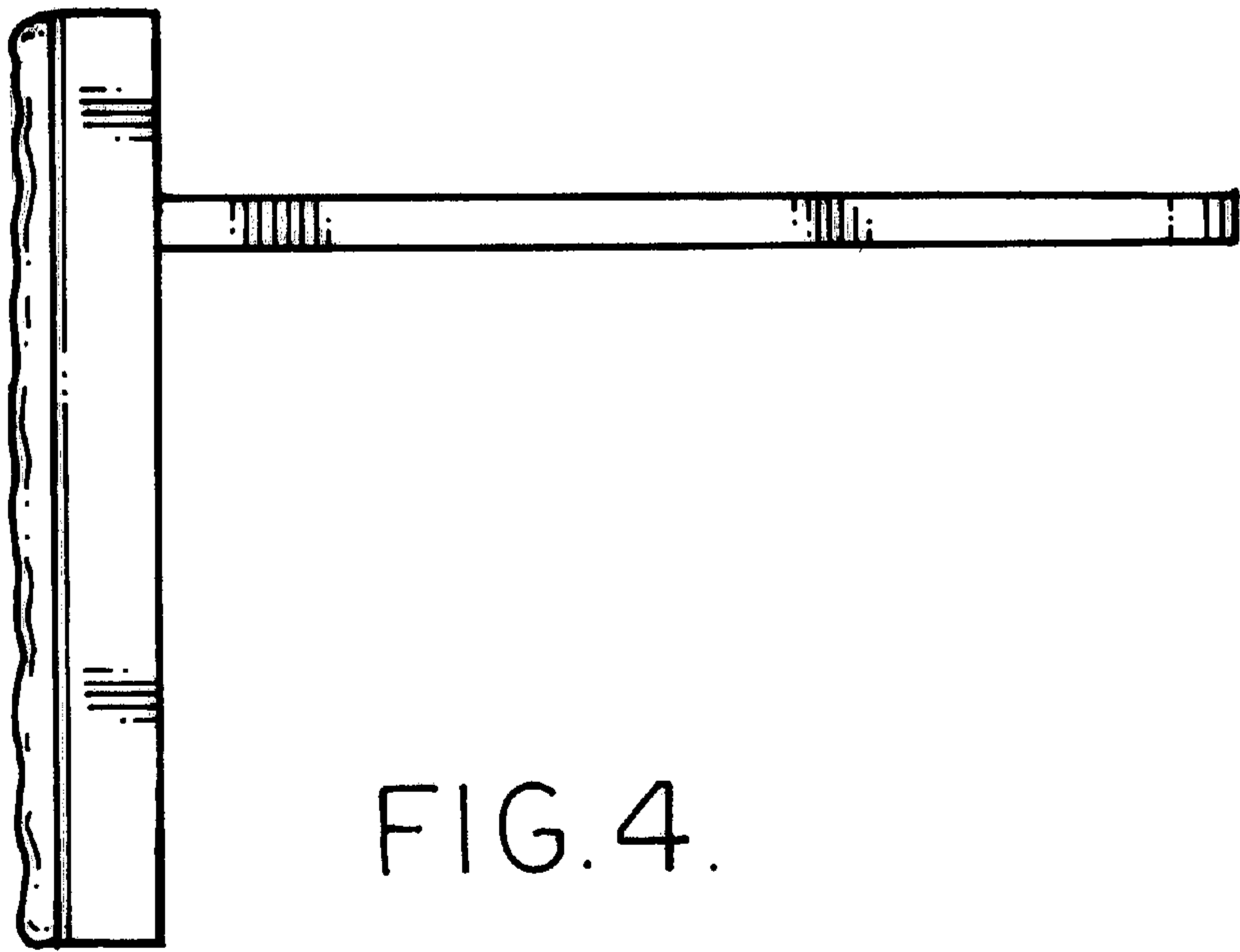


FIG. 4.

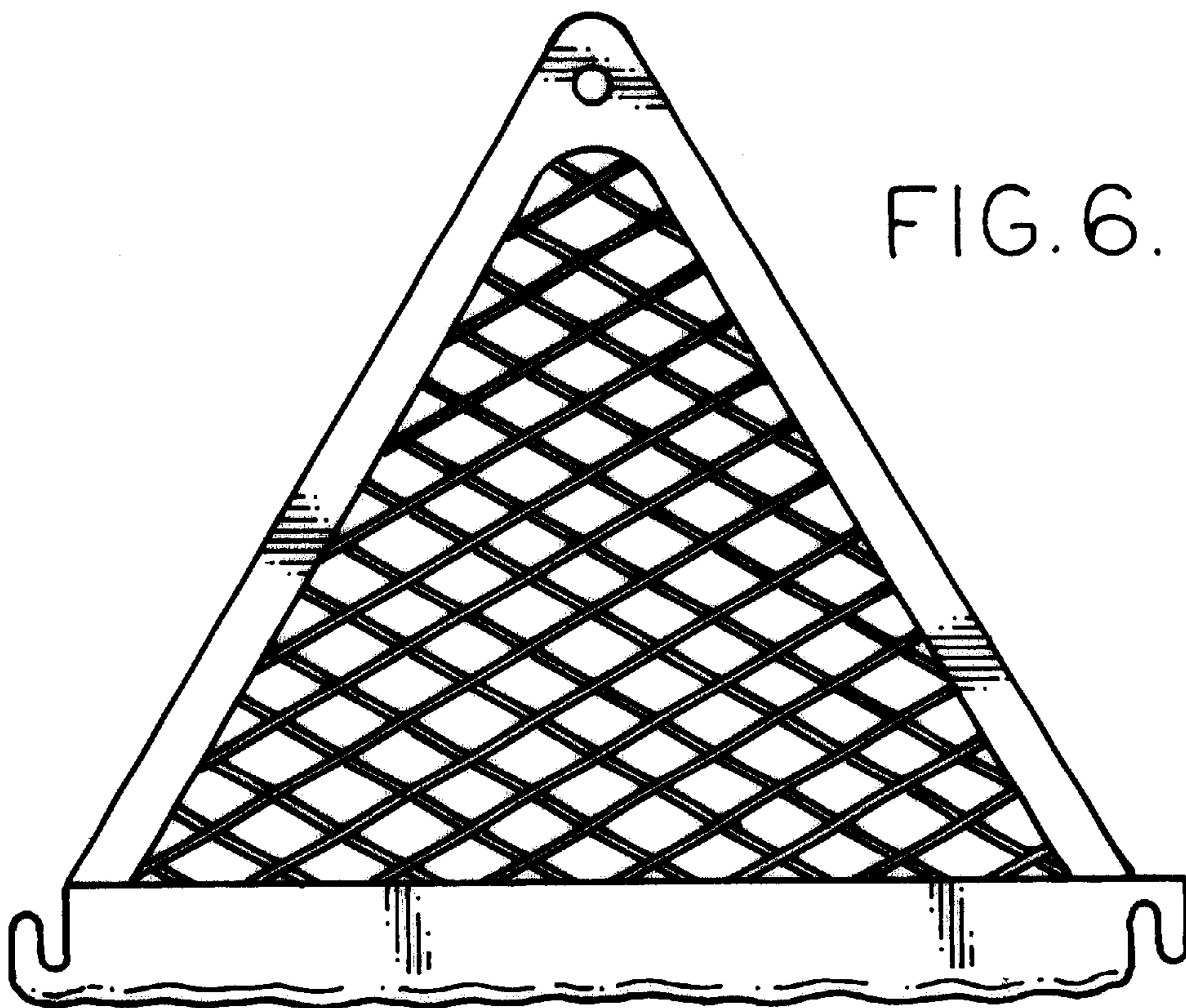


FIG. 6.

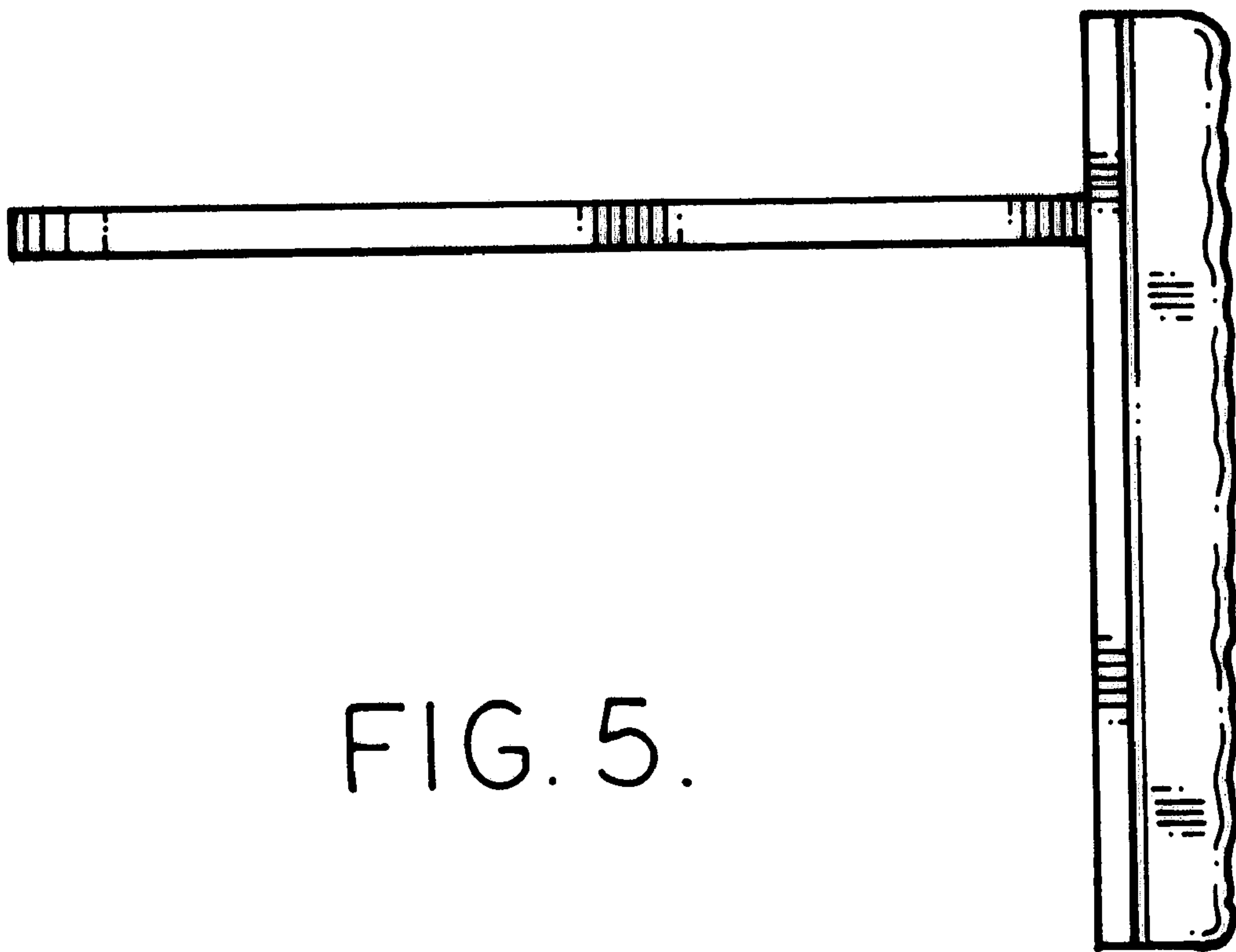


FIG. 5.