



US00D479341S

(12) **United States Design Patent**
Scullion et al.

(10) **Patent No.:** **US D479,341 S**

(45) **Date of Patent:** **** Sep. 2, 2003**

(54) **DECORATIVE LANDSCAPE EDGE BLOCK**

(75) Inventors: **Bret H. Scullion**, Southlake, TX (US);
Sam Chabrek, Lacombe, LA (US)

(73) Assignee: **Pavestone Company**, Dallas, TX (US)

(**) Term: **14 Years**

(21) Appl. No.: **29/163,476**

(22) Filed: **Jul. 3, 2002**

(51) **LOC (7) Cl.** **25-01**

(52) **U.S. Cl.** **D25/113**

(58) **Field of Search** D25/112-118,
D25/164; D21/484-486, 497, 499-505;
405/16, 284; 404/17, 27-31, 34, 37-42;
52/102, 600-602, 606-607, 608-609

(56) **References Cited**

U.S. PATENT DOCUMENTS

1,015,584 A *	1/1912 Powell	D25/113 X
6,102,374 A *	8/2000 Macri	52/102 X
D488,857	* 10/2001 Staten et al.	D25/113

* cited by examiner

Primary Examiner—Louis S. Zarfaz

Assistant Examiner—Robert A Delehanty

(74) *Attorney, Agent, or Firm*—Arthur I. Navarro

(57) **CLAIM**

The ornamental design for a decorative landscape edge block, as shown and described.

DESCRIPTION

Copyright ©2001 Pavestone Company. All of the material in this patent application is subject to copyright protection under the copyright laws of the United States and of other countries. As of the effective filing date of the present application, this material is protected as unpublished material. Permission to copy this material is hereby granted to the extent that the owner of the copyright has no objection to the facsimile or reproduction of the patent document or disclosure as it appears in the United States Patent and Trademark Office patent file or records. The copyright owner otherwise reserves all copyright rights whatsoever.

FIG. 1 is a perspective view of the preferred embodiment of the invention;

FIG. 2 is a top view of the preferred embodiment of the invention;

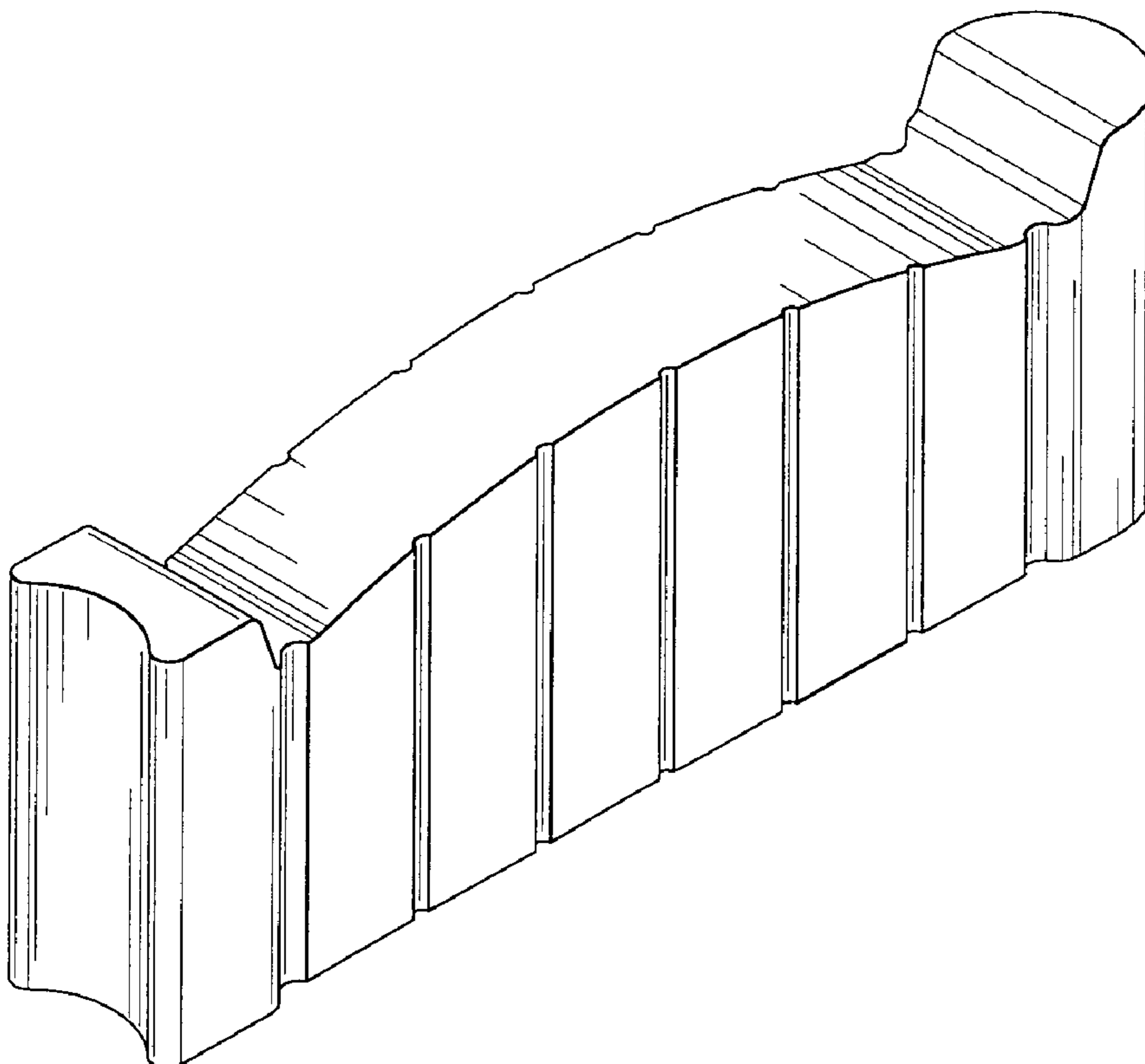
FIG. 3 is a front and rear view of the preferred embodiment of the invention;

FIG. 4 is a bottom view of the preferred embodiment of the invention;

FIG. 5 is a left side view of the preferred embodiment of the invention; and,

FIG. 6 is a right side view of the preferred embodiment of the invention.

1 Claim, 1 Drawing Sheet



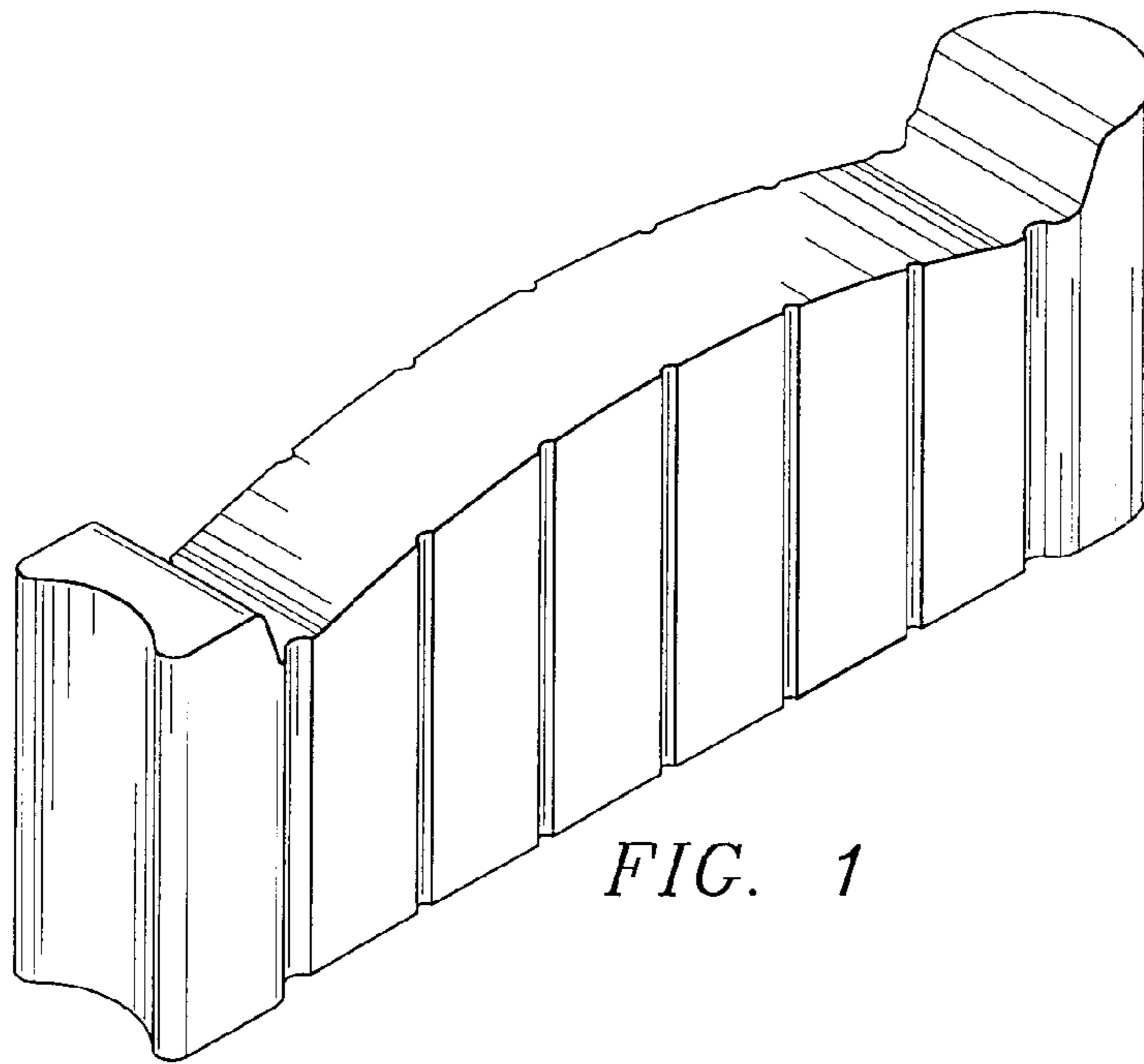


FIG. 1

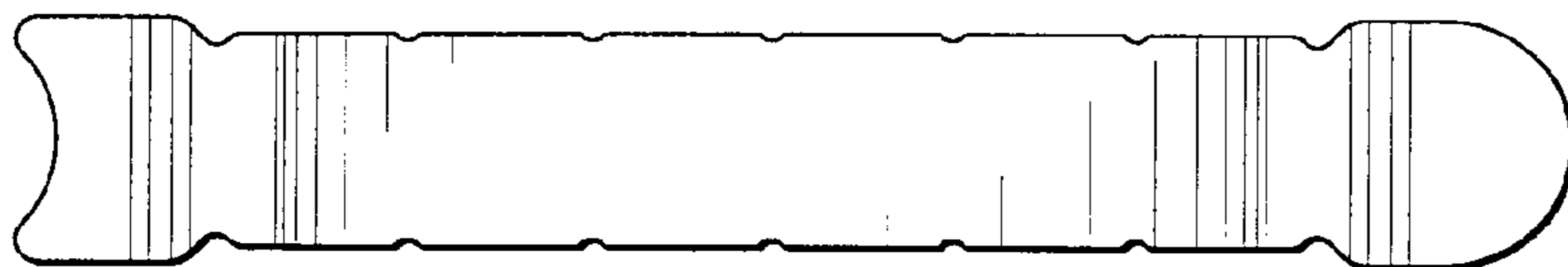


FIG. 2

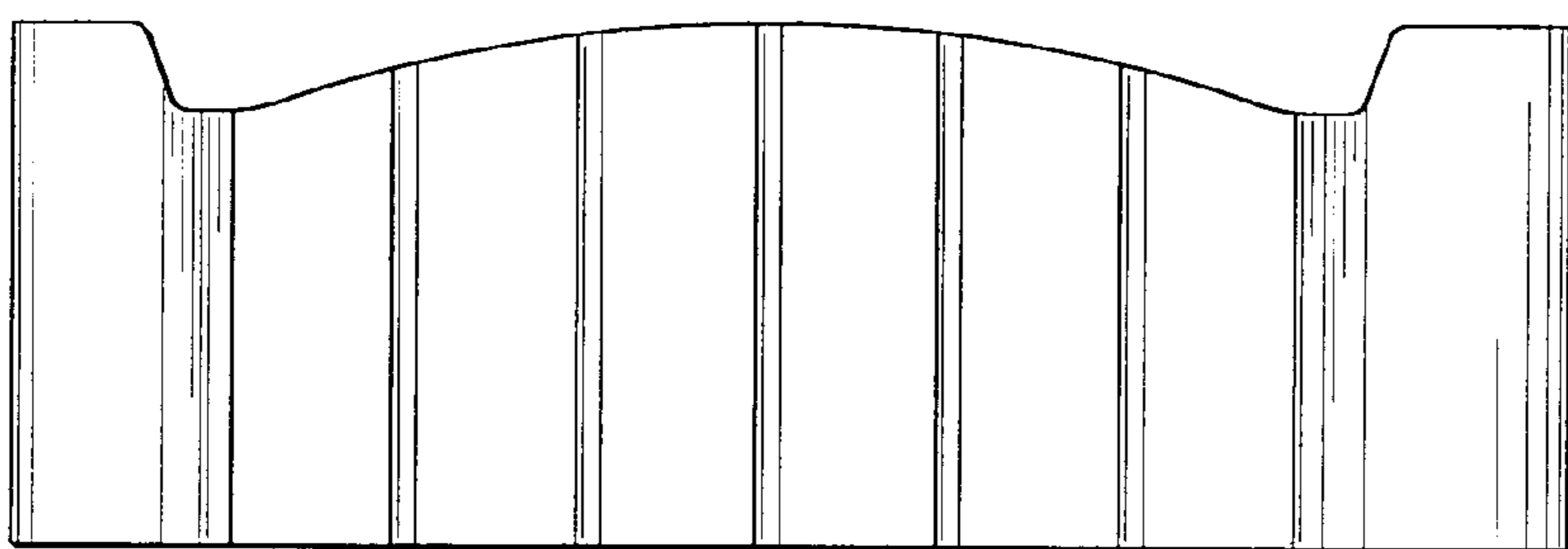


FIG. 3

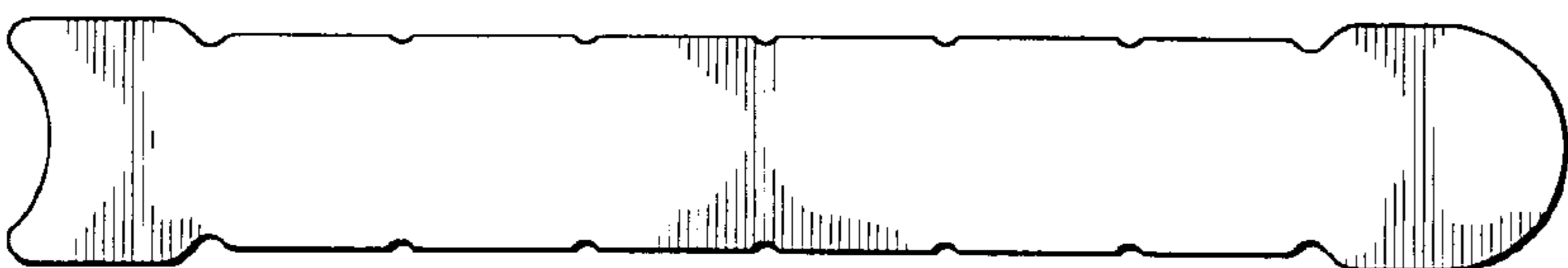


FIG. 4

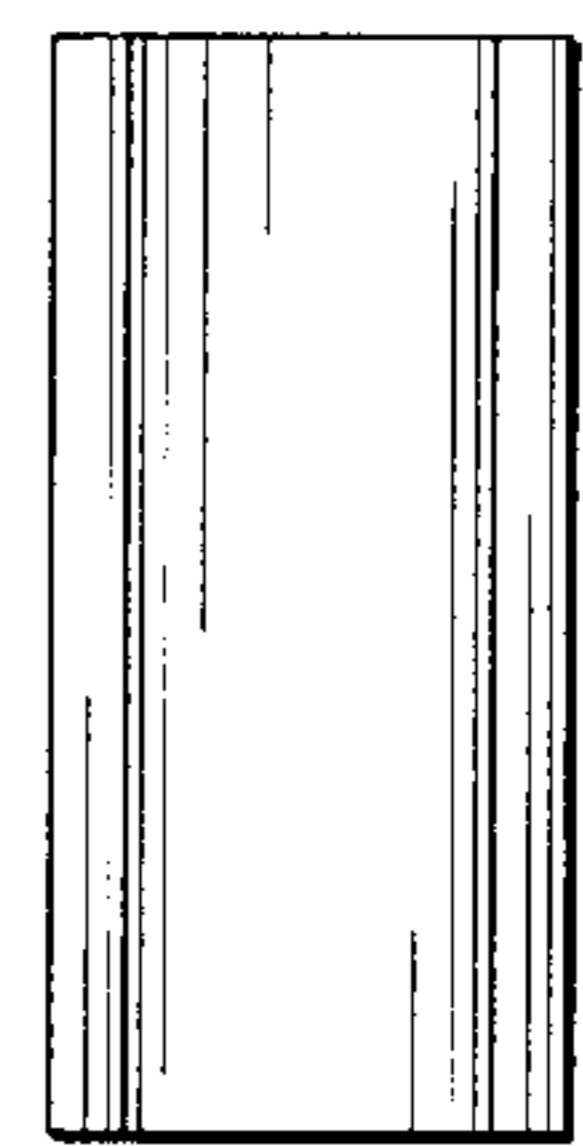


FIG. 5

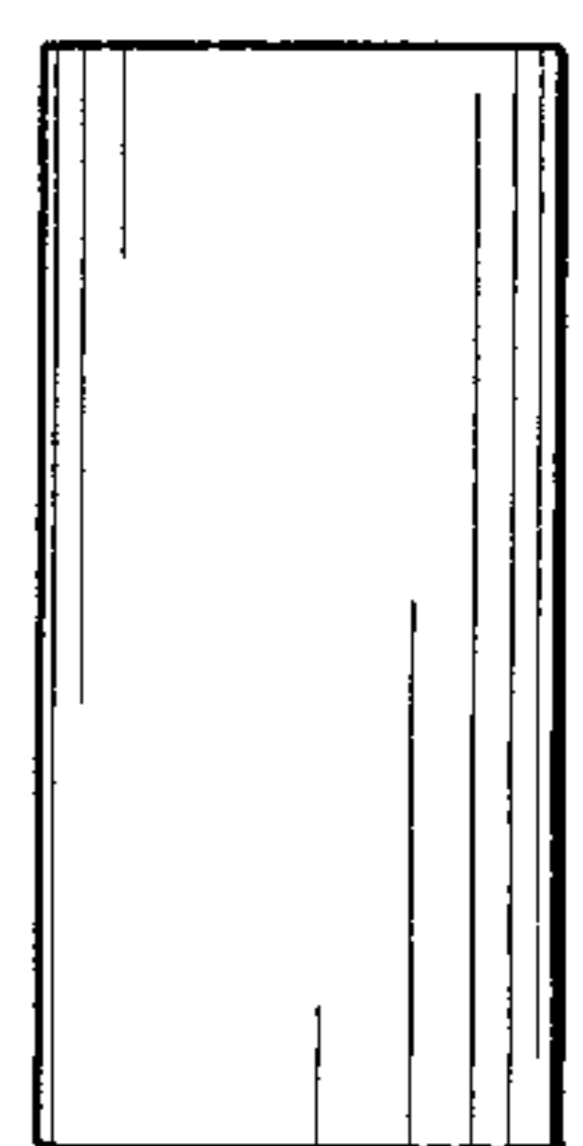


FIG. 6