



US00D479338S

(12) **United States Design Patent**
Hennessy et al.

(10) **Patent No.:** **US D479,338 S**

(45) **Date of Patent:** **** Sep. 2, 2003**

(54) **STEPS**

D399,975 S * 10/1998 Confer D25/62

(75) Inventors: **Thomas P. Hennessy**, Valrico, FL (US);
Kimberly M. Smoak, Melrose, FL (US)

* cited by examiner

Primary Examiner—Doris Clark

(74) *Attorney, Agent, or Firm*—David W. Pearce-Smith

(73) Assignee: **Alcoa Inc.**, Pittsburgh, PA (US)

(57) **CLAIM**

(**) Term: **14 Years**

The ornamental design for steps, as shown and described.

(21) Appl. No.: **29/173,165**

DESCRIPTION

(22) Filed: **Dec. 23, 2002**

FIG. 1 is a side perspective view of the steps of the present invention;

(51) **LOC (7) Cl.** **25-04**

(52) **U.S. Cl.** **D25/63; D25/62**

FIG. 2 is a back view thereof;

(58) **Field of Search** D25/62, 65, 63;

FIG. 3 is a left side view thereof;

52/182, 191, 188, 189, 190

FIG. 4 is a top view thereof;

FIG. 5 is a bottom view thereof; and,

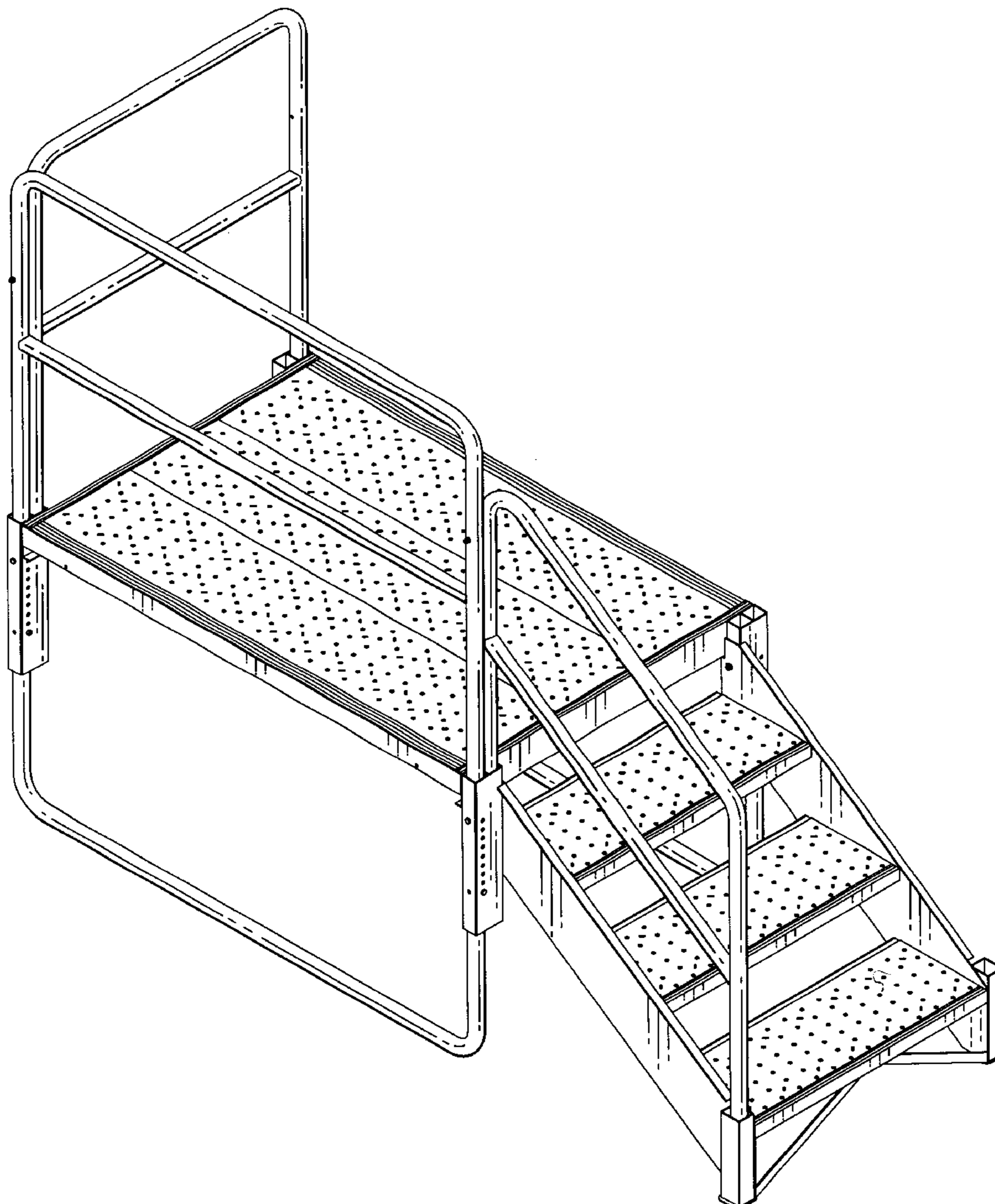
FIG. 6 is a right side view thereof.

(56) **References Cited**

U.S. PATENT DOCUMENTS

5,369,921 A * 12/1994 Glenn 51/182

1 Claim, 6 Drawing Sheets



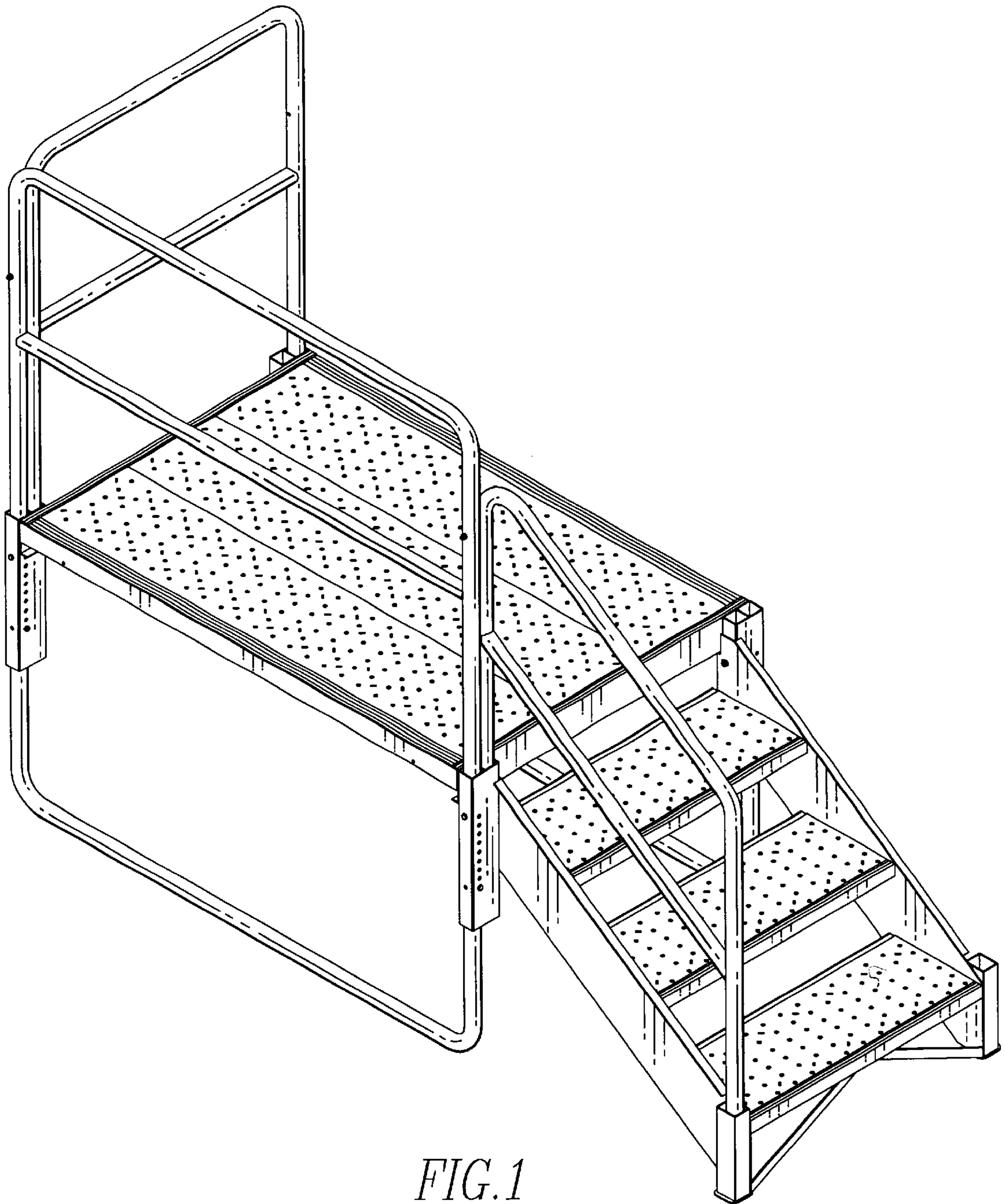


FIG. 1

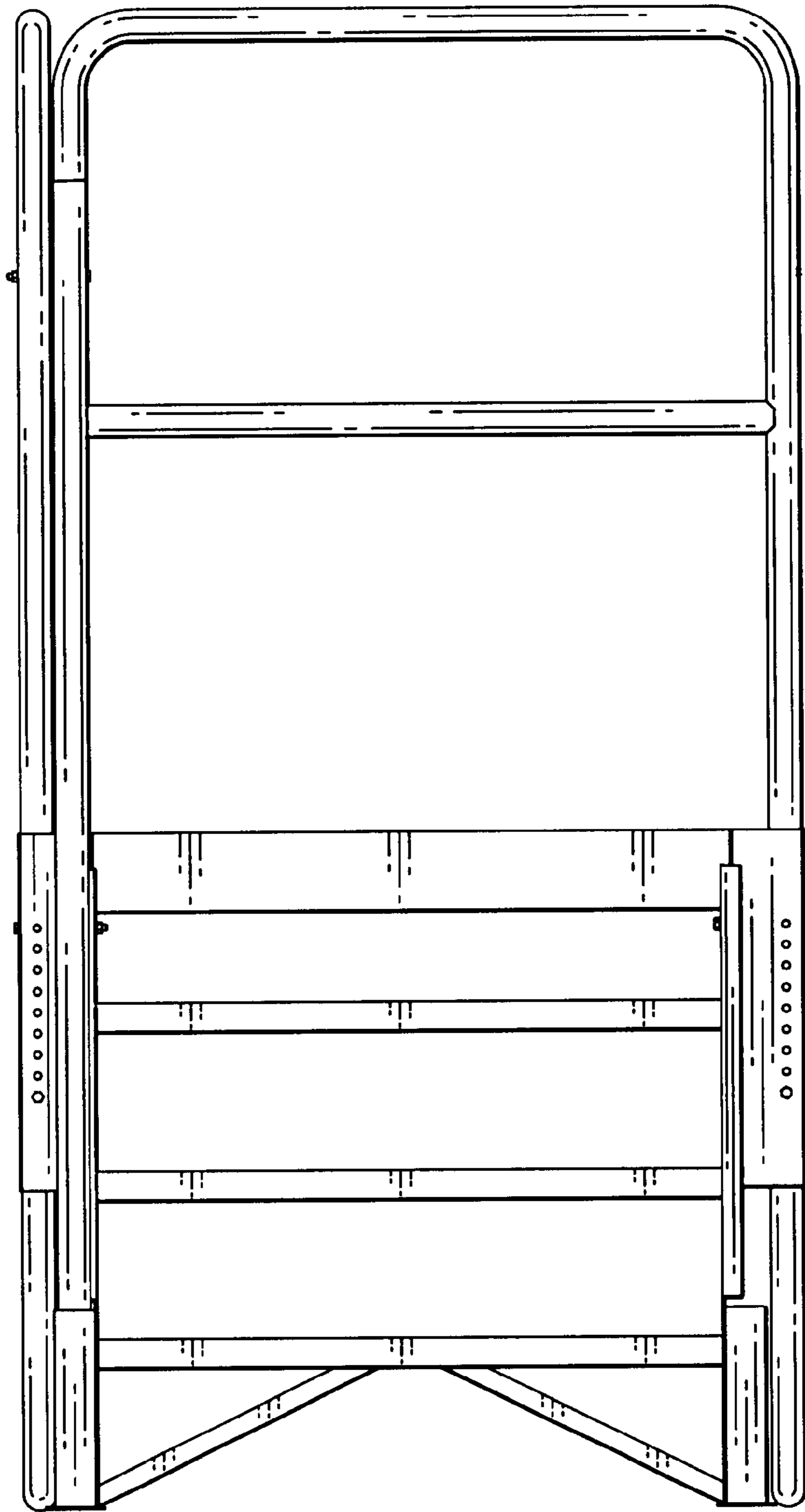
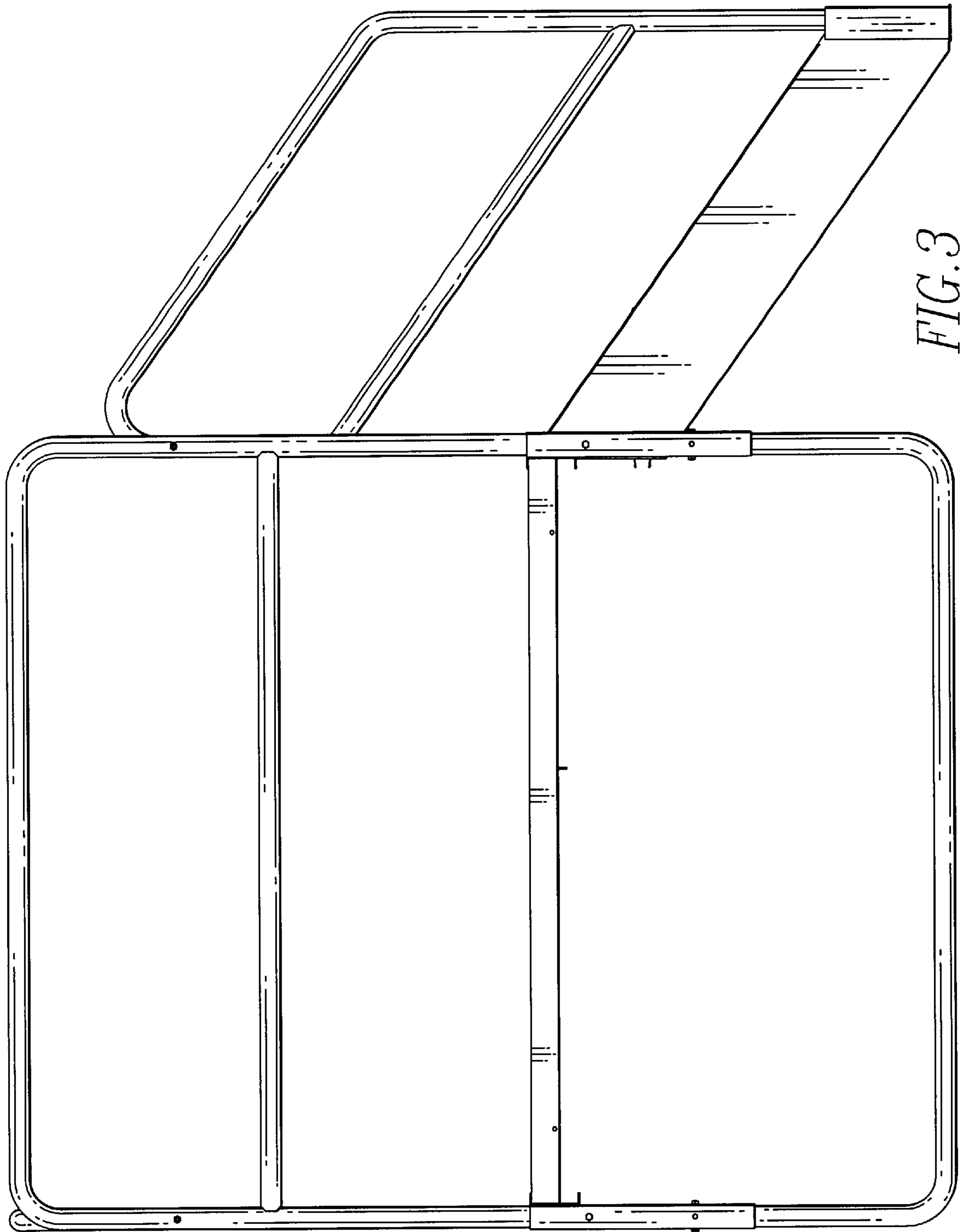


FIG. 2



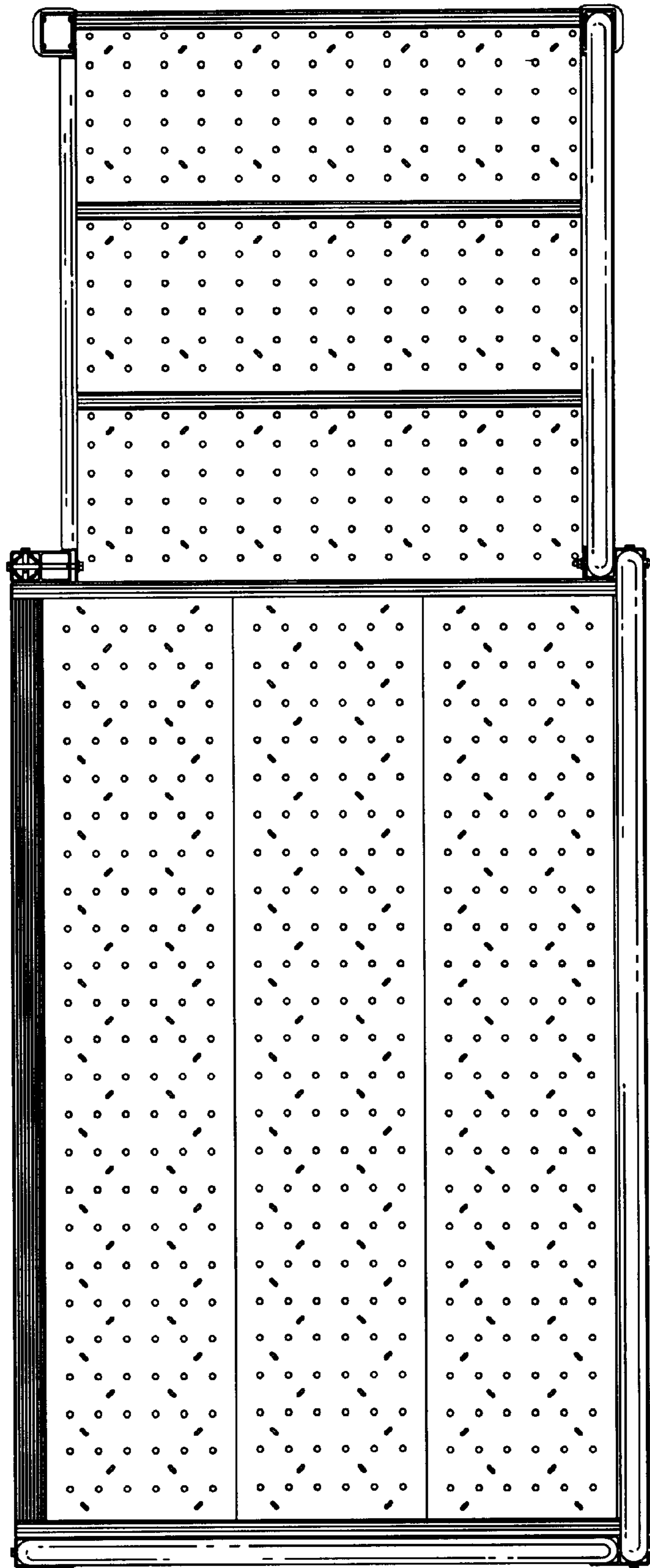


FIG. 4

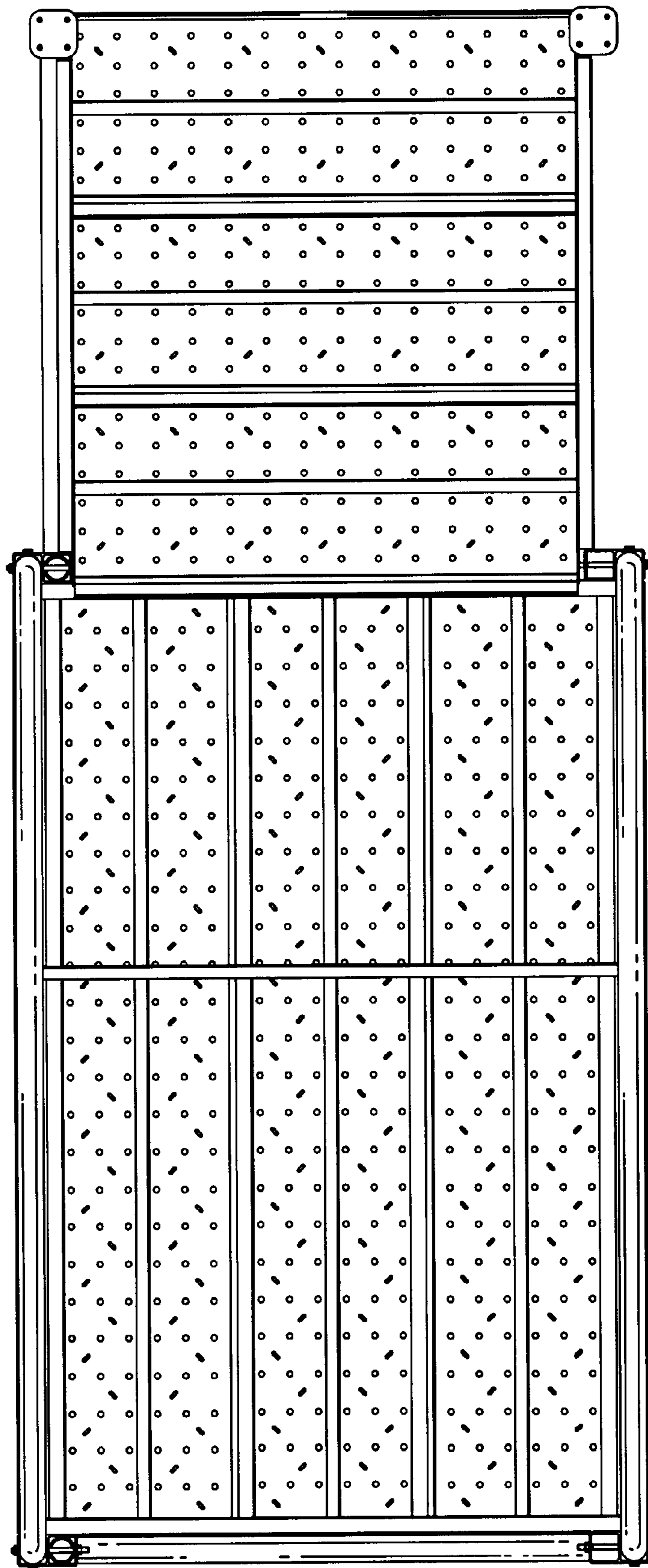


FIG. 5

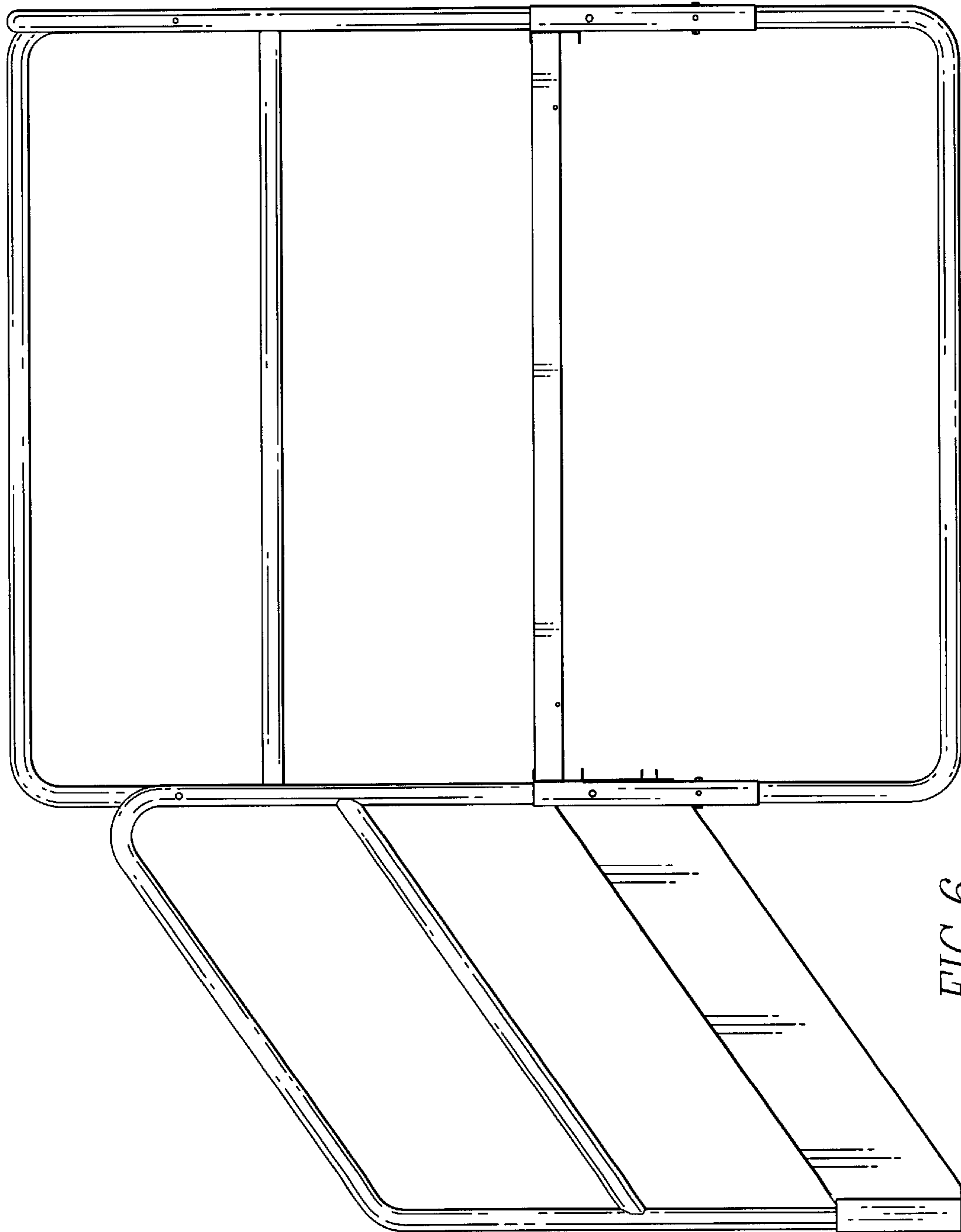


FIG. 6