



US00D479336S

(12) **United States Design Patent**
La Bianco et al.

(10) **Patent No.:** **US D479,336 S**
(45) **Date of Patent:** **** Sep. 2, 2003**

(54) **APPLICATOR FOR A MOTORIZED APPLIANCE**

2,048,713 A * 7/1936 Schramm 601/95
3,968,789 A * 7/1976 Simoncini 601/95
5,090,402 A * 2/1992 Bazin et al. 601/17
D377,394 S * 1/1997 Tillman et al. D24/215

(76) Inventors: **Kerrie L. La Bianco**, 12 Las Cruces, Irvine, CA (US) 92614; **Richard A. La Bianco**, 12 Las Cruces, Irvine, CA (US) 92614

* cited by examiner

(**) Term: **14 Years**

Primary Examiner—Stella Reid
(74) *Attorney, Agent, or Firm*—Eric K. Satermo

(21) Appl. No.: **29/167,828**

(57) **CLAIM**

(22) Filed: **Sep. 21, 2002**

The ornamental design for an applicator for a motorized appliance, as shown and described.

Related U.S. Application Data

DESCRIPTION

(62) Division of application No. 10/197,971, filed on Jul. 17, 2002.

FIG. 1 is a perspective view of an applicator for a motorized appliance;

(51) **LOC (7) Cl.** **28-03**

FIG. 2 is a front view of an applicator for a motorized appliance; and,

(52) **U.S. Cl.** **D24/215**

(58) **Field of Search** D24/214, 215, D24/211; 601/17, 84, 85, 95, 112

FIG. 3 is a side view of an applicator for a motorized appliance.

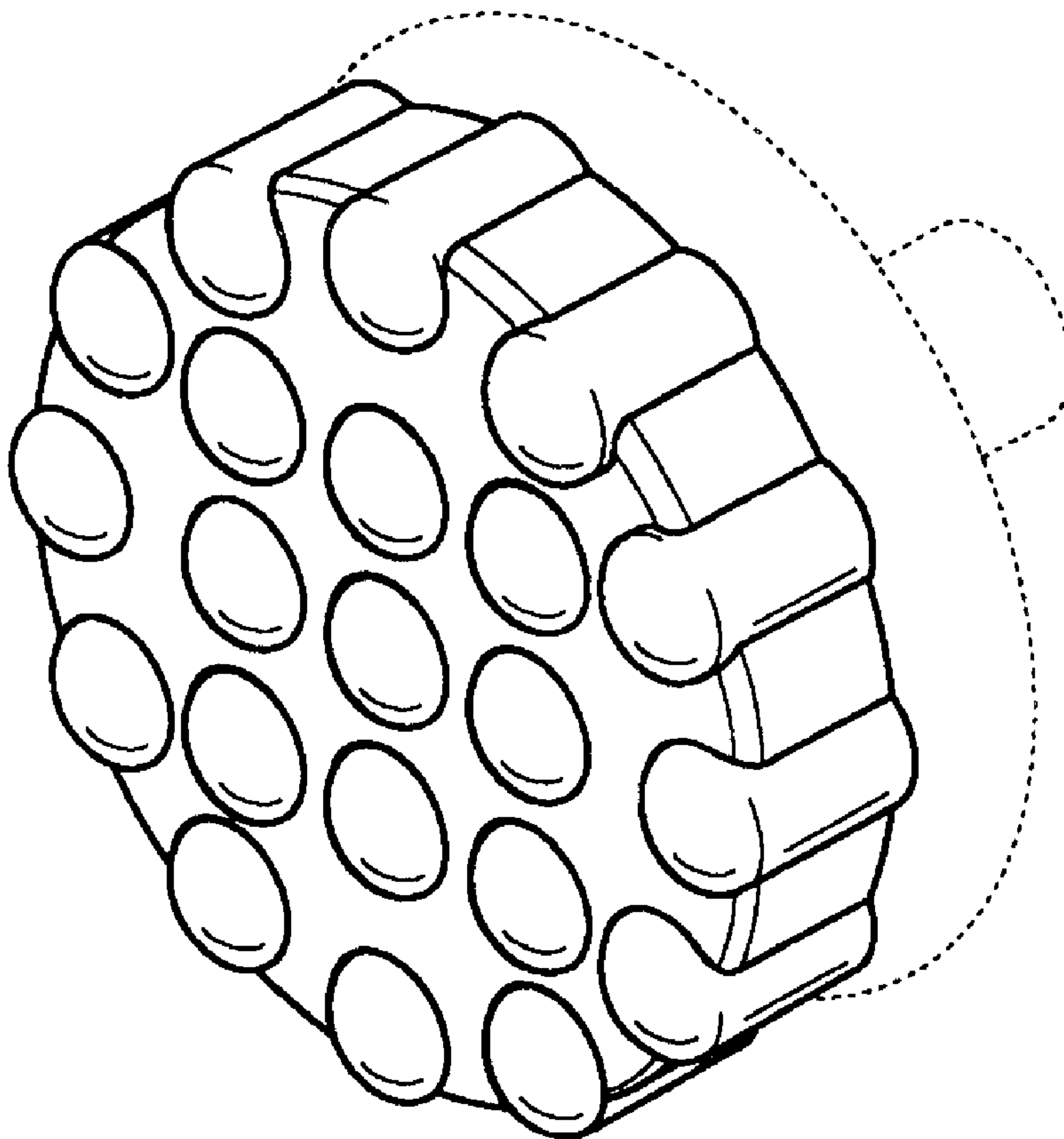
(56) **References Cited**

The broken line showing is for illustrative purposes only and forms no part of the claimed design.

U.S. PATENT DOCUMENTS

1,582,479 A * 4/1926 Lanz 601/95

1 Claim, 1 Drawing Sheet



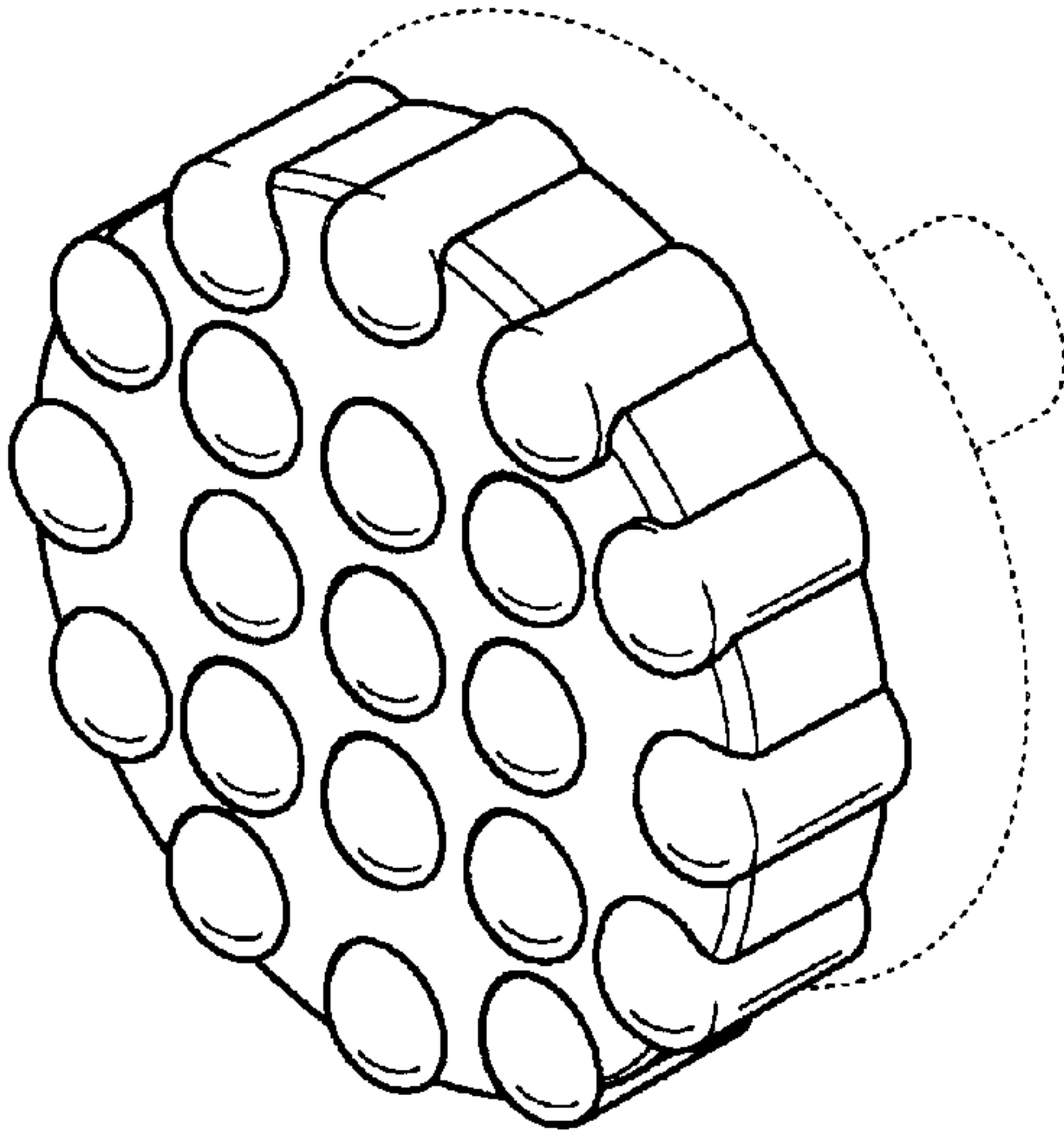


FIG. 1

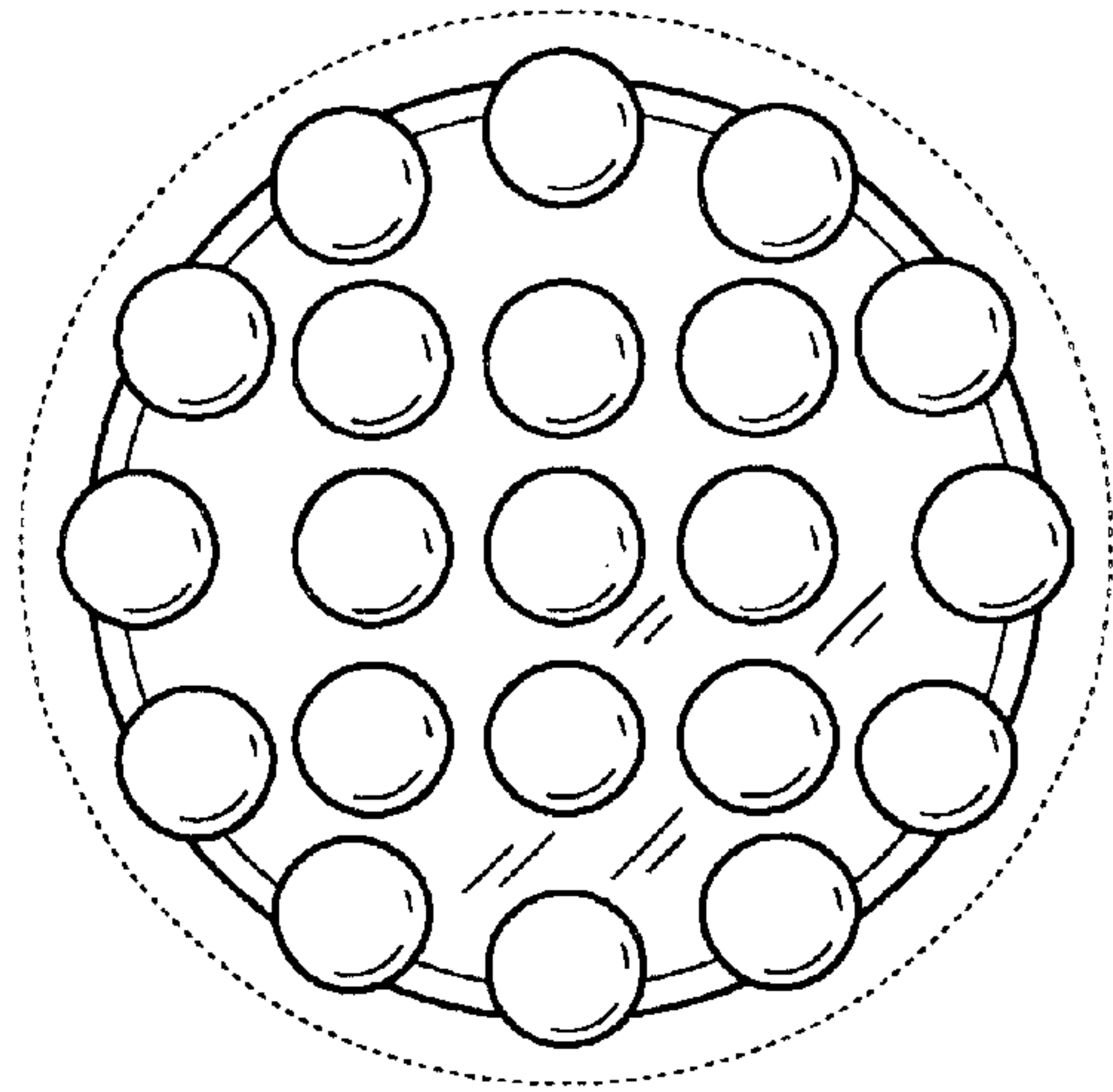


FIG. 2

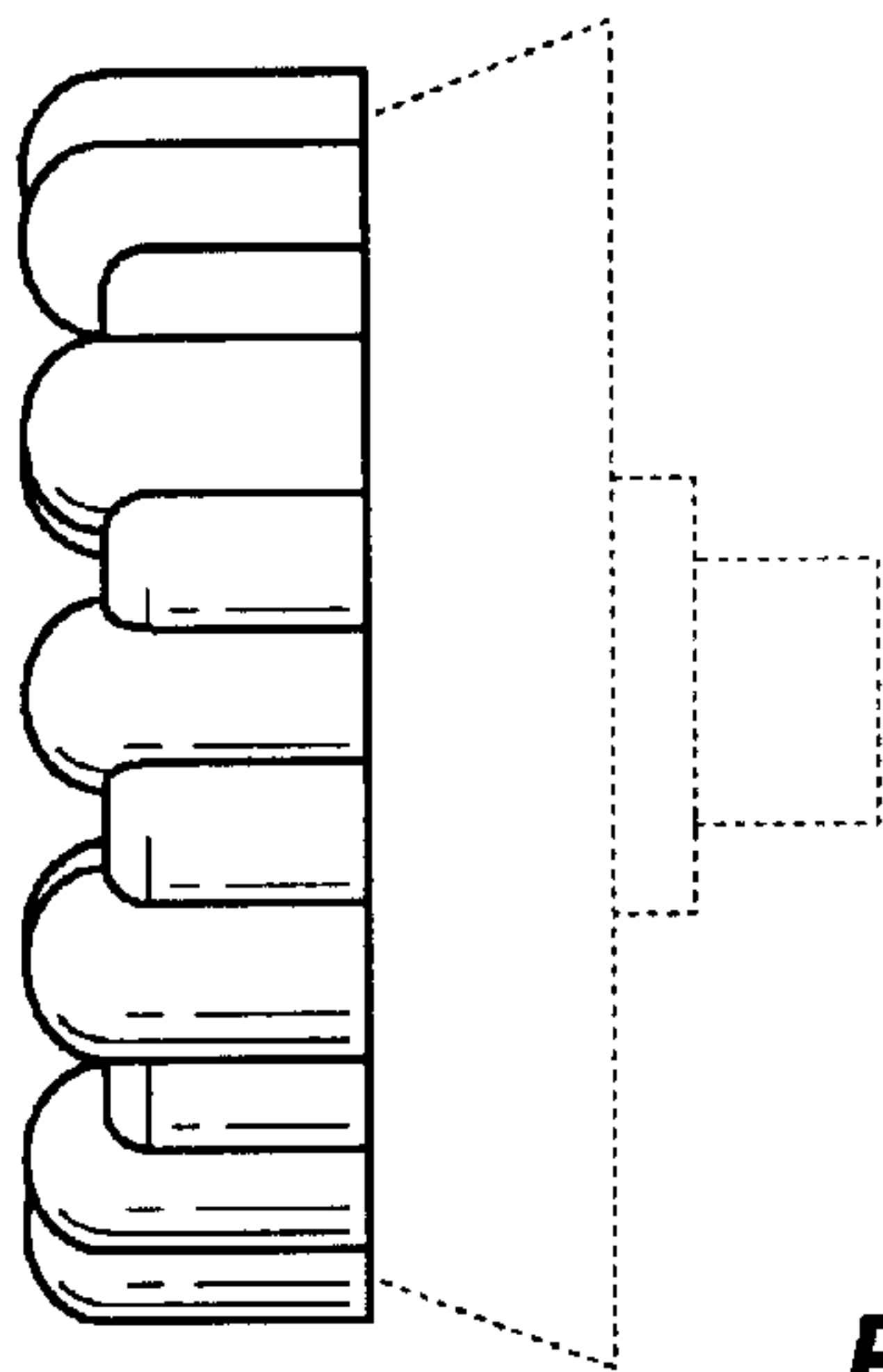


FIG. 3