



US00D479334S

(12) **United States Design Patent**
Chou

(10) **Patent No.:** **US D479,334 S**

(45) **Date of Patent:** **** Sep. 2, 2003**

(54) **MASSAGER**

6,056,709 A * 5/2000 Hashimoto 601/127
D435,299 S * 12/2000 Chou D24/213

(76) Inventor: **Jen-Chung Chou**, No. 15, Kung-Ba Rd., Kung-Erh Industrial Park, Lin-Kou Hsiang, Taipei Hsien (TW)

* cited by examiner

(**) Term: **14 Years**

Primary Examiner—Stella Reid

(74) *Attorney, Agent, or Firm*—Rosenberg, Klein & Lee

(21) Appl. No.: **29/173,480**

(57) **CLAIM**

(22) Filed: **Dec. 31, 2002**

The ornamental design for a massager, as shown.

(51) **LOC (7) Cl.** **28-03**

(52) **U.S. Cl.** **D24/212**

(58) **Field of Search** D24/200, 212;
601/84, 112, 118, 122, 127, 134, 136

DESCRIPTION

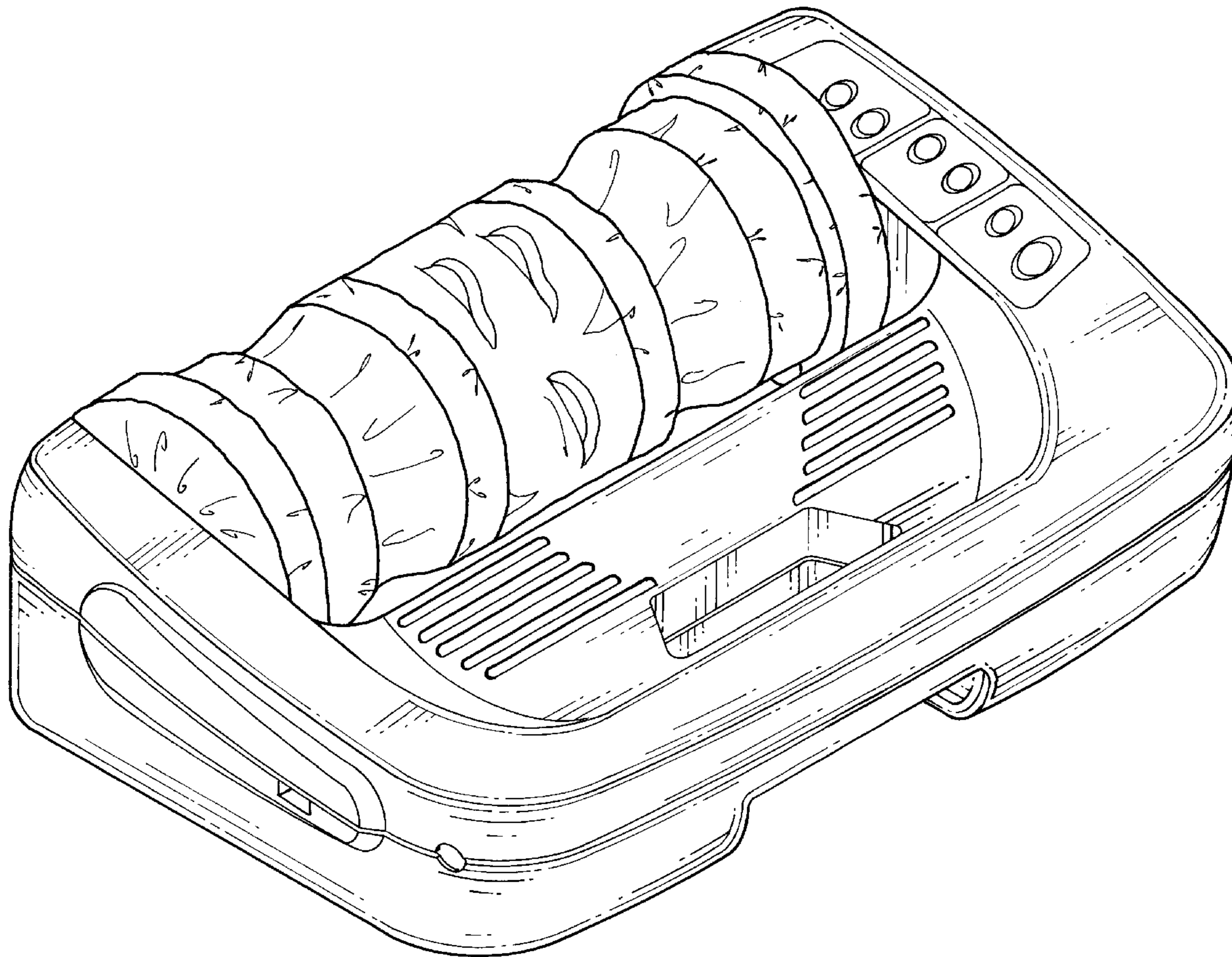
FIG. 1 is a perspective view of a massager, showing my new design;
FIG. 2 is a front elevational view thereof;
FIG. 3 is a rear elevational view thereof;
FIG. 4 is a left elevational view thereof;
FIG. 5 is a right elevational view thereof;
FIG. 6 is top plan view thereof; and,
FIG. 7 is a bottom plan view thereof.

(56) **References Cited**

U.S. PATENT DOCUMENTS

D231,802 S * 6/1974 McNair D24/212
4,782,823 A * 11/1988 Yamasaki 601/127
5,711,758 A * 1/1998 Tseng 601/127

1 Claim, 7 Drawing Sheets



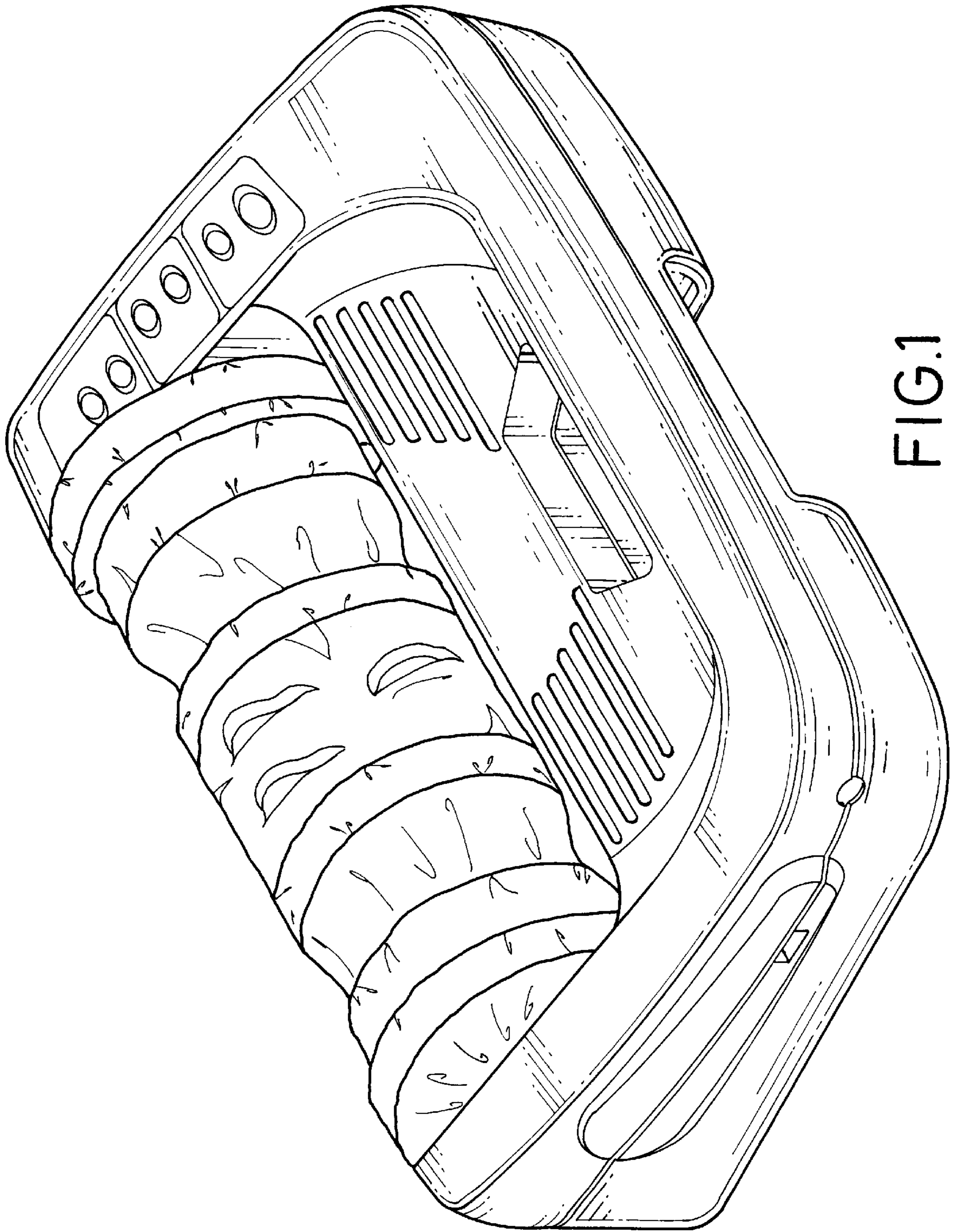


FIG.1

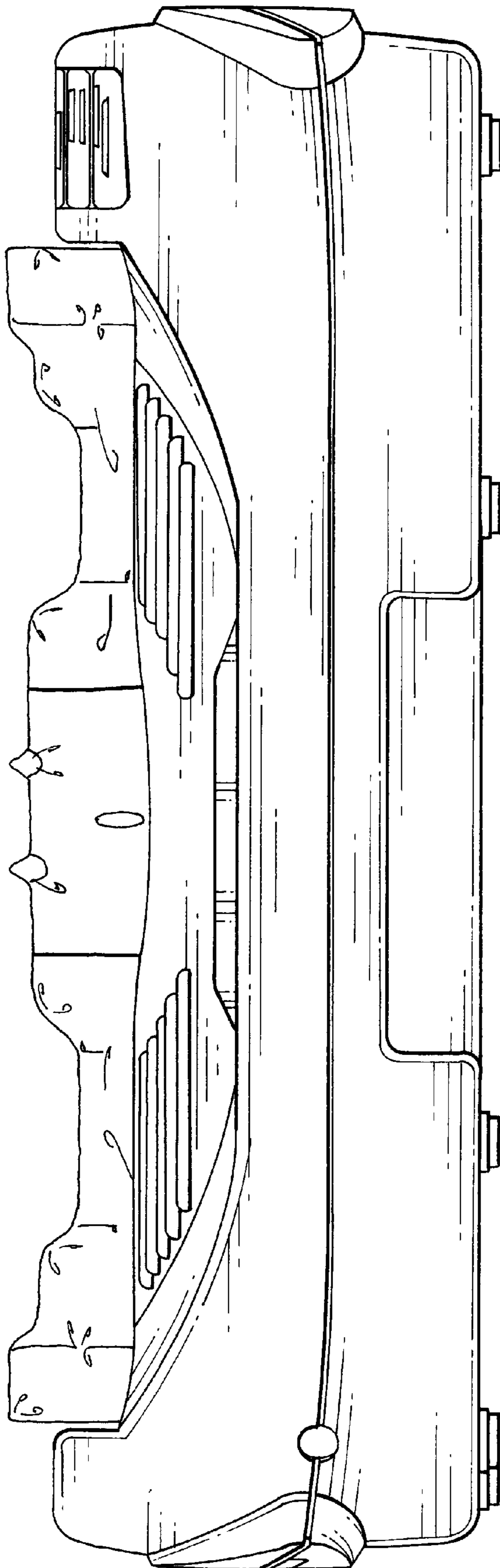


FIG.2

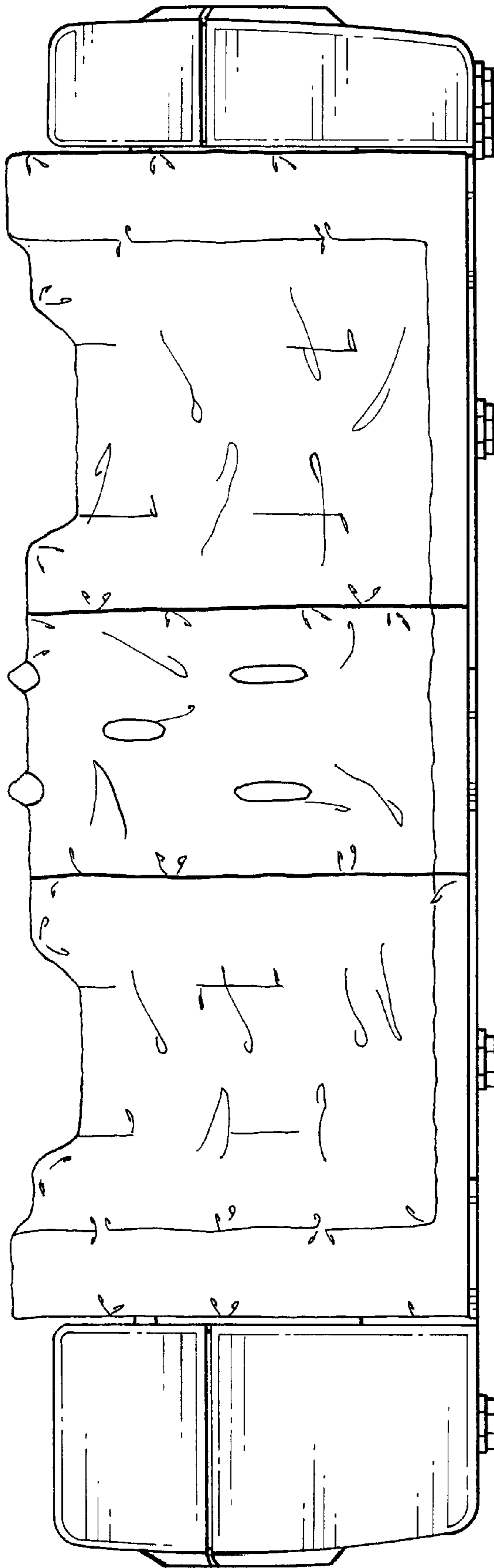


FIG. 3

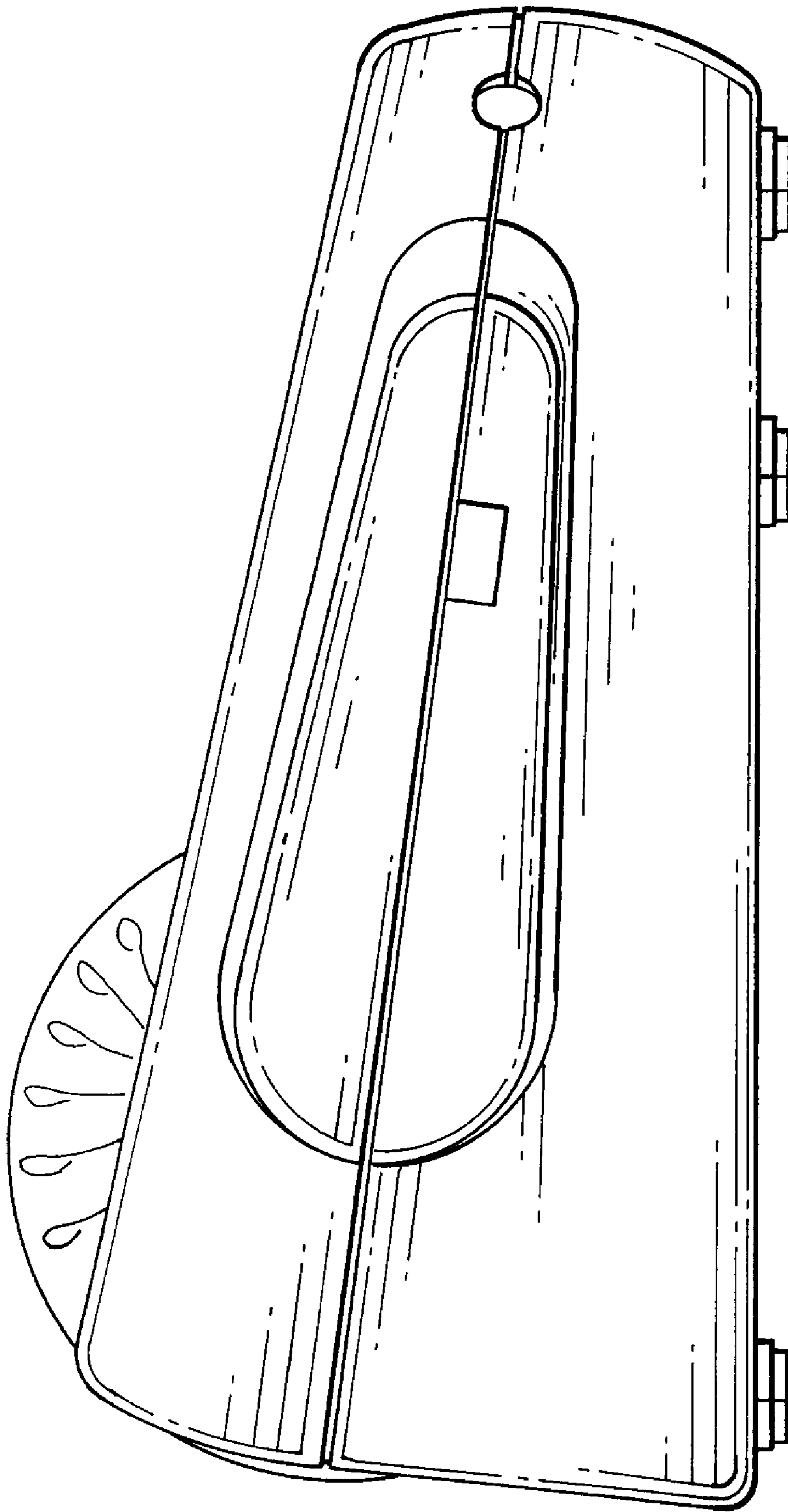


FIG. 4

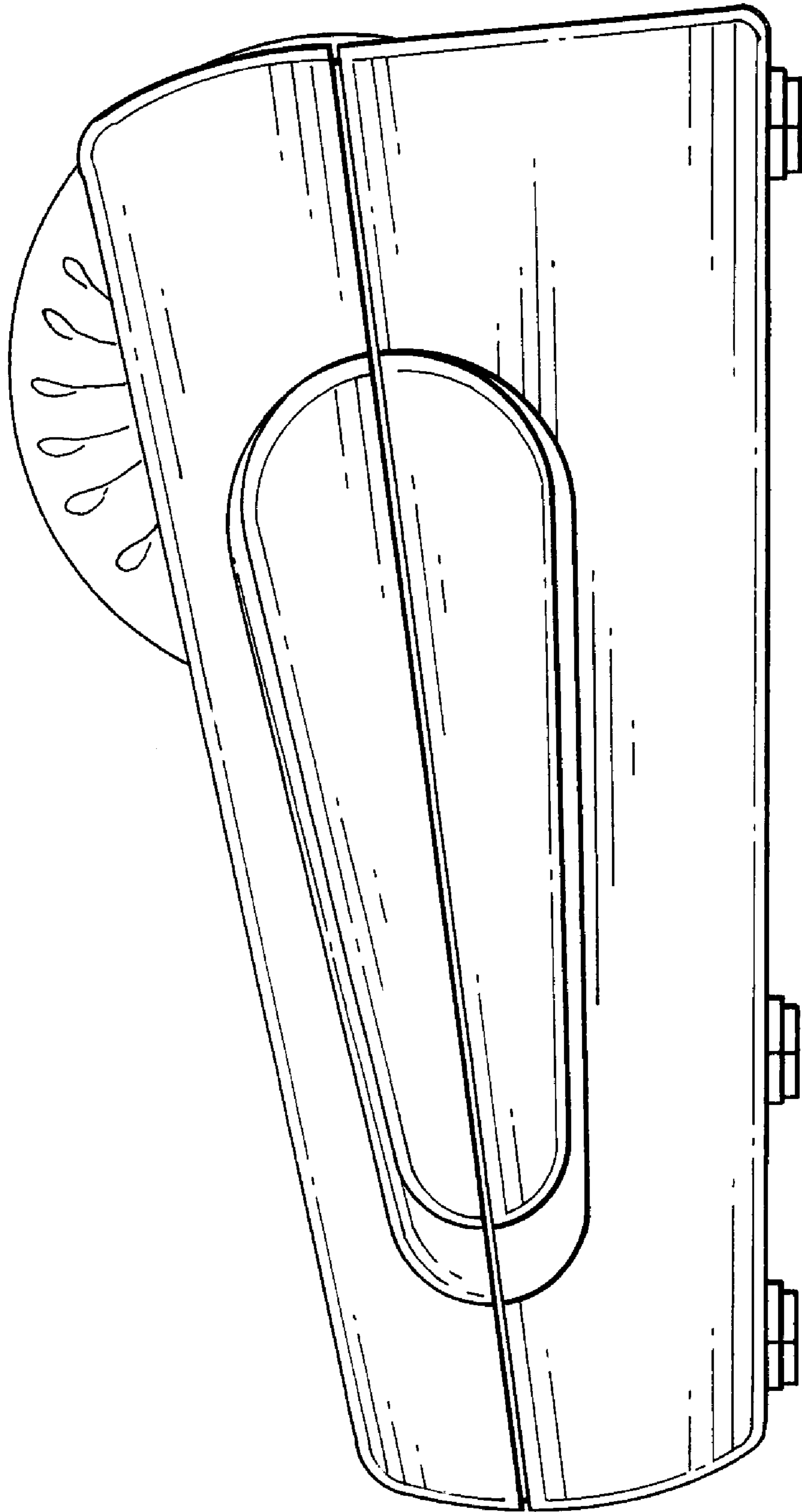


FIG. 5

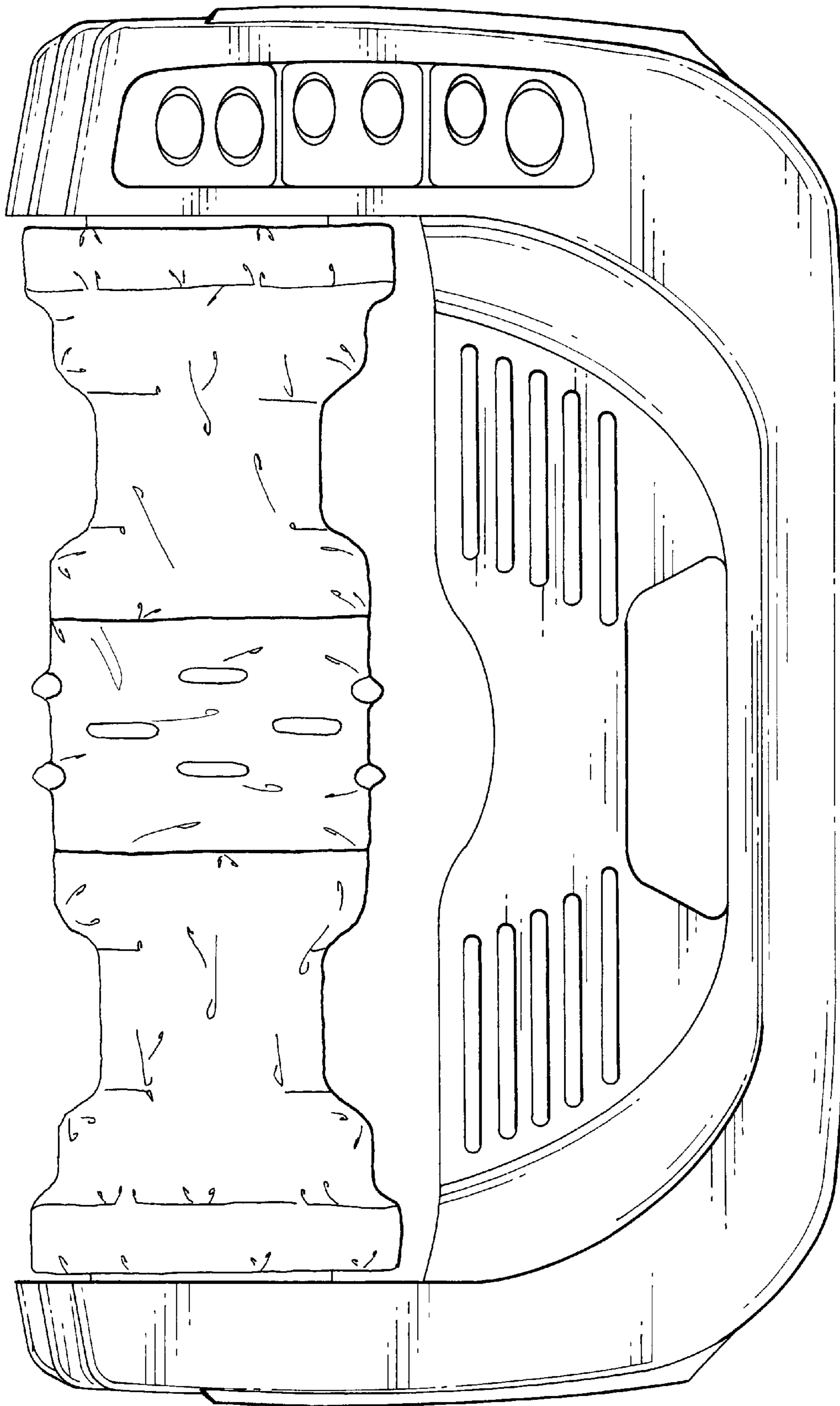


FIG.6

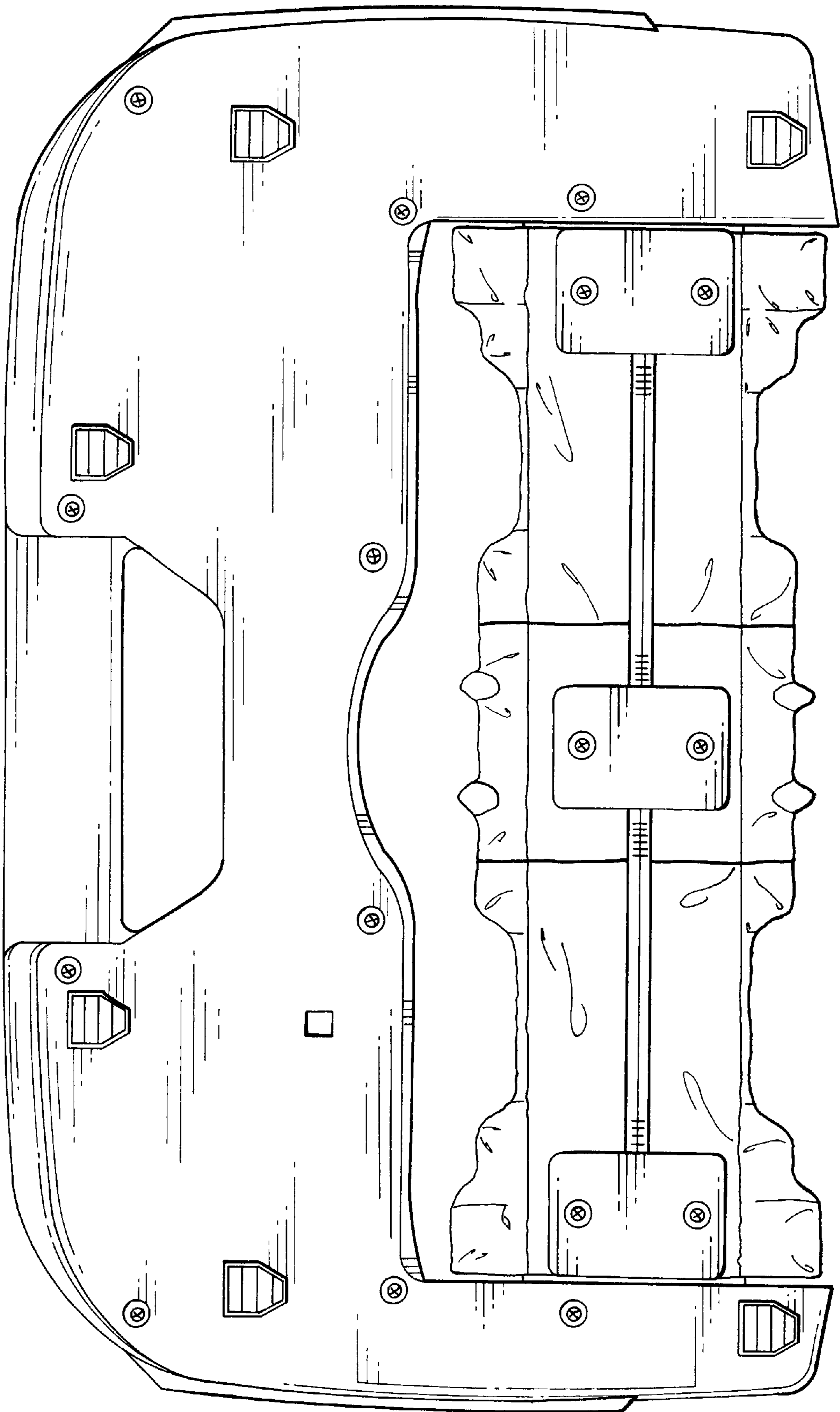


FIG.7