



US00D479329S

(12) **United States Design Patent**
Sanguinetti

(10) **Patent No.:** **US D479,329 S**

(45) **Date of Patent:** **** Sep. 2, 2003**

(54) **TIERED DAILY SYRINGE DISPENSER WITH SIDE MEDICINE HOLDER**

(76) **Inventor:** **Lori L. Sanguinetti**, 724 Cherry St.,
Novato, CA (US) 94945-2526

(**) **Term:** **14 Years**

(21) **Appl. No.:** **29/163,372**

(22) **Filed:** **Jul. 5, 2002**

(51) **LOC (7) Cl.** **24-02**

(52) **U.S. Cl.** **D24/128; D24/130; D24/230**

(58) **Field of Search** D24/130, 128,
D24/227, 230; D3/203; 604/403; 206/366,
369, 368, 363, 459.5, 569, 570, 568, 370,
828, 364; 211/60.1

(56) **References Cited**

U.S. PATENT DOCUMENTS

4,015,709 A	4/1977	Millet	
4,349,338 A *	9/1982	Heppler	211/60.1
4,801,012 A	1/1989	Steenhuisen et al.	
D301,615 S *	6/1989	Vitart-Liva	D24/226
4,863,451 A *	9/1989	Marder	206/366
5,007,535 A	4/1991	Meseke et al.	
5,388,697 A *	2/1995	James	206/459.5

5,522,503 A	6/1996	Halbich	
5,823,363 A *	10/1998	Cassel	211/60.1
5,850,917 A *	12/1998	Denton et al.	206/366
5,868,250 A	2/1999	Brackett	
D424,801 S *	5/2000	Spinelli	D3/203
D474,274 S *	5/2003	Walters	D24/230

* cited by examiner

Primary Examiner—Ian Simmons

(74) *Attorney, Agent, or Firm*—Donald R. Schoonover

(57) **CLAIM**

The ornamental design for a tiered daily syringe dispenser with side medicine holder, as shown and described.

DESCRIPTION

FIG. 1 is a perspective view of a tiered daily syringe dispenser with side medicine holder embodying the design of the present invention; the broken lines depict environmental structure and form no part of the claimed design.

FIG. 2 is a front elevational view thereof;

FIG. 3 is a rear elevational view thereof;

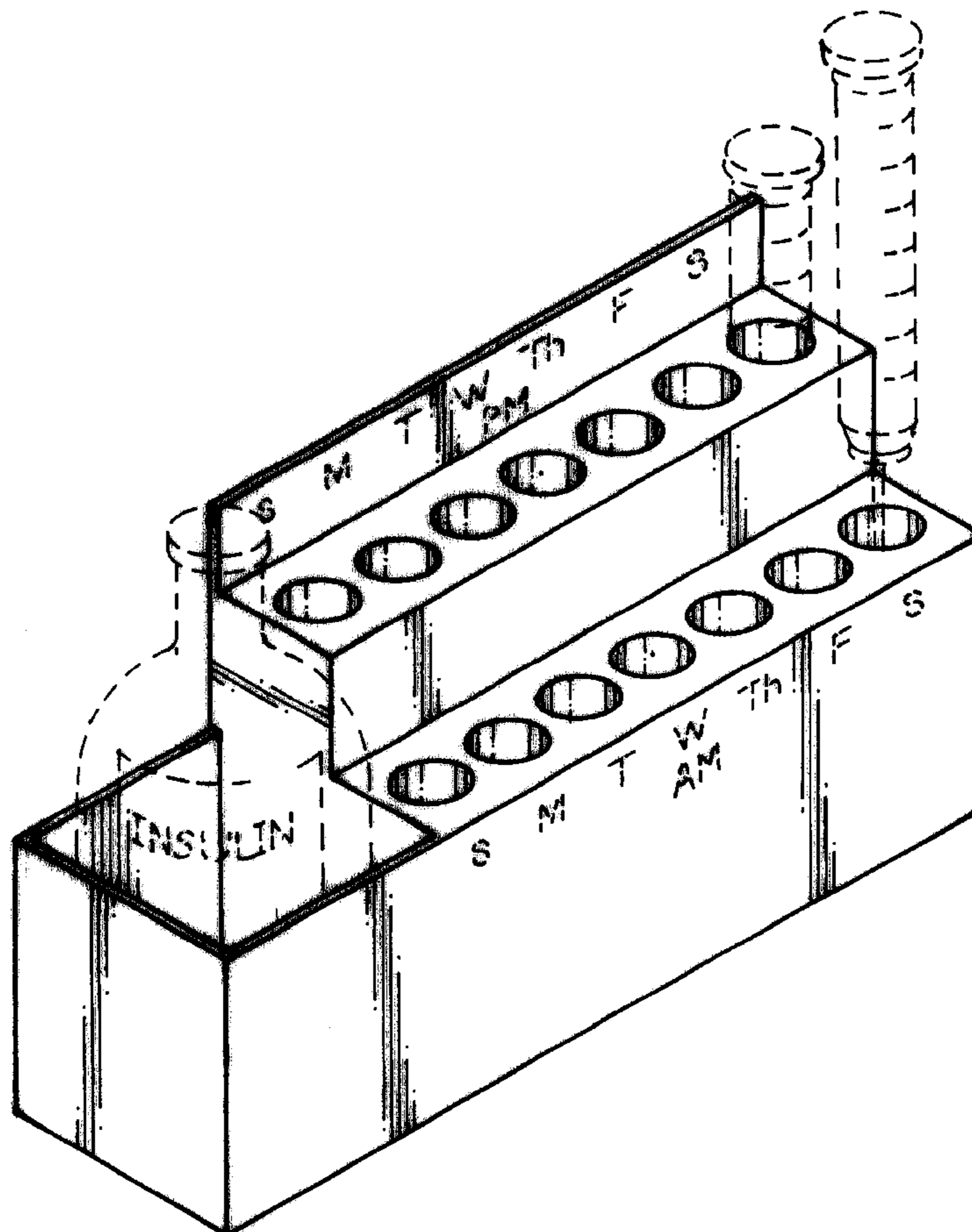
FIG. 4 is a left side elevational view thereof;

FIG. 5 is a right side elevational view thereof;

FIG. 6 is a top plan view thereof; and,

FIG. 7 is a bottom plan view thereof.

1 Claim, 3 Drawing Sheets



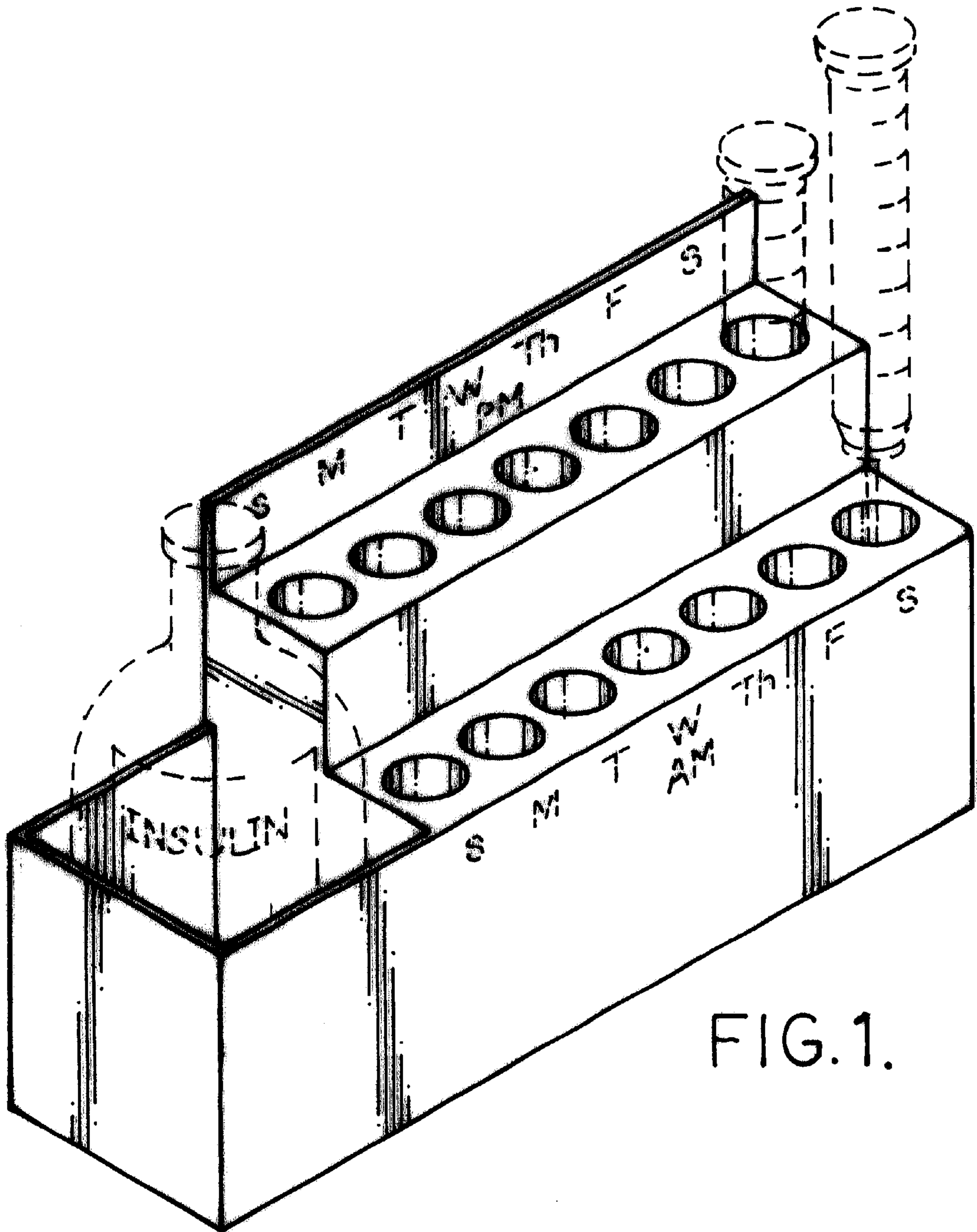


FIG.1.

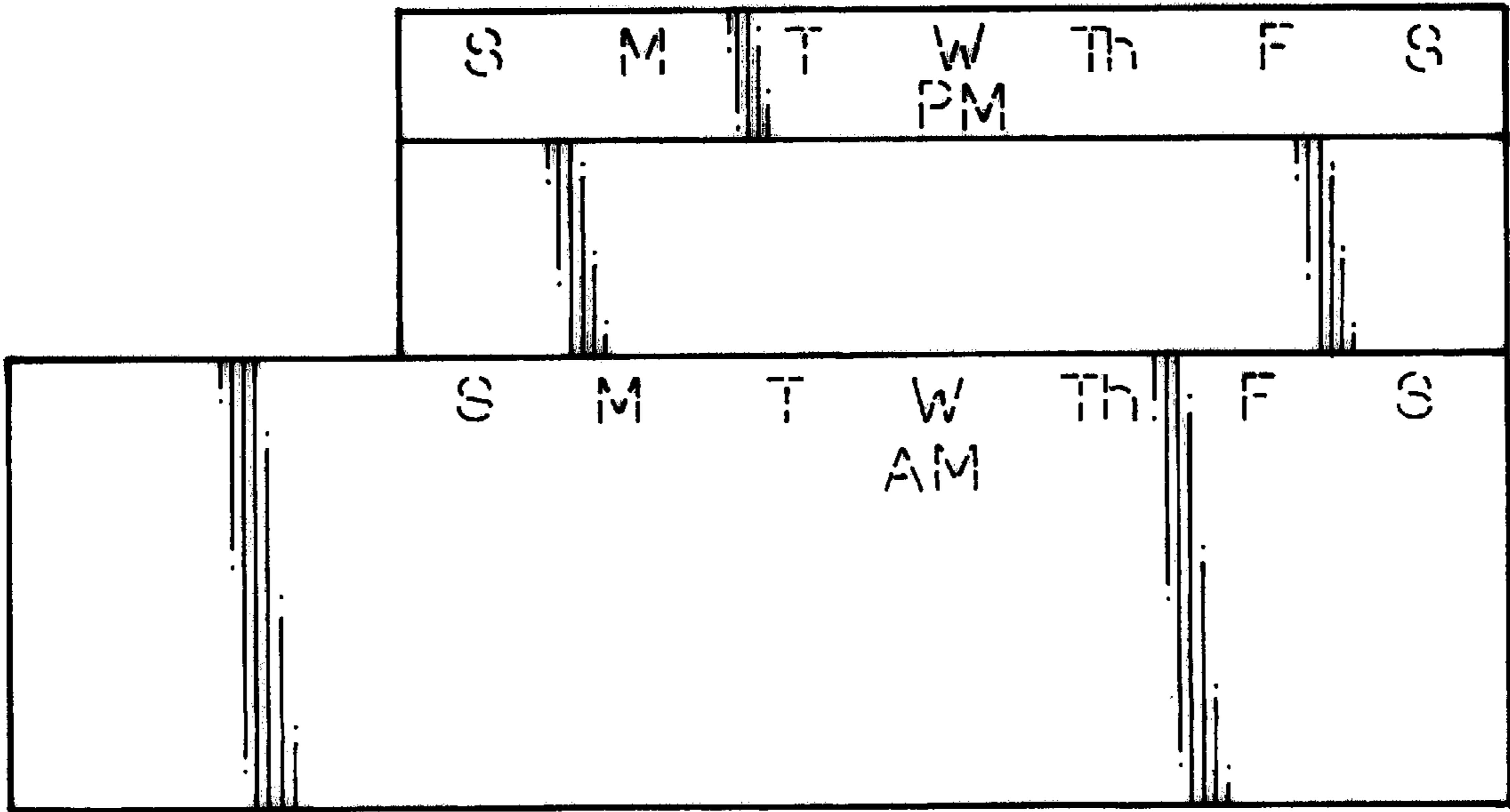
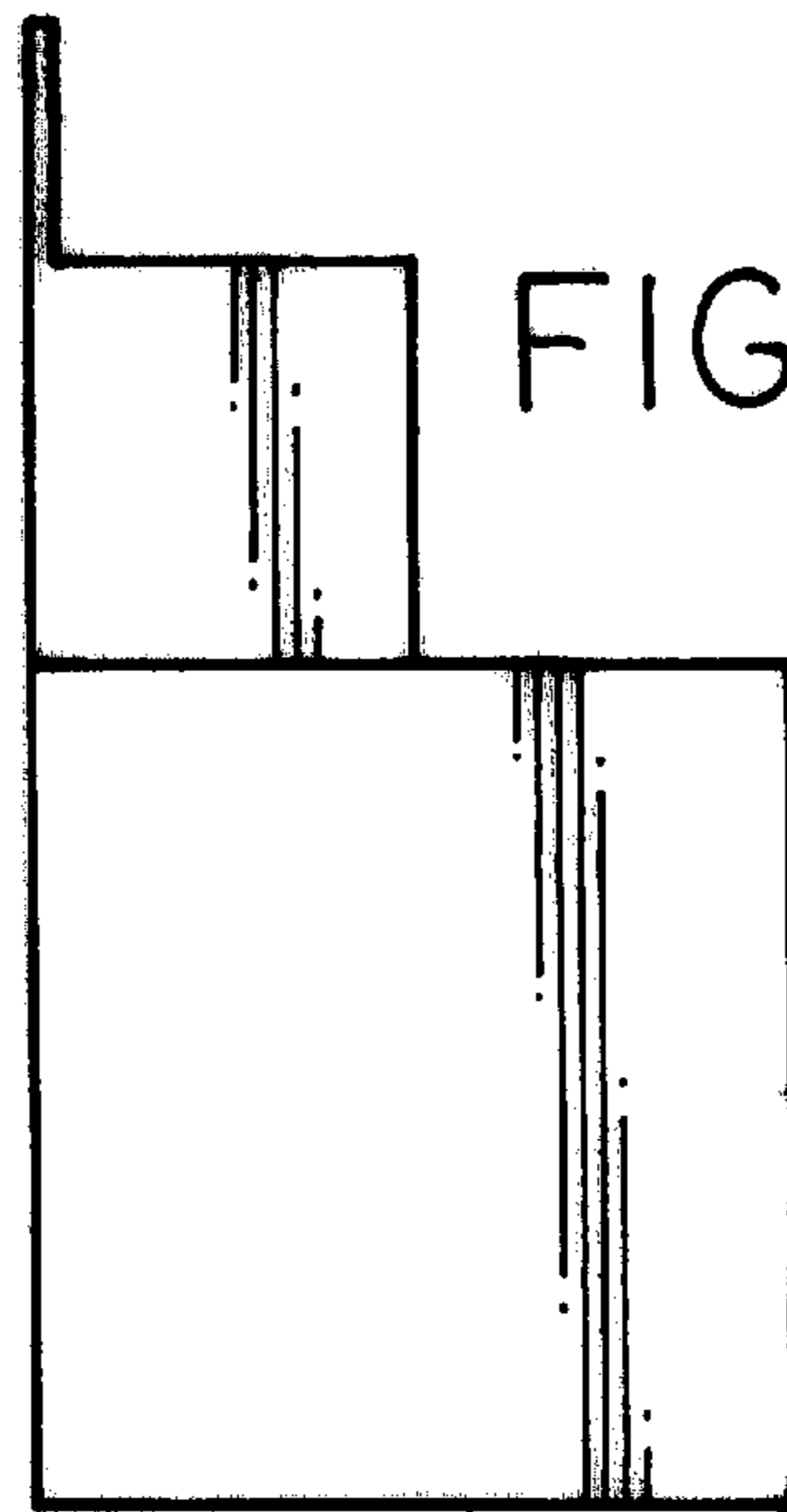
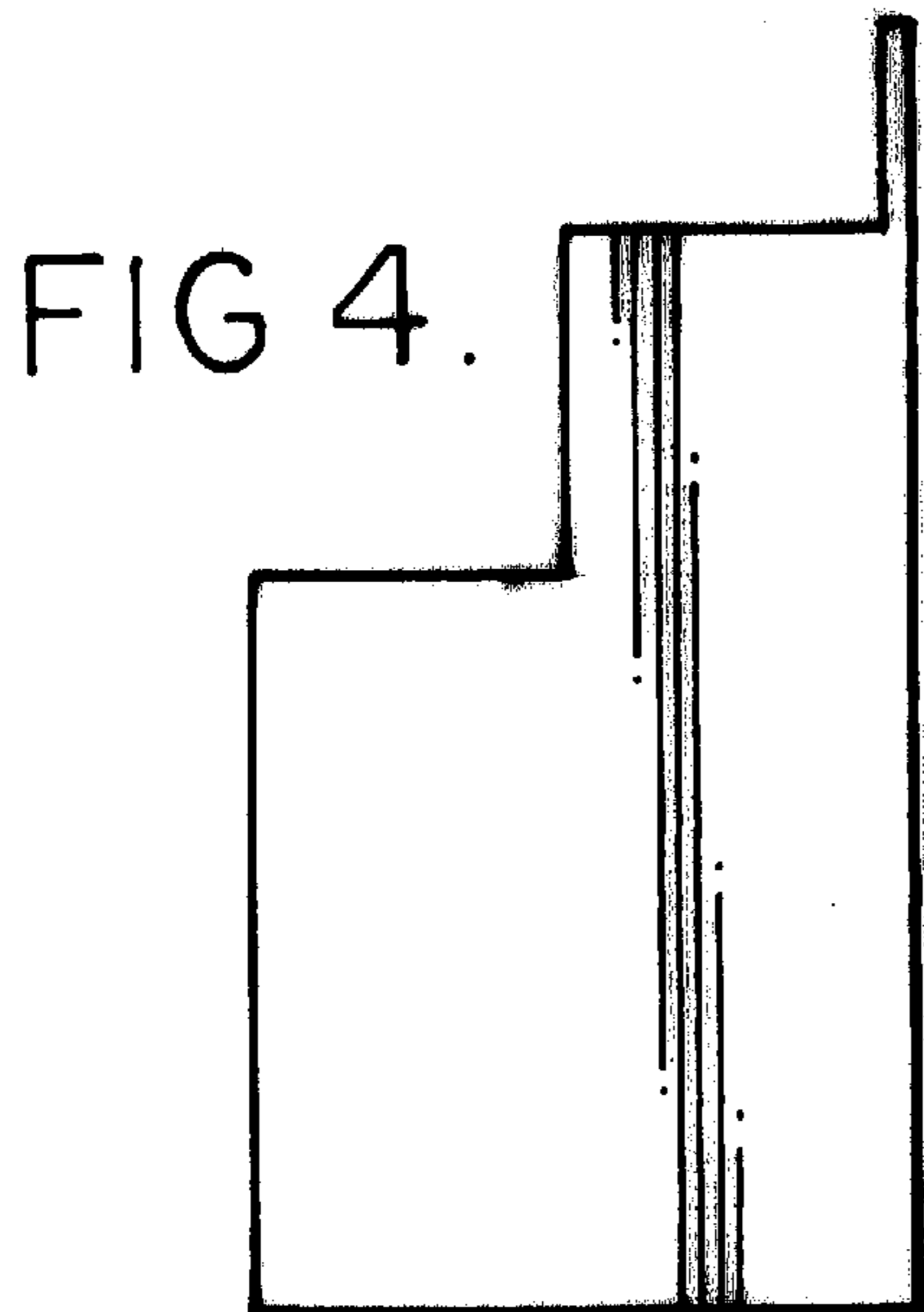


FIG. 2.



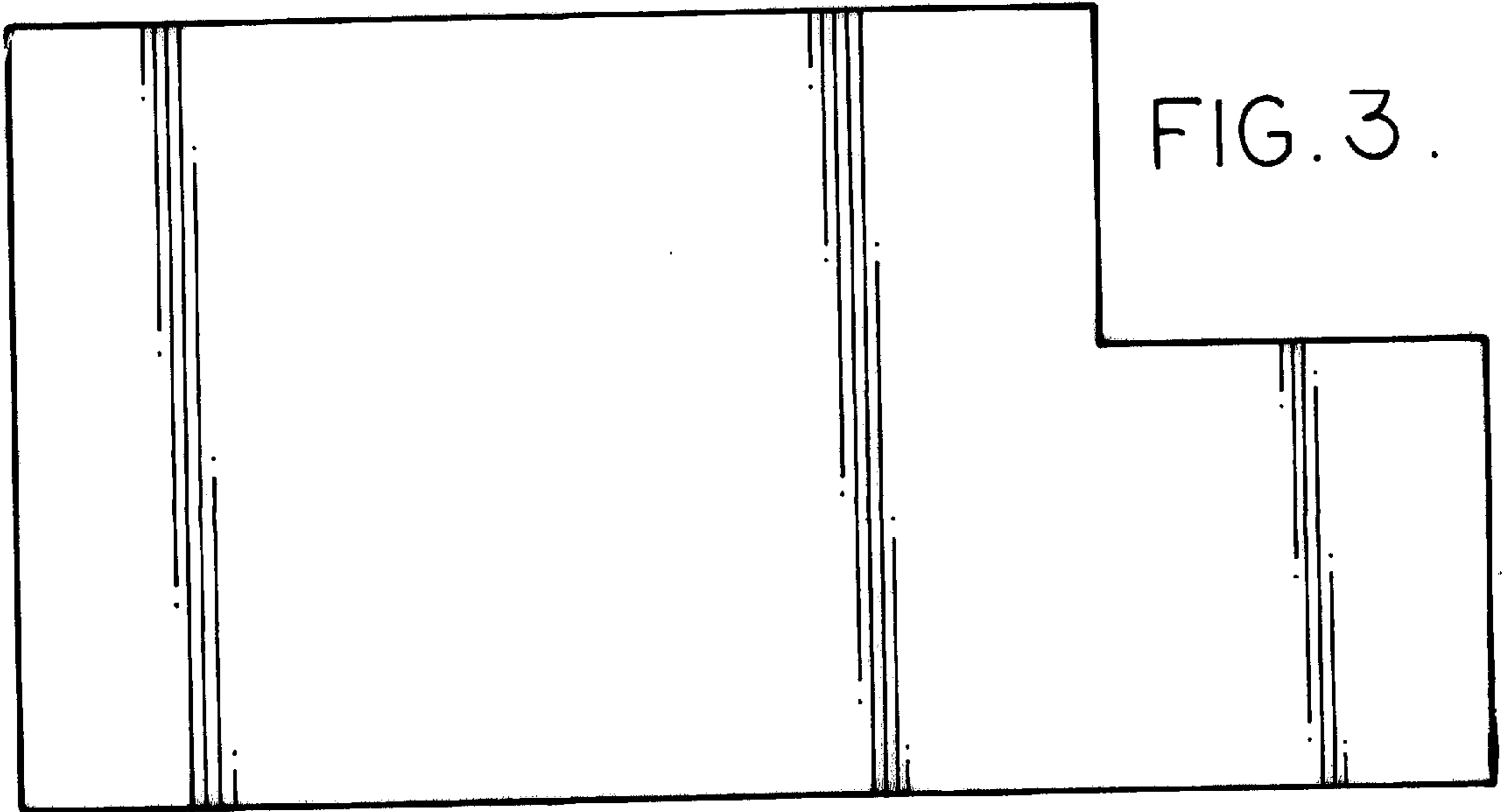


FIG. 6.

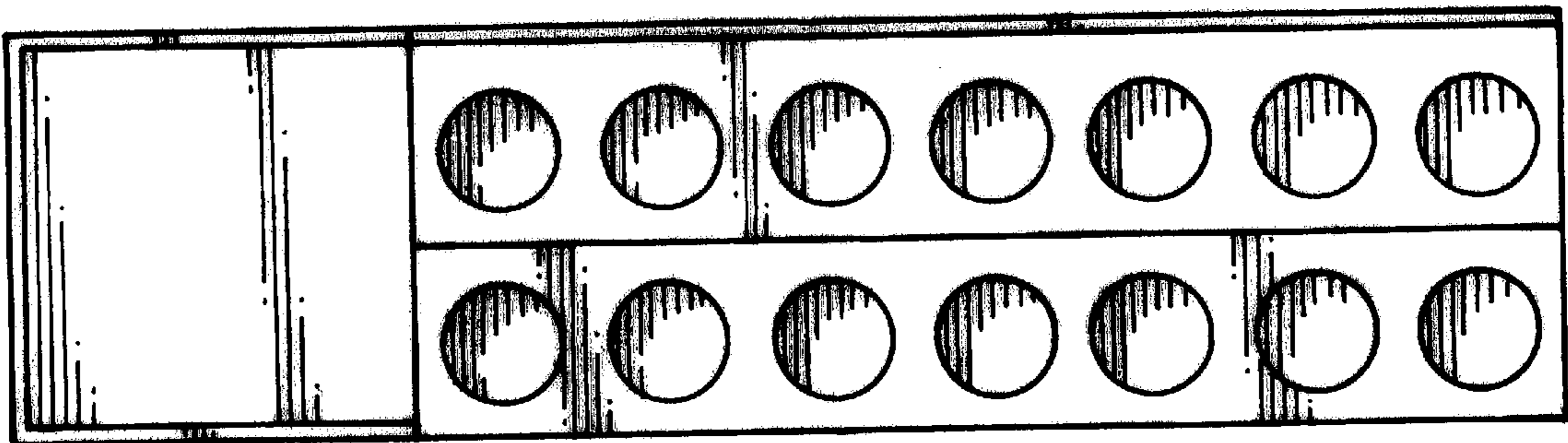


FIG. 7.

