



US00D479328S

(12) **United States Design Patent**
Reynolds et al.

(10) **Patent No.:** **US D479,328 S**
(45) **Date of Patent:** **** Sep. 2, 2003**

(54) **MEDICAL TUBING HOLDER AND ORGANIZER**

(76) Inventors: **LaMonica Reynolds**, 251 McKinley Loop, McDonough, GA (US) 30253;
Gerard Reynolds, 251 McKinley Loop, McDonough, GA (US) 30253

(**) Term: **14 Years**

(21) Appl. No.: **29/157,339**

(22) Filed: **Mar. 18, 2002**

(51) **LOC (7) Cl.** **24-02**

(52) **U.S. Cl.** **D24/128; D24/127**

(58) **Field of Search** D24/128, 129; D8/354; 248/68.1, 74.1, 74.2, 73, 70; 128/DIG. 26, DIG. 6; 604/179, 174

(56) **References Cited**

U.S. PATENT DOCUMENTS

3,630,195 A	12/1971	Santomieri
3,696,920 A	10/1972	Lahay
3,834,380 A	9/1974	Boyd
4,029,103 A	6/1977	McConnell
4,453,933 A	6/1984	Speaker
4,606,735 A	8/1986	Wilder et al.
4,707,906 A	11/1987	Posey
4,720,881 A	1/1988	Meyers
4,988,062 A	1/1991	London

5,084,026 A	1/1992	Shapiro
5,224,674 A	7/1993	Simons
5,263,943 A	* 11/1993	Vanderbrook 604/179
5,336,179 A	* 8/1994	Ryan 128/DIG. 26
5,389,082 A	* 2/1995	Baugues et al. 604/174
D378,408 S	* 3/1997	Pyeatt et al. D24/128
5,916,199 A	6/1999	Miles
6,228,064 B1	5/2001	Abita et al.

* cited by examiner

Primary Examiner—Ian Simmons

(74) *Attorney, Agent, or Firm*—Myers & Kaplan, L.L.C.; Joel D. Myers

(57) **CLAIM**

The ornamental design for a medical tubing holder and organizer, as shown and described.

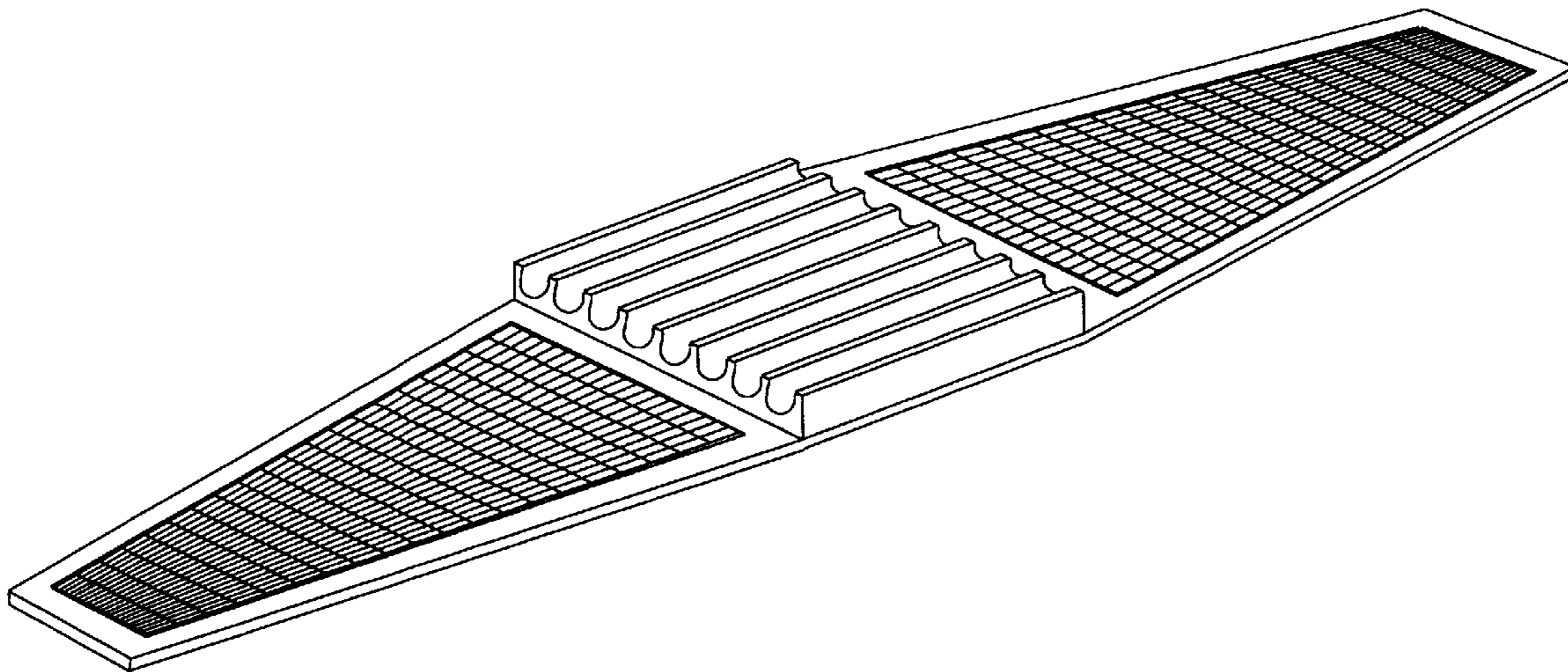
DESCRIPTION

FIG. 1 is a top view of the medical tubing holder and organizer according to a preferred embodiment of the present invention.

FIG. 2 is a bottom view of the medical tubing holder and organizer according to a preferred embodiment of the present invention; and,

FIG. 3 is a perspective view of the medical tubing holder and organizer according to a preferred embodiment of the present invention.

1 Claim, 3 Drawing Sheets



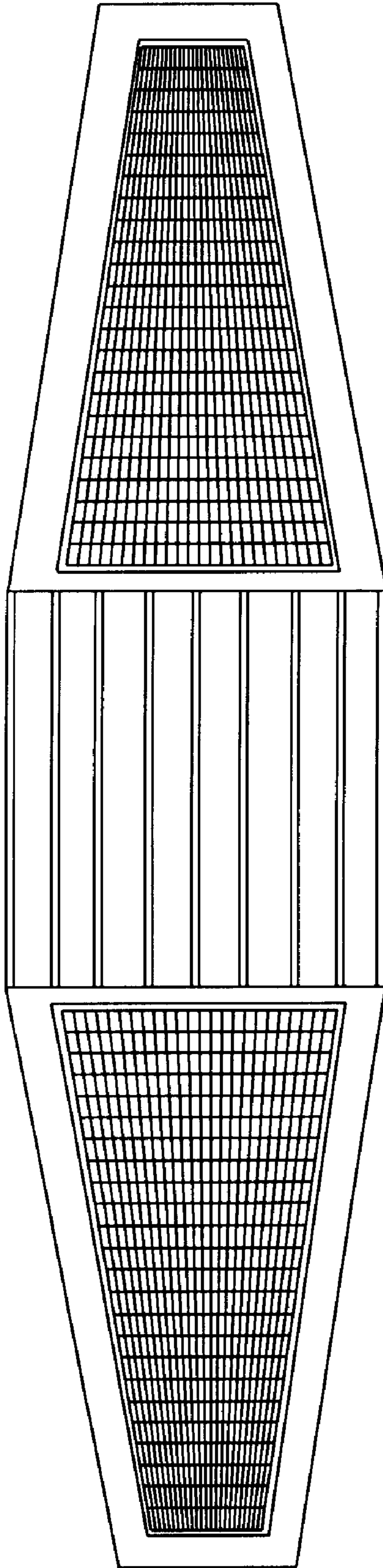


FIG. 1

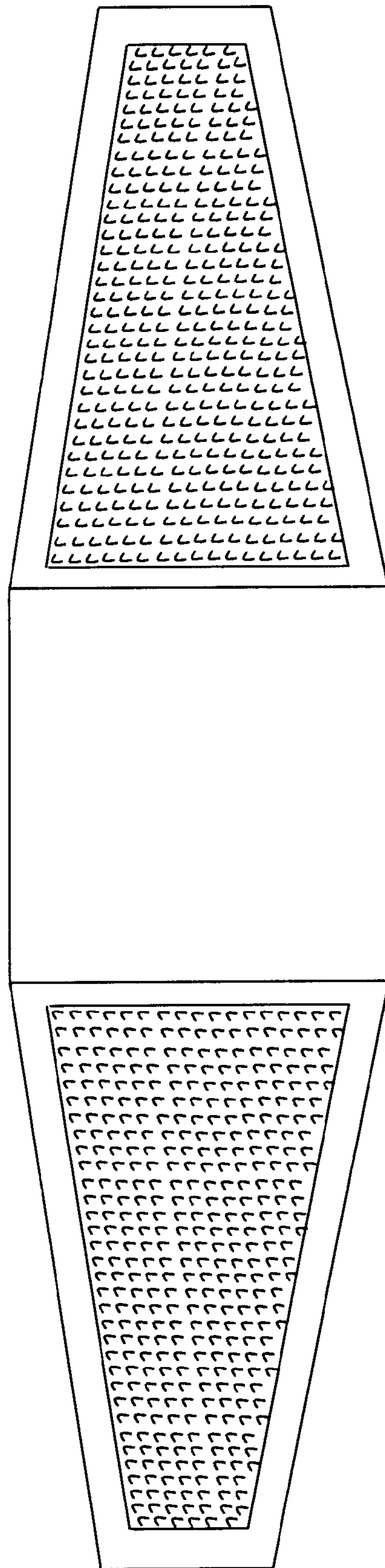


FIG. 2

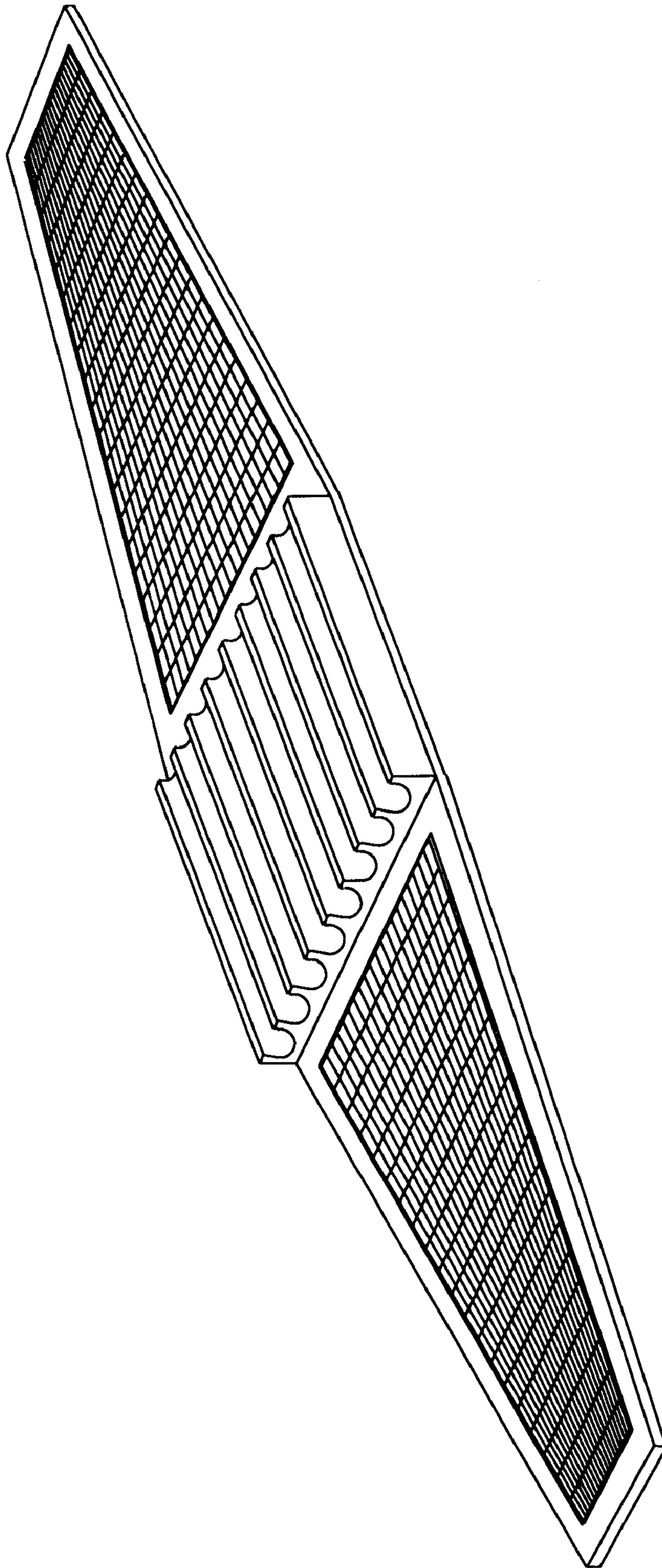


FIG. 3