



US00D479327S

(12) **United States Design Patent**  
**Hansen**

(10) **Patent No.:** **US D479,327 S**

(45) **Date of Patent:** **\*\* Sep. 2, 2003**

(54) **HEAD BAND FOR SUPPORTING A NASAL CANNULA**

5,244,464 A \* 9/1993 Madden et al. .... 604/179  
5,647,061 A \* 7/1997 Marcus ..... 2/DIG. 11  
D468,013 S \* 12/2002 Mason ..... D24/128

(76) Inventor: **Conrad J. Hansen**, 1815 Kaweah Dr.,  
Pasadena, CA (US) 91105

\* cited by examiner

(\*\*) Term: **14 Years**

*Primary Examiner*—Ian Simmons

(74) *Attorney, Agent, or Firm*—James E. Brunton

(21) Appl. No.: **29/155,208**

(57) **CLAIM**

(22) Filed: **Feb. 4, 2002**

The ornamental design for “a head band for supporting a nasal cannula”, as shown and described.

(51) **LOC (7) Cl.** ..... **24-02**

(52) **U.S. Cl.** ..... **D24/128**

(58) **Field of Search** ..... D24/128, 164;  
128/DIG. 26, DIG. 6, DIG. 15, 207.18,  
207.17, 207.14, 200.26, 207.02; 2/DIG. 11,  
209.4, 181; 604/179; 24/442, 16 PB, 450;  
D2/894, 625

**DESCRIPTION**

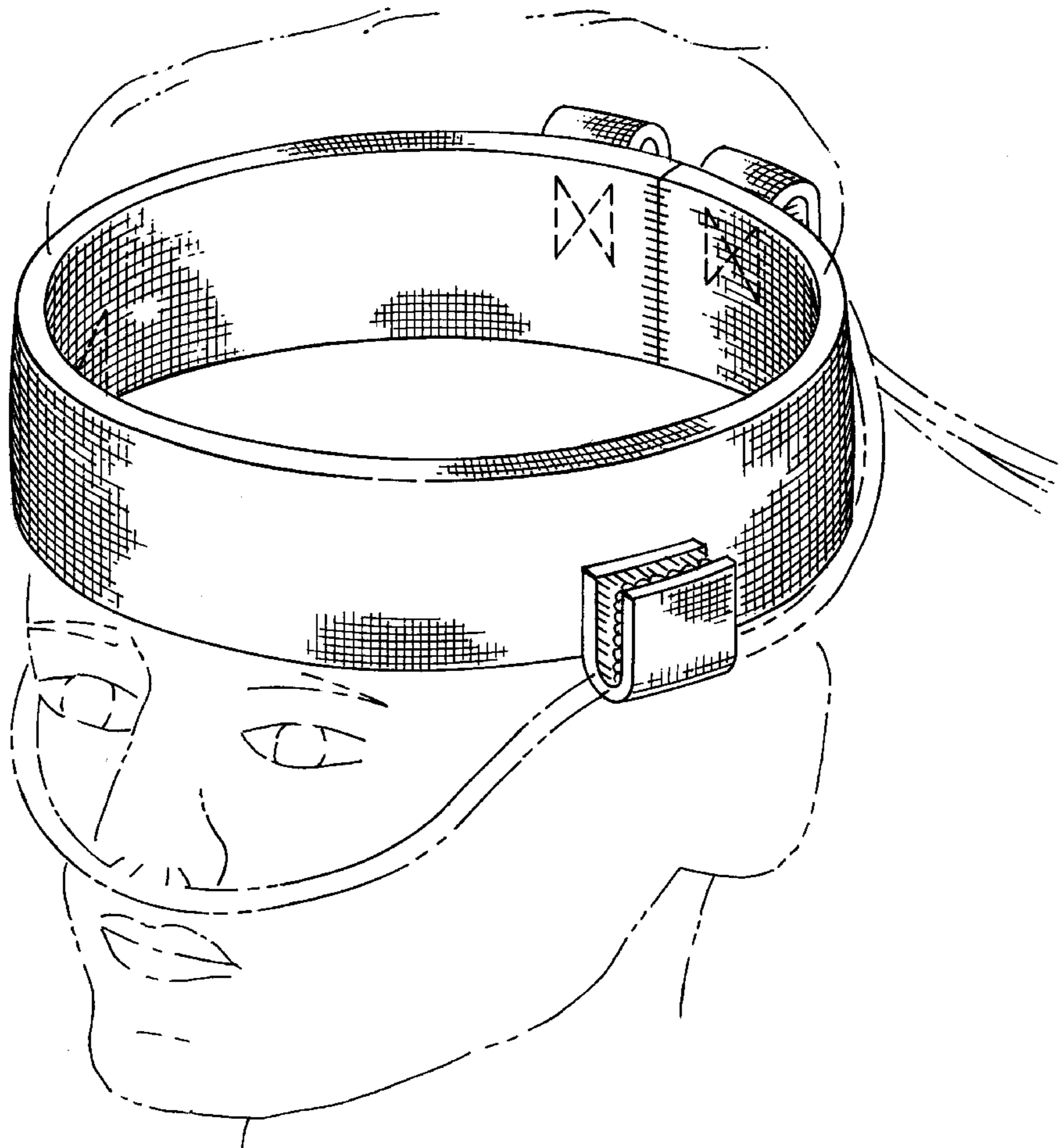
FIG. 1 is a perspective view of a head band for supporting a nasal cannula showing my new design, the broken line showing of the head is for illustrative purposes only and forms no part of the claimed design;  
FIG. 2 is a side view thereof;  
FIG. 3 is a front view thereof;  
FIG. 4 is a top plan view thereof;  
FIG. 5 is a rear view thereof; and,  
FIG. 6 is a bottom plan view thereof.

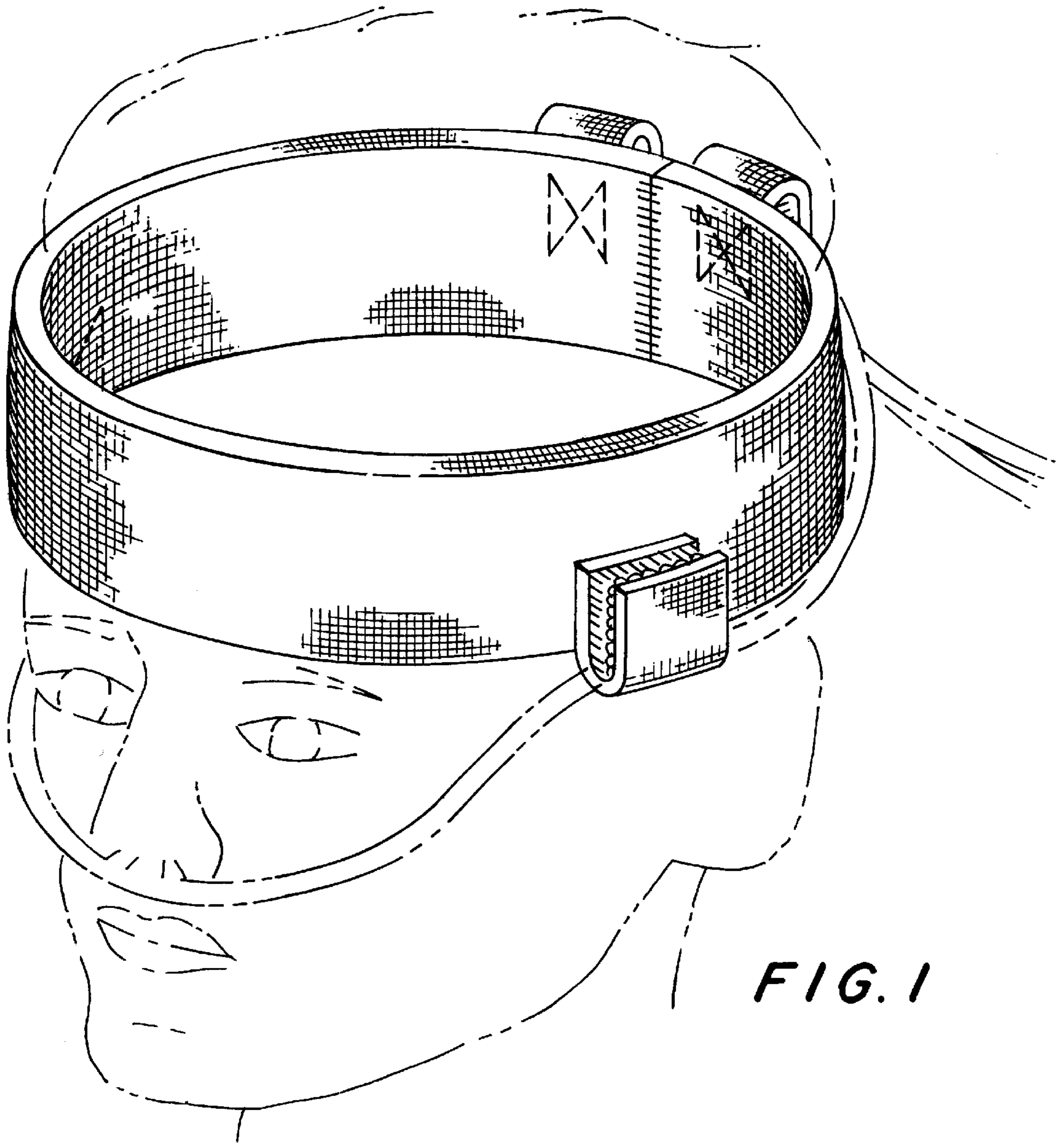
(56) **References Cited**

**U.S. PATENT DOCUMENTS**

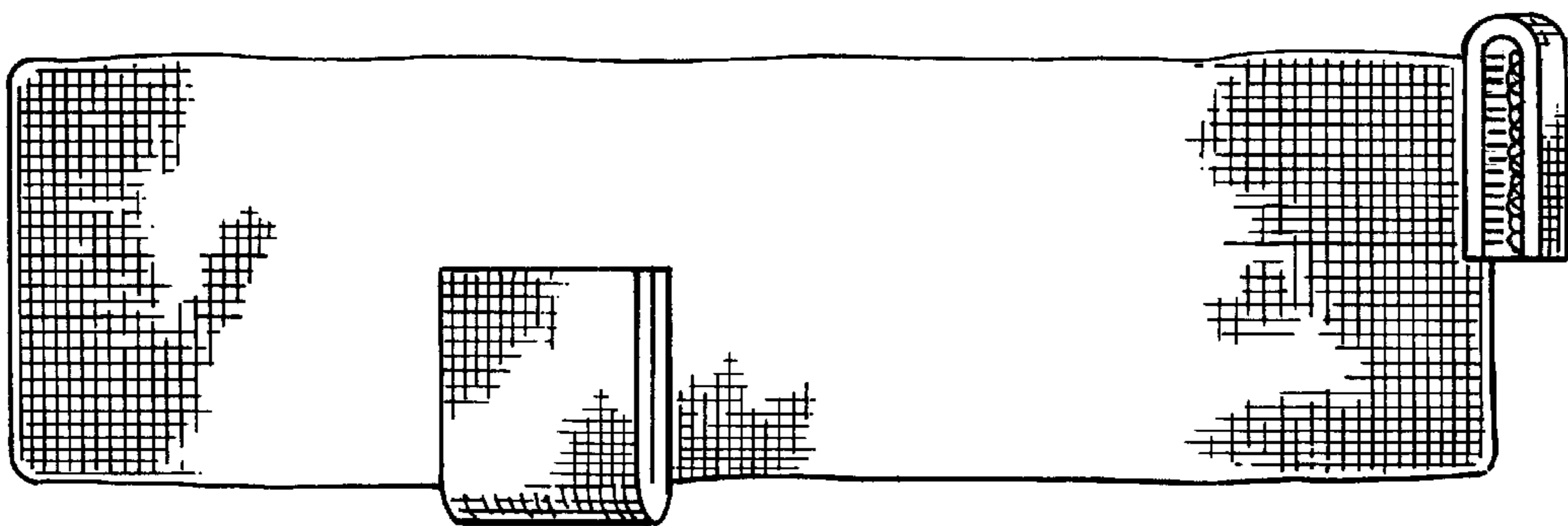
4,665,566 A \* 5/1987 Garrow ..... 128/DIG. 26  
4,836,200 A \* 6/1989 Clark ..... 128/DIG. 26  
D336,684 S \* 6/1993 Hutton ..... D24/164

**1 Claim, 3 Drawing Sheets**



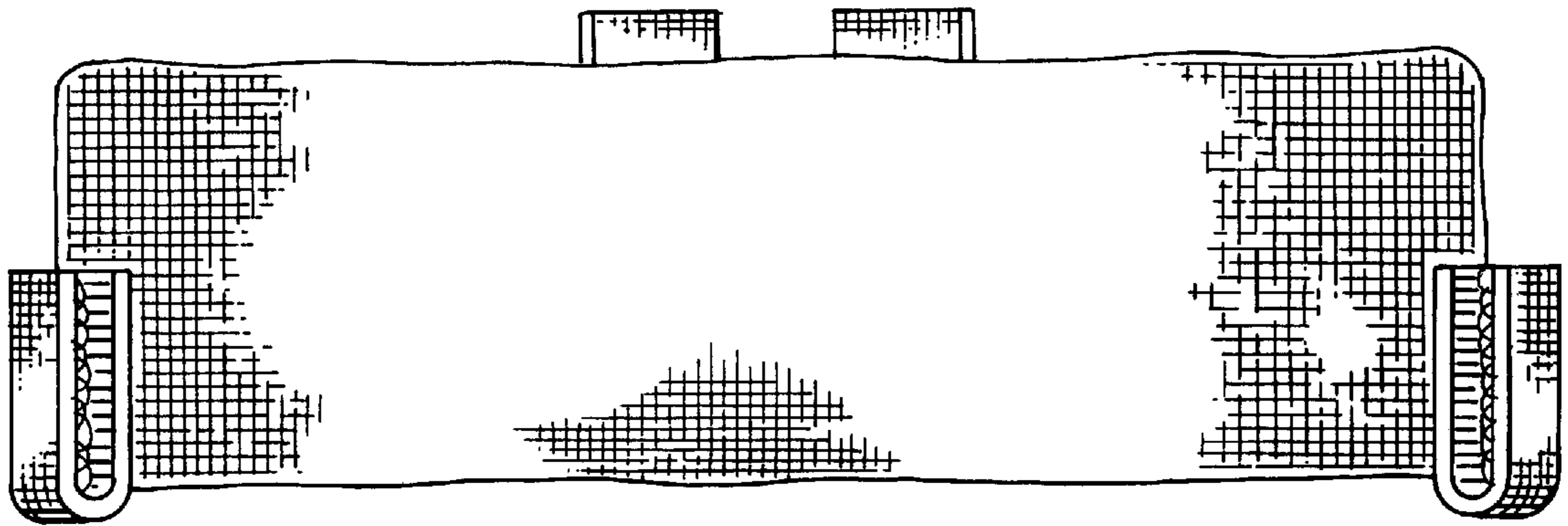


*FIG. 1*

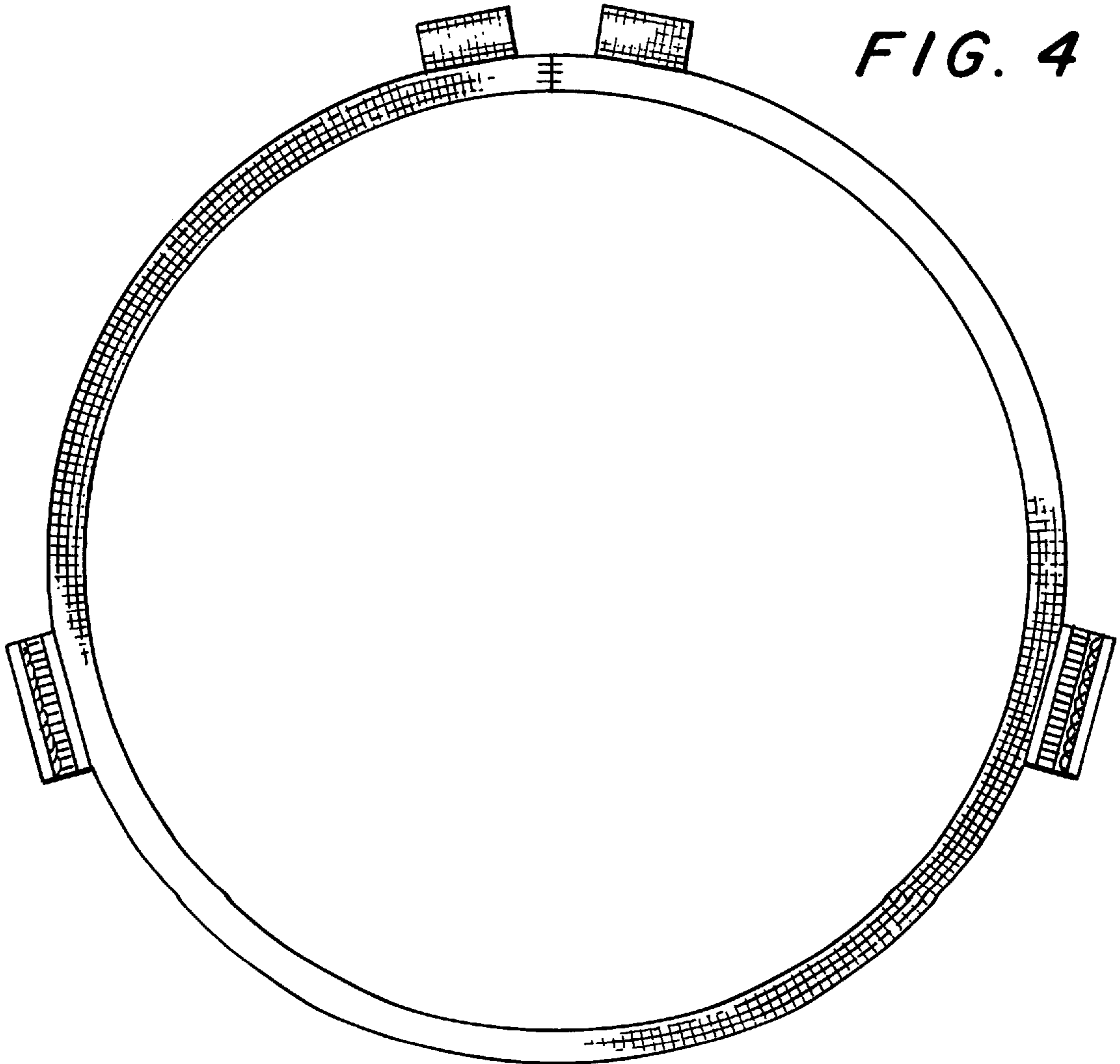


*FIG. 2*

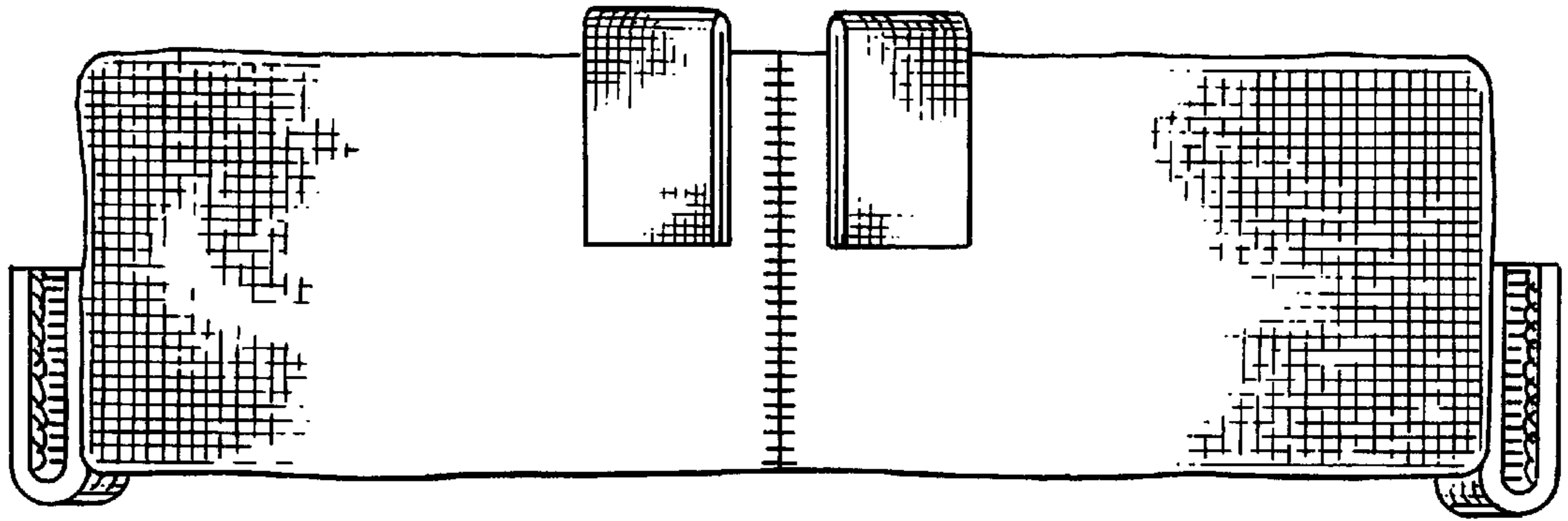
*FIG. 3*



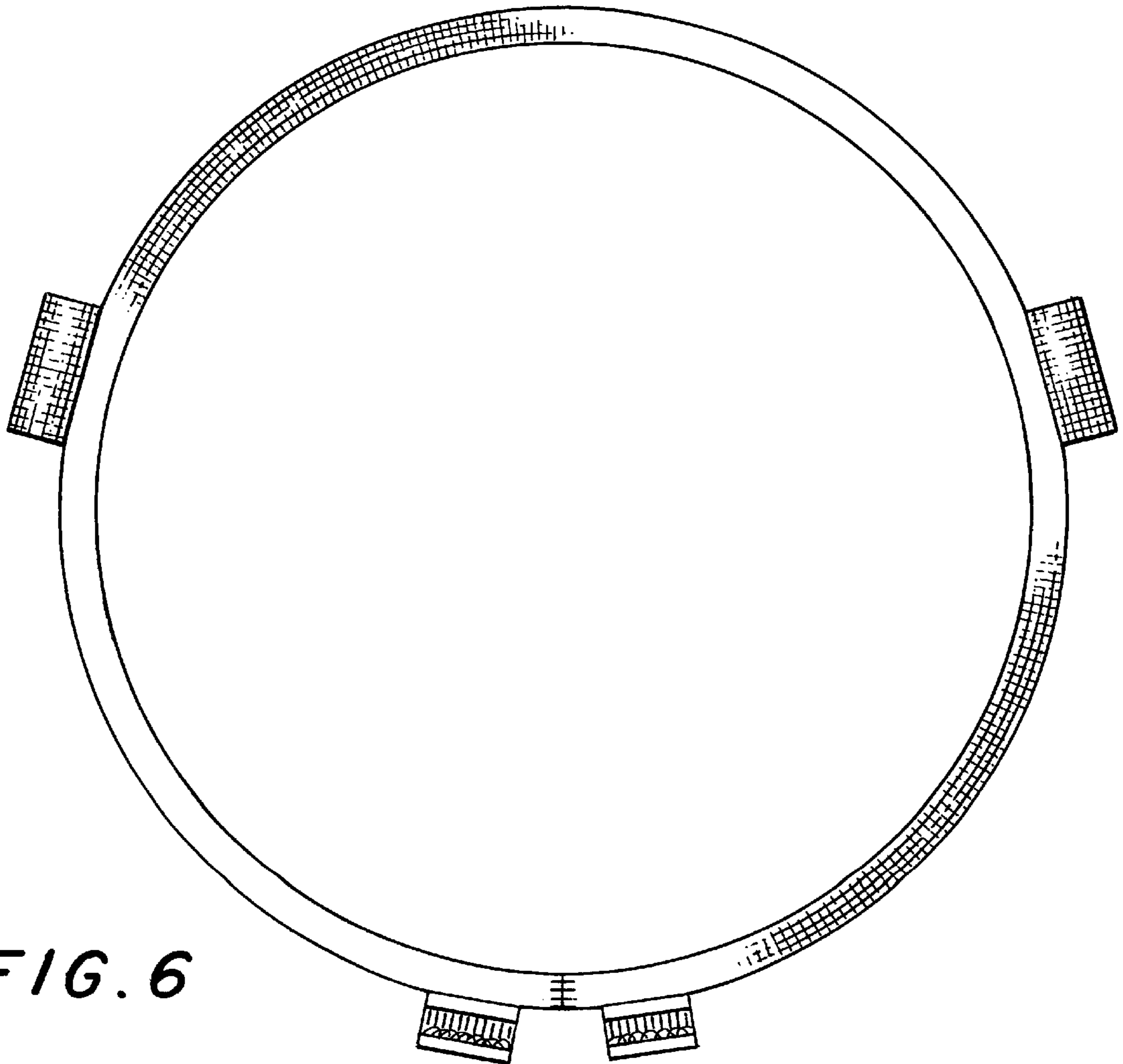
*FIG. 4*







**FIG. 5**



**FIG. 6**