



US00D479326S

(12) **United States Design Patent**  
**Pollock et al.**

(10) **Patent No.: US D479,326 S**

(45) **Date of Patent: \*\* Sep. 2, 2003**

(54) **DISPENSER, IN PARTICULAR FOR A  
FOAMED SCLEROSING AGENT**

(75) **Inventors: Neil Pollock, Royston (GB); Gary  
Stewart Sinclair, Newmarket (GB)**

(73) **Assignee: BTG International Limited, London  
(GB)**

(\*\*) **Term: 14 Years**

(21) **Appl. No.: 29/150,491**

(22) **Filed: Nov. 26, 2001**

(30) **Foreign Application Priority Data**

May 25, 2001 (GB) ..... 2102089

(51) **LOC (7) Cl. .... 24-04**

(52) **U.S. Cl. .... D24/121; D24/108**

(58) **Field of Search .... D24/121, 119,  
D24/108; D9/448, 452, 449; 222/145.1,  
631, 133, 136, 135, 155, 145.5, 385**

(56) **References Cited**

**U.S. PATENT DOCUMENTS**

3,698,453 A 10/1972 Morane et al.

3,861,564 A \* 1/1975 Loeffler et al. .... 222/631

3,904,124 A \* 9/1975 Caron et al. .... 222/631

3,926,343 A \* 12/1975 Kleiner ..... 222/145.5

4,214,677 A \* 7/1980 Bauer et al. .... 222/145.5

5,881,956 A \* 3/1999 Cohen et al. .... 222/385

**FOREIGN PATENT DOCUMENTS**

EP 0 217 582 4/1987

EP 0 997 396 5/2000

GB 1059265 2/1967

\* cited by examiner

*Primary Examiner*—Ian Simmons

(74) *Attorney, Agent, or Firm*—Nixon & Vanderhye

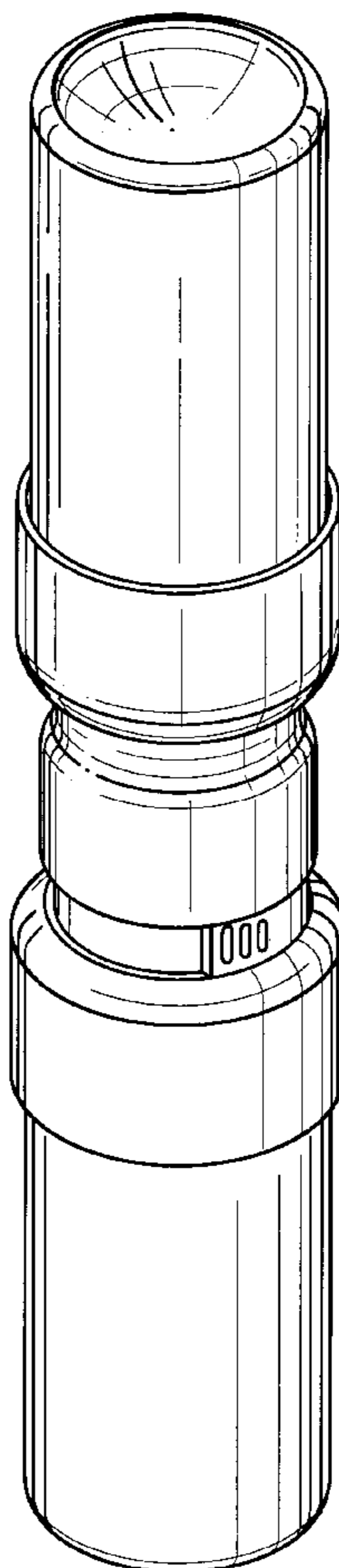
(57) **CLAIM**

The ornamental design for a dispenser, in particular for a foamed sclerosing agent, as shown and described.

**DESCRIPTION**

FIG. 1 is a perspective view from above and one side; FIG. 2 is a view from another side; FIG. 3 is a plan view (underneath plan view corresponds); FIG. 4 is a rear view thereof, with the clip removed; and, FIG. 5 is a rear view show in depressed condition.

**1 Claim, 2 Drawing Sheets**



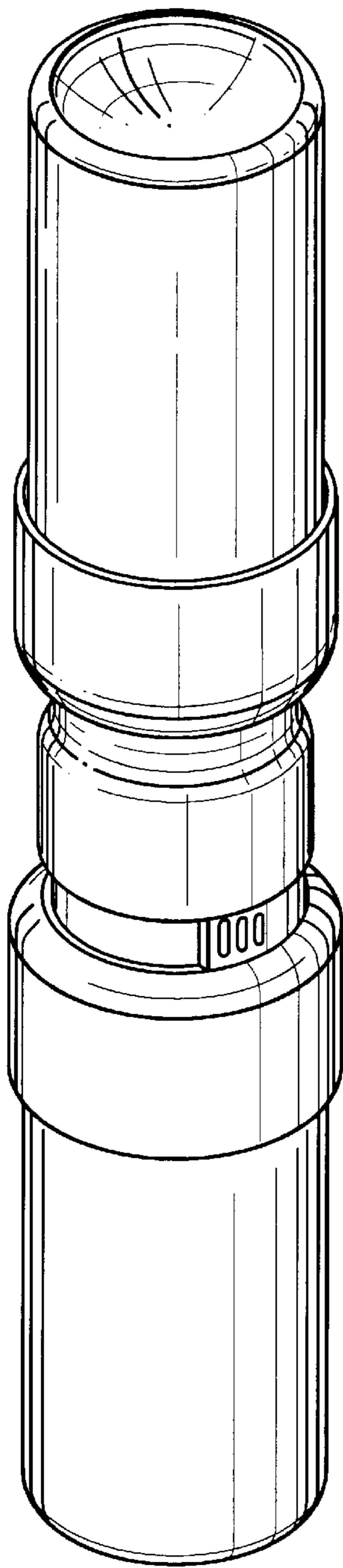


Fig.1

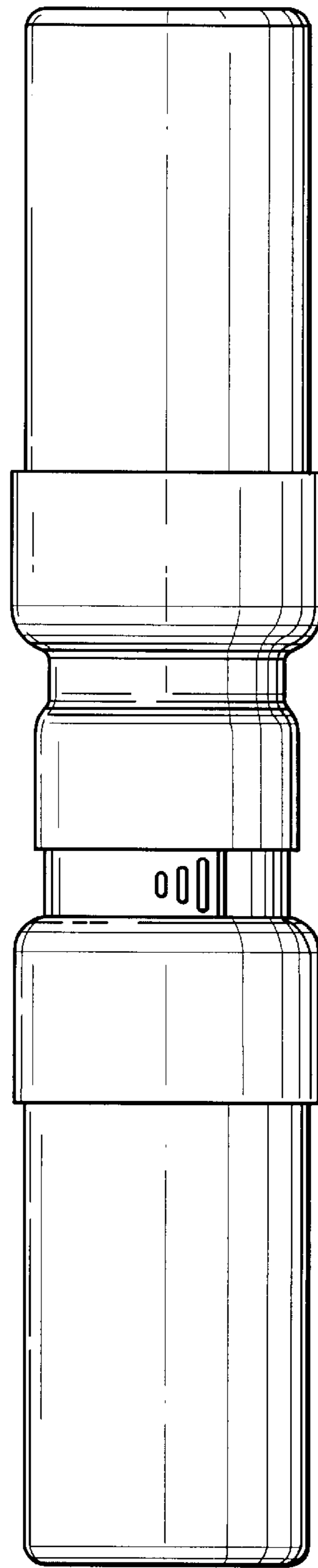


Fig.2

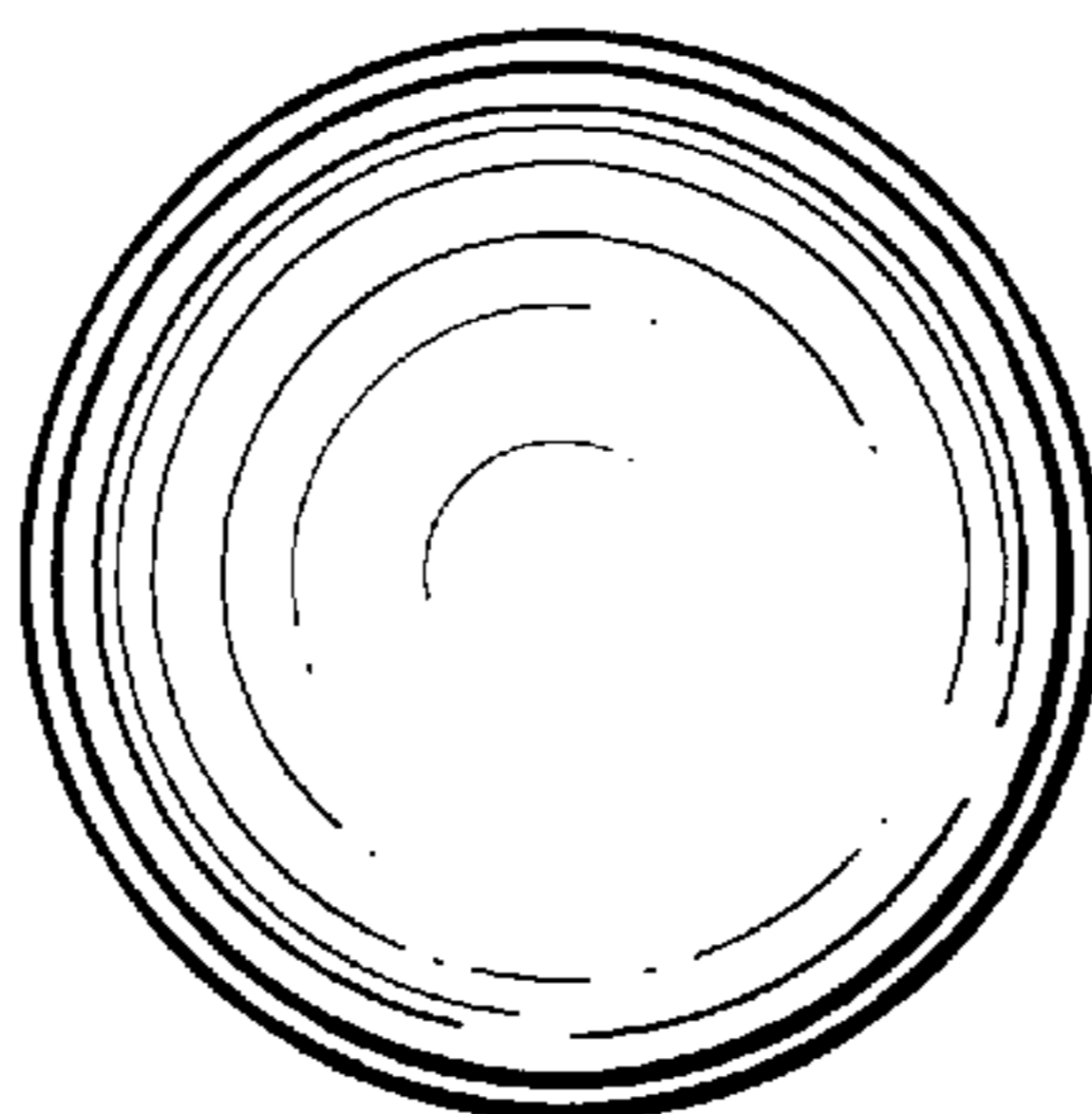


Fig.3

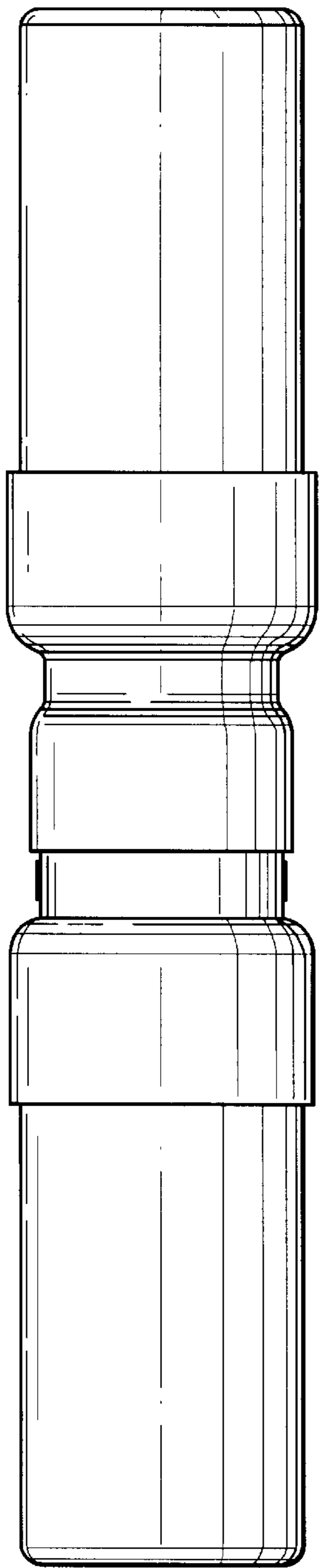


Fig.4

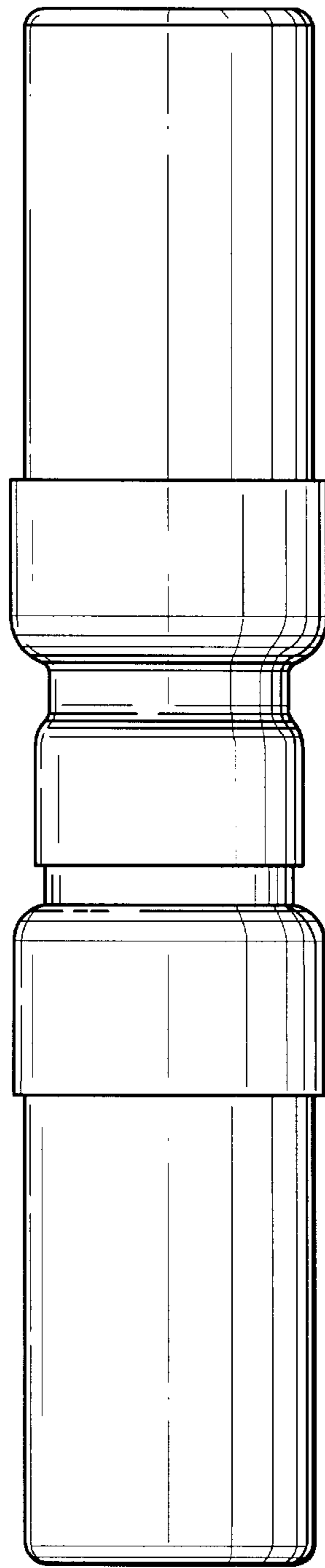


Fig.5