



US00D479322S

(12) **United States Design Patent**
Robertson et al.

(10) **Patent No.:** **US D479,322 S**

(45) **Date of Patent:** **** Sep. 2, 2003**

(54) **MOUTHPIECE FOR AN INHALATION DEVICE**

(75) **Inventors:** **Duncan Robertson, Ware (GB); Gary Robert Beaumont, Ware (GB); George Alan Robusti, Ware (GB)**

(73) **Assignee:** **SmithKline Beecham Corporation, Philadelphia, PA (US)**

(**) **Term:** **14 Years**

(21) **Appl. No.:** **29/137,787**

(22) **Filed:** **Feb. 26, 2001**

(30) **Foreign Application Priority Data**

Aug. 26, 2000 (GB) 2095345

(51) **LOC (7) Cl.** **29-02**

(52) **U.S. Cl.** **D24/110.5; D24/110**

(58) **Field of Search** **D24/110, 110.4, D24/110.5; 128/203.23, 200.23, 200.24, 200.16, 200.18, 200.25**

(56) **References Cited**

U.S. PATENT DOCUMENTS

D276,654 S * 12/1984 Snellman-Wasenius et al. D24/110
6,039,042 A * 3/2000 Sladek 128/200.23
6,293,279 B1 * 9/2001 Schmidt et al. 128/200.23
D449,882 S * 10/2001 Christrup et al. D24/110

* cited by examiner

Primary Examiner—Ian Simmons

(74) *Attorney, Agent, or Firm*—James P. Riek

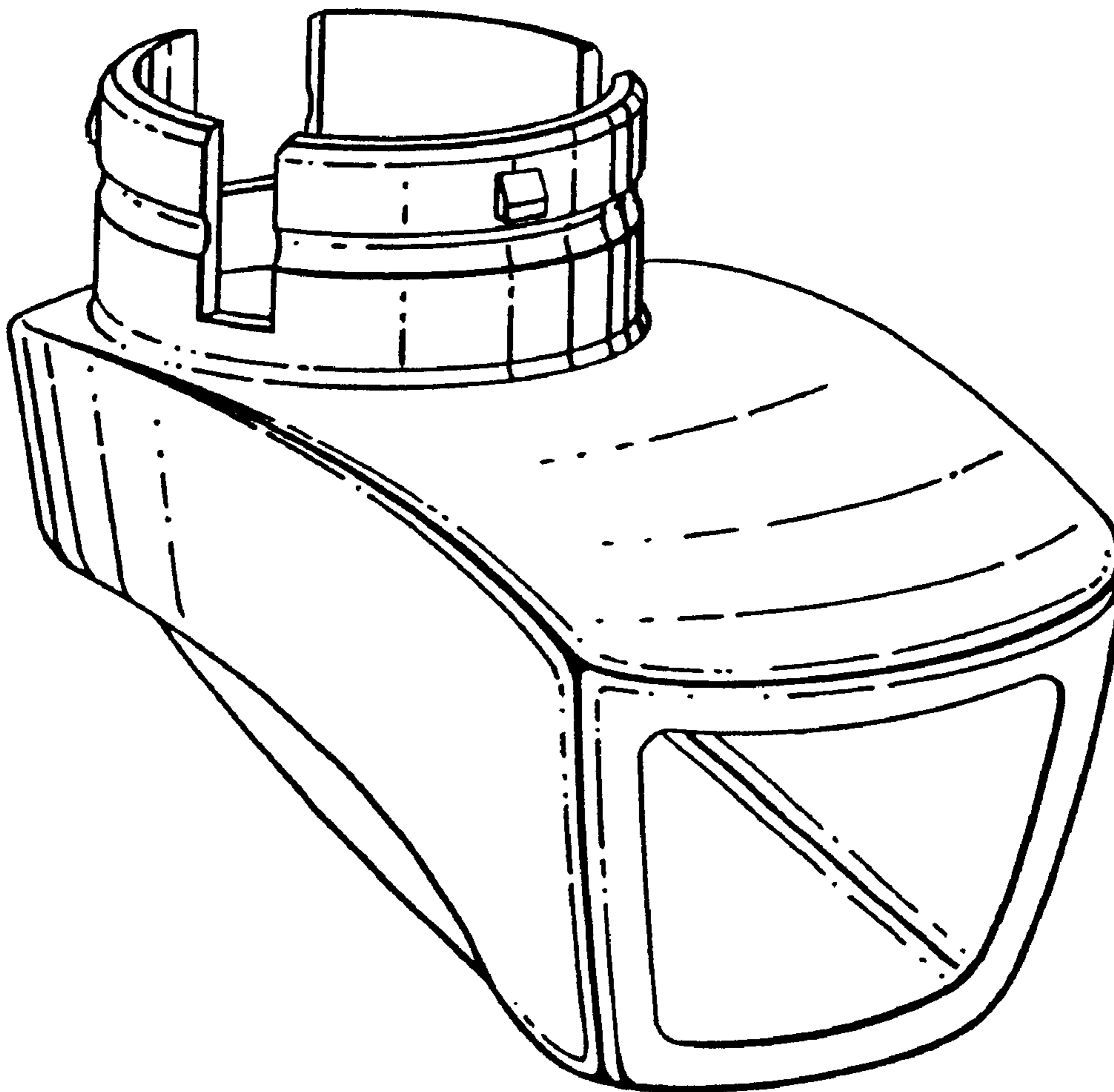
(57) **CLAIM**

The ornamental design for a mouthpiece for an inhalation device, as shown and described.

DESCRIPTION

FIG. 1 is a perspective view of a mouthpiece for an inhalation device showing our new design;
FIG. 2 is a side view thereof;
FIG. 3 is a front view thereof; and,
FIG. 4 is a bottom view thereof.

1 Claim, 2 Drawing Sheets



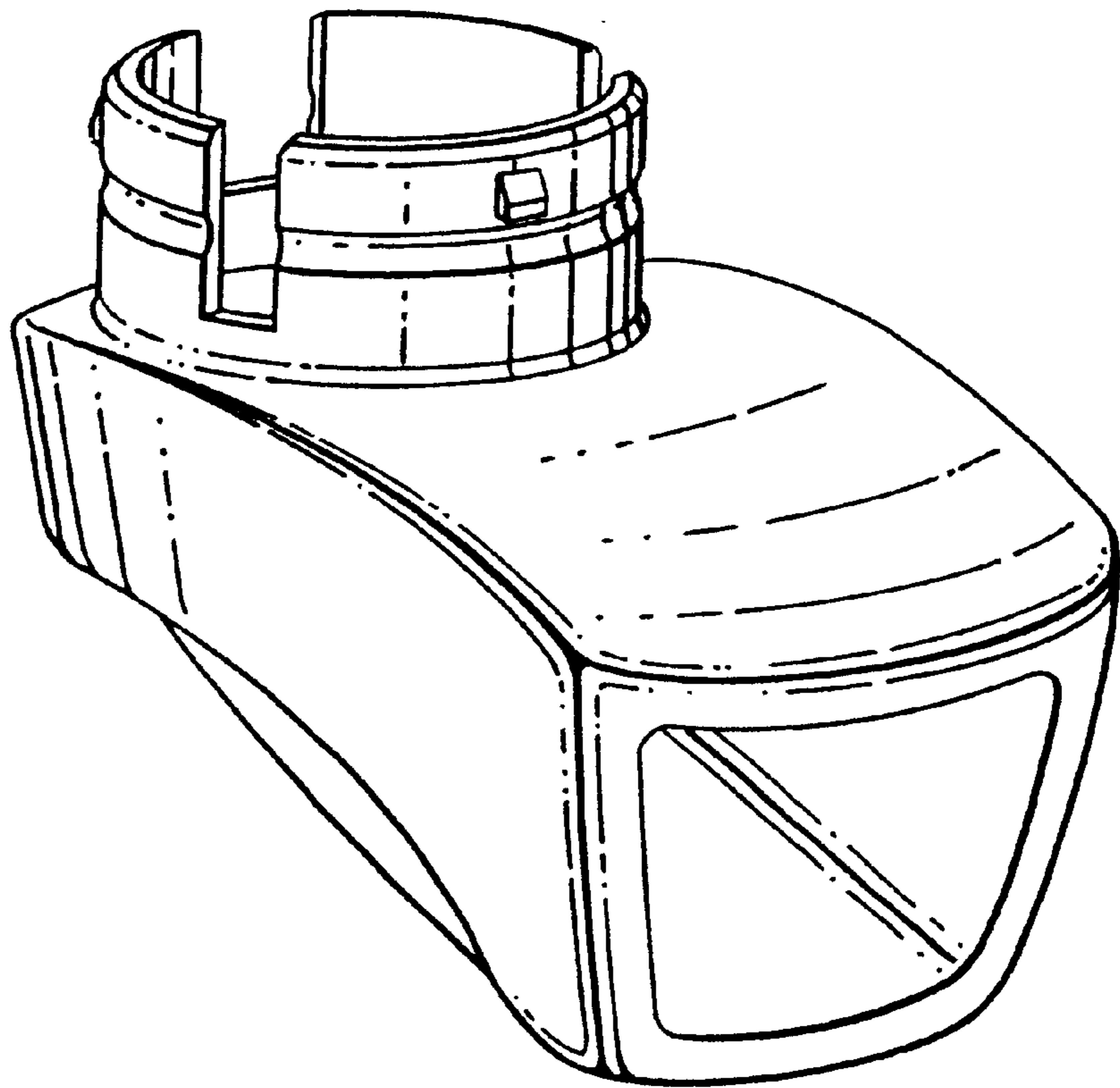


FIG. 1

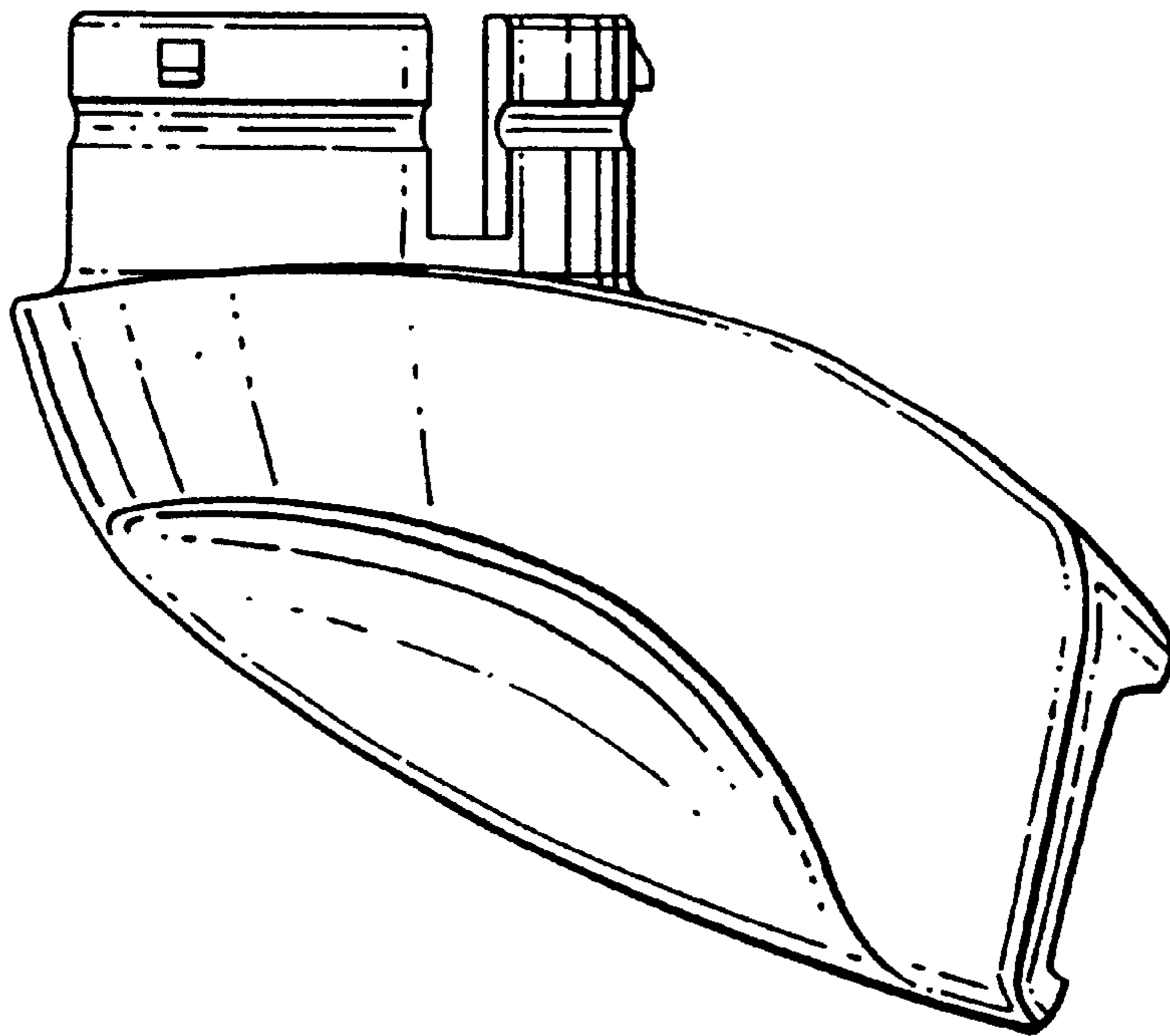


FIG. 2

FIG.3

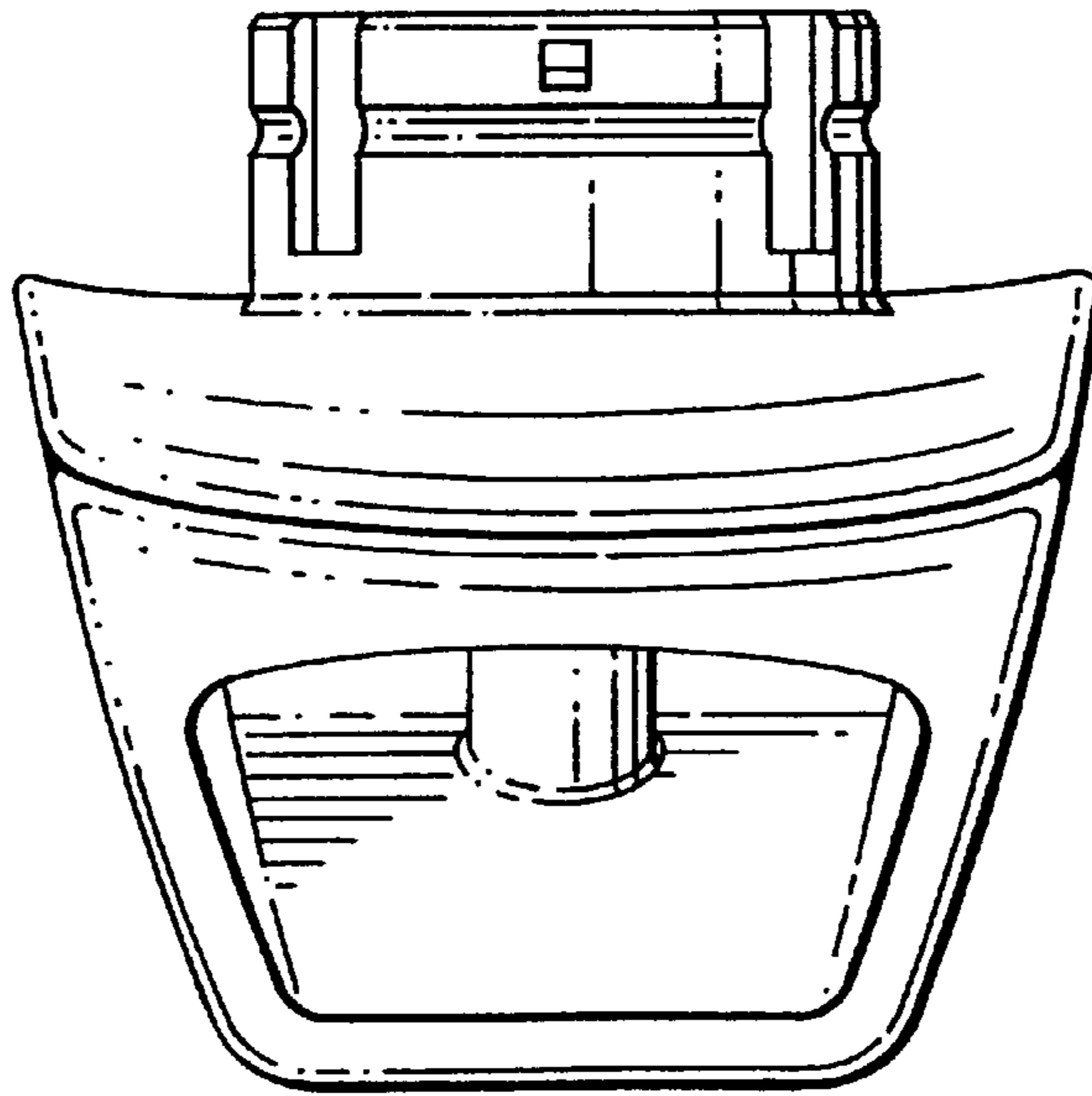


FIG.4

