



US00D479320S

(12) **United States Design Patent**  
**O'Mahony et al.**

(10) **Patent No.:** **US D479,320 S**

(45) **Date of Patent:** **\*\* Sep. 2, 2003**

(54) **BLOOD FILTER AND TUBING HARNESS FOR EXTRACORPOREAL BLOOD TREATMENT**

(75) Inventors: **John J. O'Mahony**, Hackensack, NJ (US); **Steven Bernard**, Yonkers, NY (US); **Douglas Francis Walker**, Los Angeles, CA (US)

(73) Assignee: **CHF Solutions, Inc.**, New York, NY (US)

(\*\*) Term: **14 Years**

(21) Appl. No.: **29/158,273**

(22) Filed: **Apr. 3, 2002**

(51) **LOC (7) Cl.** ..... **24-01**

(52) **U.S. Cl.** ..... **D24/108; D24/111; D24/128**

(58) **Field of Search** ..... D24/108, 111, D24/128, 169, 162; 604/29, 30, 6.09, 6.1, 6.11; 210/646, 645, 650, 651

(56) **References Cited**

**U.S. PATENT DOCUMENTS**

D367,323 S	*	2/1996	Carr et al.	.....	D24/111
5,989,423 A	*	11/1999	Kamen et al.	.....	604/30
6,200,287 B1	*	3/2001	Keller et al.	.....	604/6.01
6,468,241 B1	*	10/2002	Gelfand et al.	.....	604/6.09

\* cited by examiner

*Primary Examiner*—Ian Simmons

(74) *Attorney, Agent, or Firm*—Nixon & Vanderhye P.C.

(57) **CLAIM**

The ornamental design for a blood filter and tubing harness for extracorporeal blood treatment, as shown and described.

**DESCRIPTION**

FIG. 1 is a front, top, right side perspective view of the blood filter and tubing harness for extracorporeal blood treatment;

FIG. 2 is a left elevational view of the harness shown in FIG. 1;

FIG. 3 is a right elevational view of the harness shown in FIG. 1;

FIG. 4 is a front elevational view of the harness shown in FIG. 1;

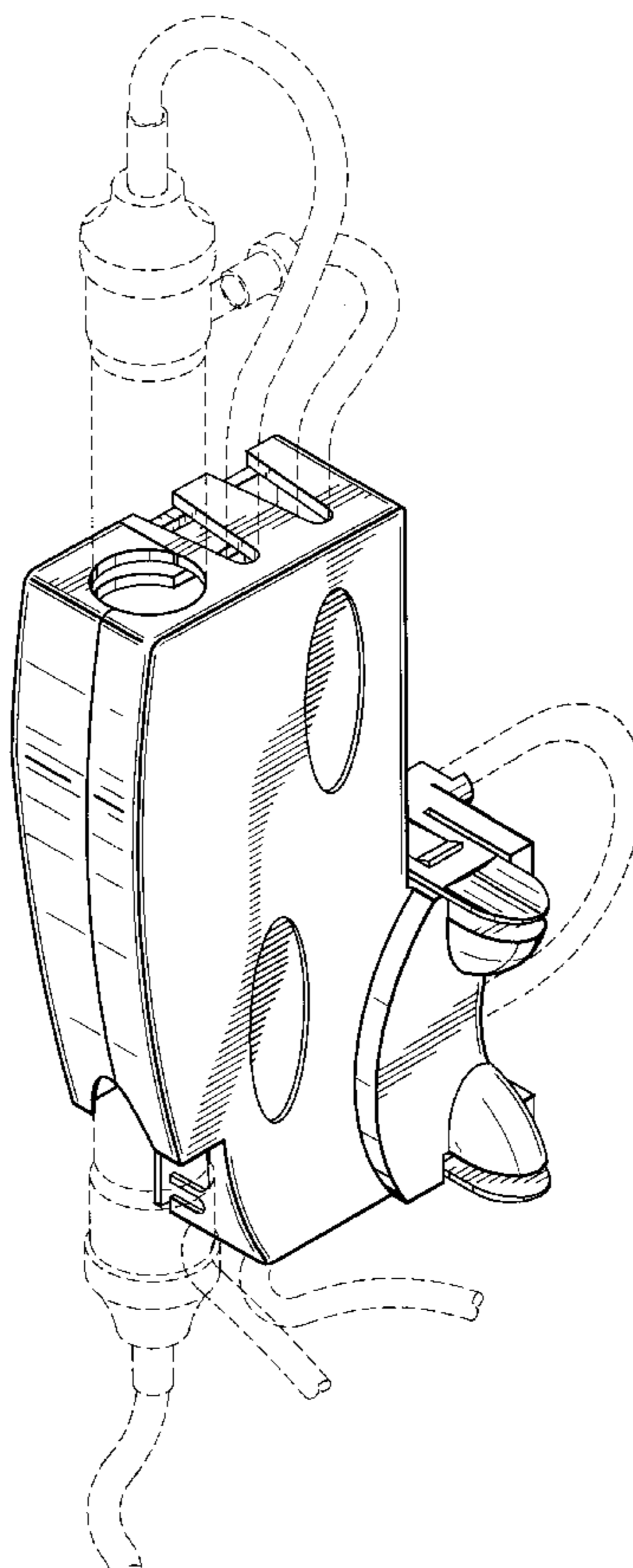
FIG. 5 is a rear elevational view of the harness shown in FIG. 1;

FIG. 6 is a top plan view of the harness shown in FIG. 1;

FIG. 7 is a bottom plan view of the harness shown in FIG. 1; and,

FIG. 8 is a perspective view of the harness shown in FIG. 1 wherein dotted lines are used to show a blood filter and tubing which are not part of the claimed invention.

**1 Claim, 6 Drawing Sheets**



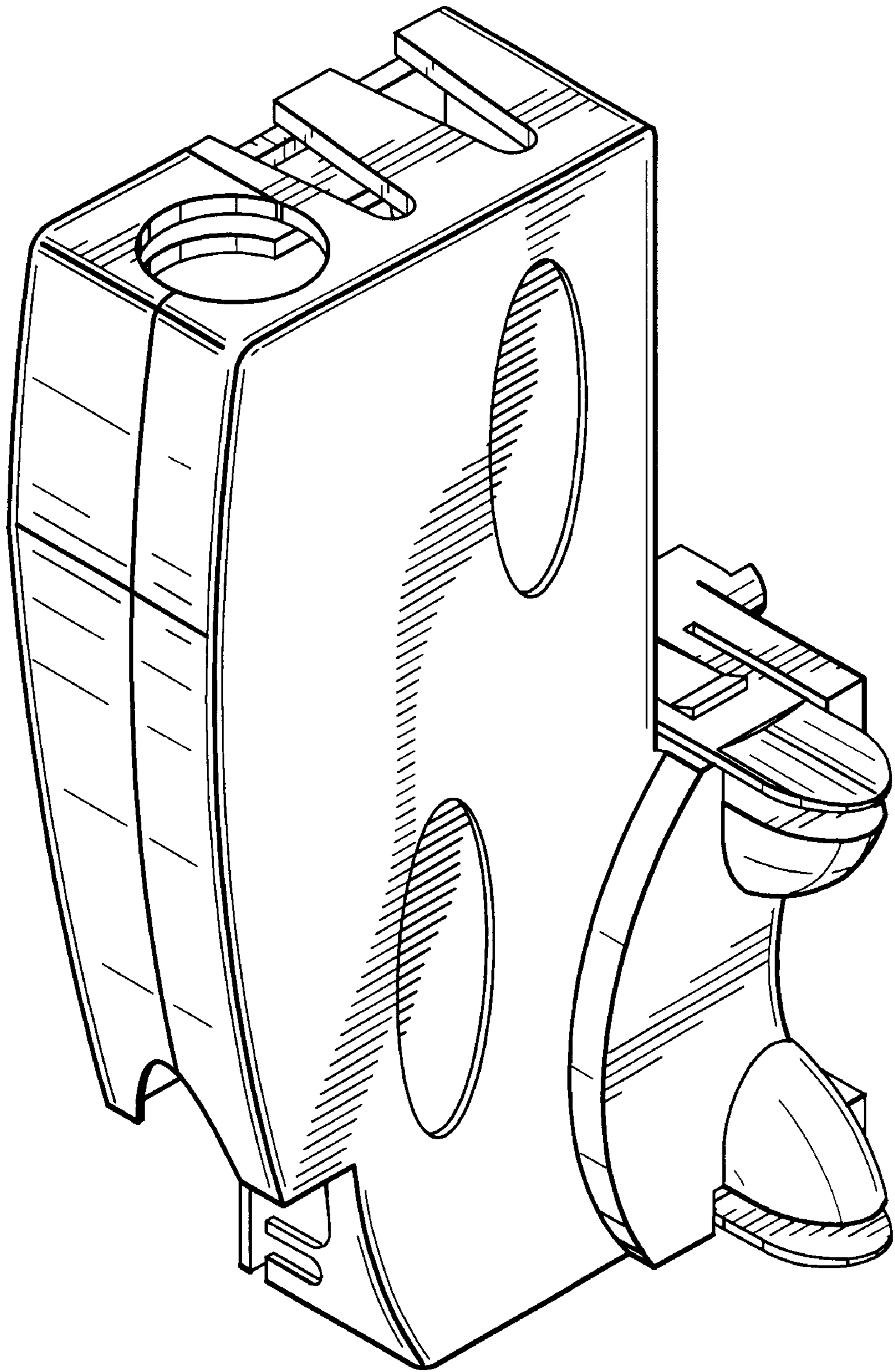


Fig. 1

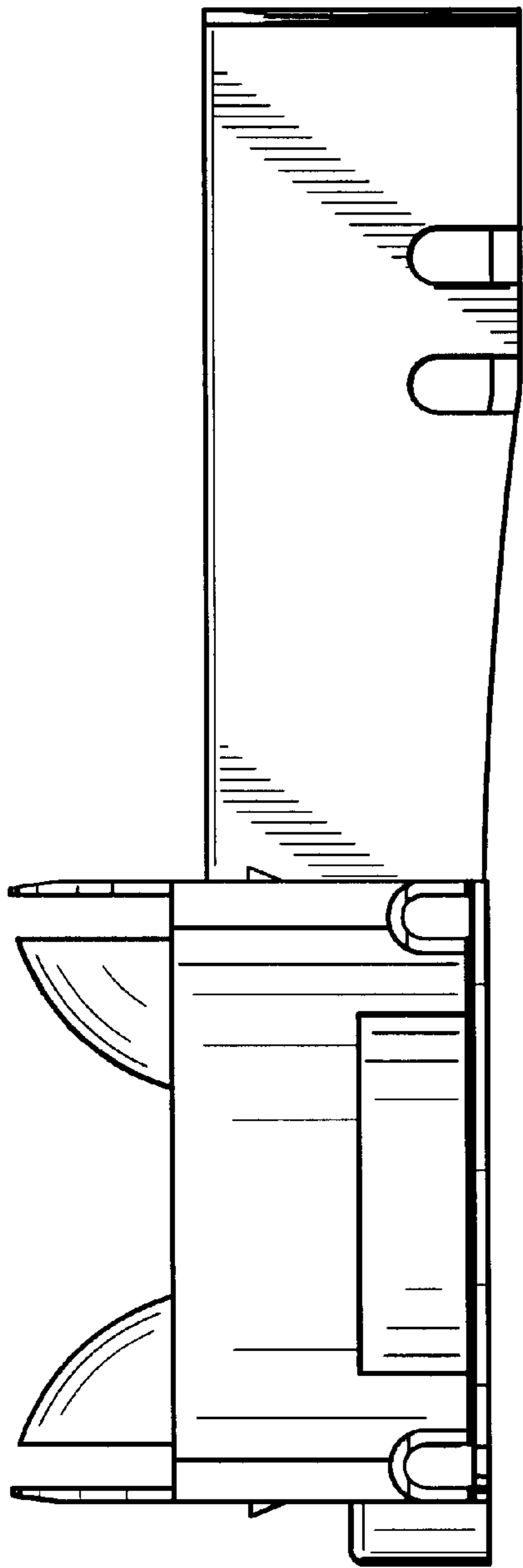


Fig. 2

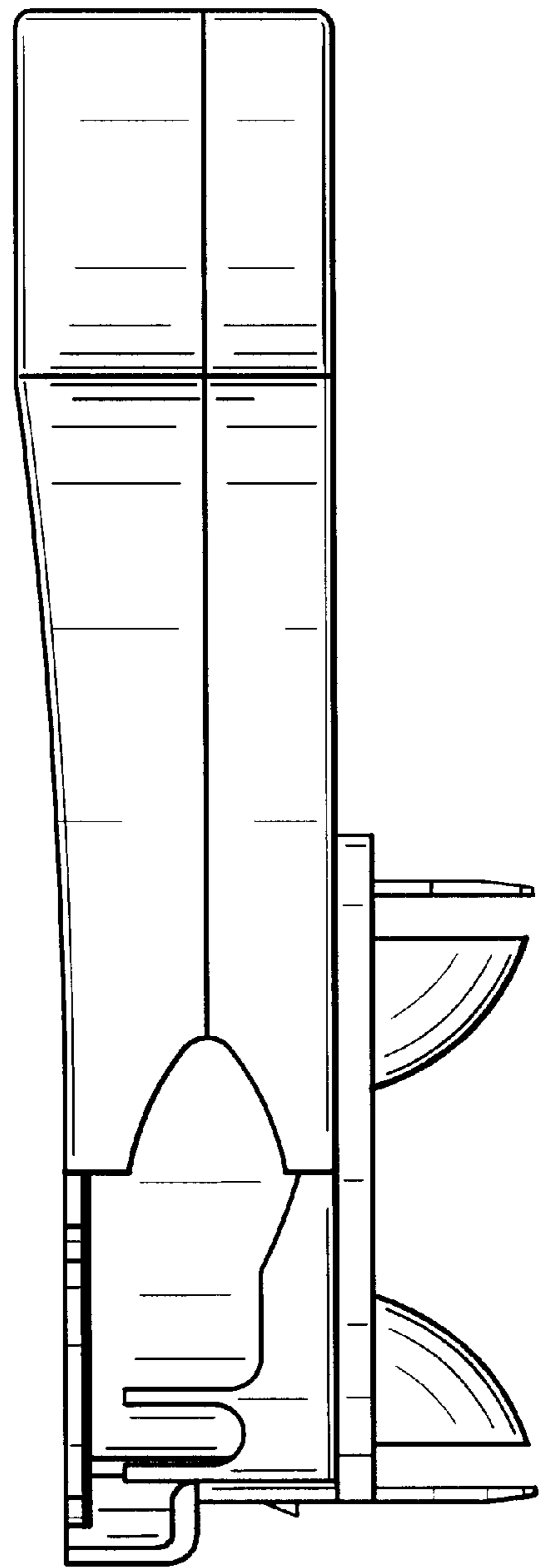


Fig. 3

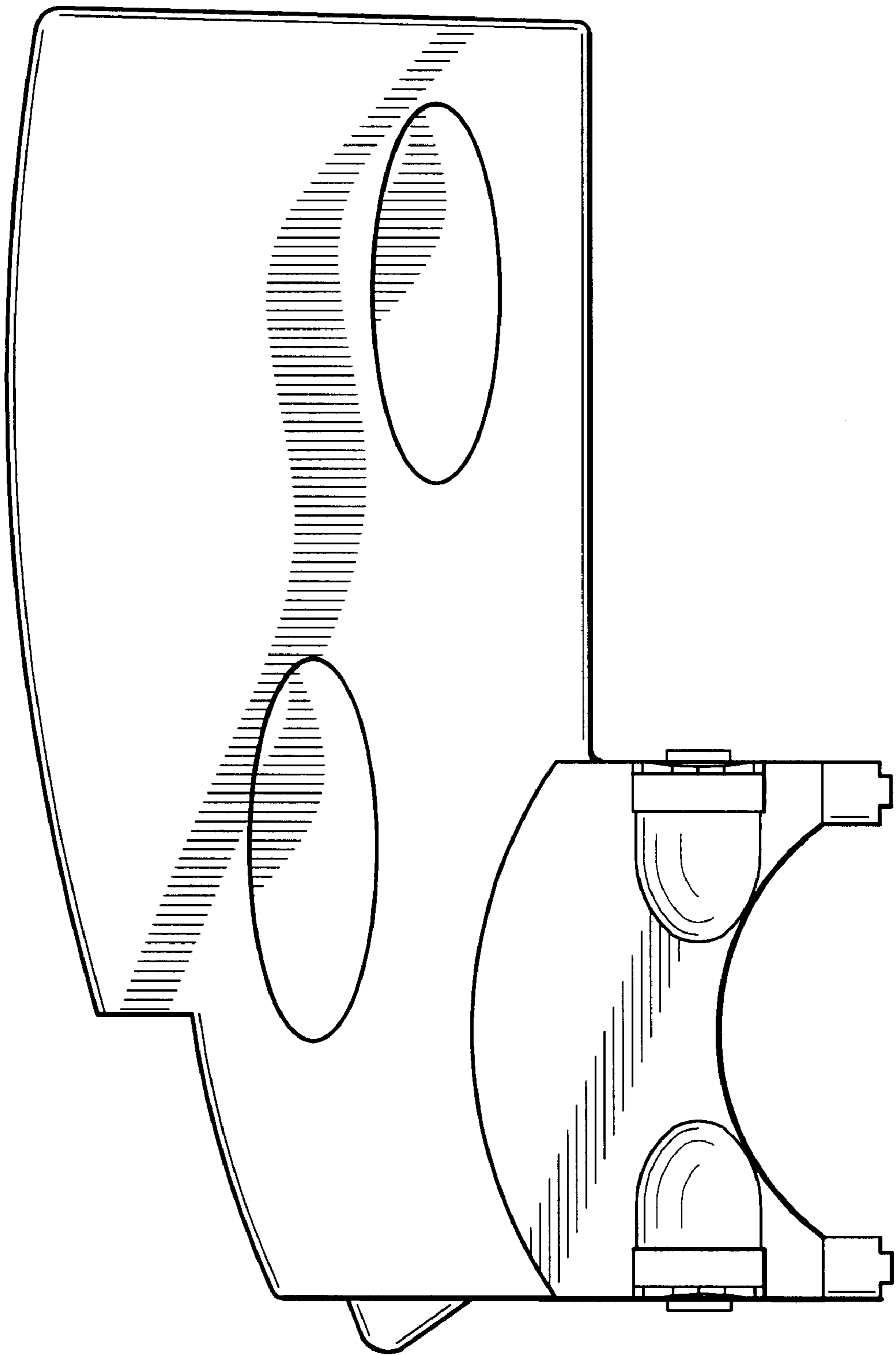


Fig.4

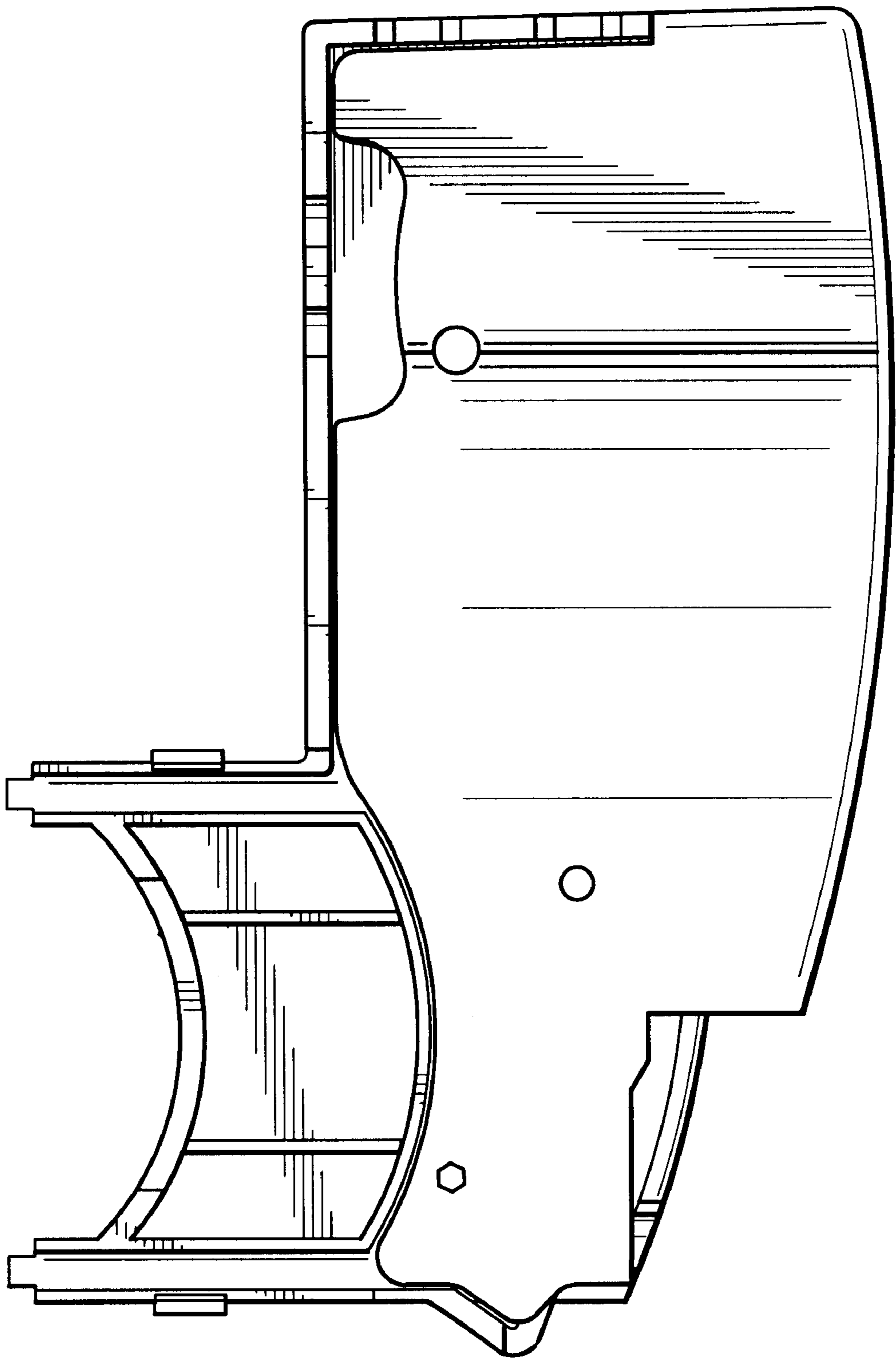


Fig.5

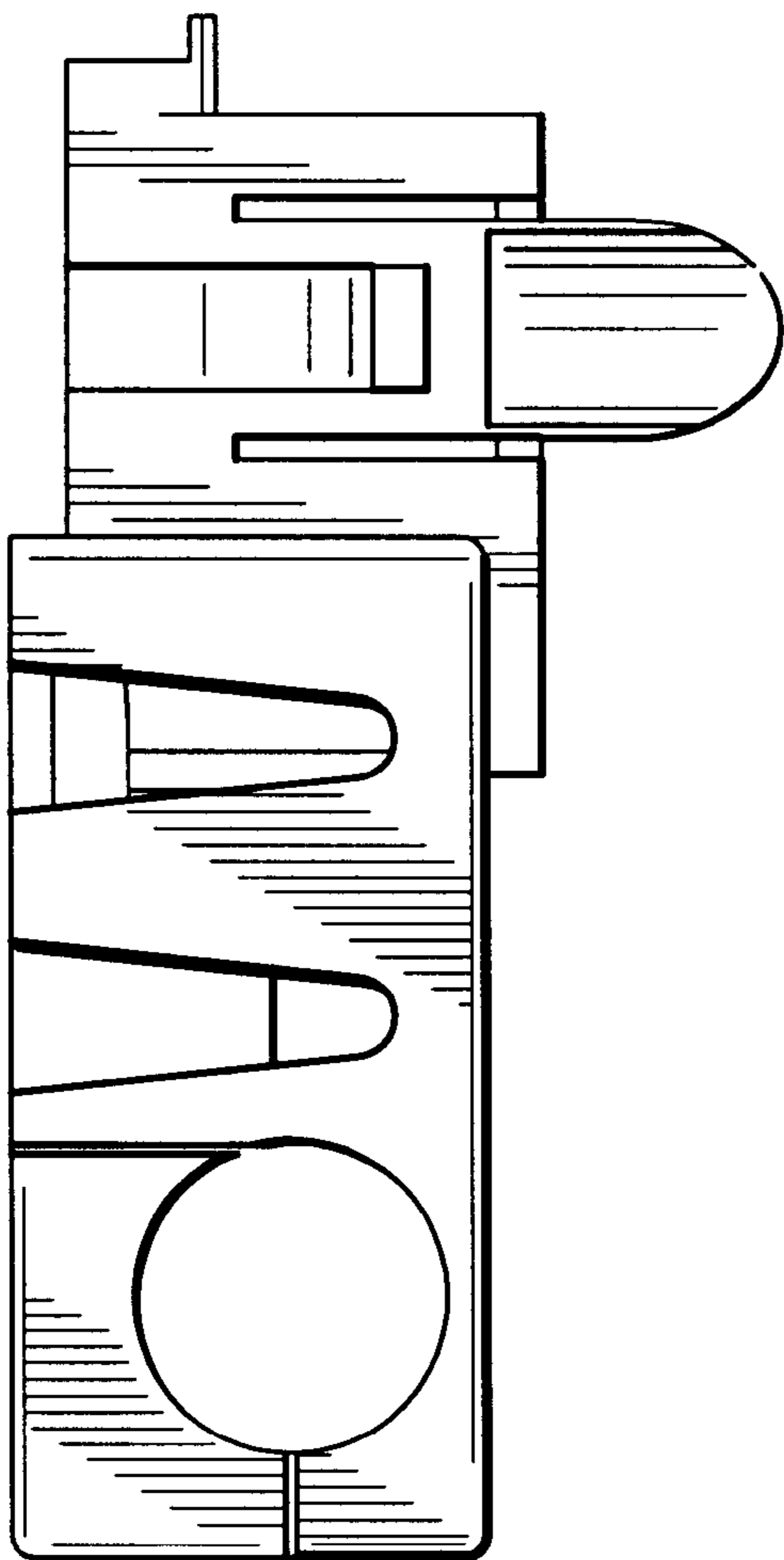


Fig.6

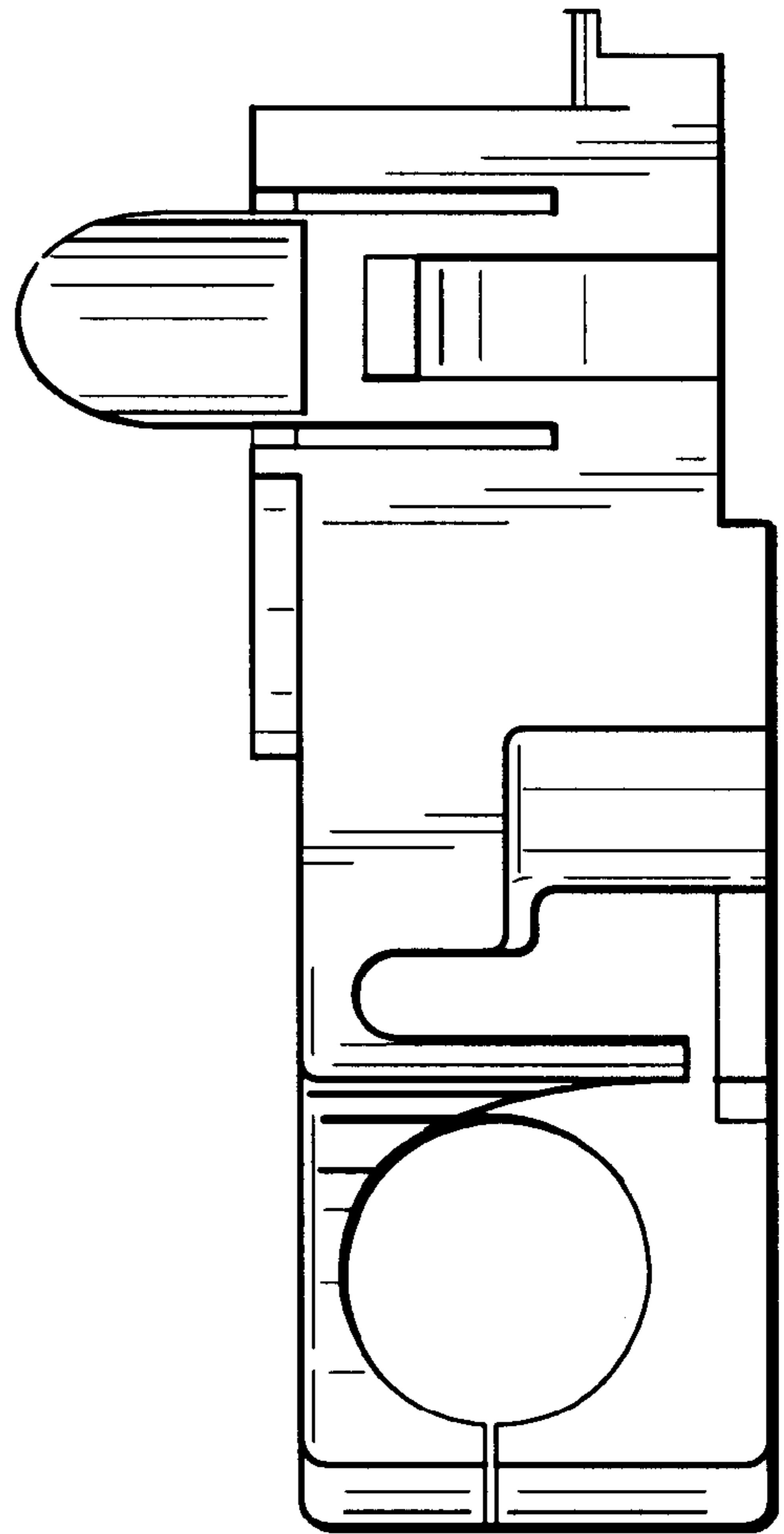


Fig.7



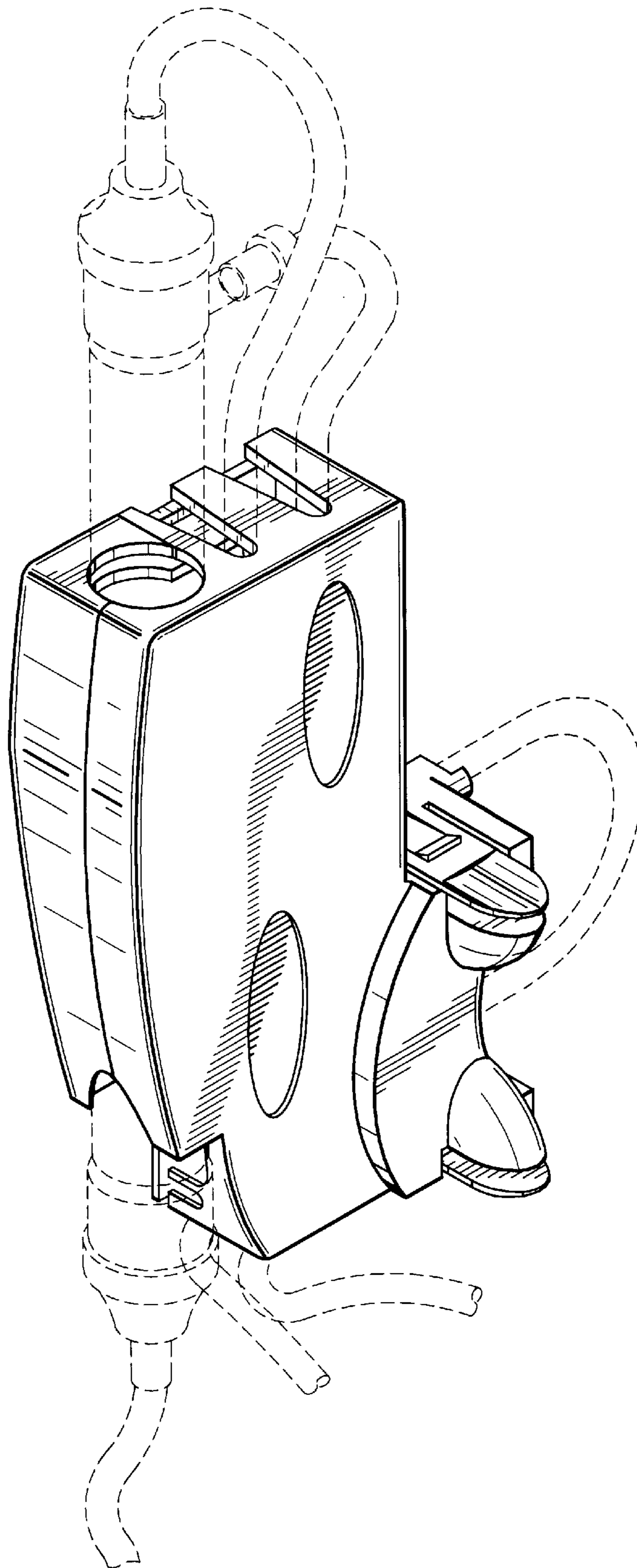


Fig.8