



US00D479317S

(12) **United States Design Patent**
Gajewski

(10) **Patent No.:** **US D479,317 S**

(45) **Date of Patent:** **** Sep. 2, 2003**

(54) **COMBINATION CEILING FAN AND LIGHT FIXTURE**

(75) **Inventor:** **Mark Gajewski**, San Luis Obispo, CA (US)

(73) **Assignee:** **Minka Lighting, Inc.**, Corona, CA (US)

(**) **Term:** **14 Years**

(21) **Appl. No.:** **29/161,352**

(22) **Filed:** **May 28, 2002**

(51) **LOC (7) Cl.** **23-04**

(52) **U.S. Cl.** **D23/377**

(58) **Field of Search** D23/377, 379, D23/385, 411, 413; 416/5; D26/51, 59, 72, 81-86, 88; 392/364; 362/96

(56) **References Cited**

U.S. PATENT DOCUMENTS

- D417,496 S * 12/1999 Chang et al. D23/377
- D417,499 S * 12/1999 Zuege D23/411
- D428,133 S * 7/2000 Chen D23/411

* cited by examiner

Primary Examiner—Lisa Lichtenstein

(74) *Attorney, Agent, or Firm*—Jenkins & Gilchrist, P.C.

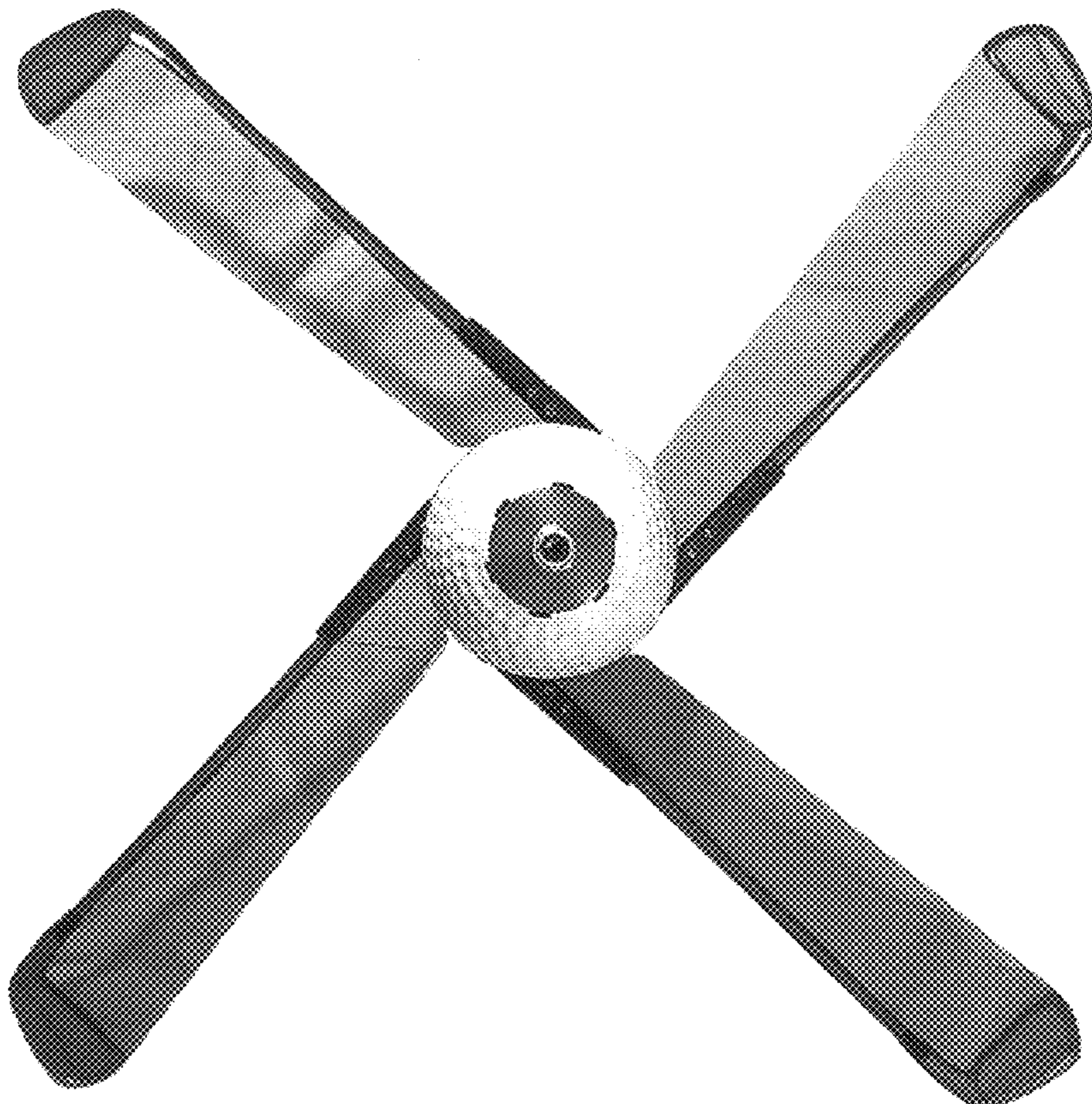
(57) **CLAIM**

The ornamental design for a combination ceiling fan and light fixture, as shown and described.

DESCRIPTION

FIG. 1 is a top view of the combination ceiling fan and light fixture in accordance with my design;
 FIG. 2 is a bottom view of the combination ceiling fan and light fixture in accordance with my design;
 FIG. 3 is a side elevation view of the combination ceiling fan and light fixture in accordance with my design;
 FIG. 4 is a front elevation view of the combination ceiling fan and light fixture in accordance with my design;
 FIG. 5 is a perspective view from below of the combination ceiling fan and light fixture in accordance with my design;
 FIG. 6 is an enlarged partial side view of the combination ceiling fan and light fixture in accordance with my design;
 FIG. 7 is an enlarged partial perspective view from above of the combination ceiling fan and light fixture in accordance with my design; and,
 FIG. 8 is an enlarged partial top view of a single blade of the combination ceiling fan and light fixture in accordance with my design, shown separately for clarity of illustration.
 The right and left side elevation views are mirror images of each other.
 The front and back elevation views are mirror images of each other.

1 Claim, 6 Drawing Sheets



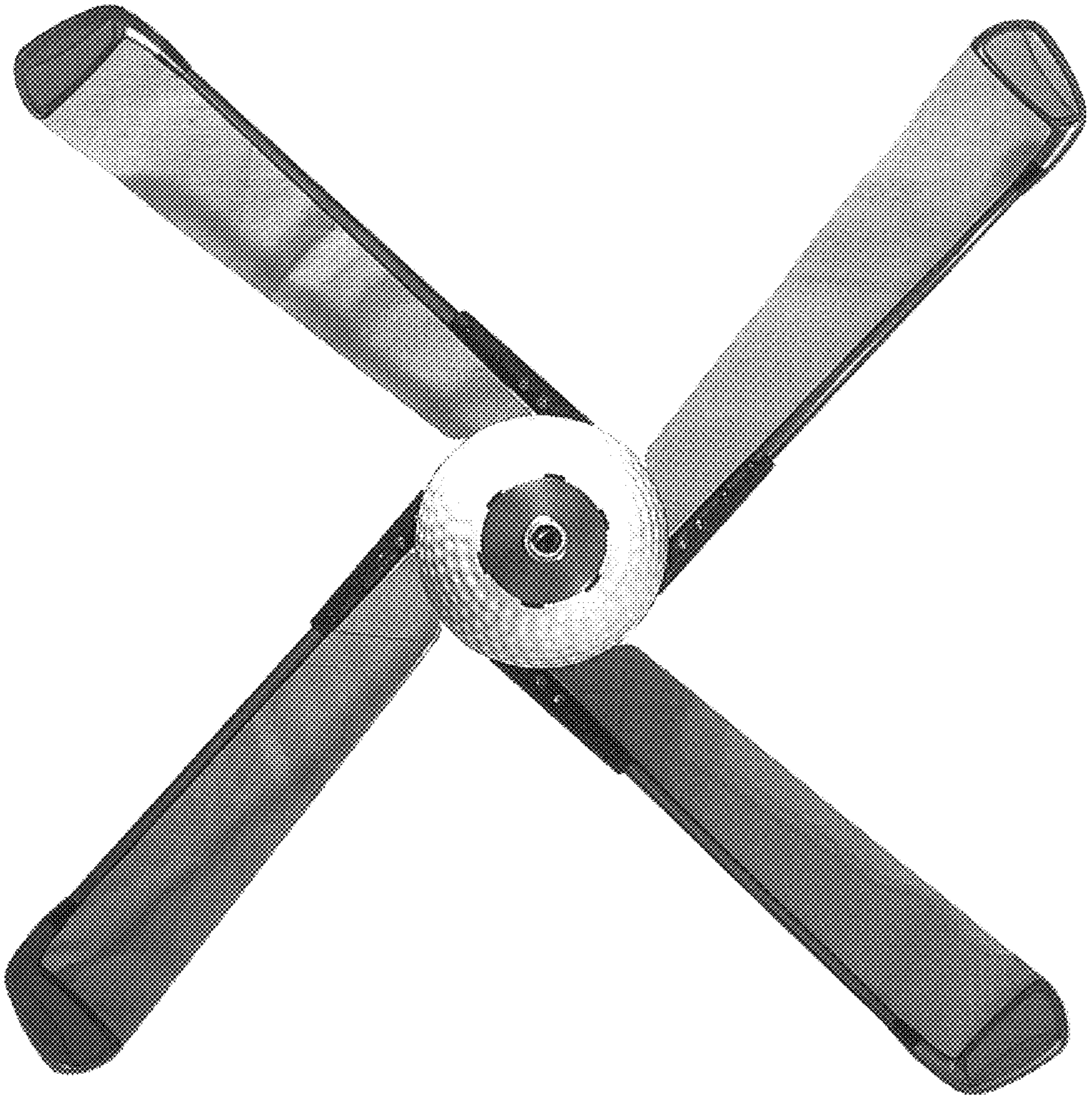


Fig.1

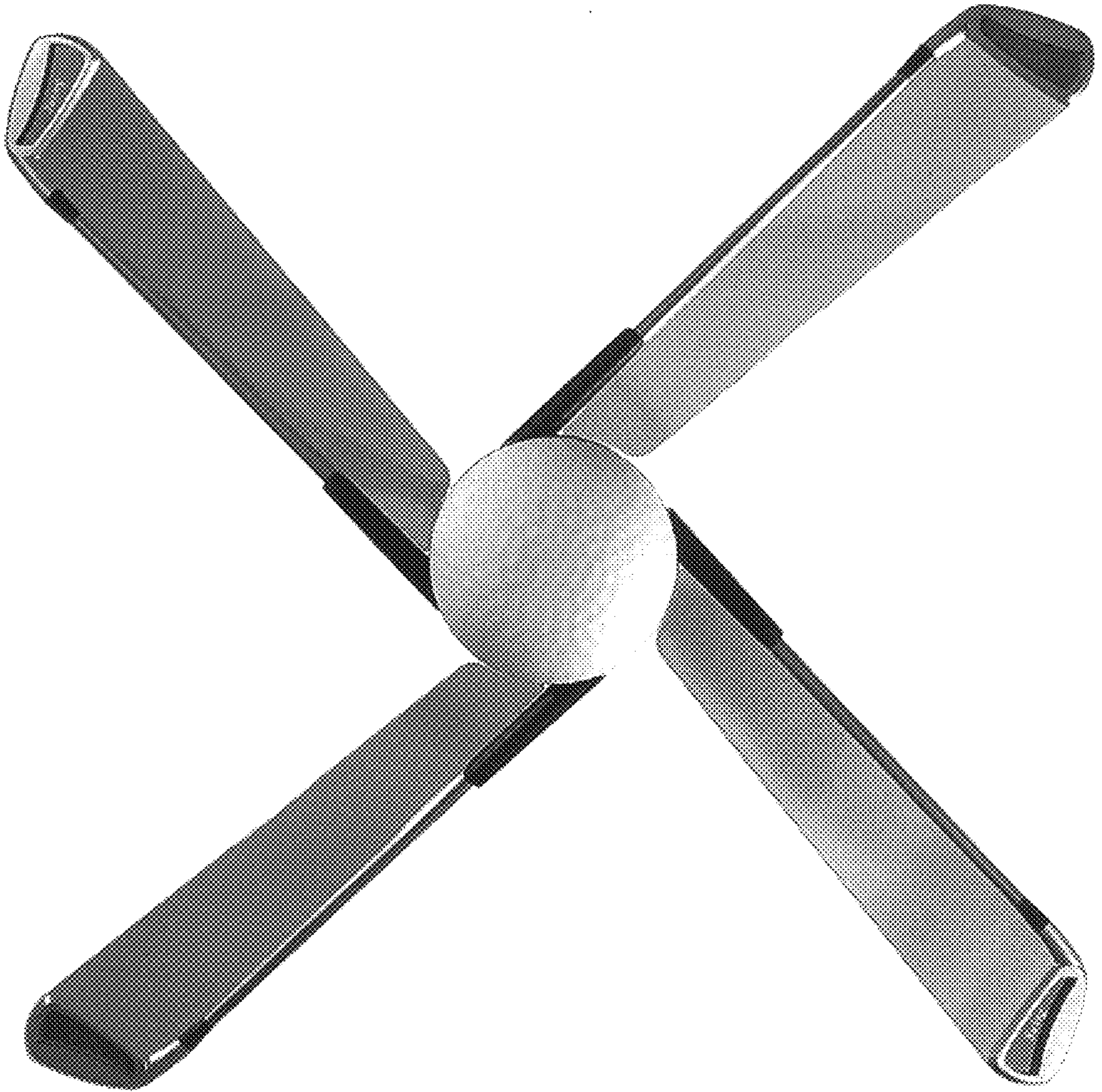


Fig.2

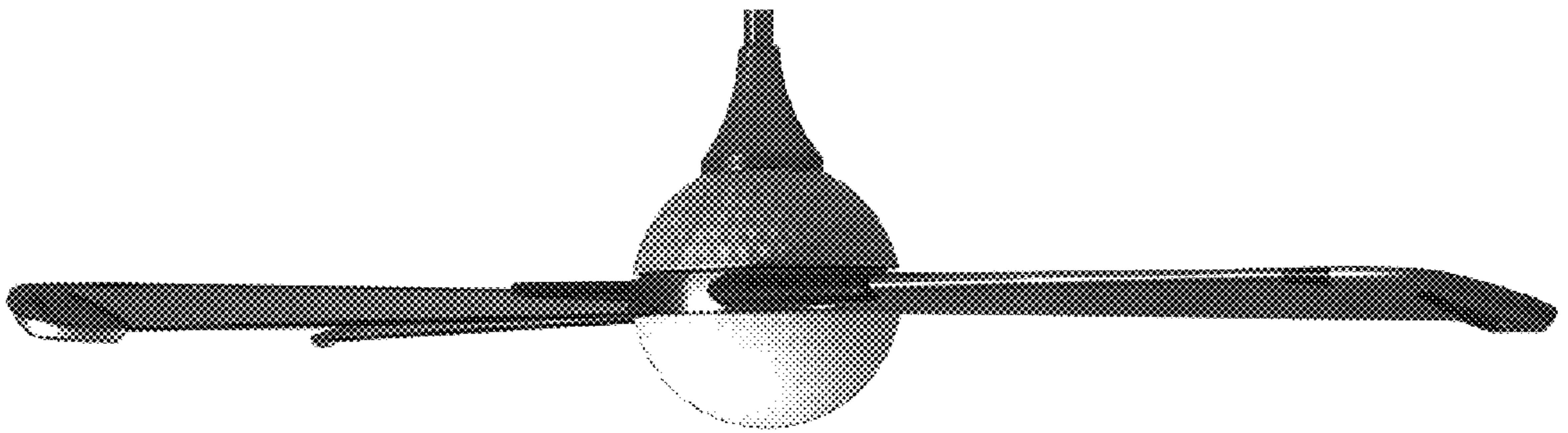


Fig.3

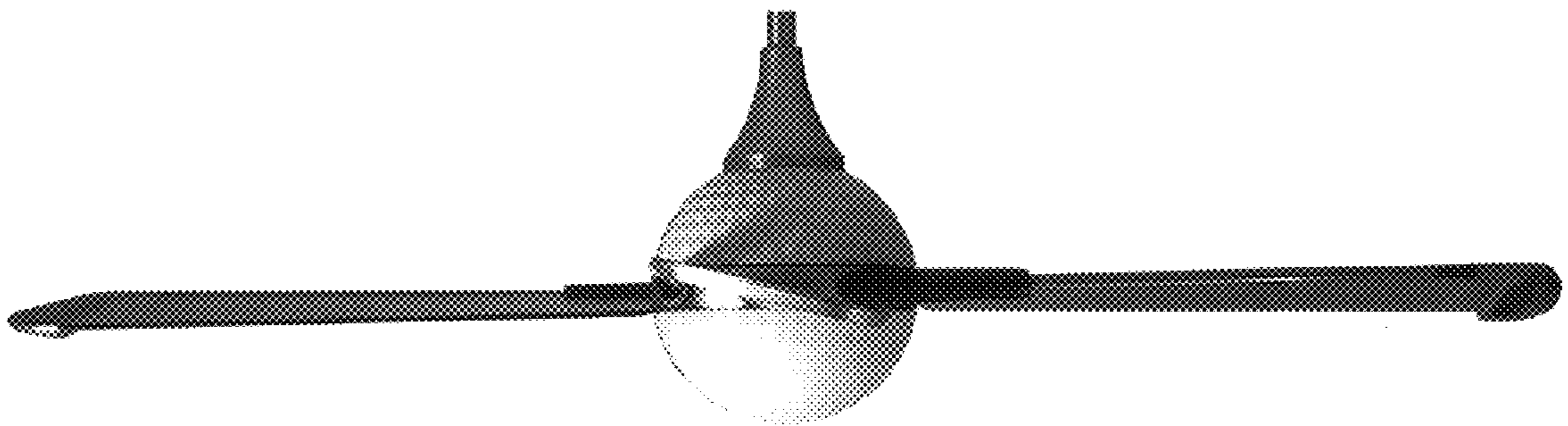


Fig.4

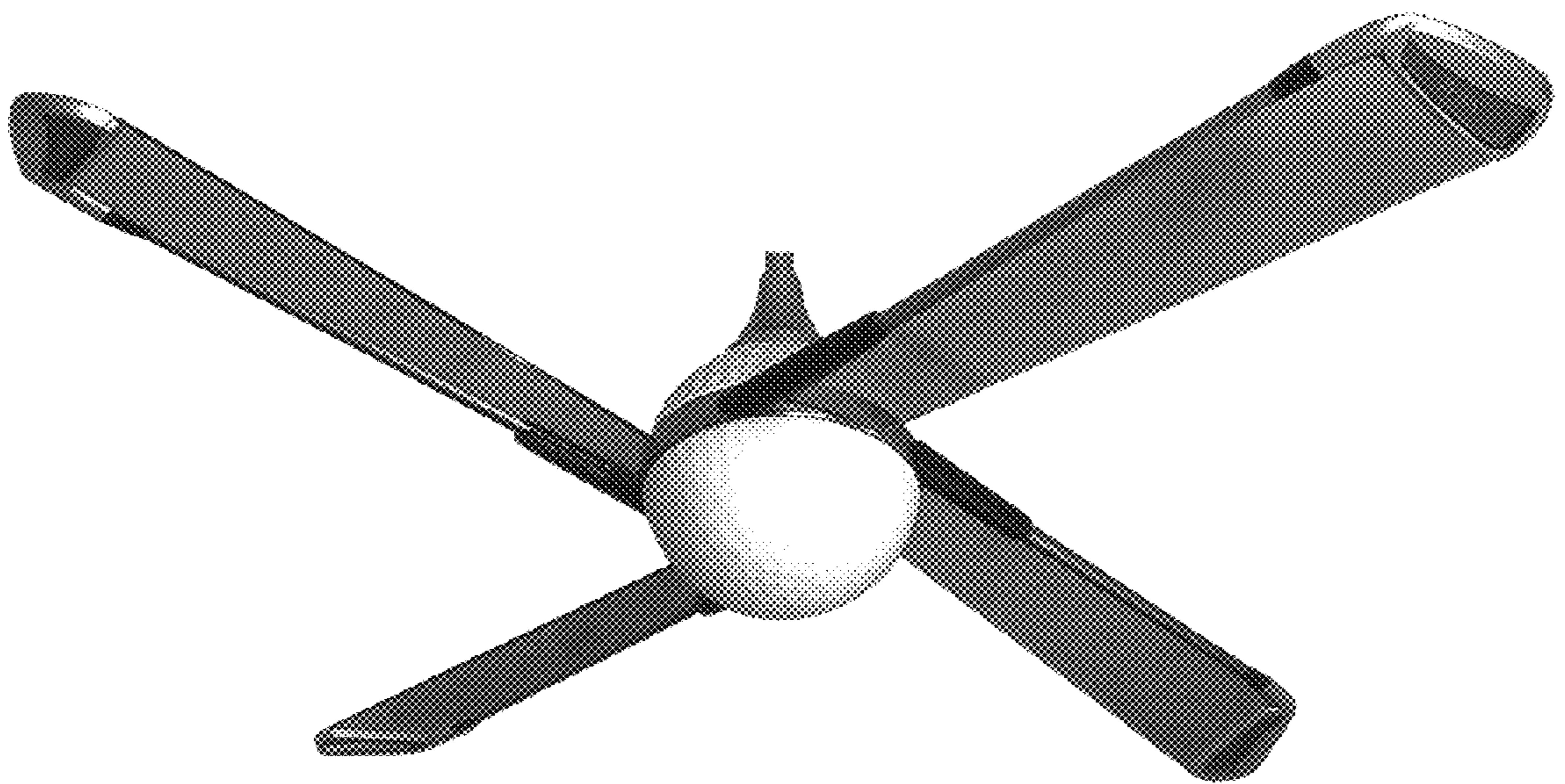


Fig.5

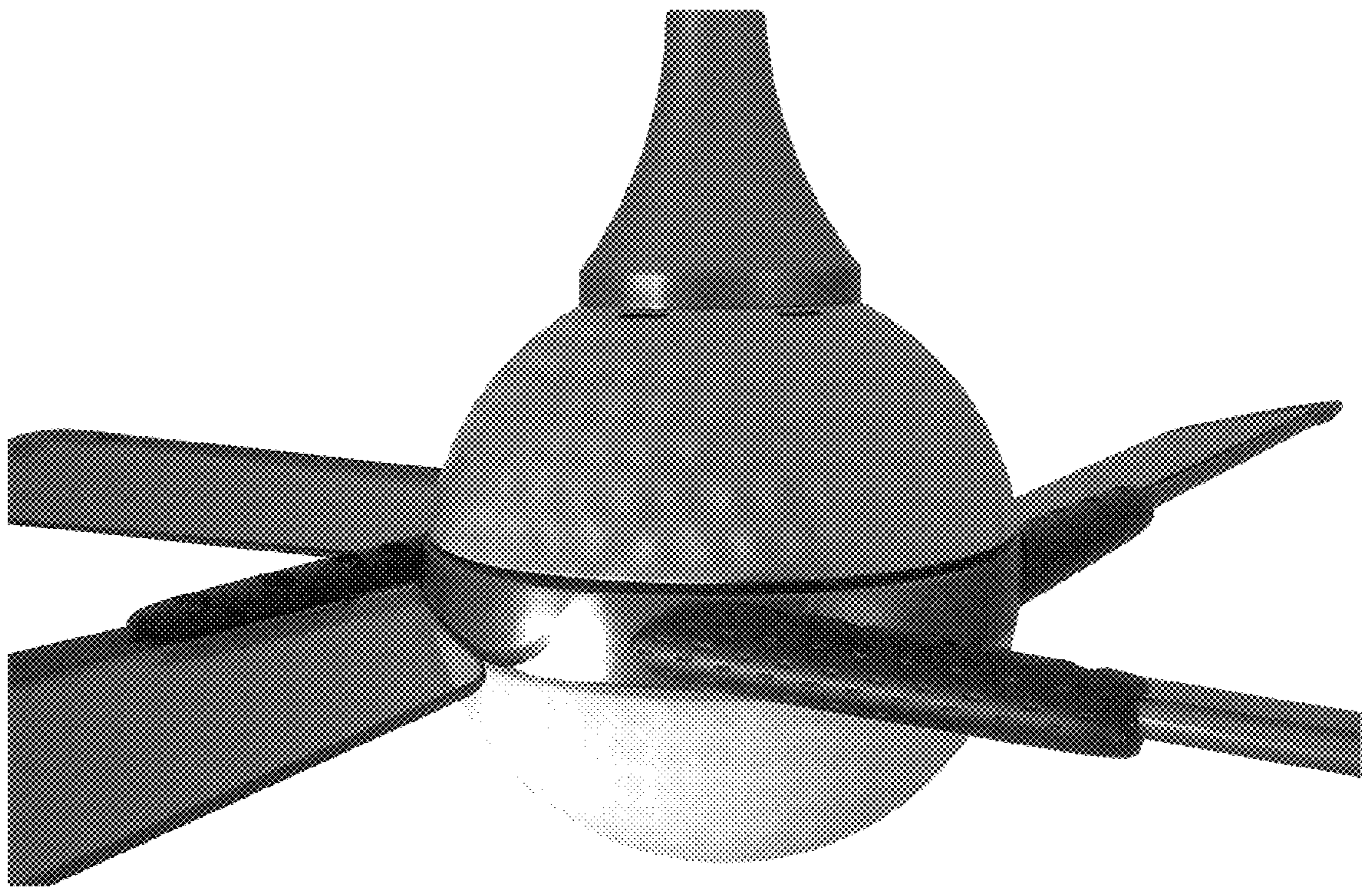


Fig.6

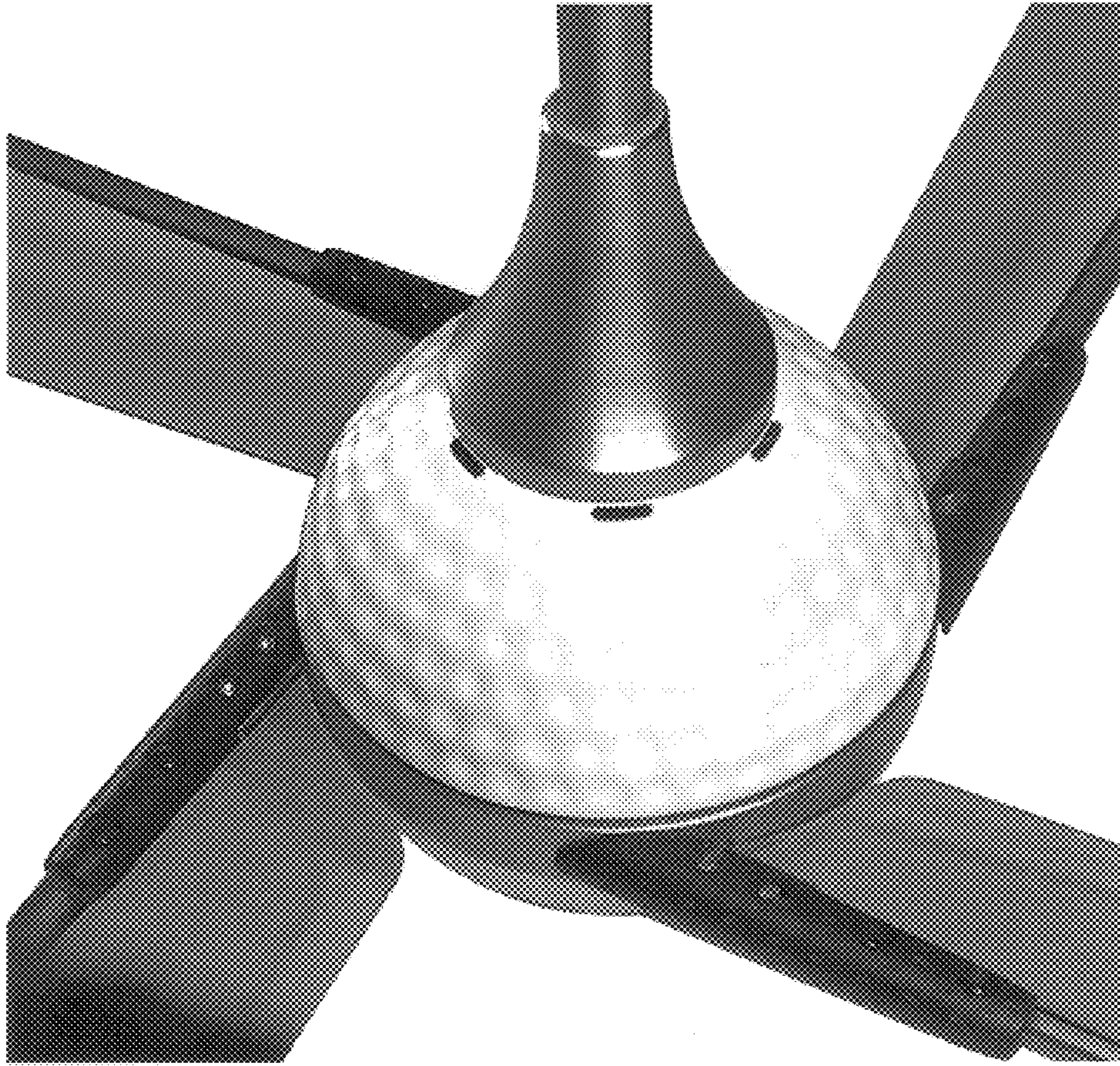


Fig. 7

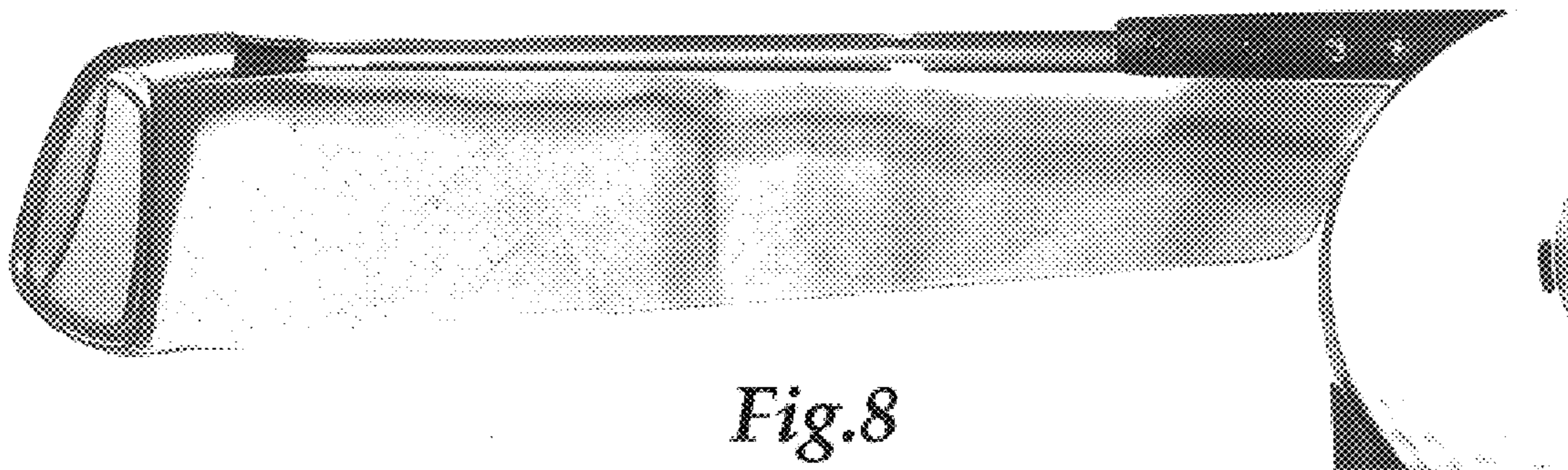


Fig. 8

UNITED STATES PATENT AND TRADEMARK OFFICE
CERTIFICATE OF CORRECTION

PATENT NO. : Des. 479,317 S
DATED : September 2, 2003
INVENTOR(S) : Mark Gajewski

Page 1 of 1

It is certified that error appears in the above-identified patent and that said Letters Patent is hereby corrected as shown below:

Title page,

Item [56], **References Cited**, U.S. PATENT DOCUMENTS, please add the following references:

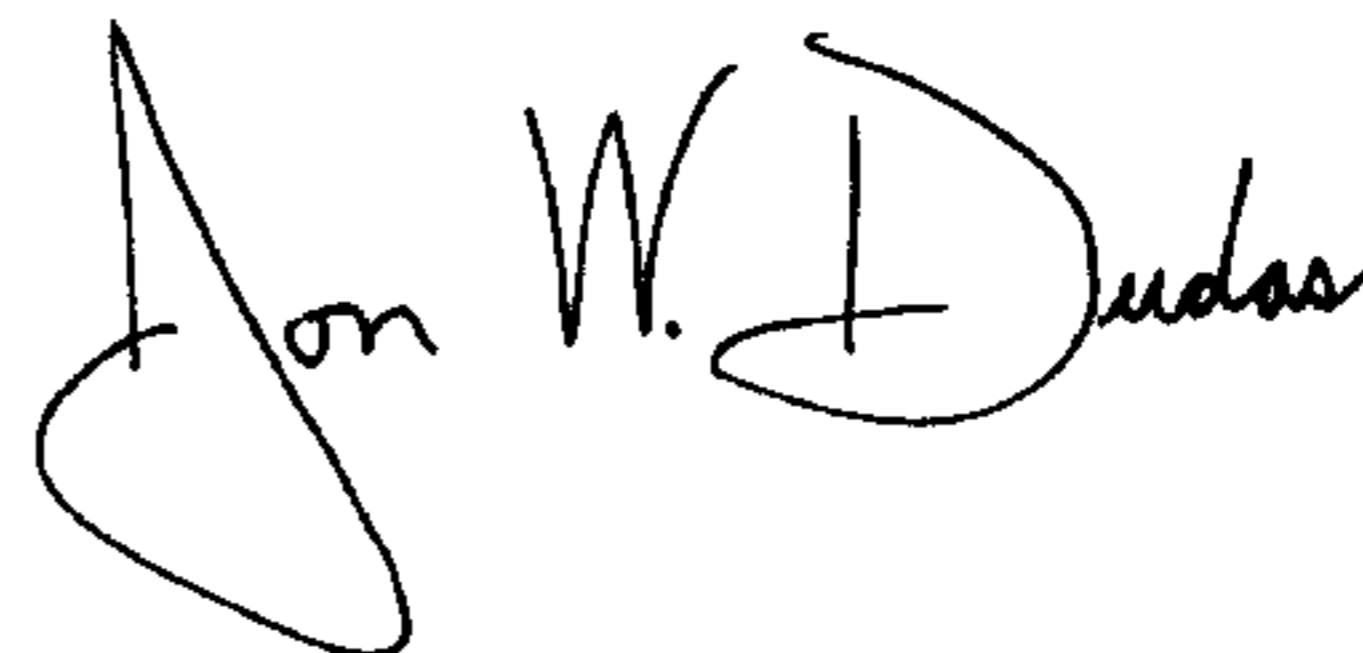
-- 29/161,304	5/28/2002	Mark Gajewski
29/161,357	5/28/2002	Mark Gajewski
29/161,353	5/28/2002	Mark Gajewski
29/161,307	5/28/2002	Mark Gajewski --

OTHER PUBLICATIONS, please add the following references:

-- Minka Lighting, Inc.; MinkaAire Two Thousand Two; April 22, 2002; pages 24, 25;
Minka Lighting, Inc.; U.S.A --

Signed and Sealed this

Twenty-seventh Day of January, 2004



JON W. DUDAS
Acting Director of the United States Patent and Trademark Office