



US00D479315S

(12) **United States Design Patent**  
**Basey**

(10) **Patent No.:** **US D479,315 S**

(45) **Date of Patent:** **\*\* Sep. 2, 2003**

(54) **WASHSTAND**

D445,489 S \* 7/2001 Ferrer Beltran ..... D23/286  
D447,361 S \* 9/2001 Adler ..... D6/449

(75) Inventor: **Phillip Victor Basey**, Chesham (GB)

\* cited by examiner

(73) Assignee: **Pentran International Limited**,  
London (GB)

*Primary Examiner*—Louis S. Zarfes

*Assistant Examiner*—Robert A. Delehanty

(\*\*) Term: **14 Years**

(74) *Attorney, Agent, or Firm*—Davis & Bujold, P.L.L.C.

(21) Appl. No.: **29/167,914**

(57) **CLAIM**

(22) Filed: **Sep. 23, 2002**

The ornamental design for a “washstand”, as shown and described.

(51) **LOC (7) Cl.** ..... **23-02**

**DESCRIPTION**

(52) **U.S. Cl.** ..... **D23/286**

(58) **Field of Search** ..... D23/270–274,  
D23/286, 293.1, 308; D6/432, 436, 445,  
447, 470, 449; 312/114, 198, 199, 204,  
228, 351.2

FIG. 1 is a top, front and left side perspective view of a washstand according to my design, including a frame, a towel rail and a suspended shelf.

FIG. 2 is a front elevational view thereof;

FIG. 3 is a top plan view thereof;

FIG. 4 is a side elevational view thereof; and,

FIG. 5 is a side elevational view thereof showing the side not shown in FIG. 4.

(56) **References Cited**

**U.S. PATENT DOCUMENTS**

954,121 A \* 4/1910 Matter ..... D23/286 X  
D441,982 S \* 5/2001 Hutton ..... D6/436

**1 Claim, 3 Drawing Sheets**

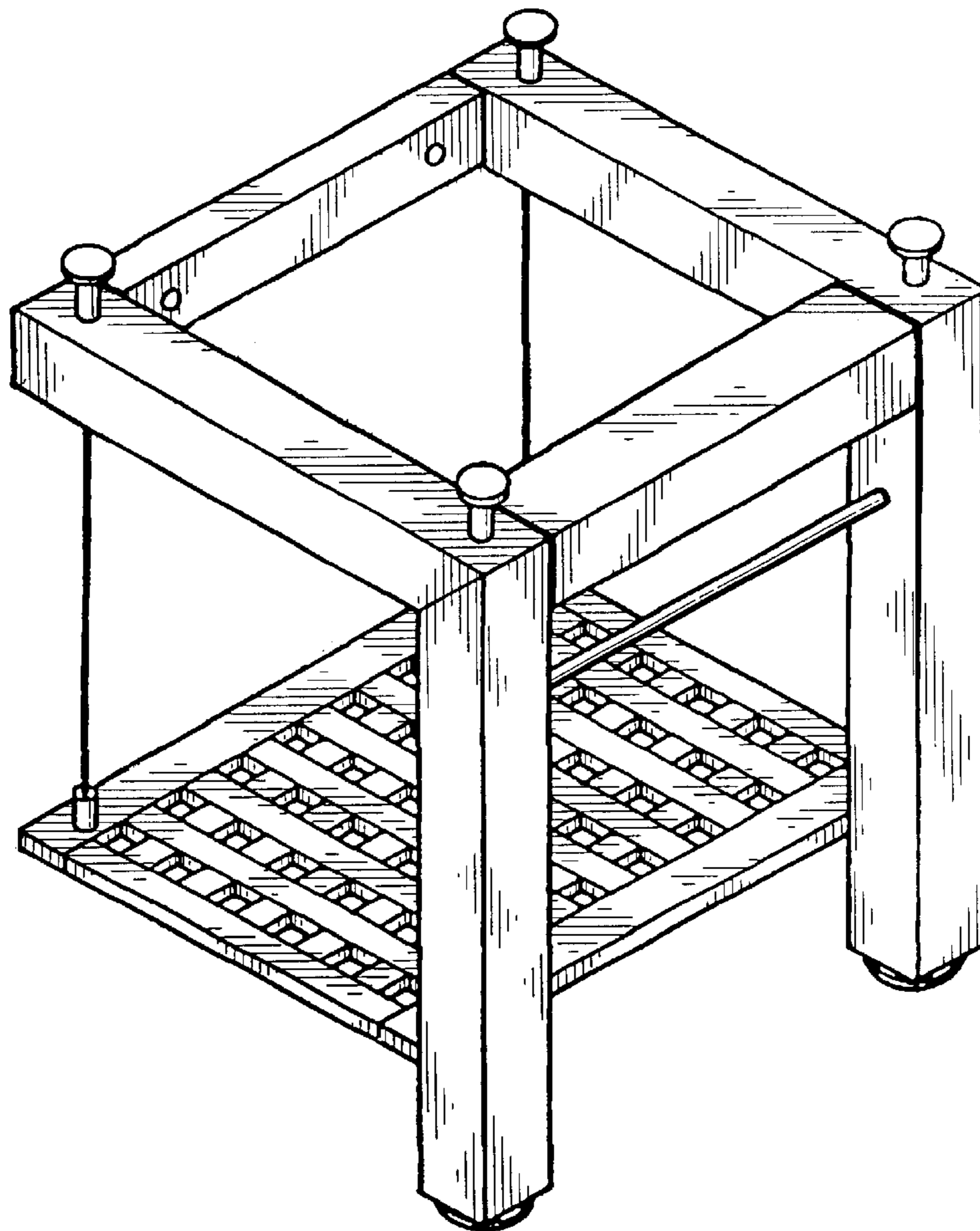


FIGURE 1

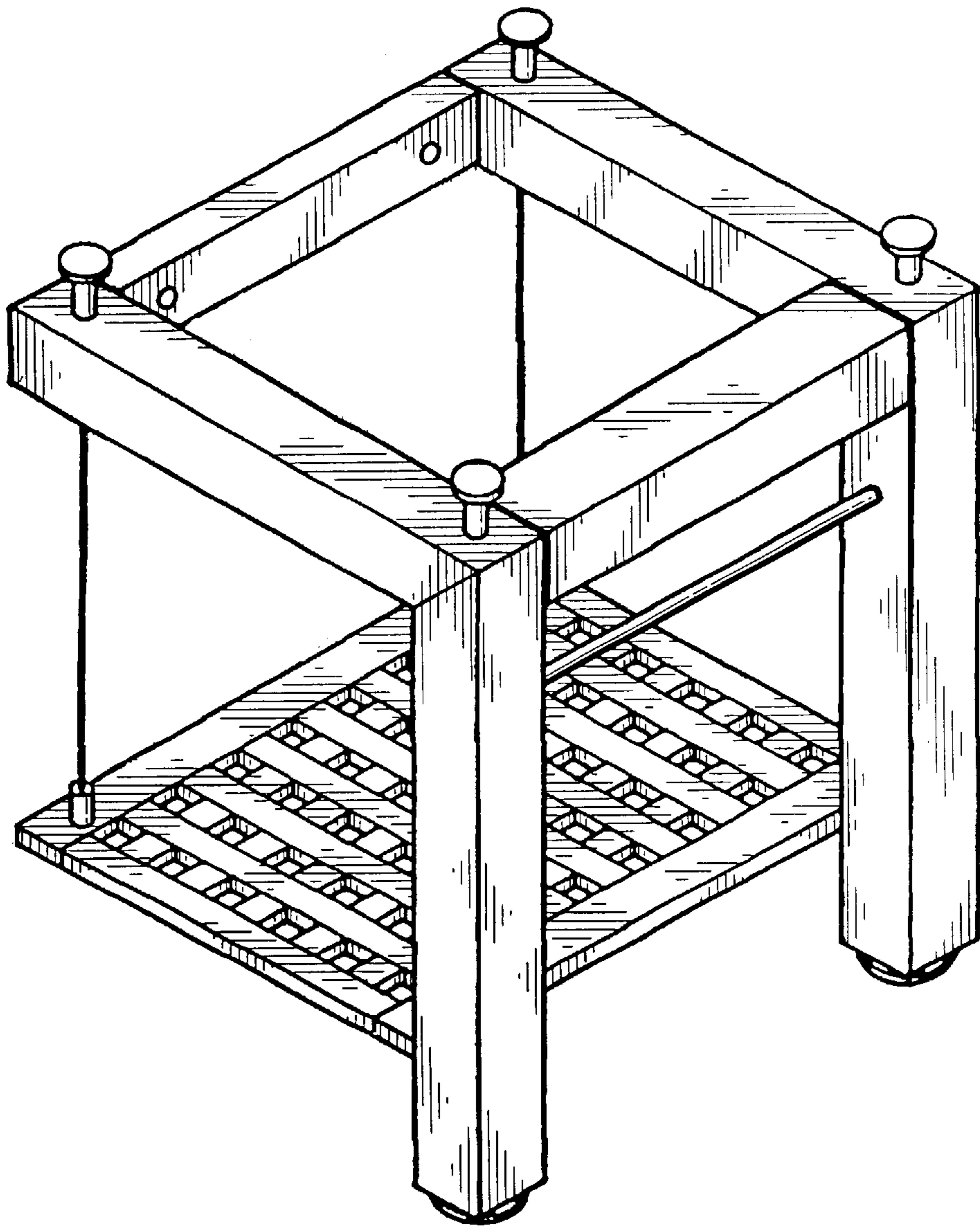


FIGURE 2

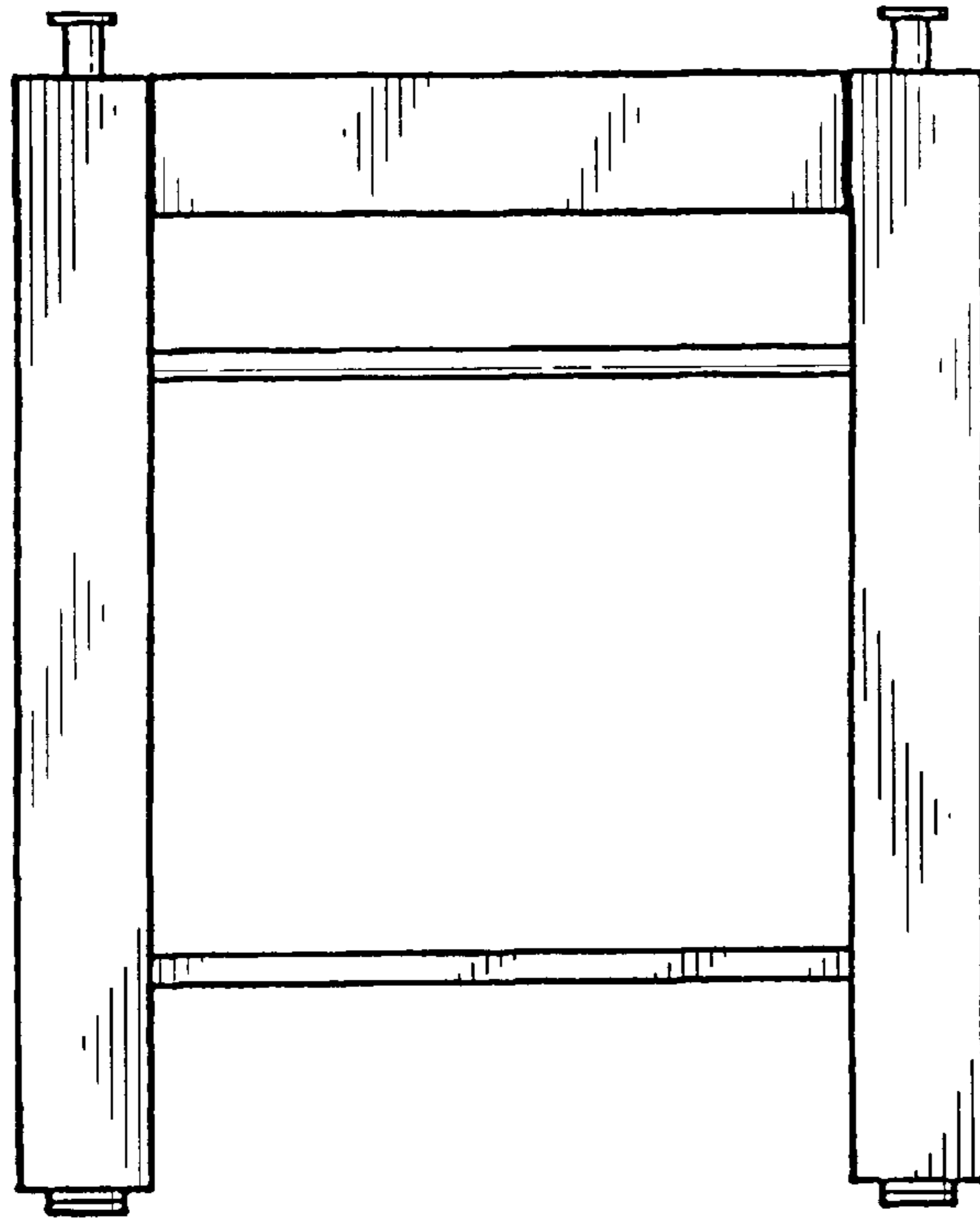


FIGURE 3

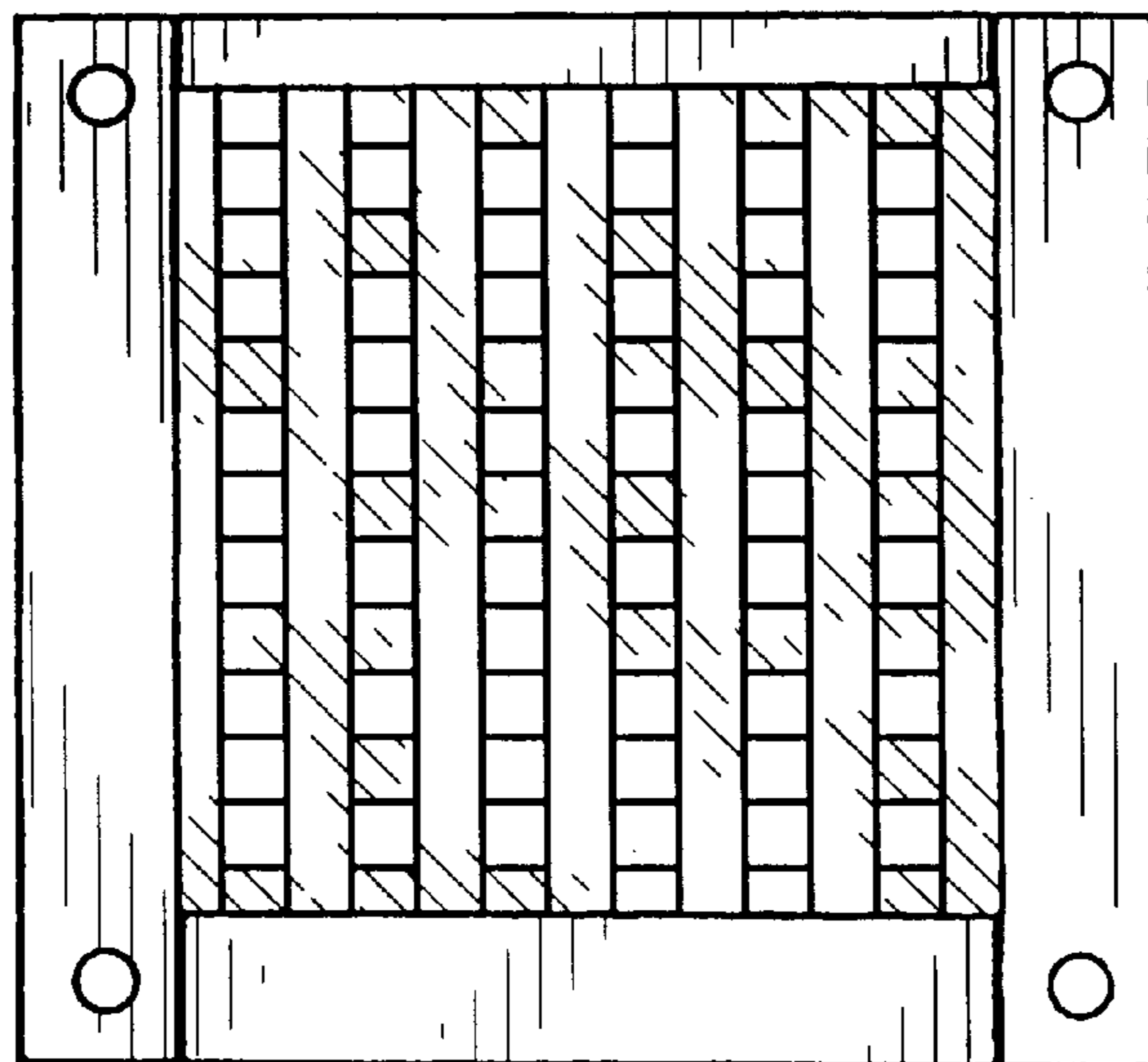


FIGURE 4

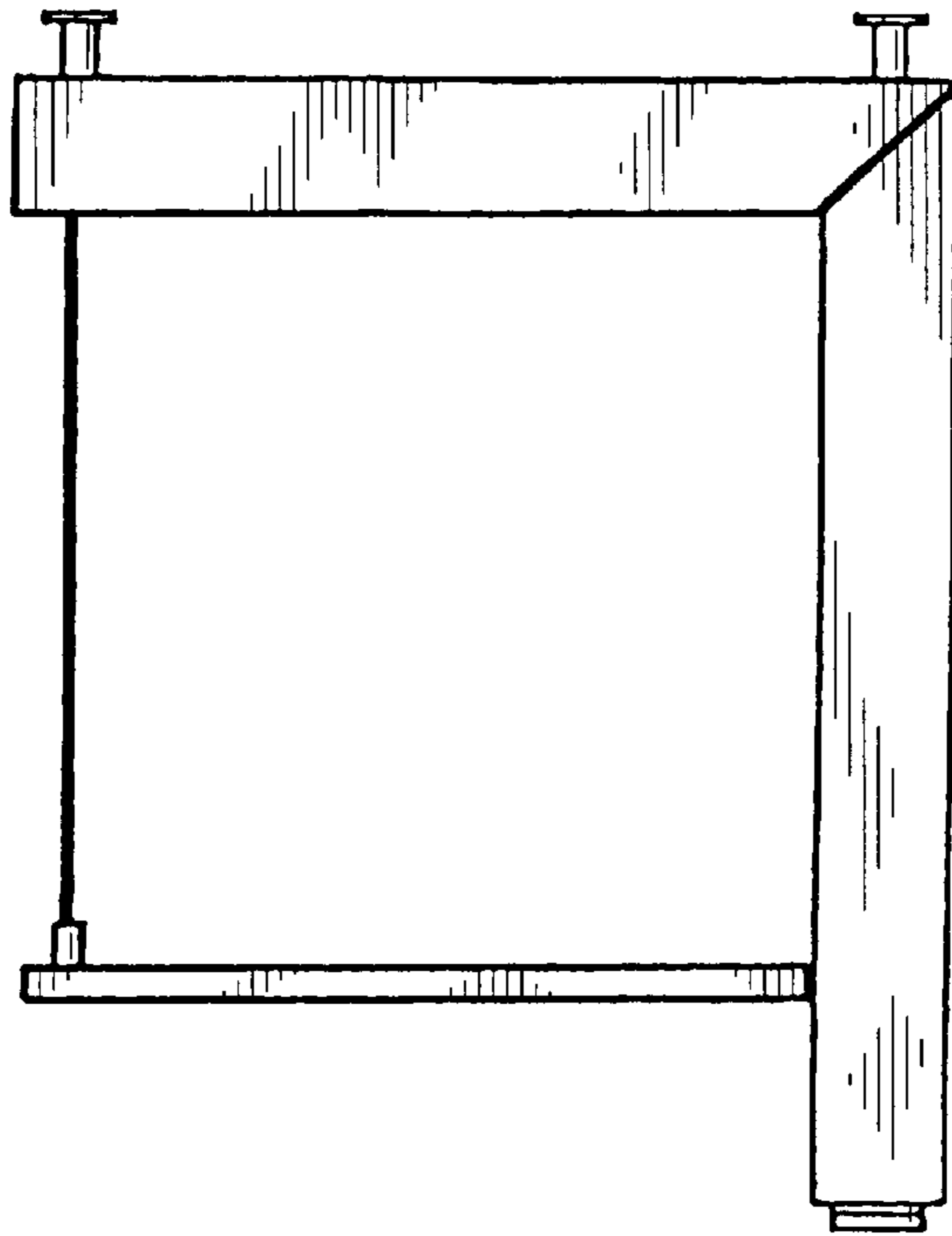


FIGURE 5

