



US00D479314S

(12) **United States Design Patent**
Trapp

(10) **Patent No.:** **US D479,314 S**

(45) **Date of Patent:** **** Sep. 2, 2003**

(54) **FIRE FIGHTING MONITOR**

(75) Inventor: **James M. Trapp**, Galien, MI (US)

(73) Assignee: **Elkhart Brass Manufacturing Company, Inc.**, Elkhart, IN (US)

(**) Term: **14 Years**

(21) Appl. No.: **29/166,279**

(22) Filed: **Aug. 23, 2002**

(51) **LOC (7) Cl.** **23-01**

(52) **U.S. Cl.** **D23/264**

(58) **Field of Search** D23/262-265;
285/181, 147.1

(56) **References Cited**

U.S. PATENT DOCUMENTS

D26,441 S	*	12/1896	McArthur	D23/263
1,923,588 A		8/1933	Robinson	299/73
2,067,044 A		1/1937	Corley	299/73
D157,807 S	*	3/1950	Warren	D23/260
2,501,639 A		3/1950	Warren	299/73
D166,651 S	*	4/1952	Warren	D23/264
2,998,199 A		8/1961	Miscovich	239/587
4,392,618 A		7/1983	Evans et al.	239/461
4,674,686 A		6/1987	Trapp	239/279

FOREIGN PATENT DOCUMENTS

DE	873045	4/1953
GB	1139439	1/1969

* cited by examiner

Primary Examiner—Robin V. Taylor

(74) *Attorney, Agent, or Firm*—Van Dyke, Gardner, Linn & Burkhardt, LLP

(57) **CLAIM**

The ornamental design for the fire fighting monitor, as shown and described.

DESCRIPTION

FIG. 1 is a perspective view of the fire fighting monitor of the present invention;

FIG. 2 is a second perspective view of the fire fighting monitor of FIG. 1;

FIG. 3 is a top plan view of the fire fighting monitor of FIG. 1;

FIG. 4 is a front elevation view of the fire fighting monitor of FIG. 1;

FIG. 5 is a right side elevation view of the fire fighting monitor of FIG. 1;

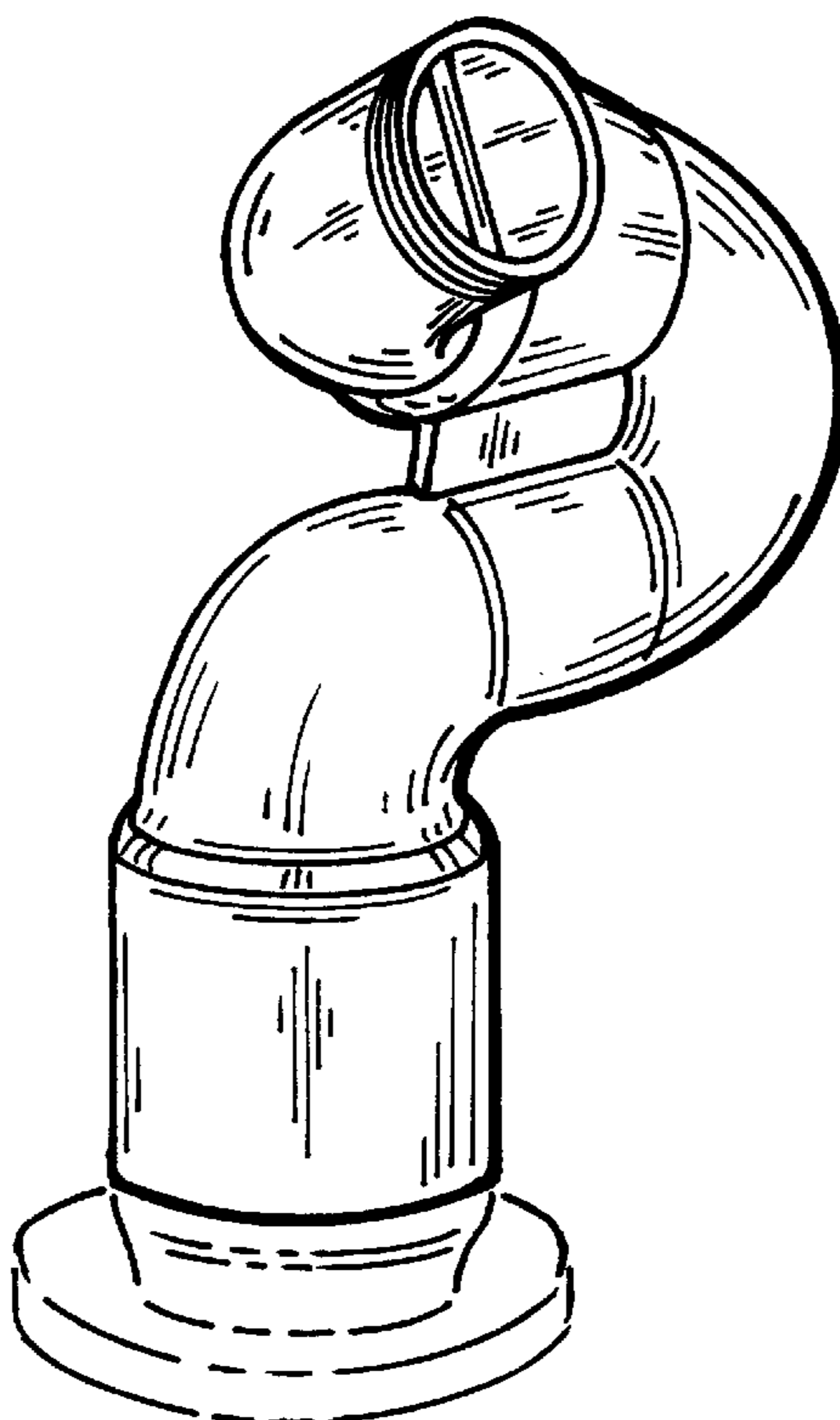
FIG. 6 is a rear elevation view of the fire fighting monitor of FIG. 1;

FIG. 7 is a left side elevation view of the fire fighting monitor of FIG. 1; and,

FIG. 8 is a bottom plan view of the fire fighting monitor of FIG. 1.

The broken line showing of is for illustrative purposes only and forms no part of the claimed design.

1 Claim, 3 Drawing Sheets



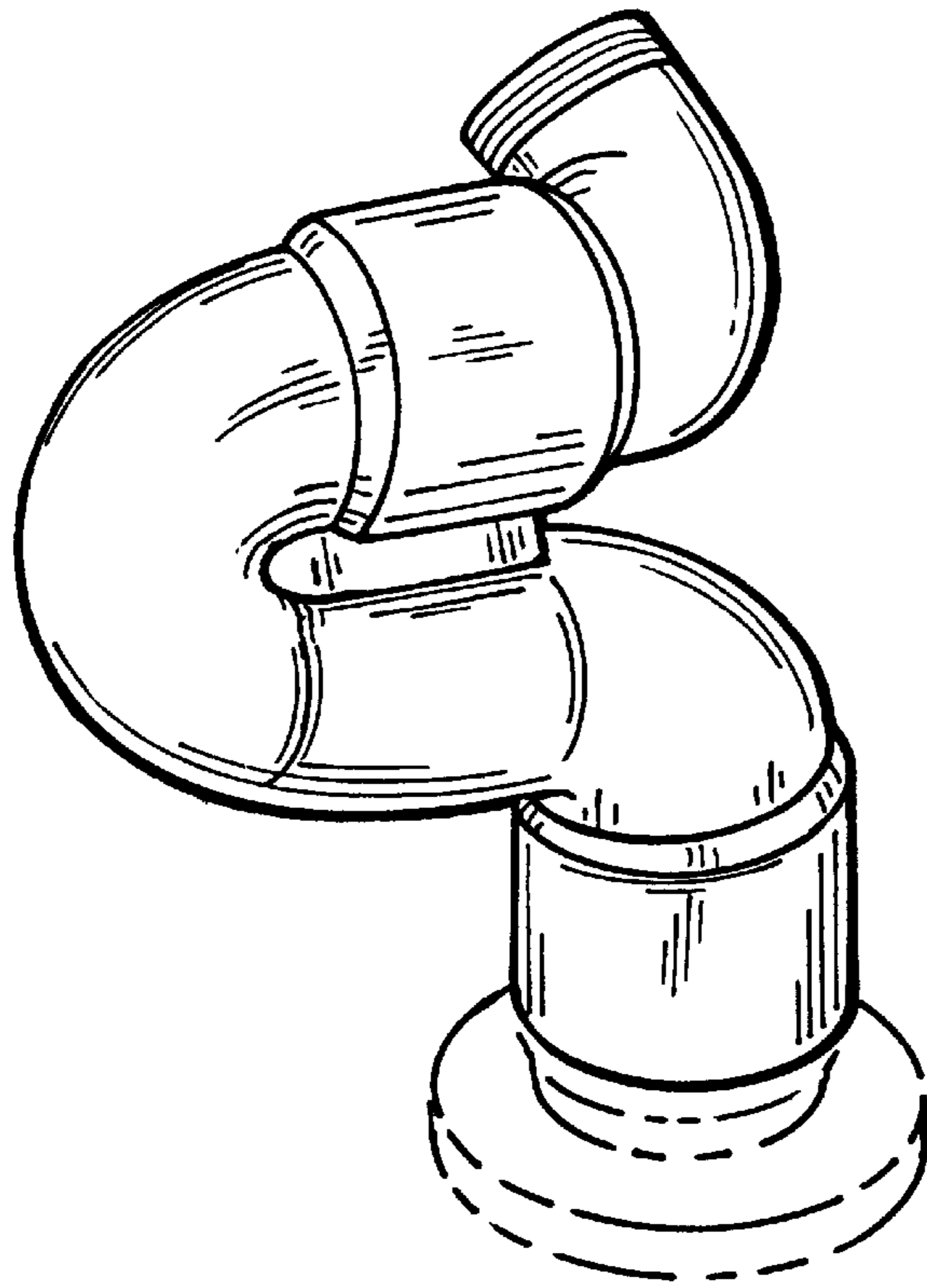


FIG. 1

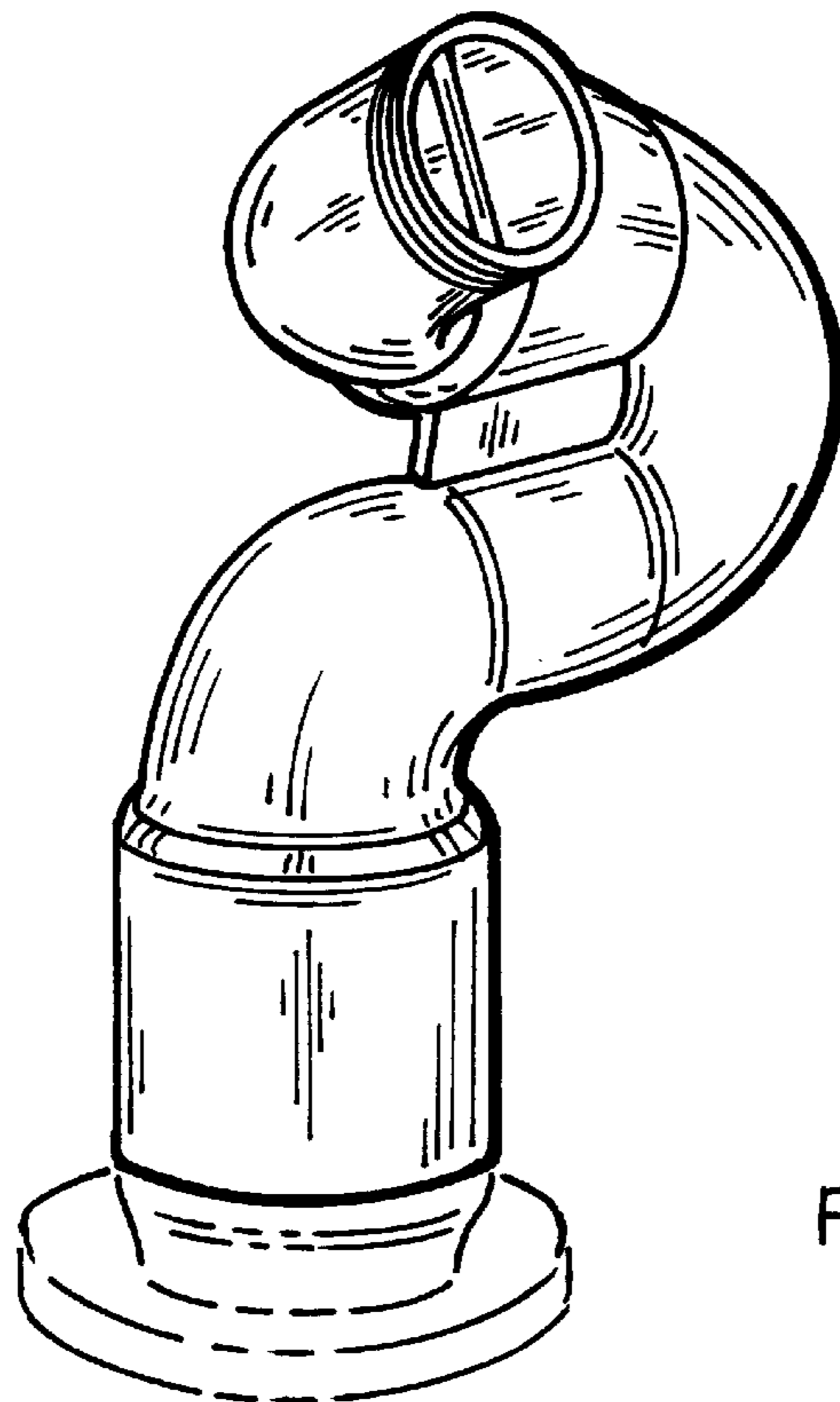


FIG. 2

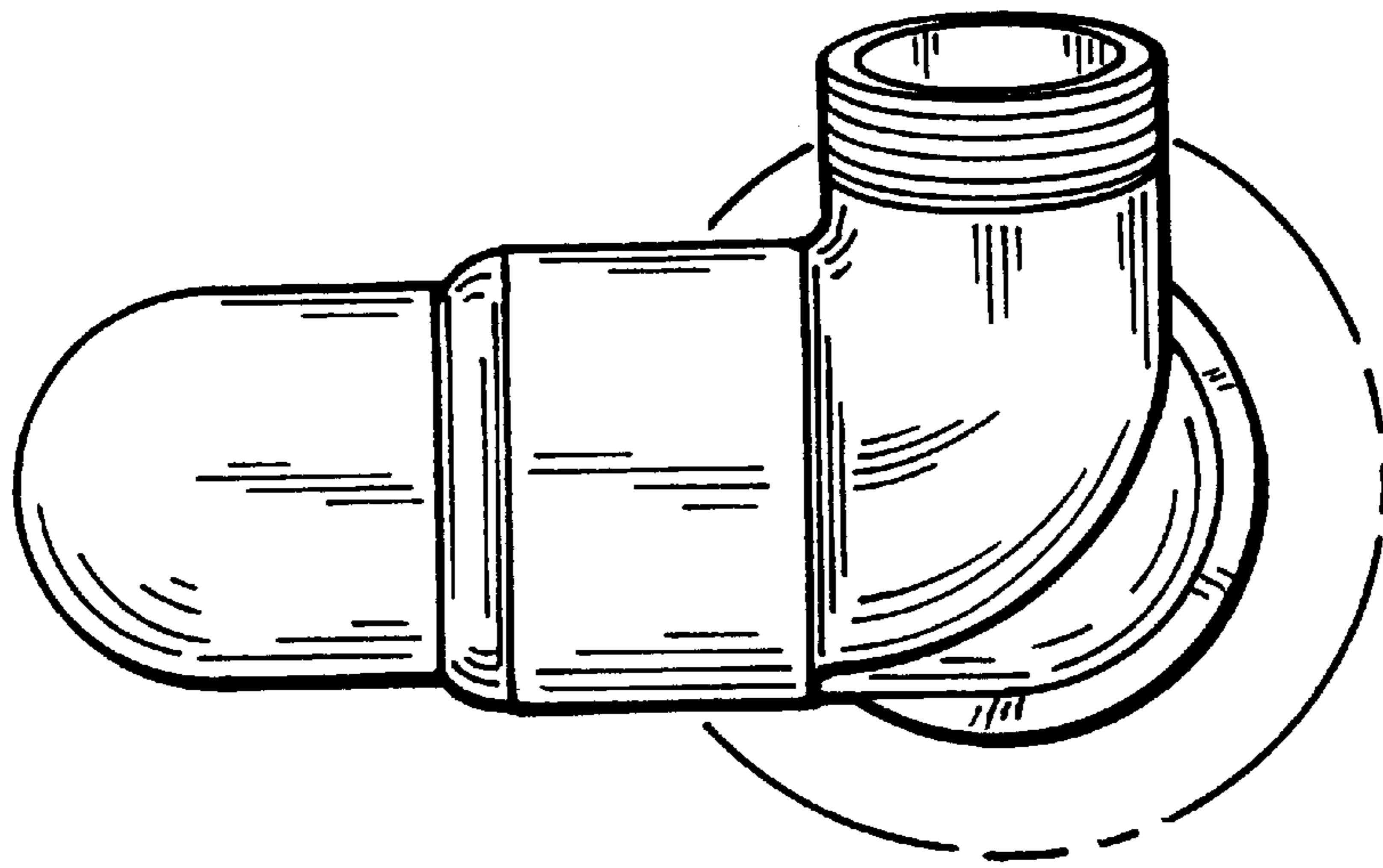


FIG. 3

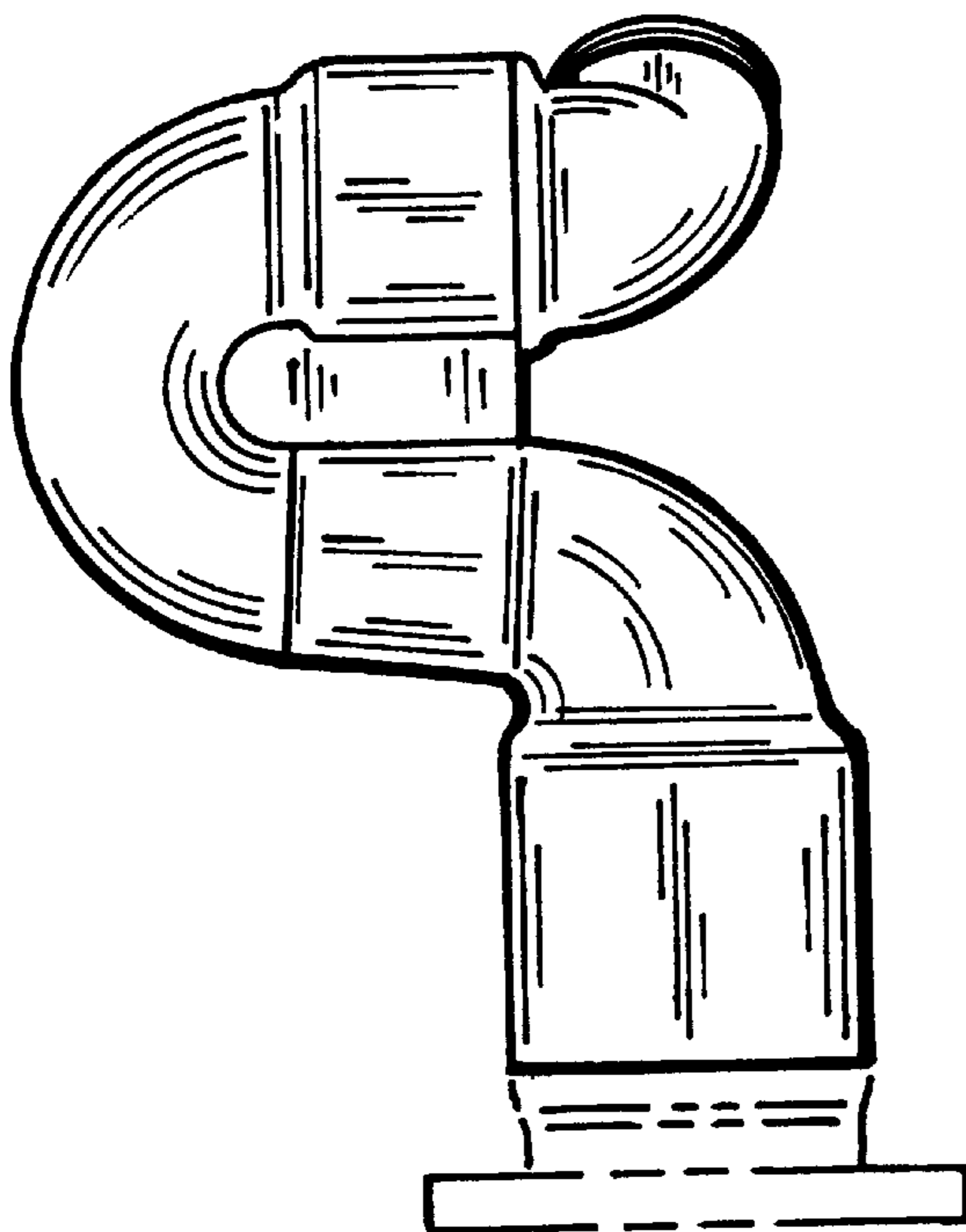


FIG. 4

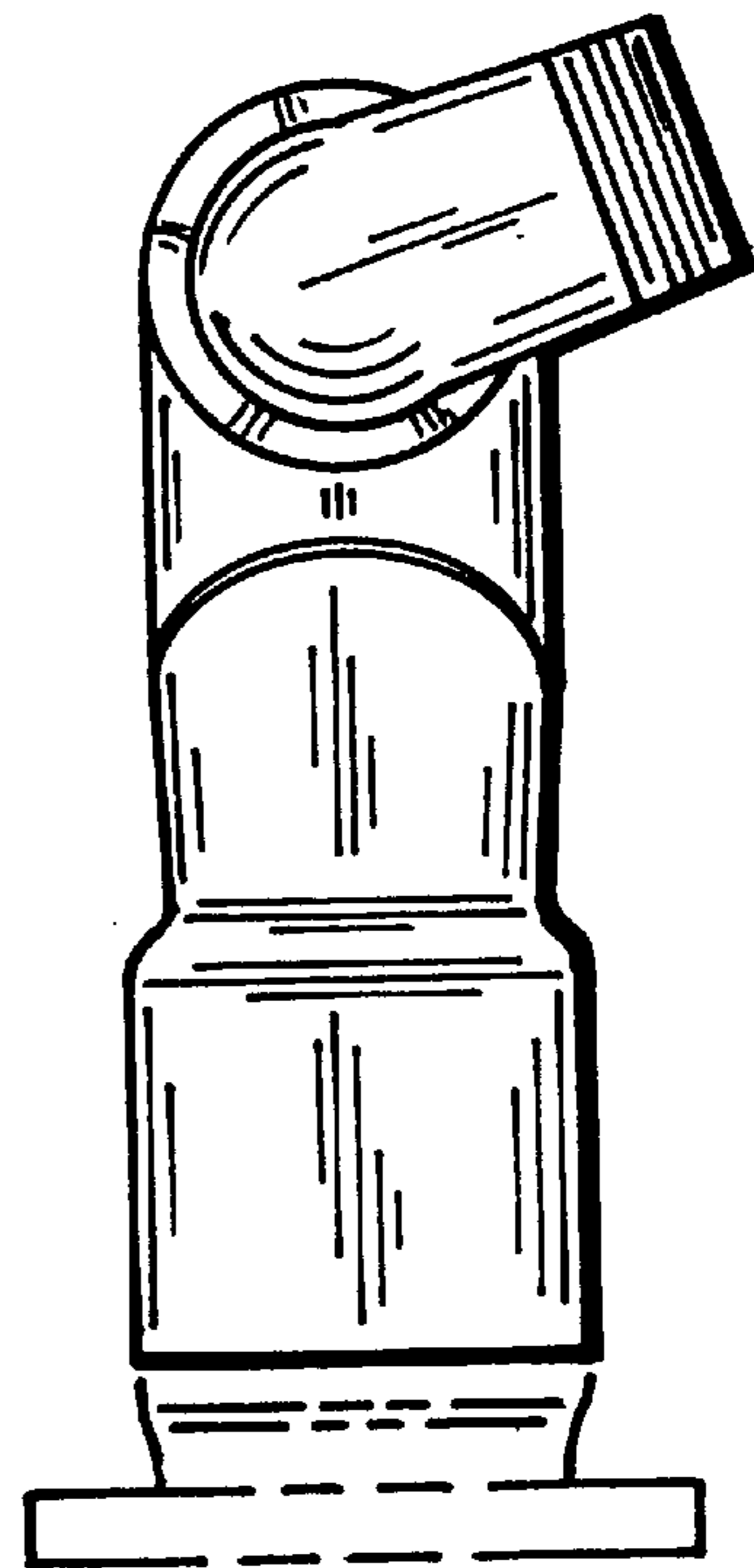


FIG. 5

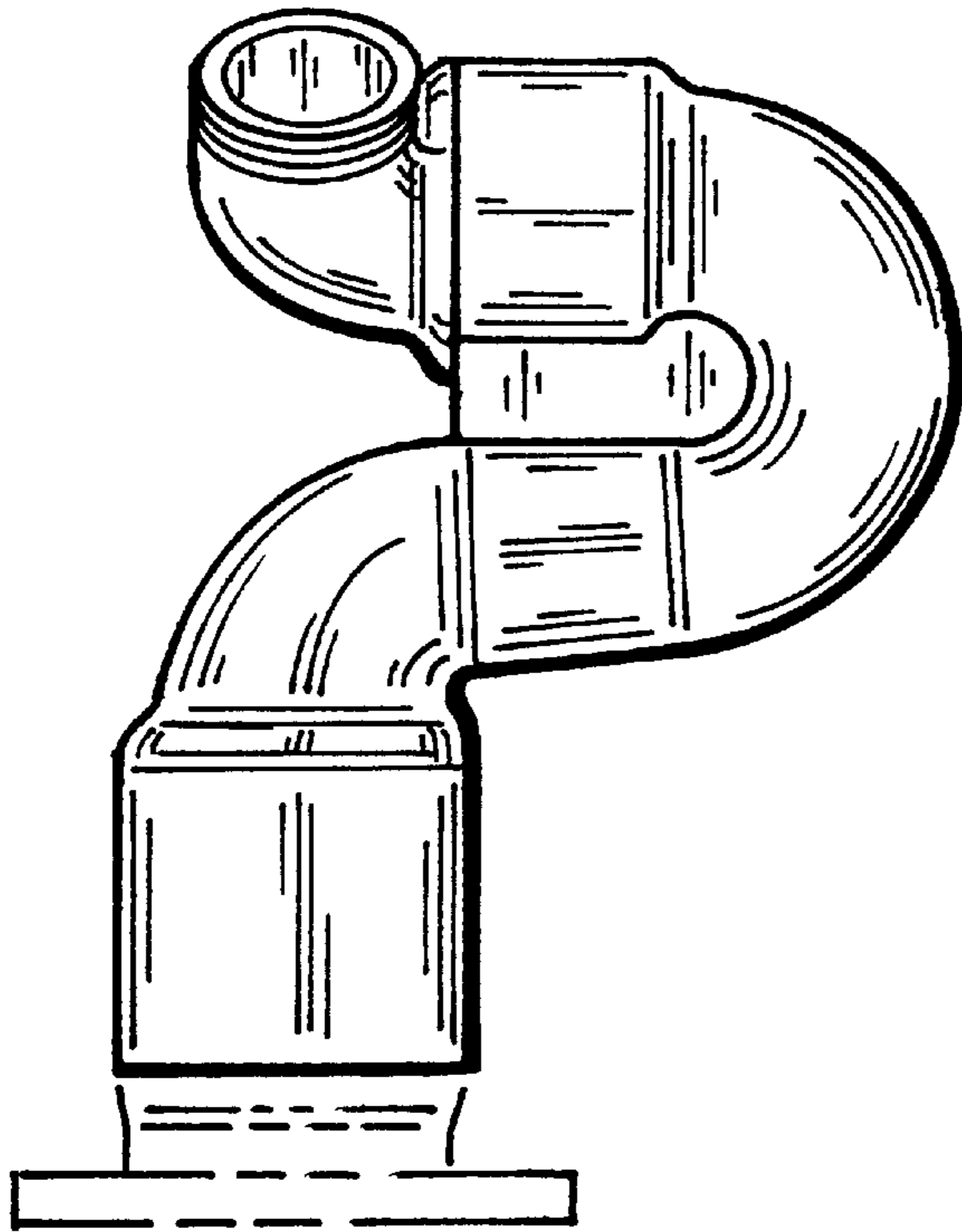


FIG. 6

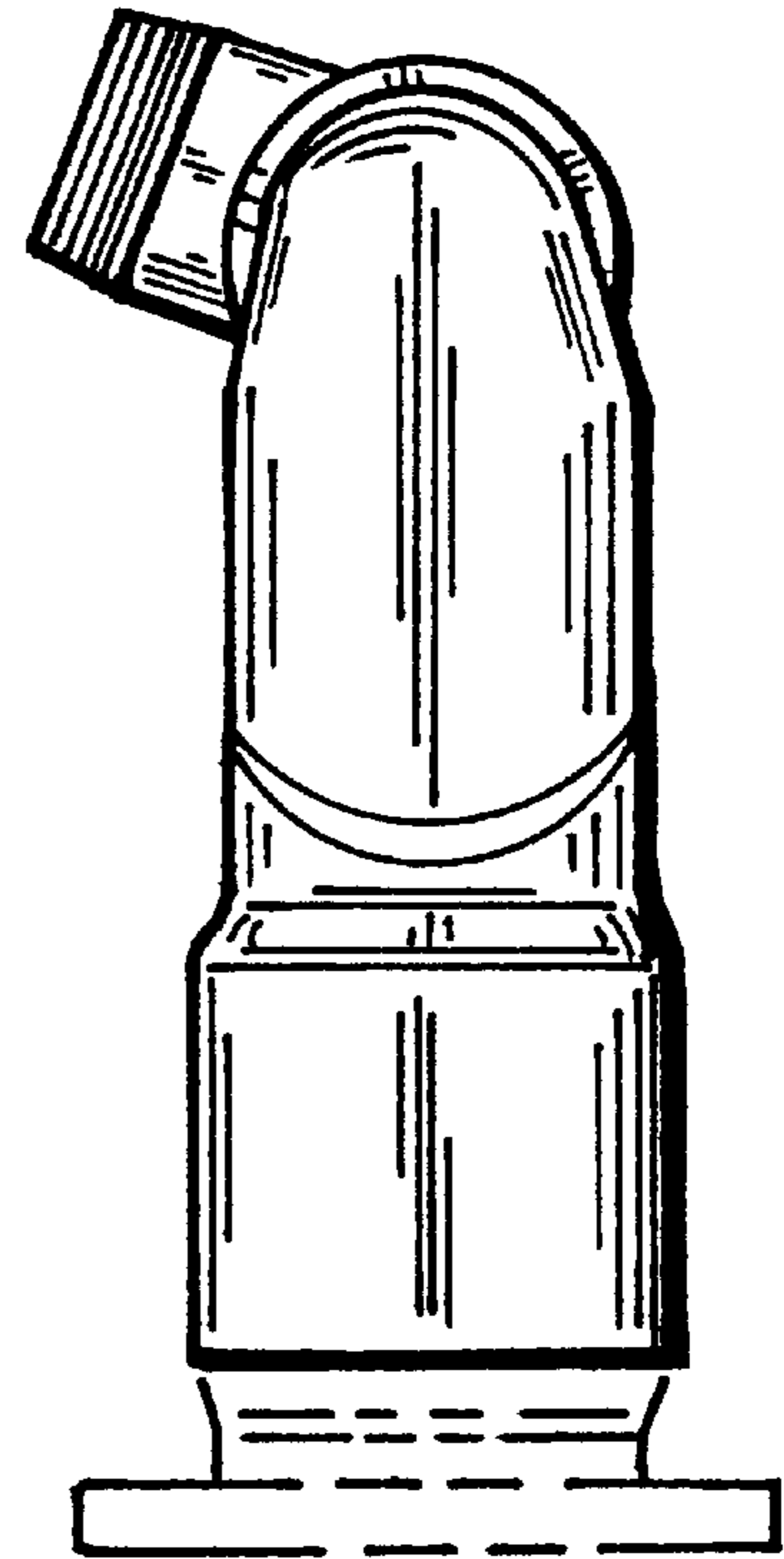


FIG. 7

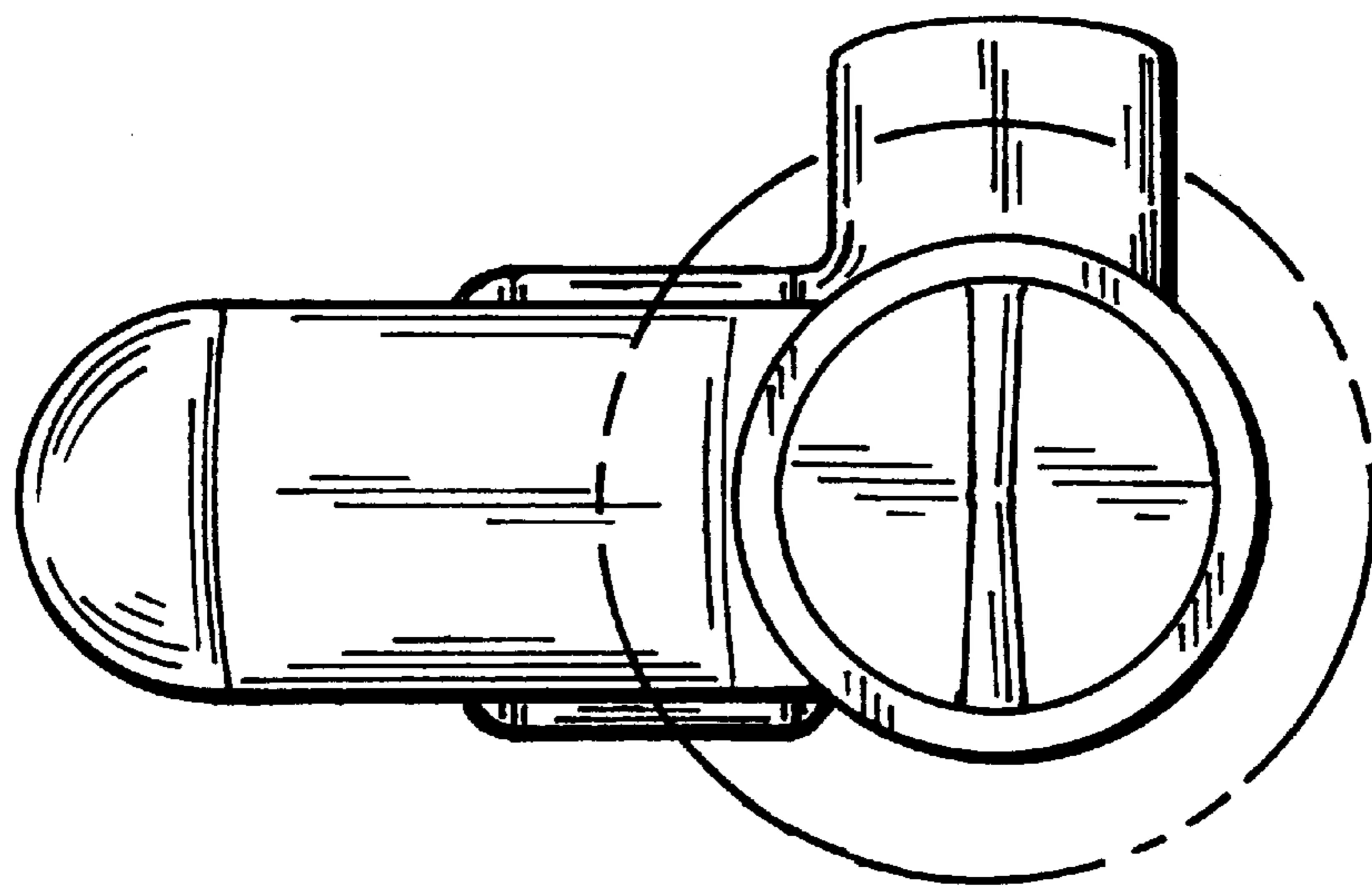


FIG. 8