



US00D479311S

(12) **United States Design Patent**
Veltz

(10) **Patent No.:** **US D479,311 S**

(45) **Date of Patent:** **** Sep. 2, 2003**

(54) **HANDLE**

(75) **Inventor:** **Jason D. Veltz**, Dana Point, CA (US)

(73) **Assignee:** **Newfrey LLC**, Newark, DE (US)

(**) **Term:** **14 Years**

(21) **Appl. No.:** **29/169,386**

(22) **Filed:** **Oct. 18, 2002**

(51) **LOC (7) Cl.** **23-01**

(52) **U.S. Cl.** **D23/252**

(58) **Field of Search** D23/238-243,
D23/250-257; 4/675-678; 137/562, 801;
D8/300-310, 350, 354; 16/110 R, 121

(56) **References Cited**

U.S. PATENT DOCUMENTS

2,790,632 A	4/1957	Mellette	
D276,259 S	11/1984	Miller	
D287,747 S	1/1987	Miller et al.	
D327,532 S	* 6/1992	Ko	D23/252
D327,944 S	7/1992	Stairs, Jr. et al.	
D365,384 S	* 12/1995	Robbins	D23/252
D390,921 S	2/1998	Steffes et al.	
D404,470 S	1/1999	Pitsch et al.	
D418,578 S	1/2000	Warshawsky et al.	
D419,220 S	1/2000	Warshawsky et al.	
D429,798 S	* 8/2000	Milrud et al.	D23/252

D430,650 S	9/2000	Graves	
D433,103 S	* 10/2000	Spangler	D23/250
D438,602 S	3/2001	Milrud et al.	
D460,808 S	* 7/2002	Otero et al.	D23/252
D461,541 S	8/2002	Singtoroj	

* cited by examiner

Primary Examiner—Louis S. Zarfaz

Assistant Examiner—Gregory Andoll

(74) *Attorney, Agent, or Firm*—Richard J. Veltman; John D. Del Ponti

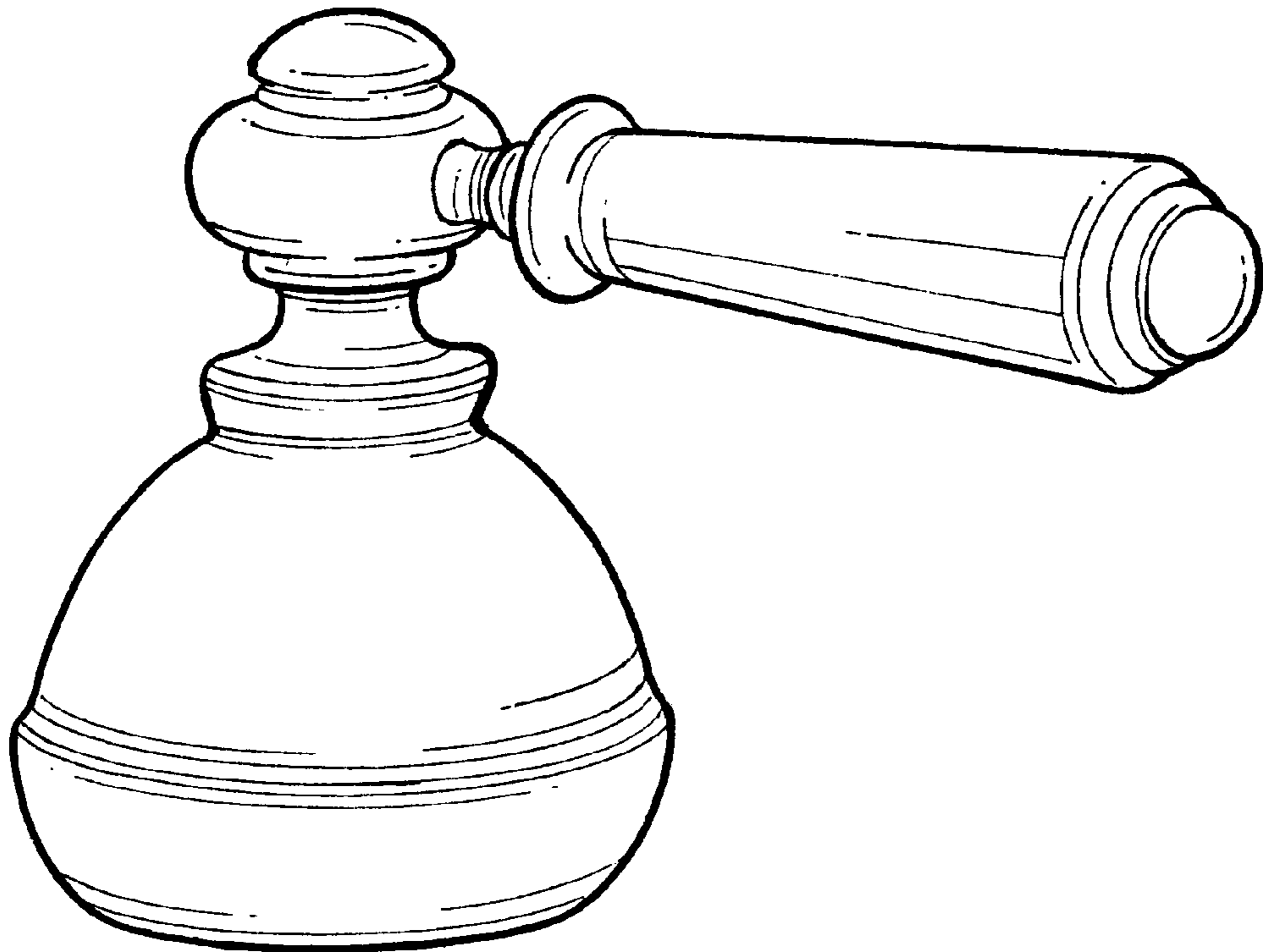
(57) **CLAIM**

The ornamental design for a handle, as shown and described.

DESCRIPTION

FIG. 1 is a perspective view of the new design for a handle; FIG. 2 is a front elevational view of the new design for a handle, the rear elevational view being a mirror image; FIG. 3 is a right side elevational view of the new design for a handle; FIG. 4 is a left side elevational view of the new design for a handle. FIG. 5 is a top plan view of the new design for a handle; and, FIG. 6 is a bottom plan view of the new design for a handle. The broken lines in the Figures are for illustrative purposes only and form no part of the claimed design.

1 Claim, 3 Drawing Sheets



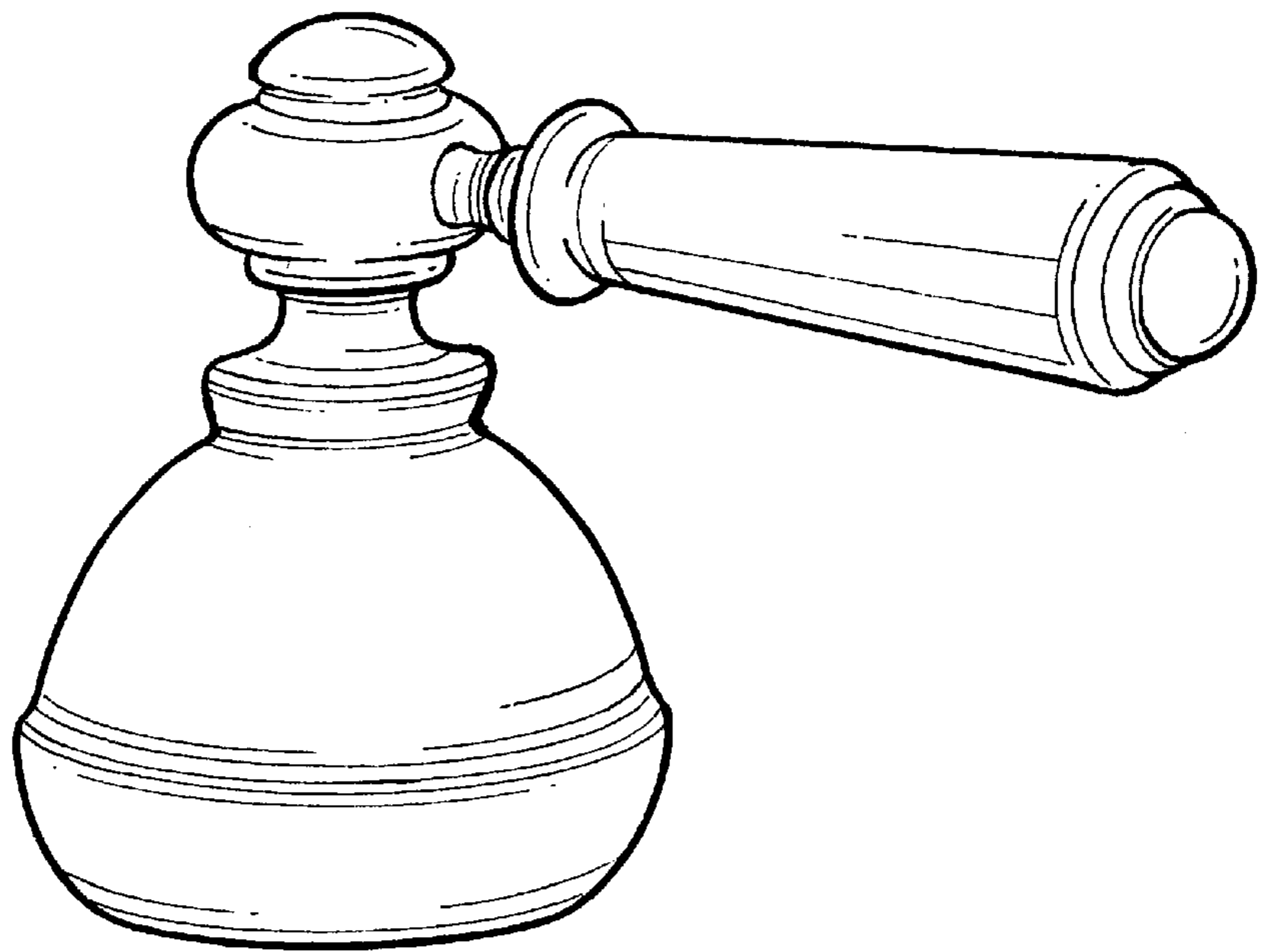


FIG. 1

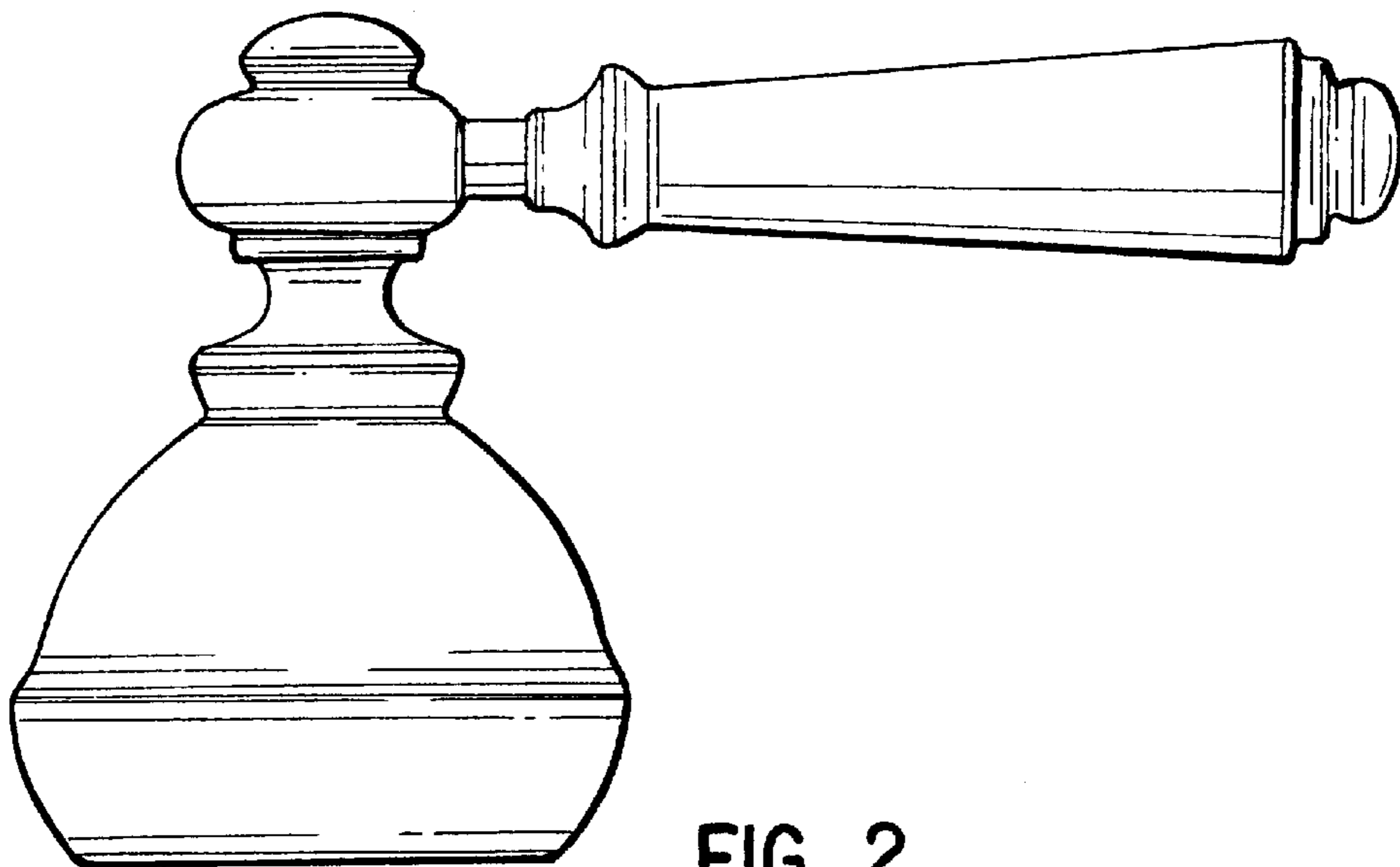


FIG. 2

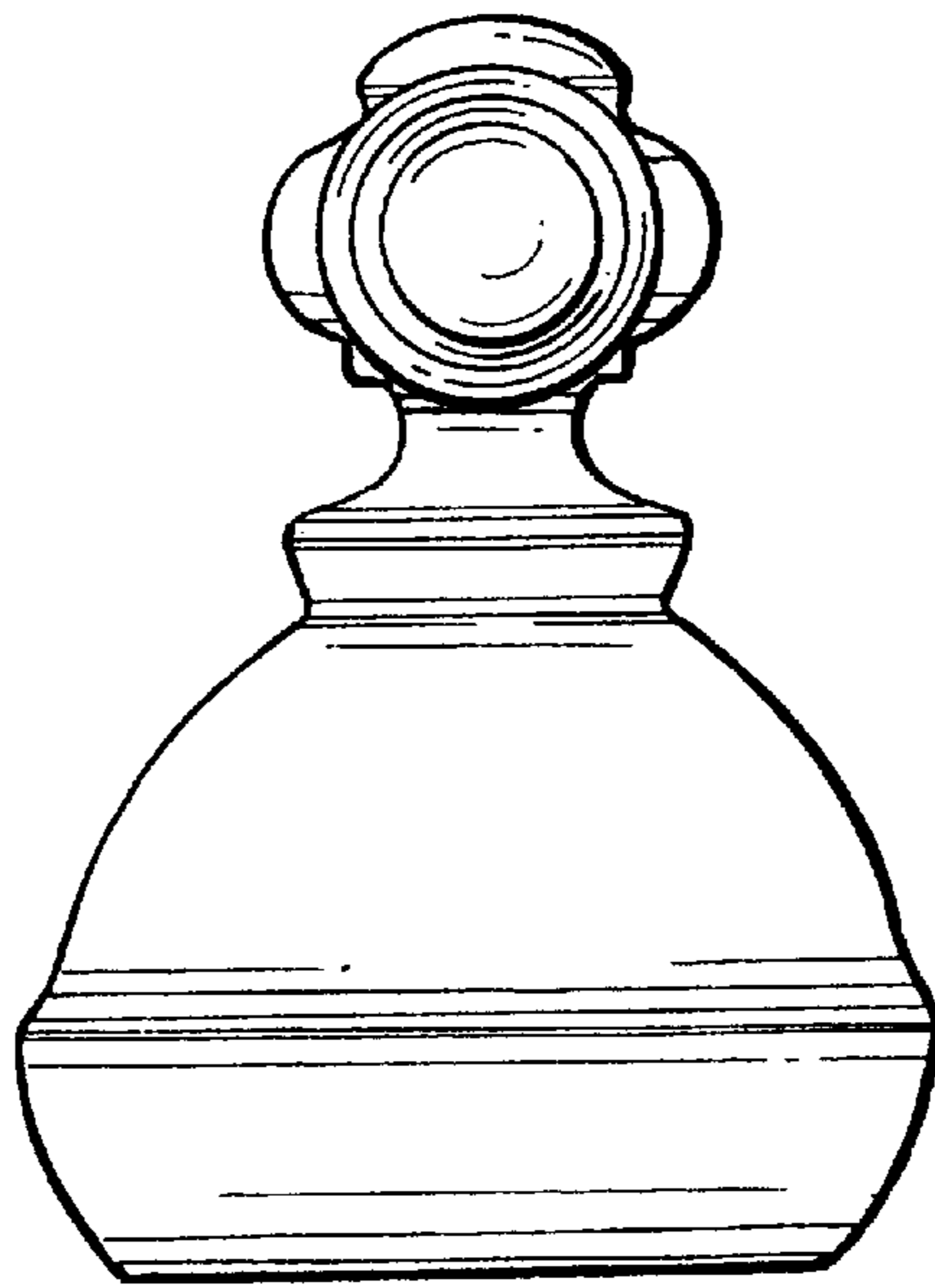


FIG. 3

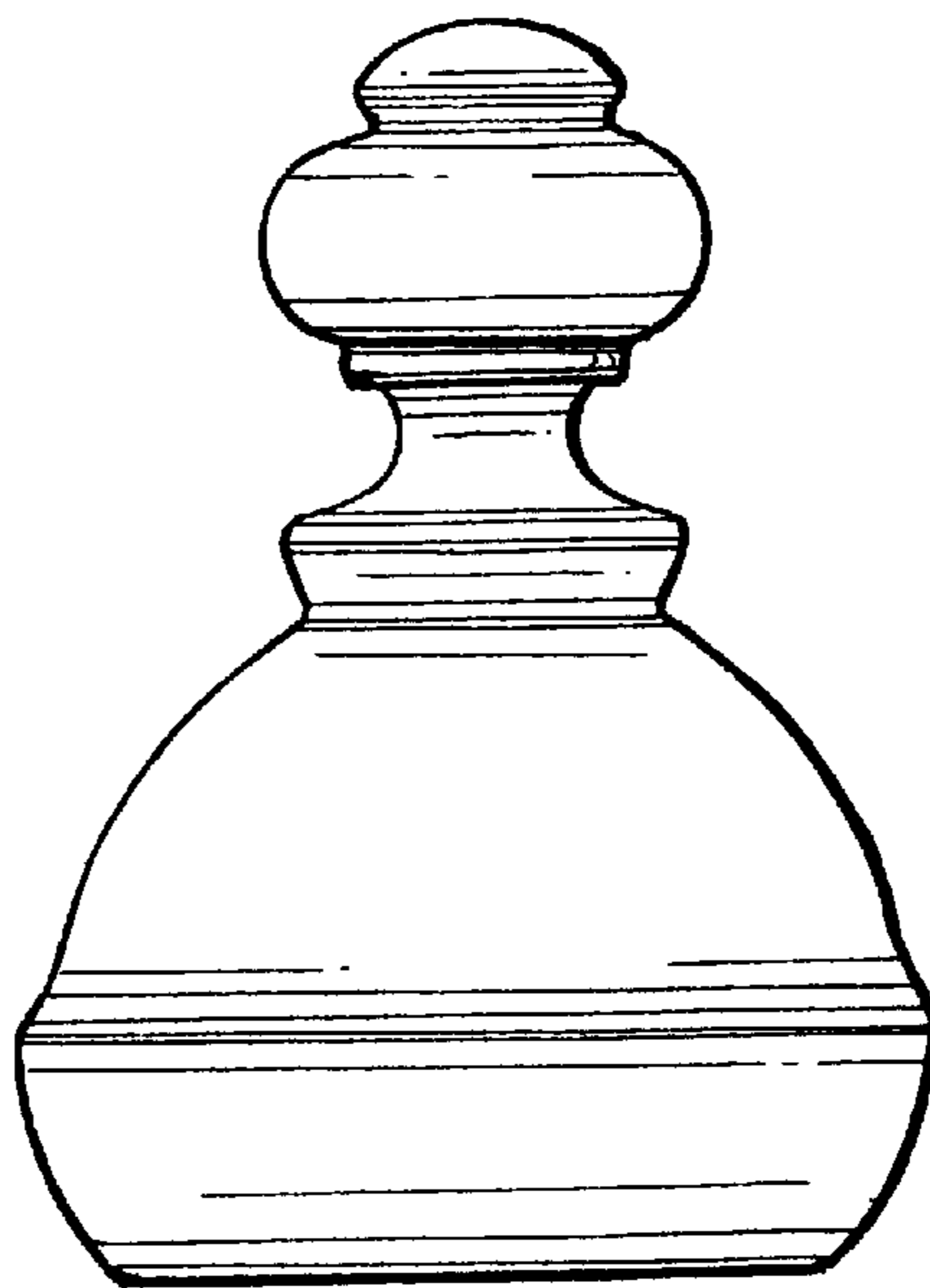


FIG. 4

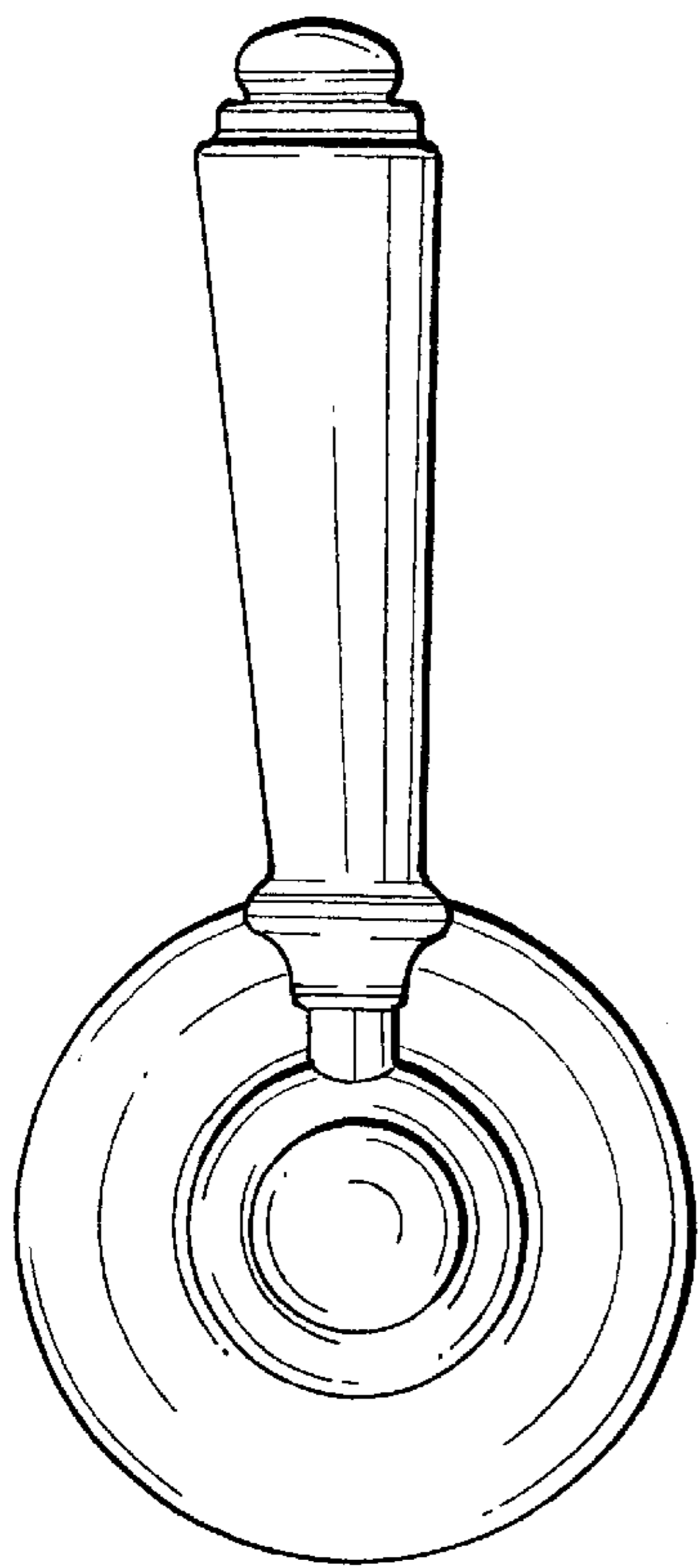


FIG. 5

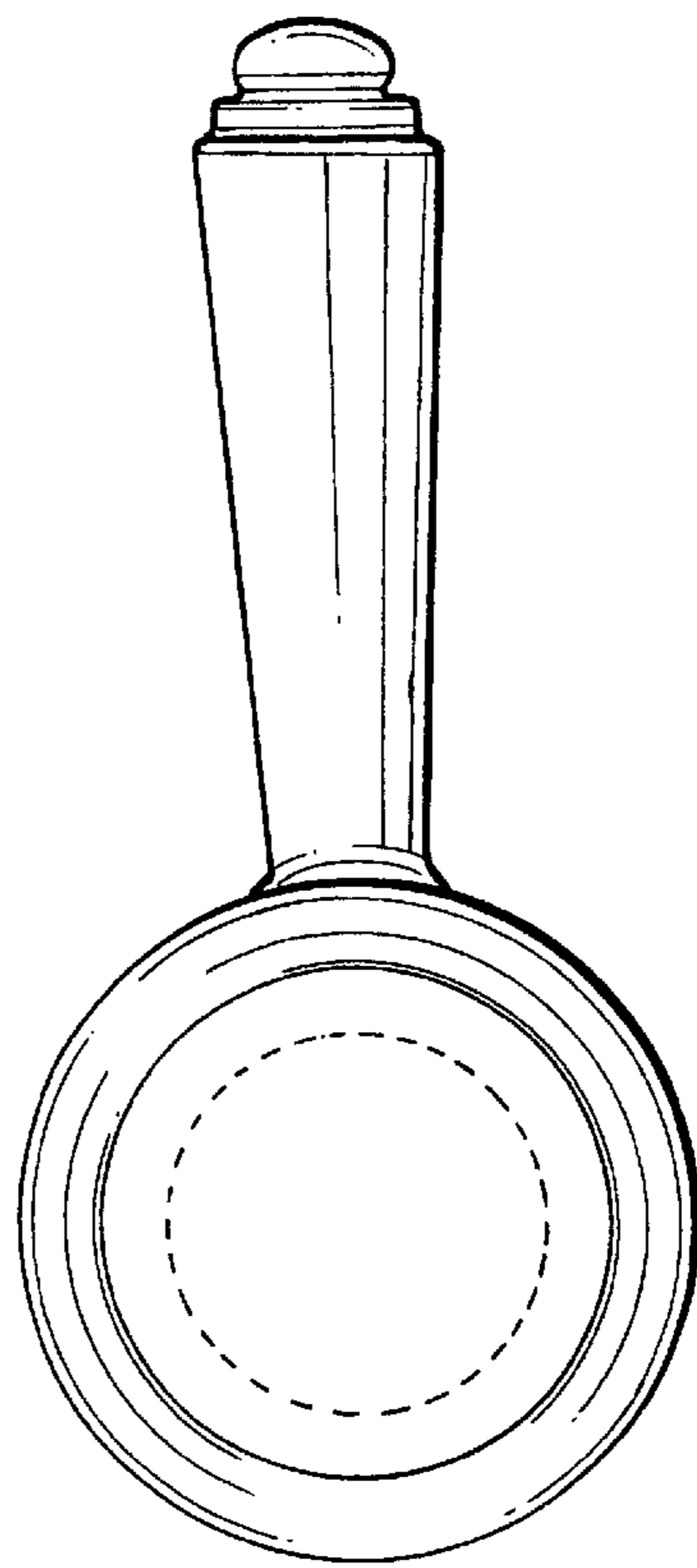


FIG. 6