



US00D479307S

(12) **United States Design Patent**  
**Ferrer Beltran**

(10) **Patent No.:** **US D479,307 S**

(45) **Date of Patent:** **\*\* Sep. 2, 2003**

(54) **ANGULAR VALVE FOR FLUIDS WITH INCORPORATED FILTER**

(75) **Inventor:** **Jose M. Ferrer Beltran, Foyos (ES)**

(73) **Assignee:** **Valvulas Arco, S.A. (ES)**

(\*\*) **Term:** **14 Years**

(21) **Appl. No.:** **29/169,596**

(22) **Filed:** **Oct. 22, 2002**

(51) **LOC (7) Cl.** ..... **23-01**

(52) **U.S. Cl.** ..... **D23/233; D23/209**

(58) **Field of Search** ..... **D23/233-249, D23/209; 210/234, 412; 137/15, 549**

(56) **References Cited**

**U.S. PATENT DOCUMENTS**

D77,028 S	*	11/1928	Price	.....	D23/245
D186,489 S	*	10/1959	Fryd	.....	D23/248
4,055,500 A	*	10/1977	Parker	.....	210/412
4,379,053 A	*	4/1983	Brane	.....	210/234
4,832,077 A	*	5/1989	Pilolla	.....	137/549
D318,903 S	*	8/1991	Lenberg	.....	D23/245
5,101,850 A	*	4/1992	Todd	.....	137/15
5,533,478 A	*	7/1996	Robinson	.....	123/510
D412,561 S	*	8/1999	Voo	.....	D23/245

D429,519 S	*	8/2000	Ferrer Beltran	.....	D23/233
D430,272 S	*	8/2000	Hung-Lin	.....	D23/245
D438,595 S	*	3/2001	Ferrer Beltran	.....	D23/233
D458,665 S	*	6/2002	Lai	.....	D23/233

\* cited by examiner

*Primary Examiner*—Nelson C. Holtje

(74) *Attorney, Agent, or Firm*—Lackenbach Siegel LLP

(57) **CLAIM**

The ornamental design for angular valve for fluids with incorporated filter, as shown and described.

**DESCRIPTION**

FIG. 1 is a perspective view of the angular valve for fluids with incorporated filter;

FIG. 2 is a front elevational view of angular valve of FIG. 1;

FIG. 3 is a top plan view of angular valve of FIG. 1;

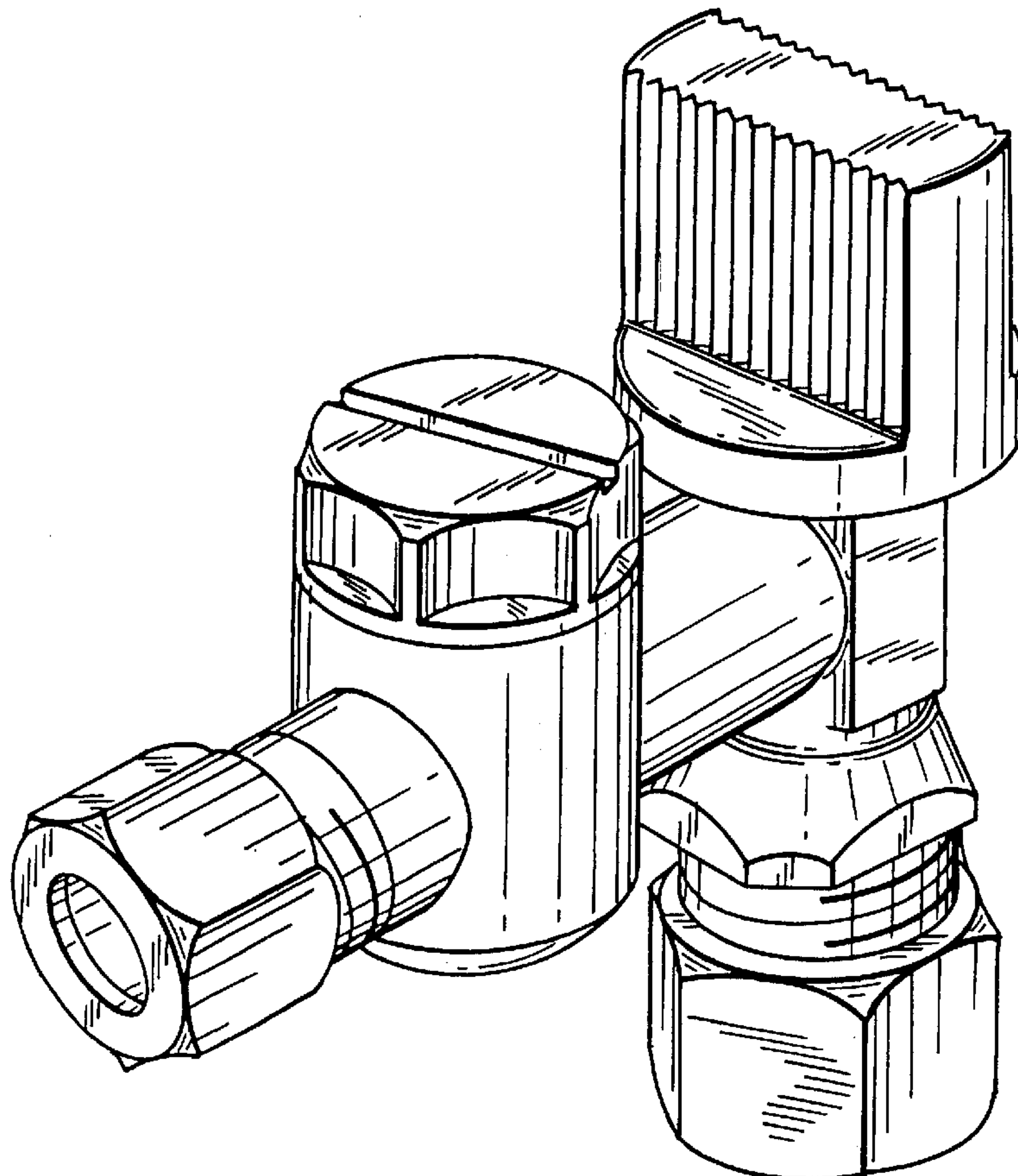
FIG. 4 is a left side elevational view of the angular valve of FIG. 1;

FIG. 5 is a right side elevational view of the angular valve of FIG. 1;

FIG. 6 is a rear elevational view of the angular valve of FIG. 1; and,

FIG. 7 is a bottom view of the angular valve of FIG. 1.

**1 Claim, 4 Drawing Sheets**



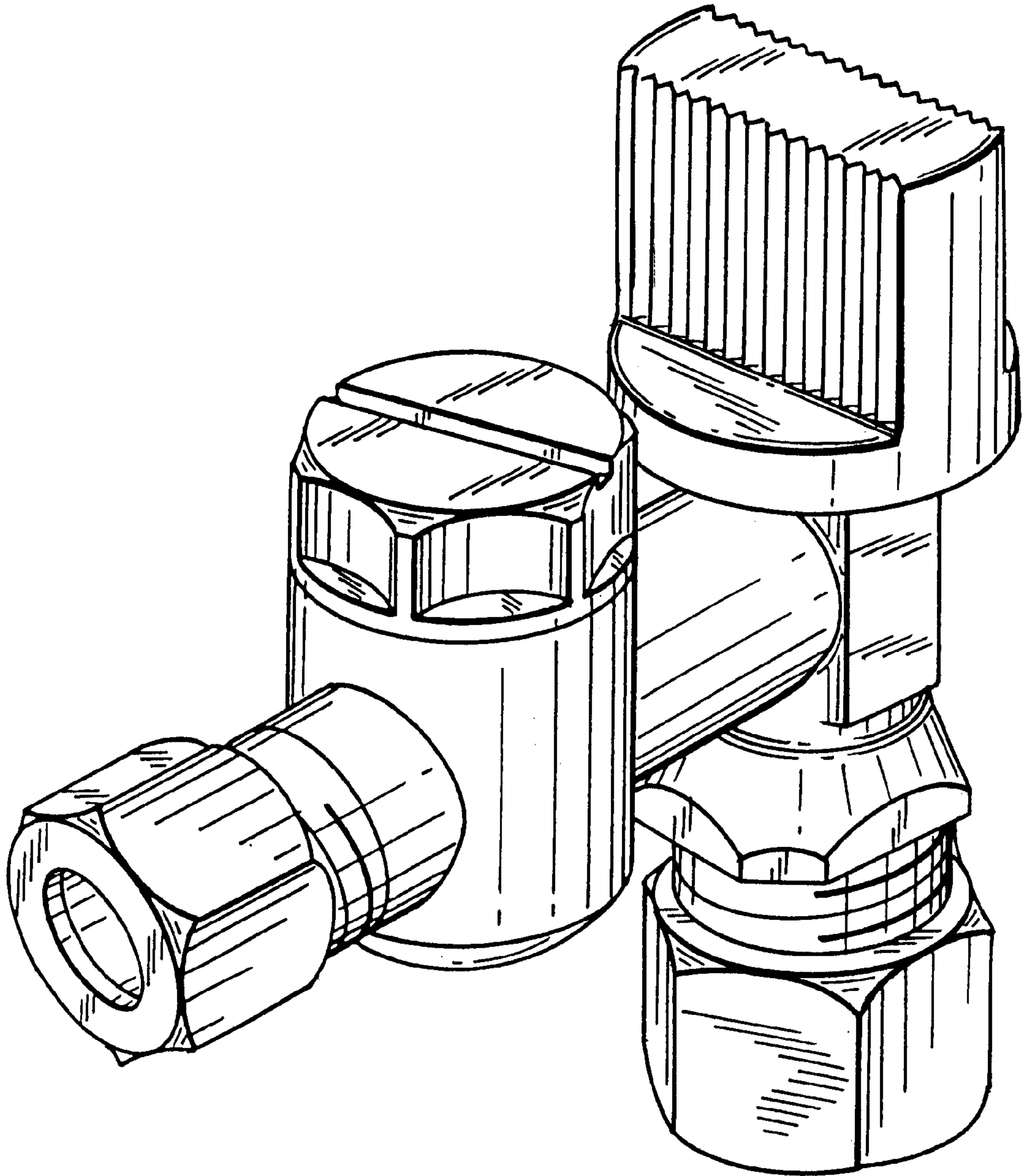


FIG. 1

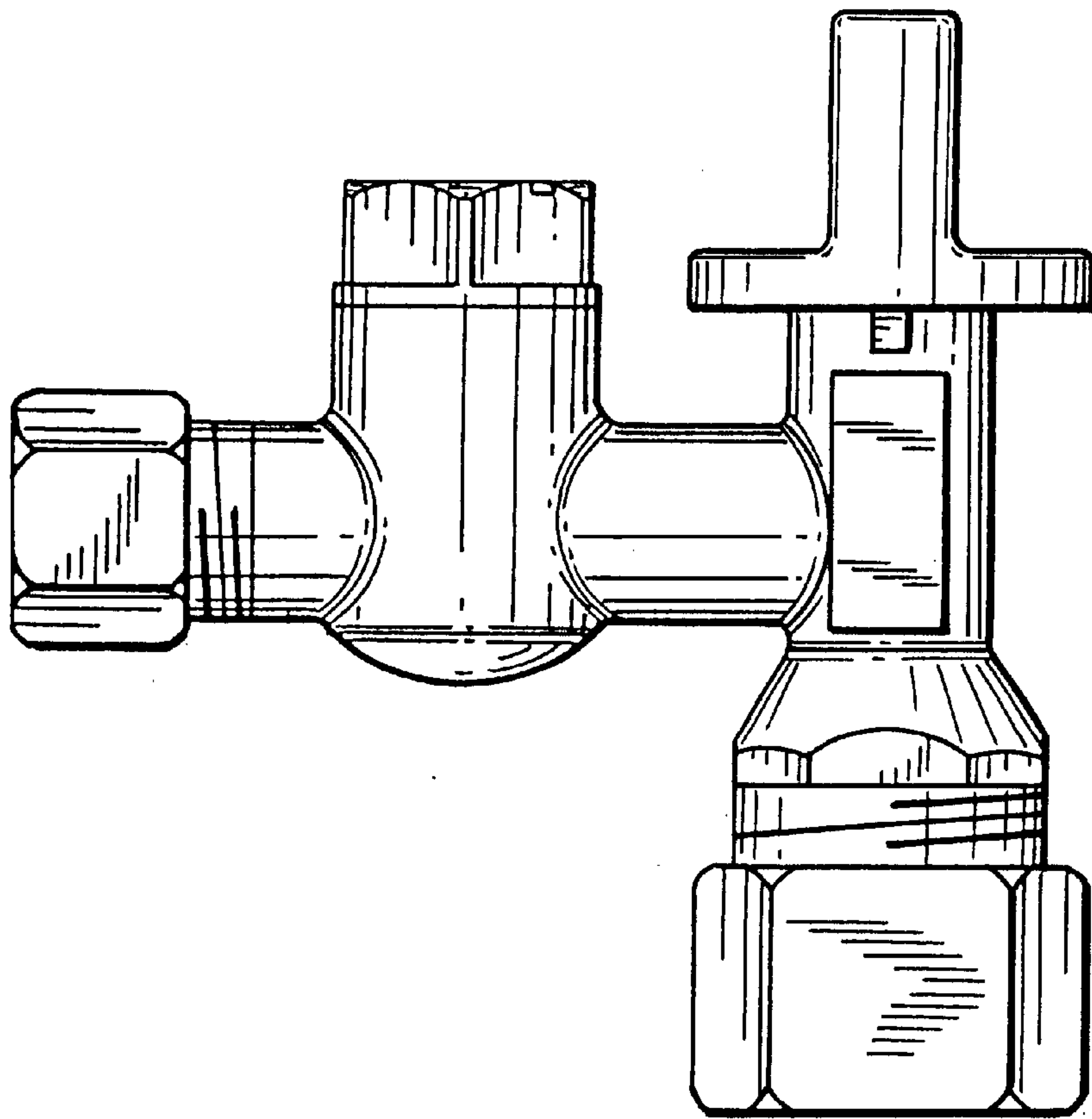


FIG. 2

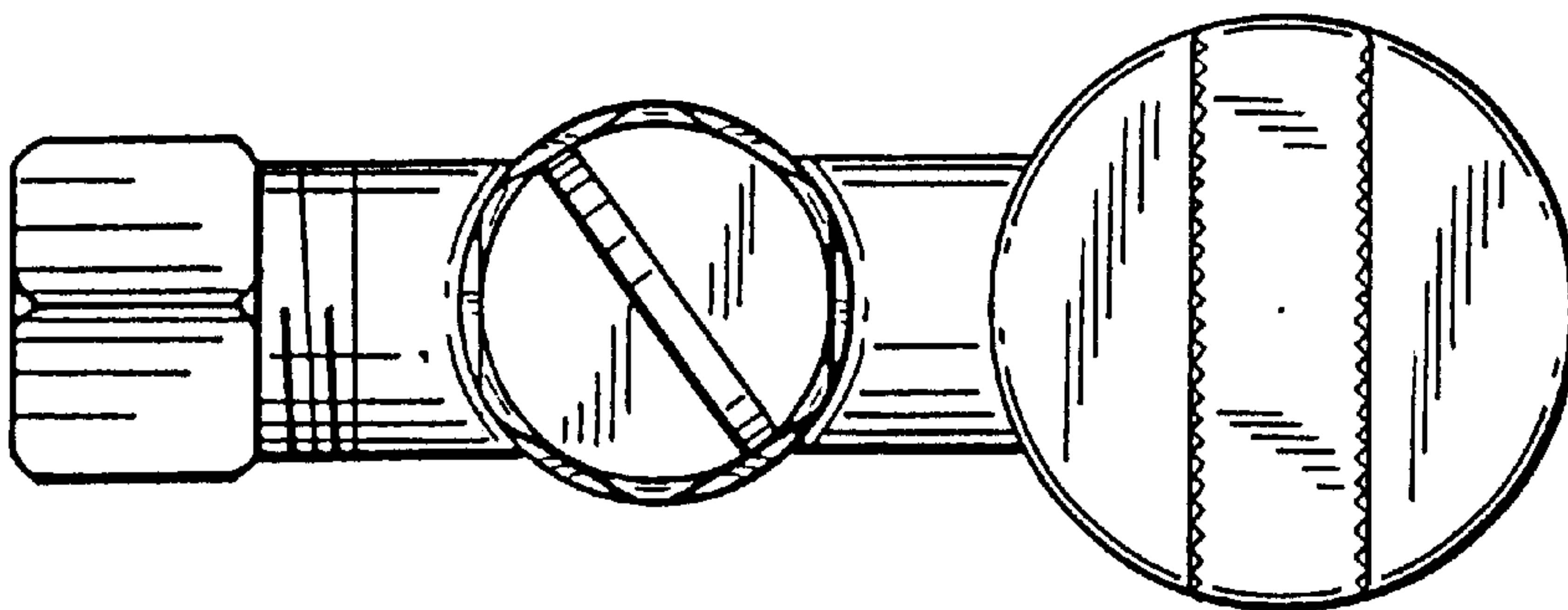


FIG. 3

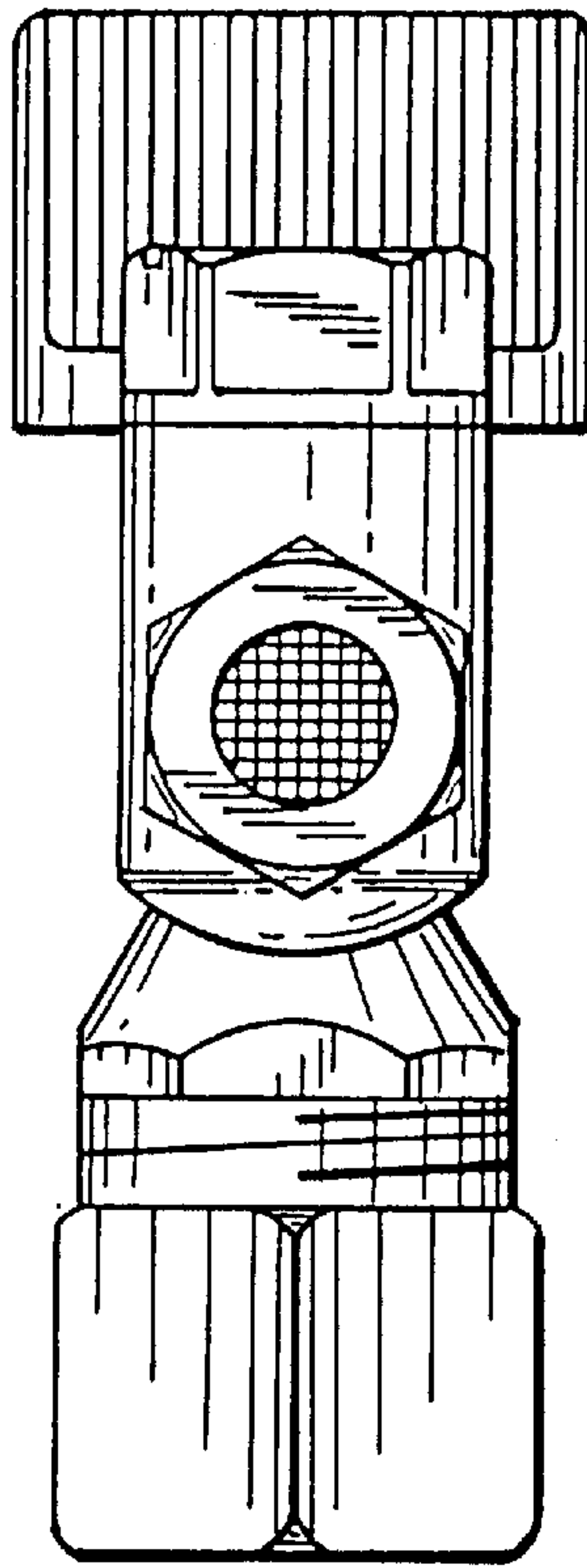


FIG. 4

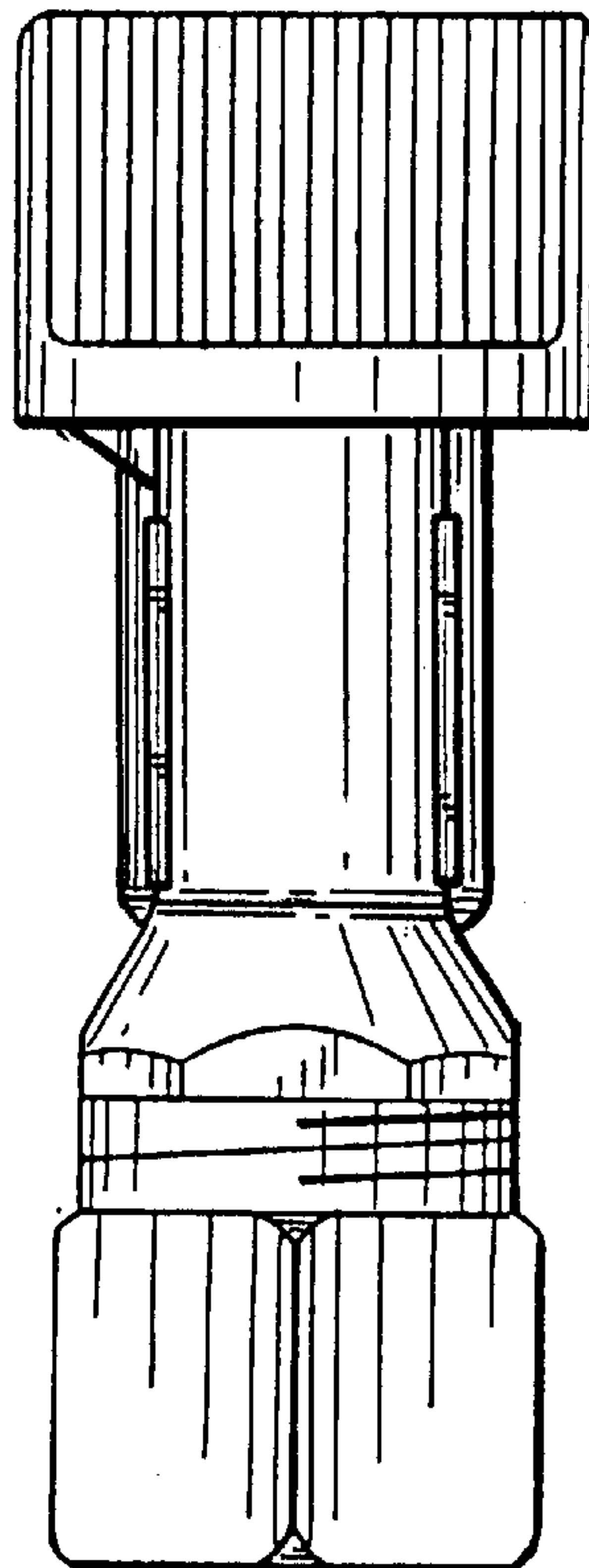


FIG. 5

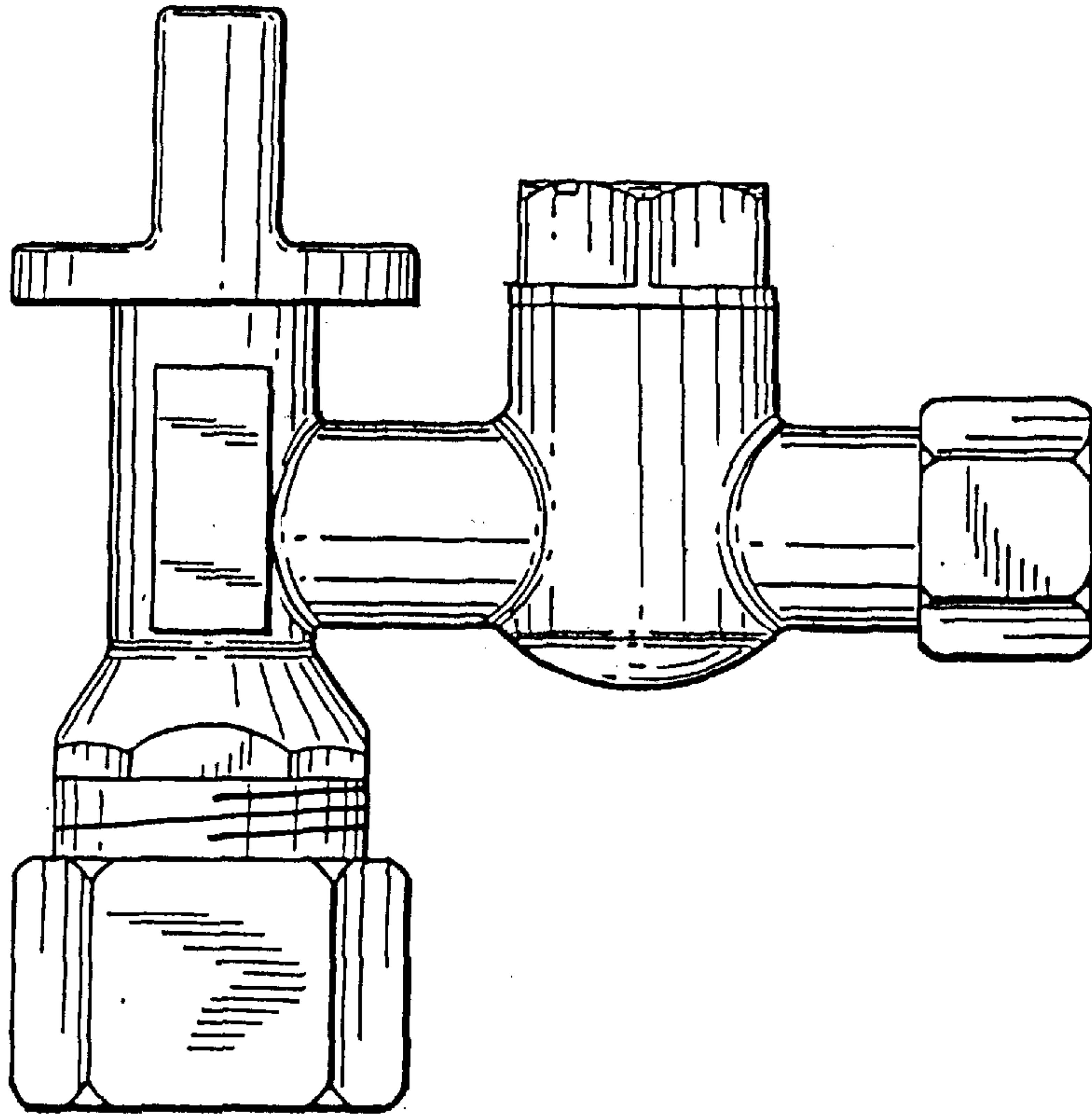


FIG. 6

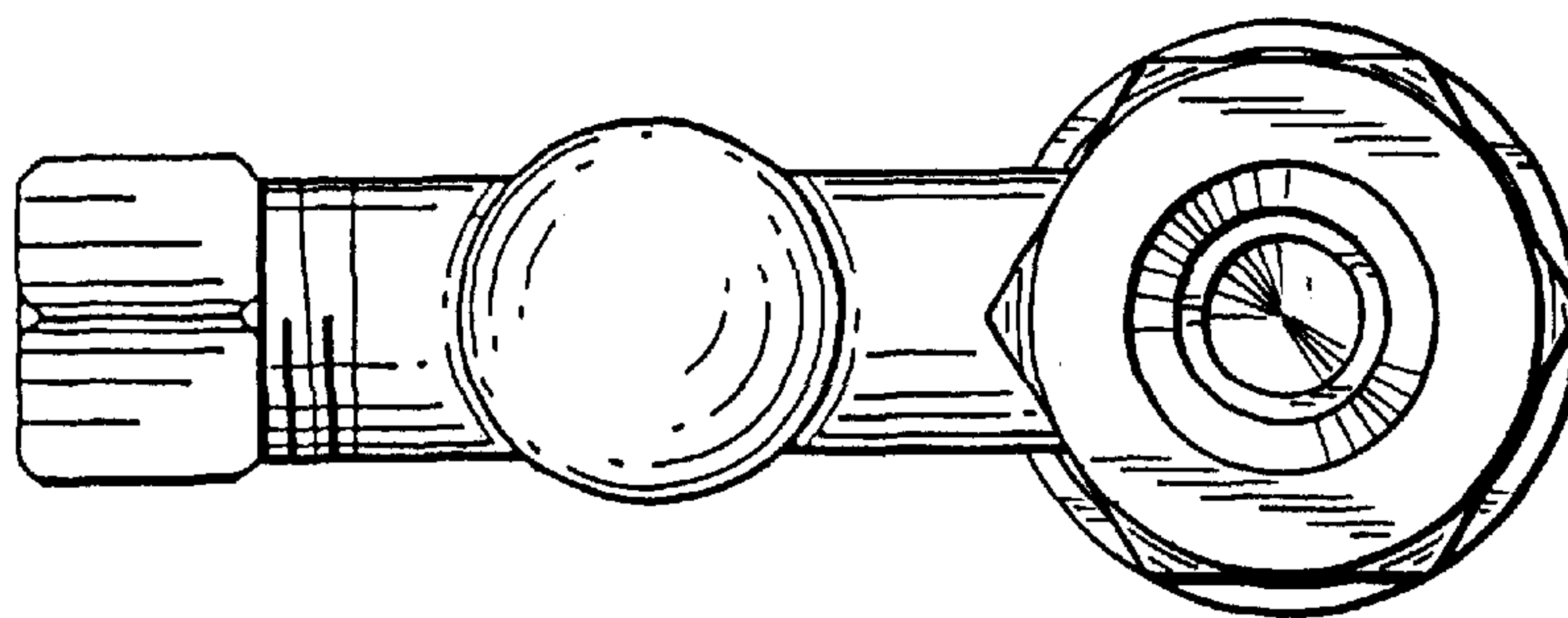


FIG. 7