



US00D479302S

(12) **United States Design Patent**
Chen

(10) **Patent No.:** **US D479,302 S**

(45) **Date of Patent:** **** Sep. 2, 2003**

(54) **LONG PISTOL NOZZLE**

D425,603 S * 5/2000 Guo D23/226

D433,099 S * 10/2000 Chao D23/226

D472,605 S * 4/2003 Nien D23/223

(75) Inventor: **Chin-Yuan Chen**, Chang-Hua Hsien
(TW)

* cited by examiner

(73) Assignee: **Shin Tai Spurt Water of the Garden
Tools Co., Ltd.**, Chang-Hua Hsien
(TW)

Primary Examiner—Robin V. Taylor

(74) *Attorney, Agent, or Firm*—Harrison & Egbert

(**) Term: **14 Years**

(57) **CLAIM**

I claim the ornamental design for a long pistol nozzle, as shown and described.

(21) Appl. No.: **29/172,715**

DESCRIPTION

(22) Filed: **Dec. 17, 2002**

(51) **LOC (7) Cl.** **23-01**

FIG. 1 is an upper perspective view of the long pistol nozzle showing my design.

(52) **U.S. Cl.** **D23/213; D23/223**

FIG. 2 is a front view thereof;

(58) **Field of Search** D23/213, 223,
D23/226; 239/525–527, 532, 280, 280.5

FIG. 3 is a back view thereof;

FIG. 4 is a side view thereof;

(56) **References Cited**

U.S. PATENT DOCUMENTS

D359,547 S * 6/1995 Wang D23/223

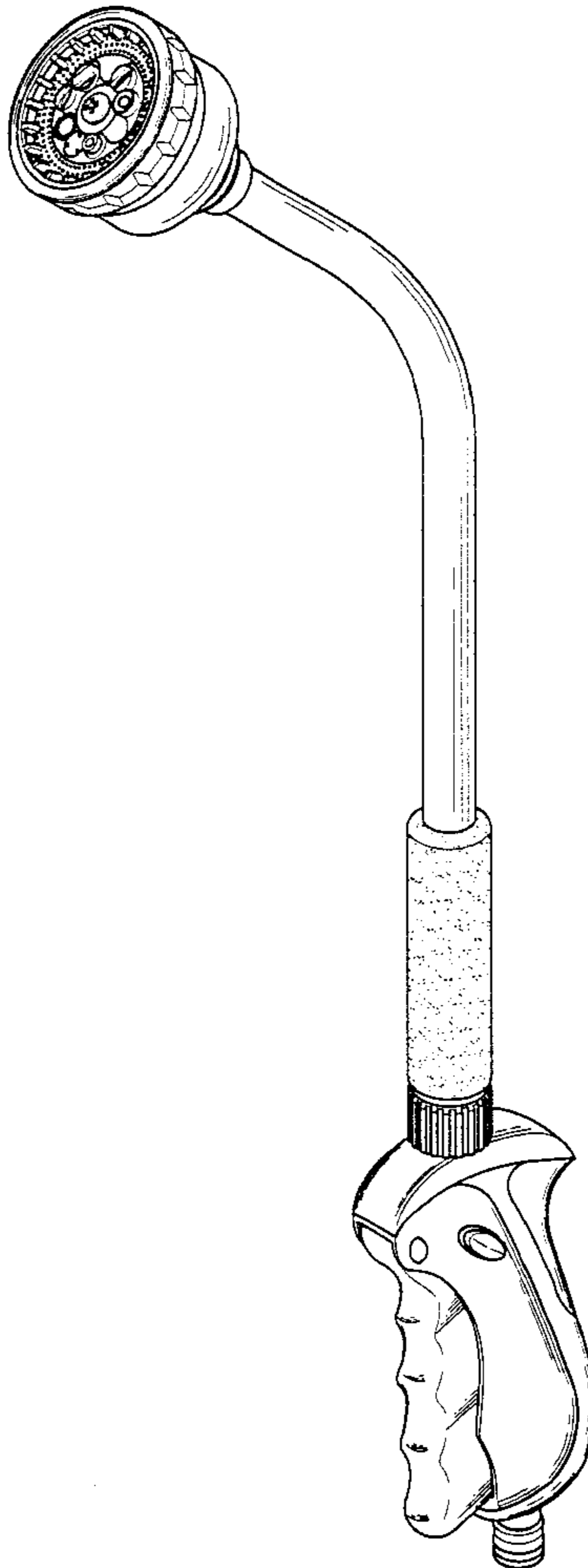
D385,948 S * 11/1997 Guo D23/223

FIG. 5 is an opposite side view thereof;

FIG. 6 is a top view thereof; and,

FIG. 7 is a bottom view thereof.

1 Claim, 6 Drawing Sheets



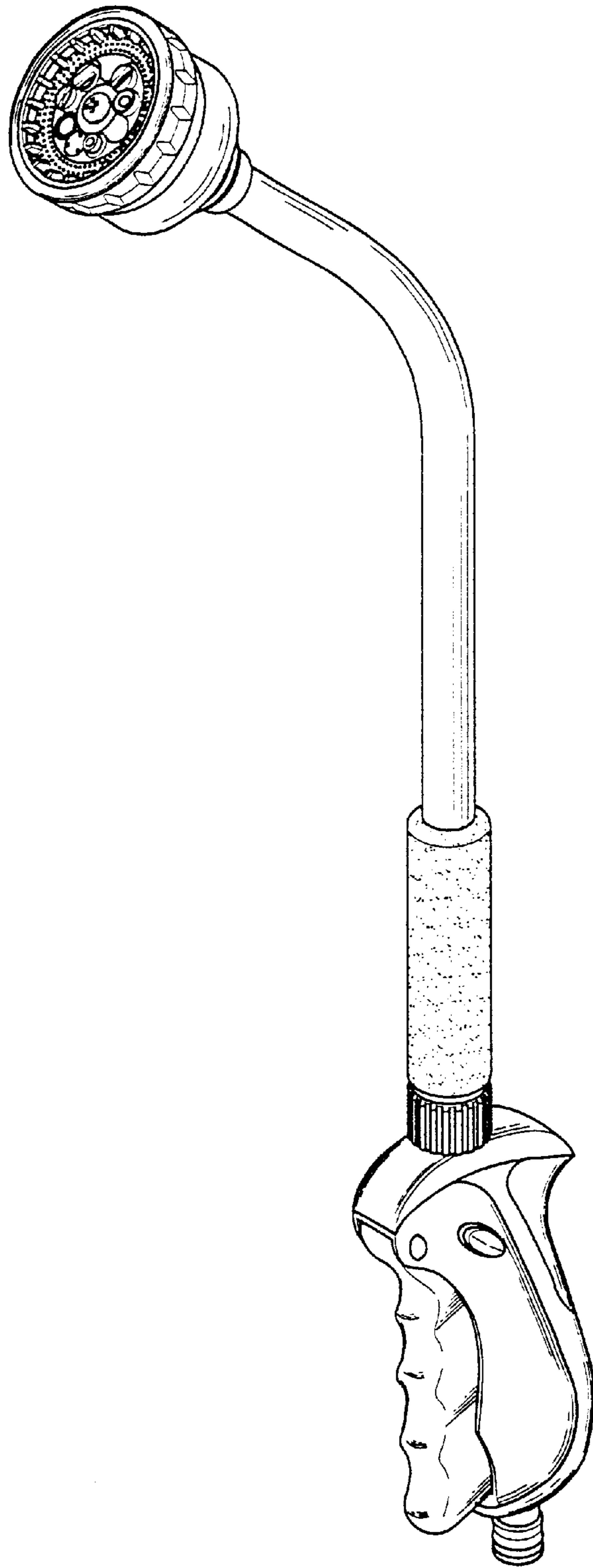


FIG. 1

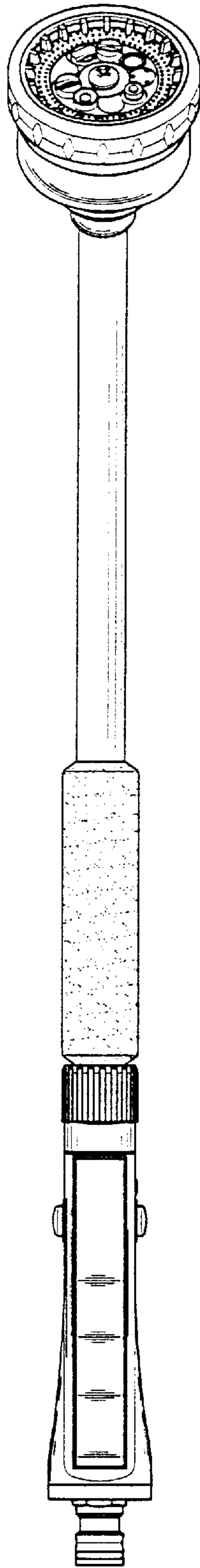


FIG. 2

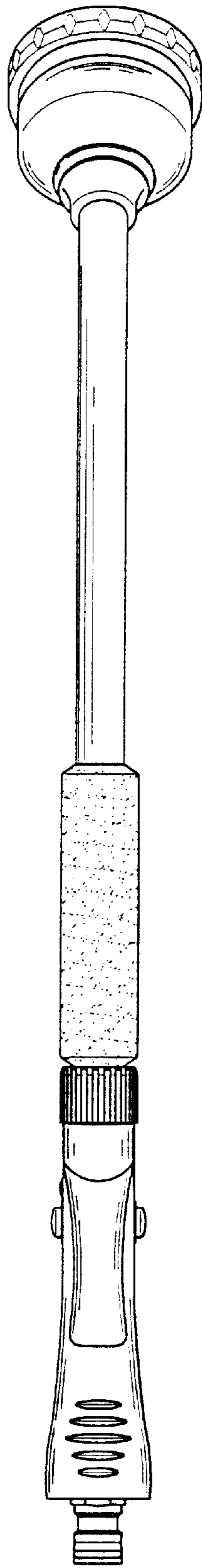


FIG. 3

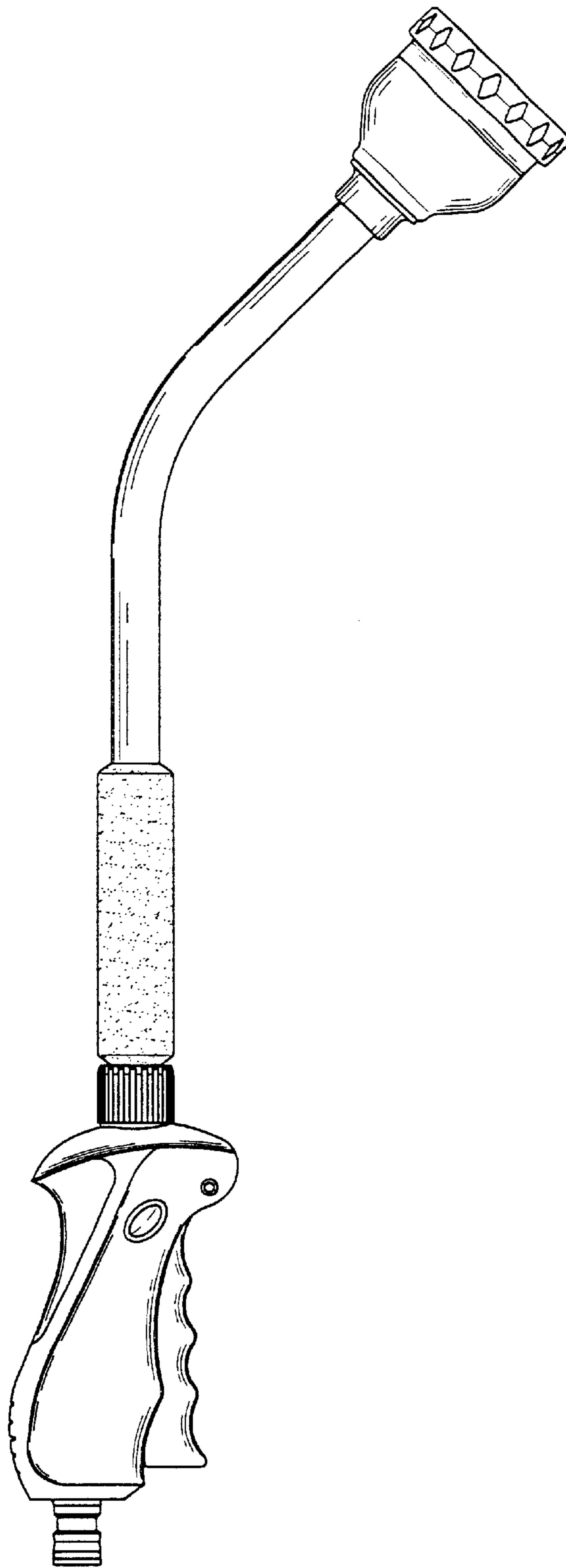


FIG. 4

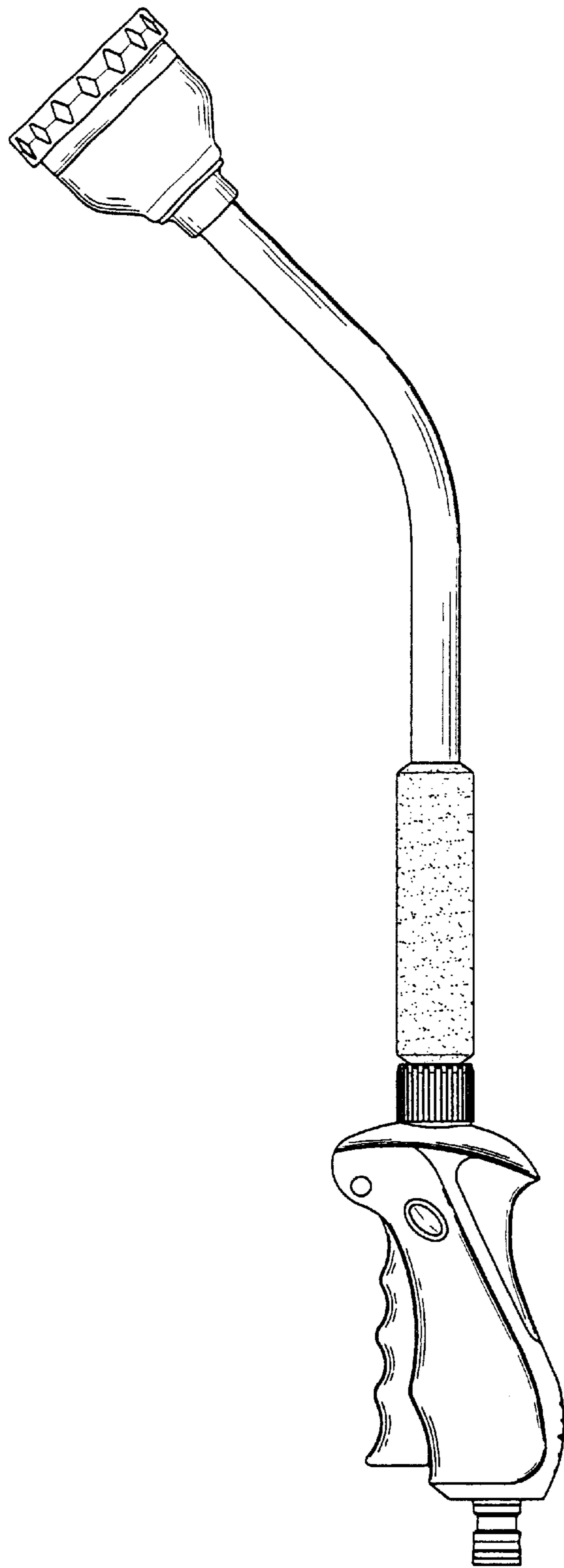


FIG. 5

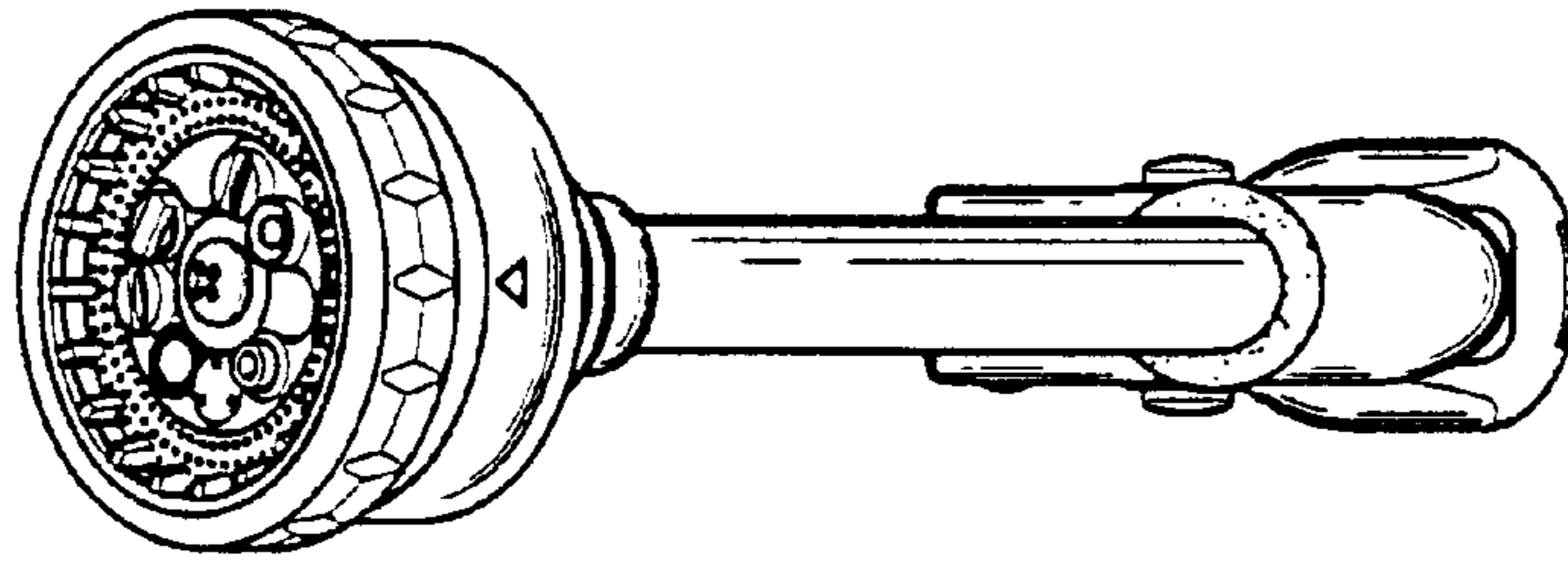


FIG. 6

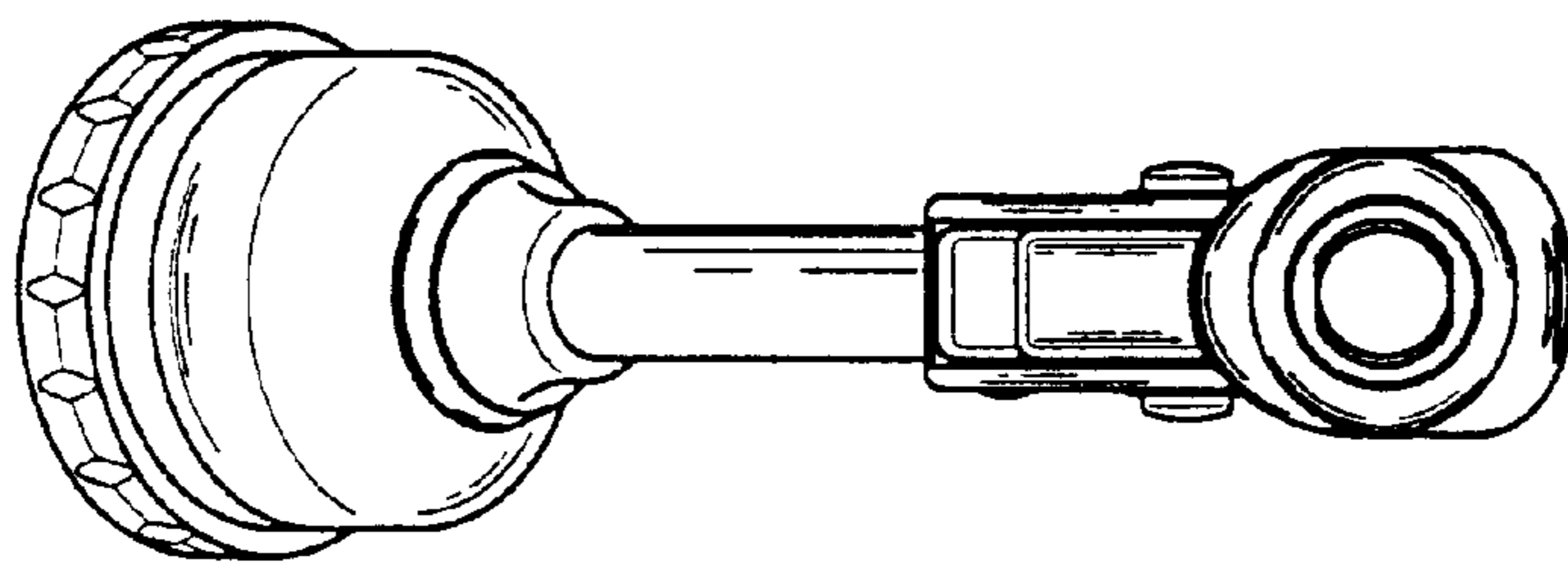


FIG. 7