



US00D479301S

(12) **United States Design Patent**  
**Ouyoung**

(10) **Patent No.:** **US D479,301 S**

(45) **Date of Patent:** **\*\* Sep. 2, 2003**

(54) **MULTIPLE SHOWER HEAD SET**

6,286,158 B1 \* 9/2001 Lin ..... 4/601  
D472,958 S \* 4/2003 Ouyoung ..... D23/213

(75) **Inventor:** **Scott Ouyoung**, Taichung (TW)

\* cited by examiner

(73) **Assignee:** **Globe Union Industrial Corp.**,  
Taichung (TW)

*Primary Examiner*—Robin V. Taylor  
(74) *Attorney, Agent, or Firm*—Leong C. Lei

(\*\*) **Term:** **14 Years**

(57) **CLAIM**

(21) **Appl. No.:** **29/171,974**

The ornamental design for a multiple shower head set, as shown and described.

(22) **Filed:** **Dec. 4, 2002**

**DESCRIPTION**

(51) **LOC (7) Cl.** ..... **23-01**

(52) **U.S. Cl.** ..... **D23/213**

(58) **Field of Search** ..... D23/213, 229,  
D23/230; 239/284, 447, 449, 536, 548;  
4/601

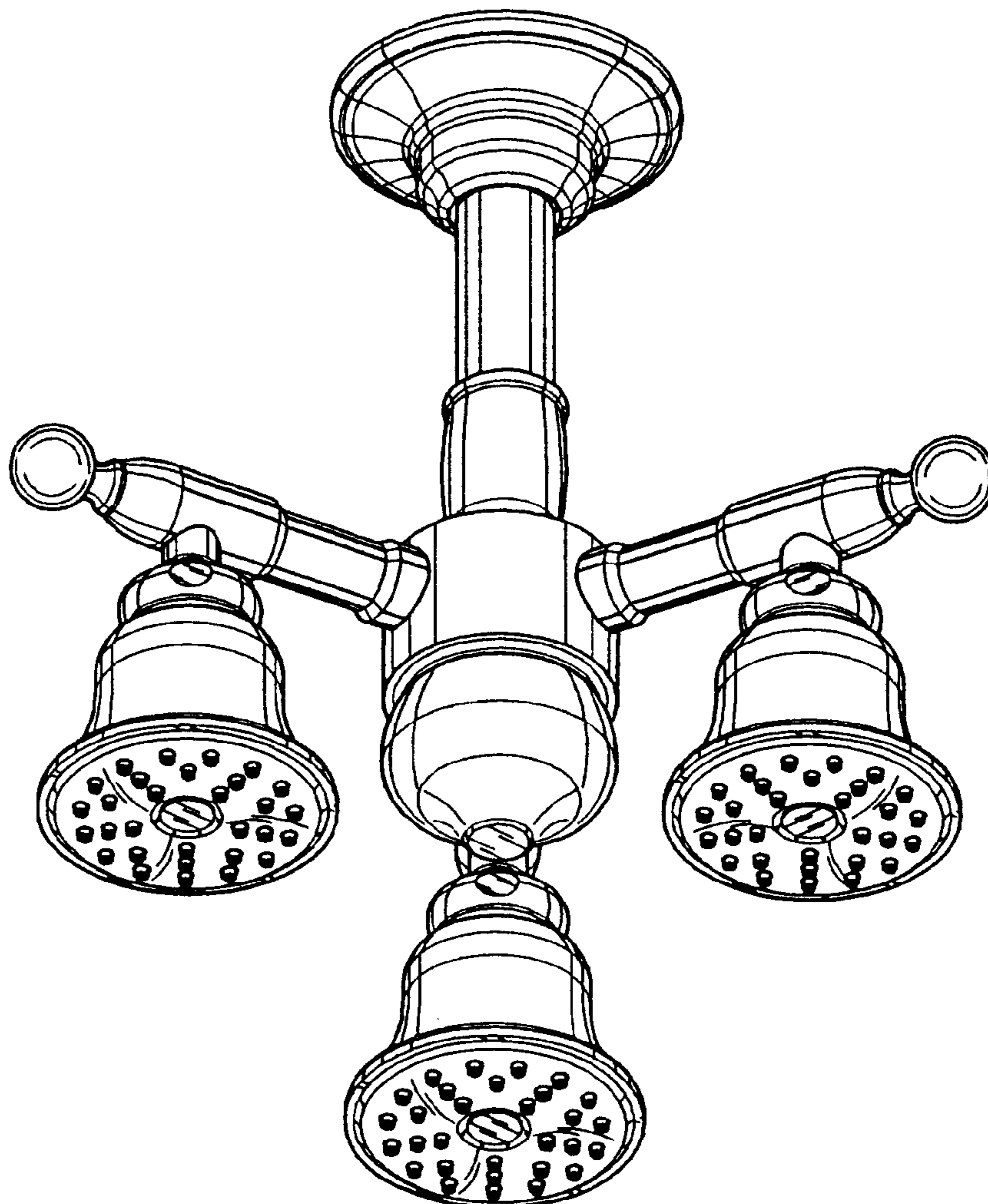
FIG. 1 is a perspective view of a multiple shower head set showing my new design.  
FIG. 2 is a front side elevation view thereof;  
FIG. 3 is a left side elevation view thereof;  
FIG. 4 is a right side elevation view thereof;  
FIG. 5 is a rear side elevation view thereof;  
FIG. 6 is a top plan view thereof; and,  
FIG. 7 is a bottom plan view thereof.

(56) **References Cited**

**U.S. PATENT DOCUMENTS**

D417,716 S \* 12/1999 Warshawsky ..... D23/213  
D417,903 S \* 12/1999 Warshawsky ..... D23/213

**1 Claim, 4 Drawing Sheets**



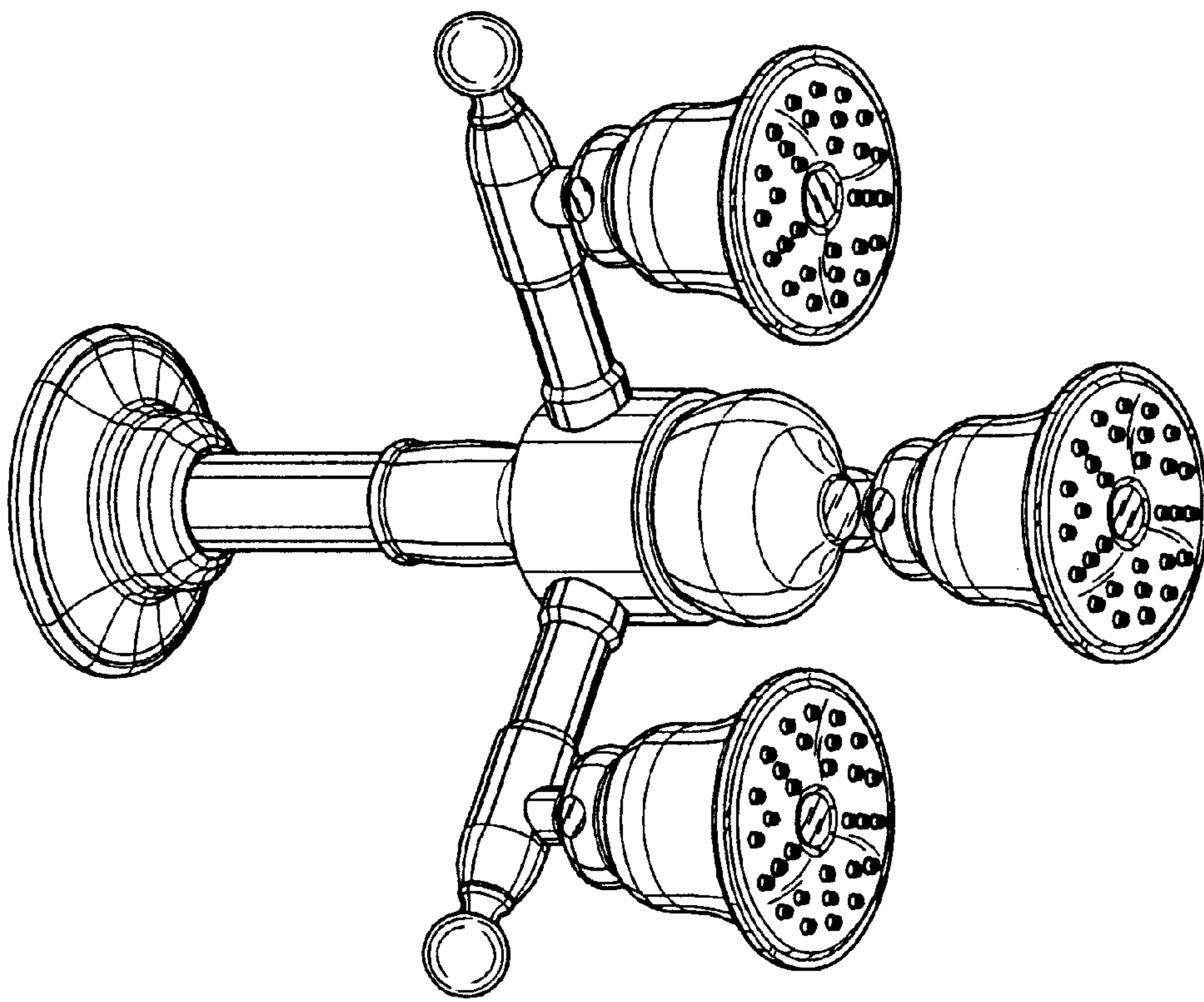


FIG. 1

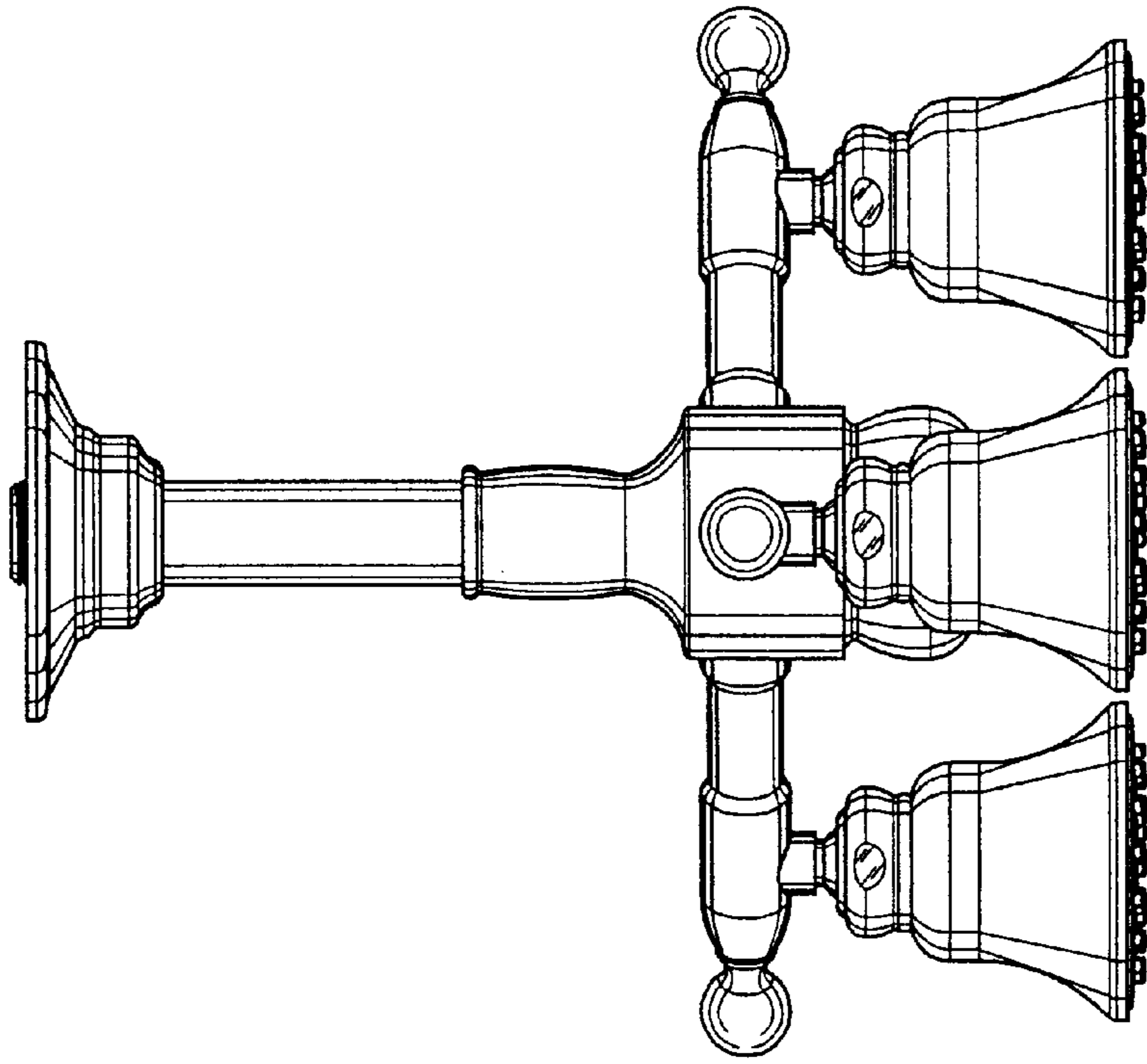


FIG. 2

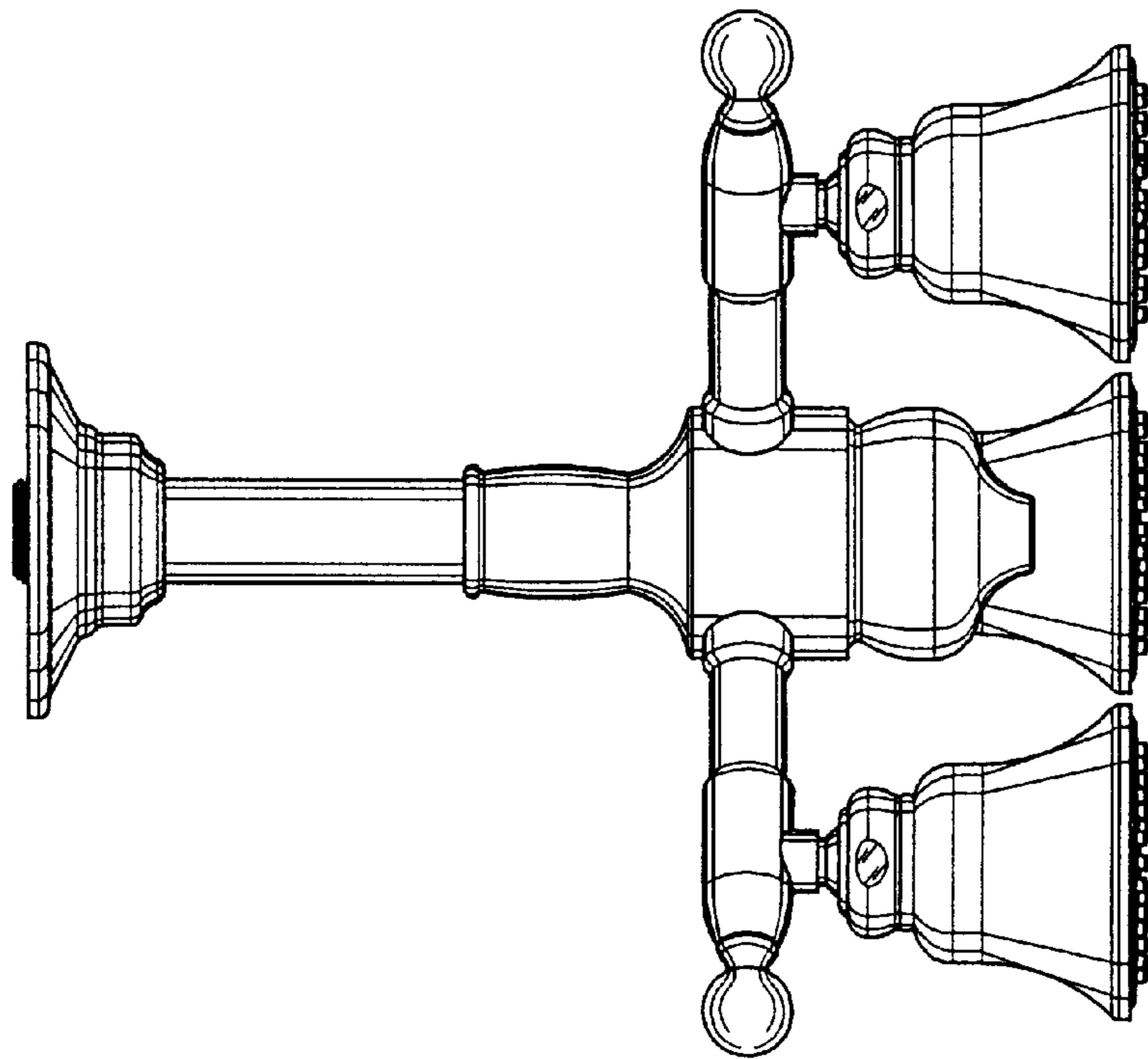


FIG. 5

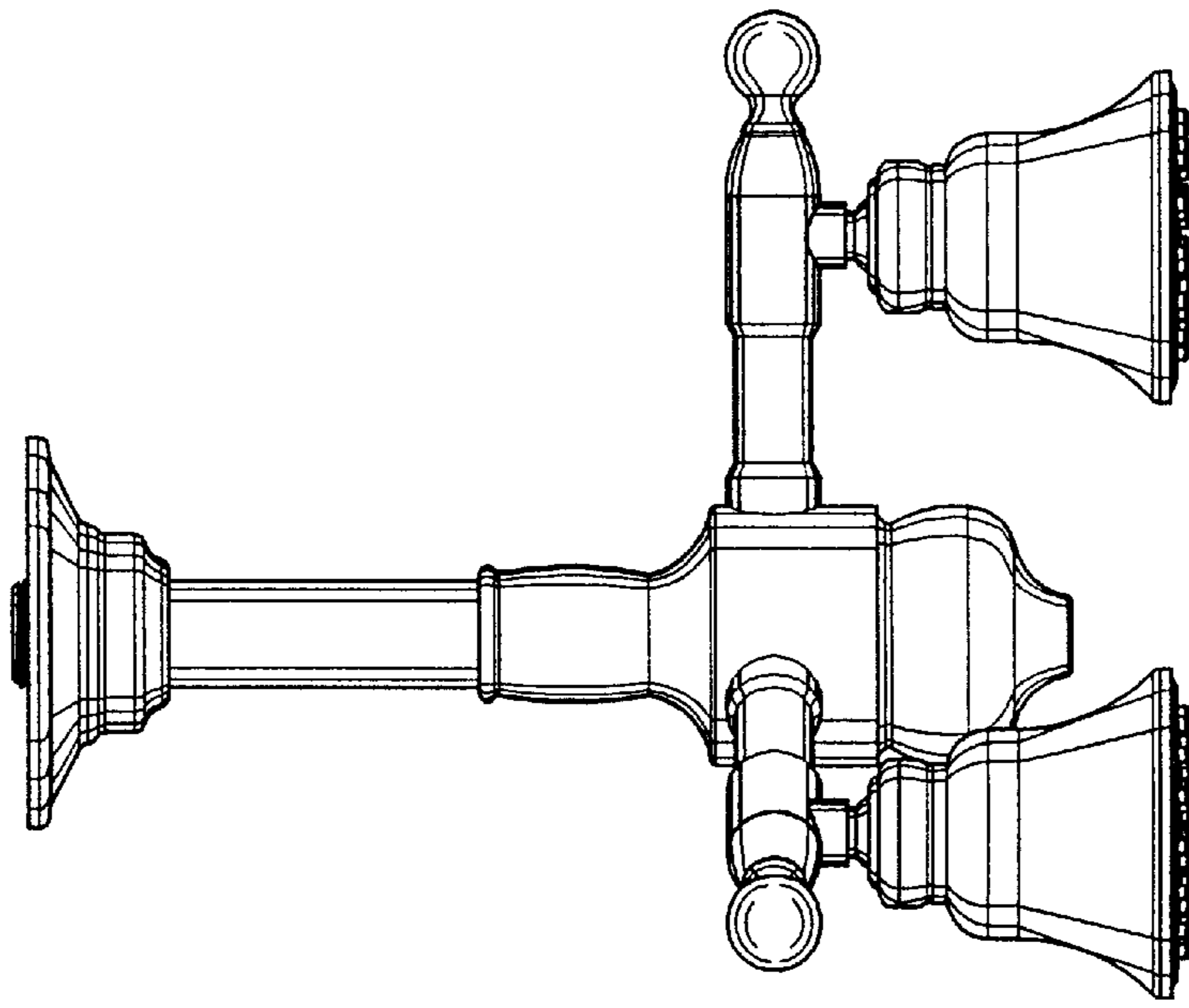


FIG. 3

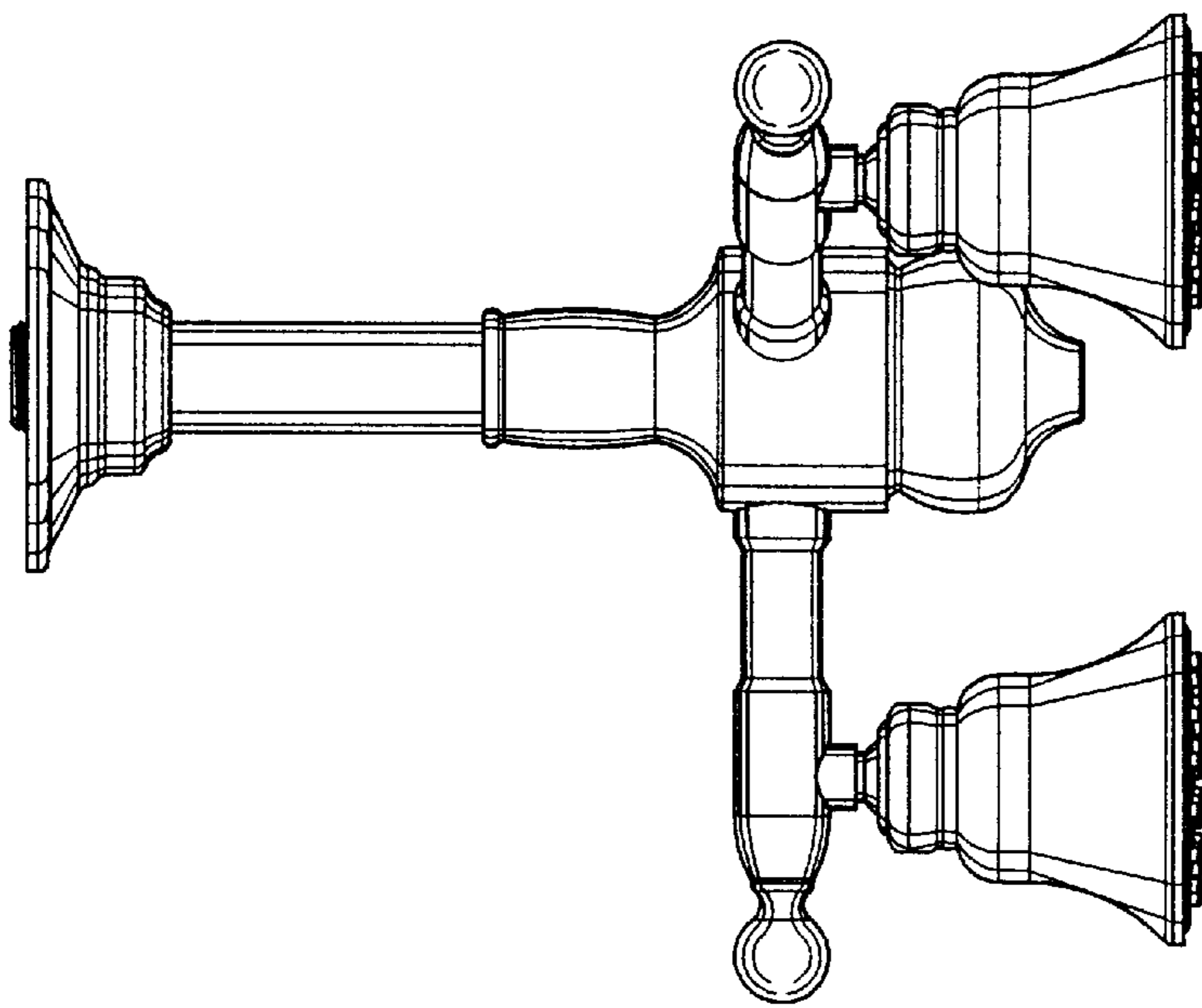


FIG. 4



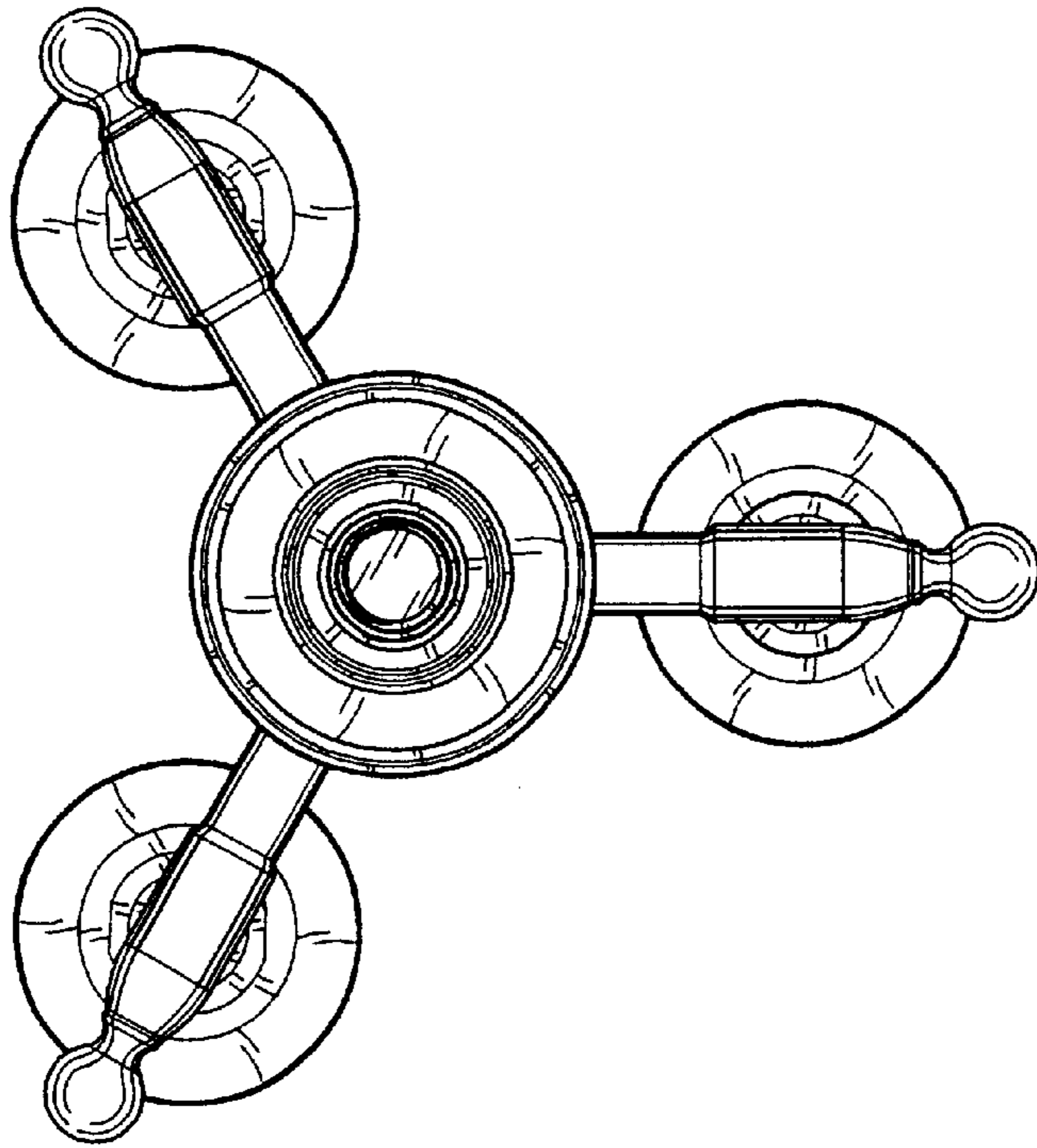


FIG. 6

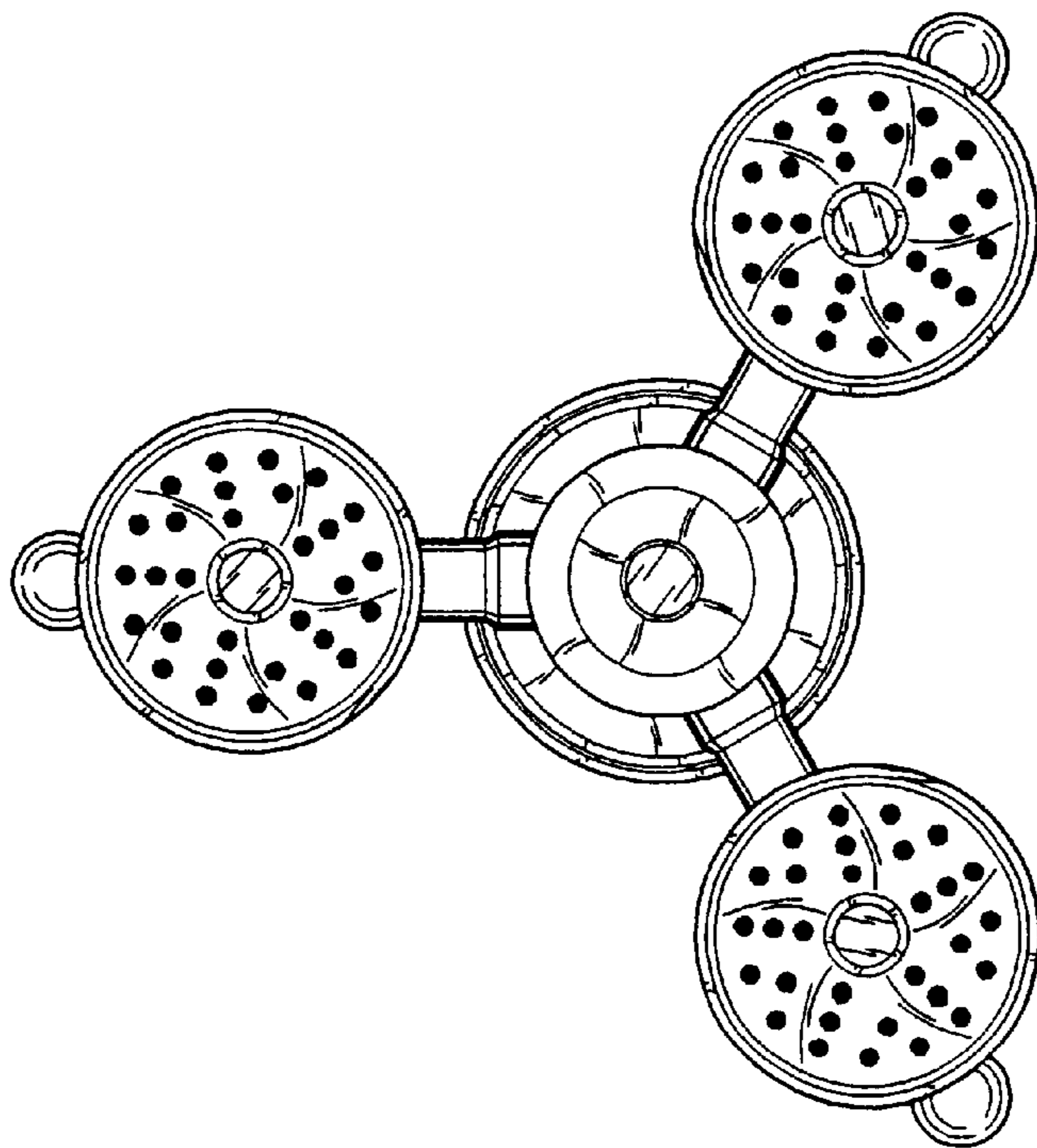


FIG. 7