



US00D479300S

(12) **United States Design Patent**
Janik et al.

(10) **Patent No.:** **US D479,300 S**
(45) **Date of Patent:** **** Sep. 2, 2003**

(54) **FILTER CARTRIDGE**

(75) Inventors: **Leon P. Janik**, Suffield, CT (US);
Michael J. Williams, Glastonbury, CT (US)

(73) Assignee: **Stanadyne Corporation**, Windsor, CT (US)

(**) Term: **14 Years**

(21) Appl. No.: **29/168,002**

(22) Filed: **Sep. 25, 2002**

(51) **LOC (7) Cl.** **23-01**

(52) **U.S. Cl.** **D23/209**

(58) **Field of Search** D23/207, 209;
210/435, 264, 460

(56) **References Cited**

U.S. PATENT DOCUMENTS

3,760,951 A	*	9/1973	Mansfield	210/460
D356,852 S	*	3/1995	Janik et al.	D23/209
D406,874 S	*	3/1999	Farley	D23/209
D412,963 S	*	8/1999	Nelsen et al.	D23/209

* cited by examiner

Primary Examiner—Robin V. Taylor

(74) *Attorney, Agent, or Firm*—Alix, Yale & Ristas, LLP

(57) **CLAIM**

The ornamental design for a filter cartridge, as shown and described.

DESCRIPTION

FIG. 1 is a perspective view, portions shown in broken lines forming no part of the claimed design, of a filter cartridge showing our new design;

FIG. 2 is a top plan view, portions shown in broken lines forming no part of the claimed design, of the filter cartridge of FIG. 1;

FIG. 3 is a front elevational view, portions shown in broken lines forming no part of the claimed design, of the filter cartridge of FIG. 1, a portion being broken away and shown in section to illustrate the contour thereof;

FIG. 4 is a front elevational view, portions shown in broken lines forming no part of the claimed design, of a second embodiment of the filter cartridge;

FIG. 5 is a side elevational view, portions shown in broken lines forming no part of the claimed design, of the filter cartridge of FIG. 4 viewed from the left thereof;

FIG. 6 is a side elevational view, portions shown in broken lines forming no part of the claimed design, of the filter cartridge of FIG. 4 viewed from the right thereof;

FIG. 7 is a front elevational view, portions shown in broken lines forming no part of the claimed design, of a third embodiment of the filter cartridge;

FIG. 8 is a front elevational view, portions shown in broken lines forming no part of the claimed design, of a fourth embodiment of the filter cartridge;

FIG. 9 is a bottom plan view of the filter cartridge of FIGS. 1-8 thereof;

FIG. 10 is a top plan view, portions shown in broken lines forming no part of the claimed design, of a filter cartridge configured with four retention tabs showing our new design;

FIG. 11 is a front elevational view, portions shown in broken lines forming no part of the claimed design, of the filter cartridge of FIG. 10, the left and right side elevational views being substantially identical;

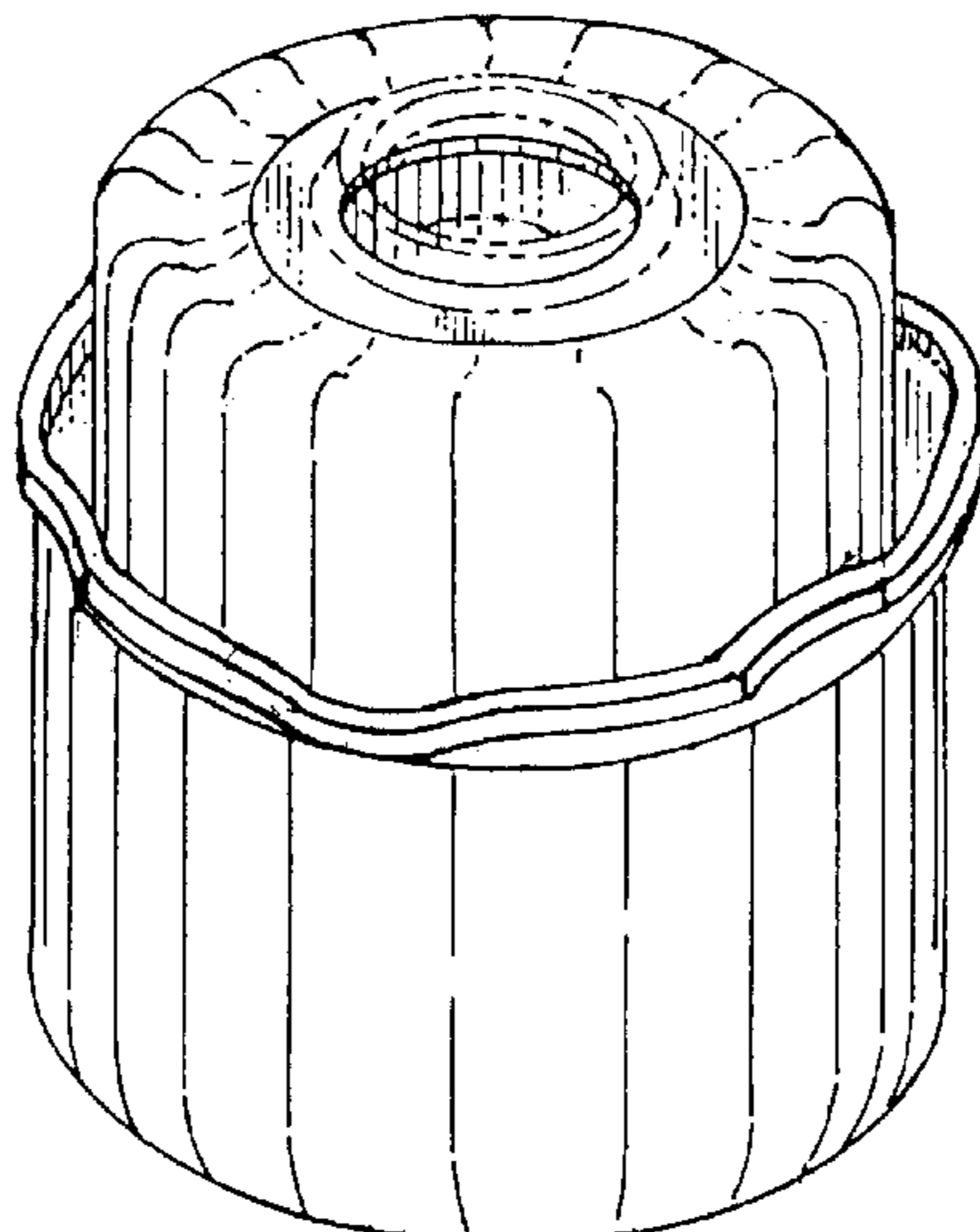
FIG. 12 is a bottom plan view of the filter cartridge of FIG. 10;

FIG. 13 is a front elevational view of the filter cartridge of FIG. 4 with an optional drain cock illustrated in broken lines mounted thereto and an optional representative radially protruding key represented in broken lines forming no part of the claimed design; and,

FIG. 14 is a bottom plan view, portions shown in broken lines forming no part of the claimed design, of the filter cartridge of FIG. 13.

The portions shown in broken lines form no part of the claimed design.

1 Claim, 5 Drawing Sheets



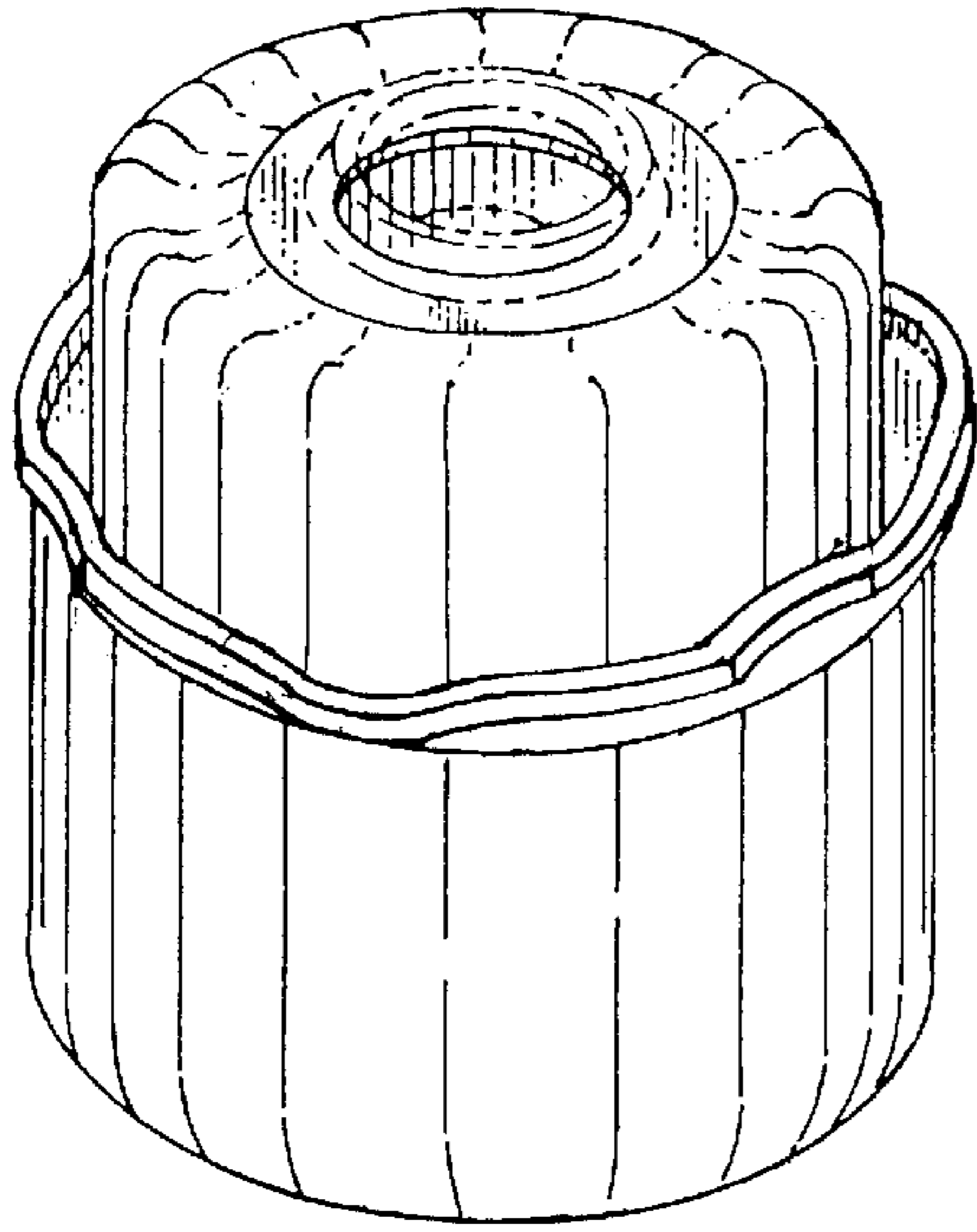


FIG. 1

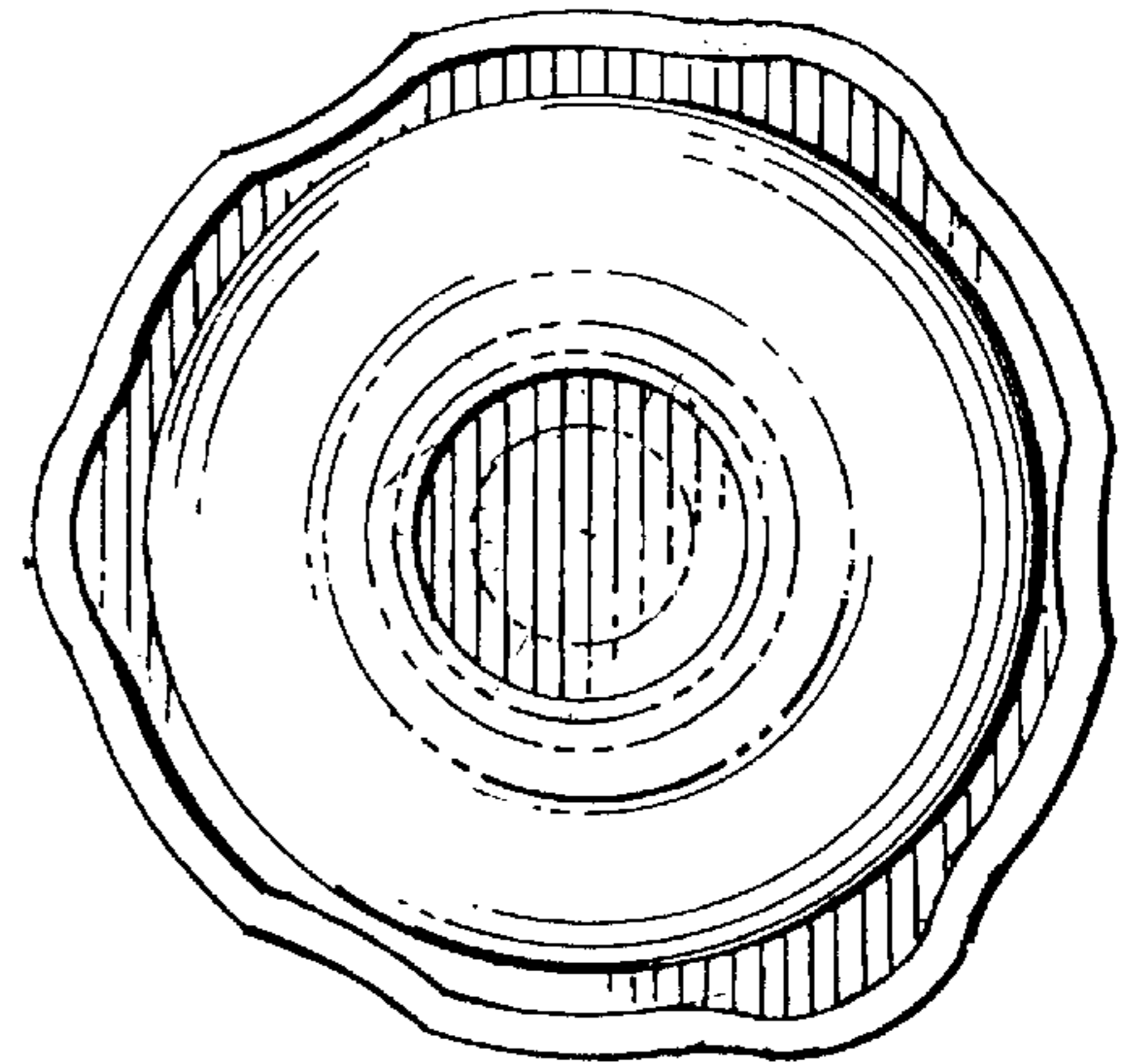


FIG. 2

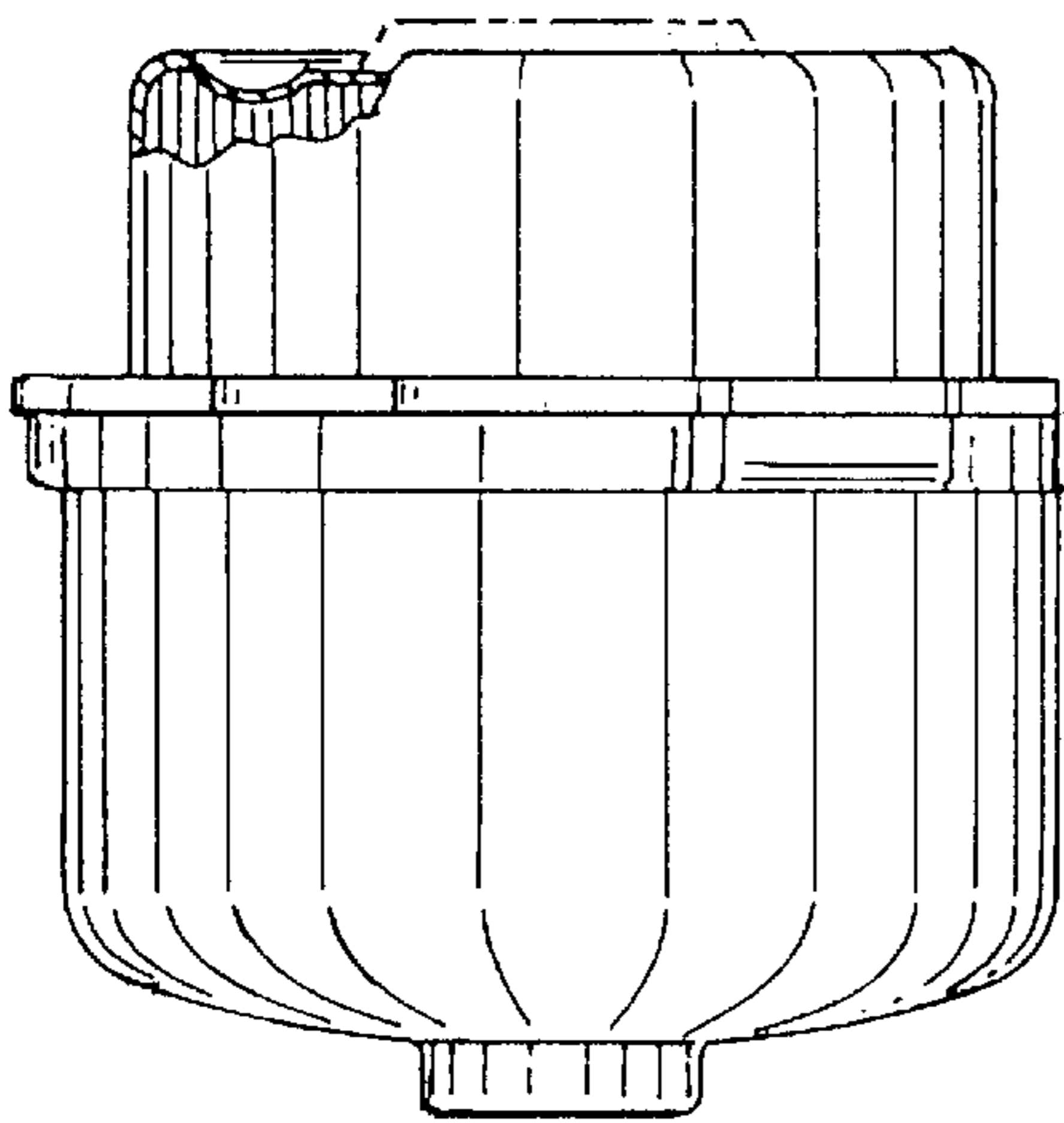


FIG. 3

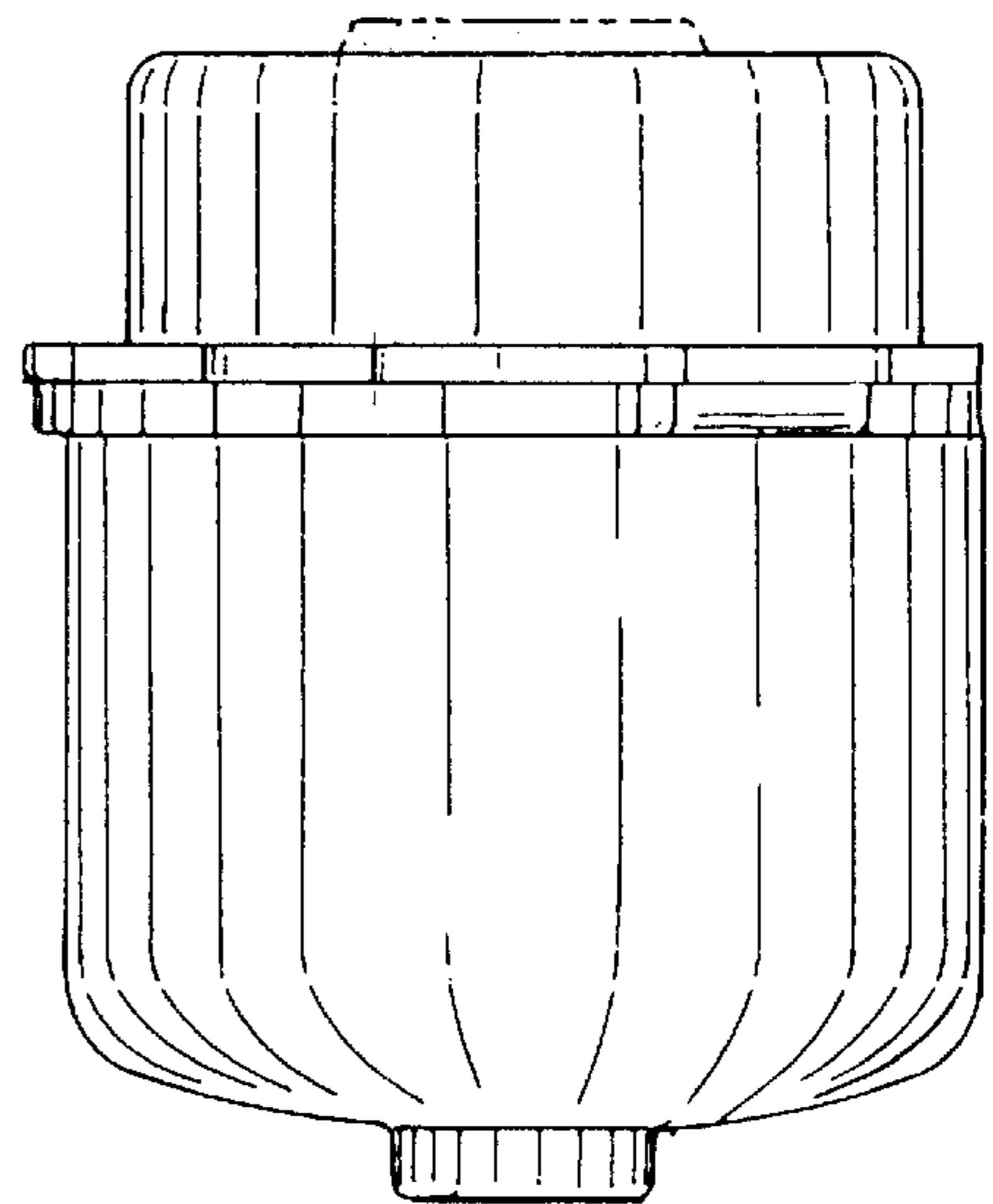


FIG. 4

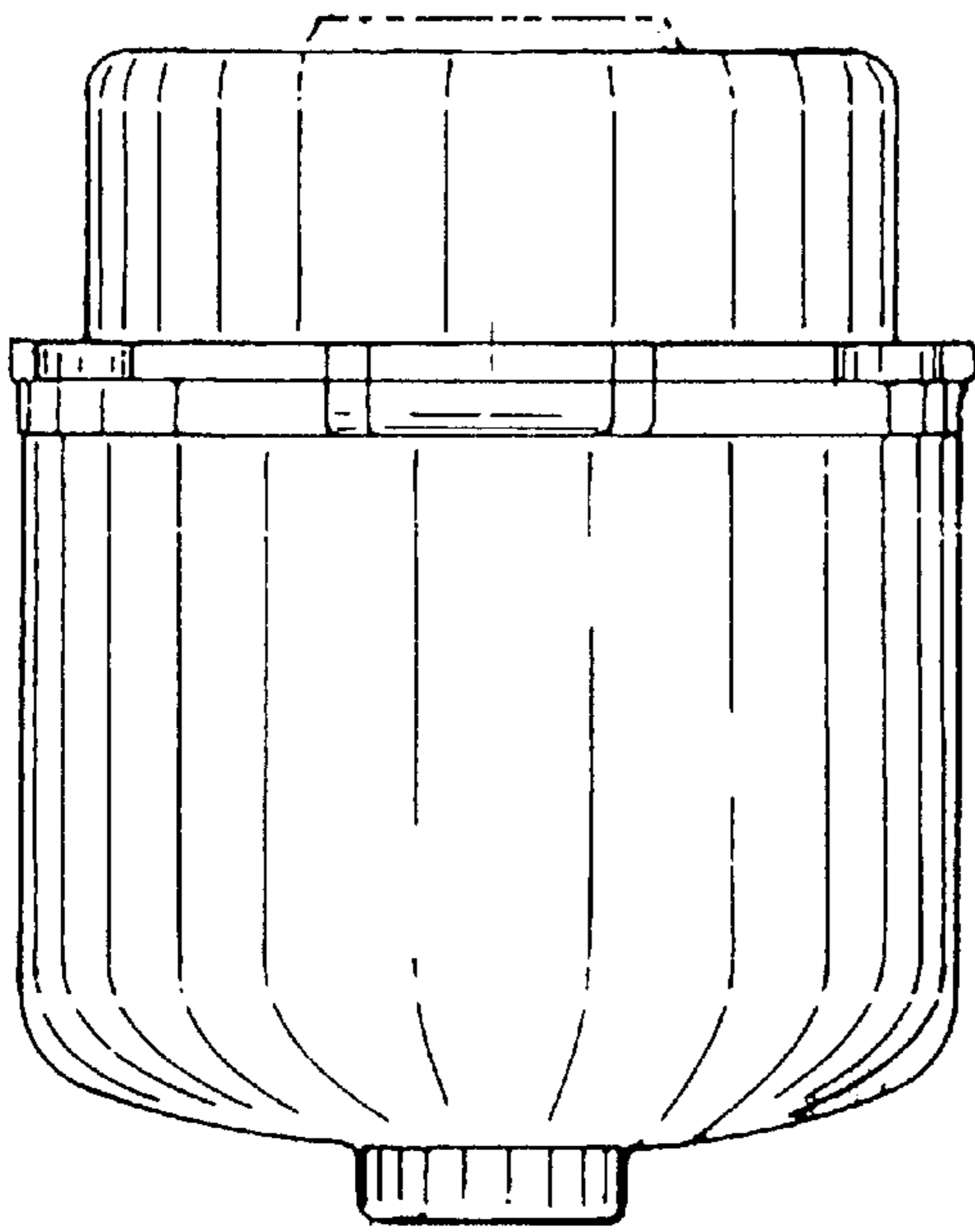


FIG. 5

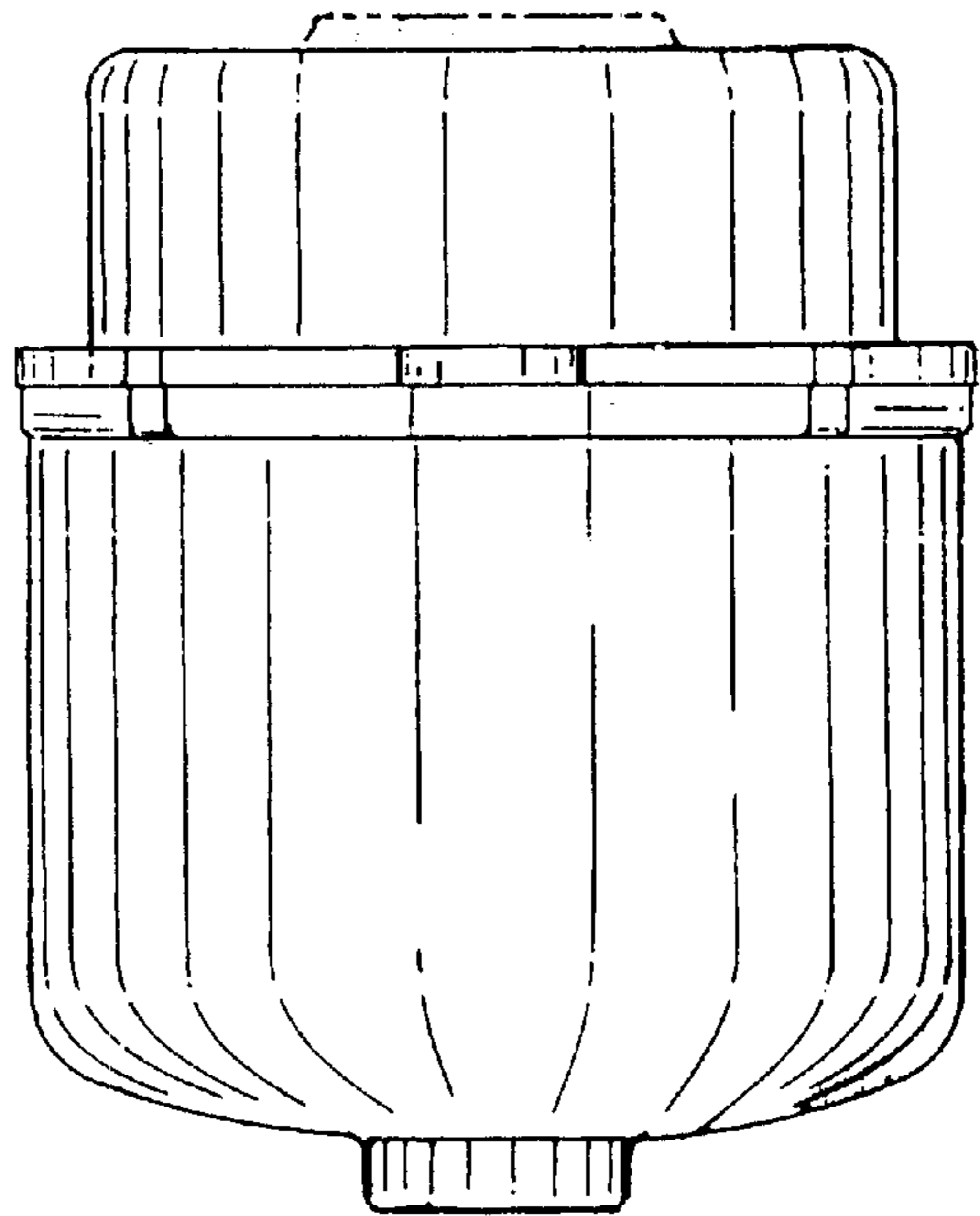


FIG. 6

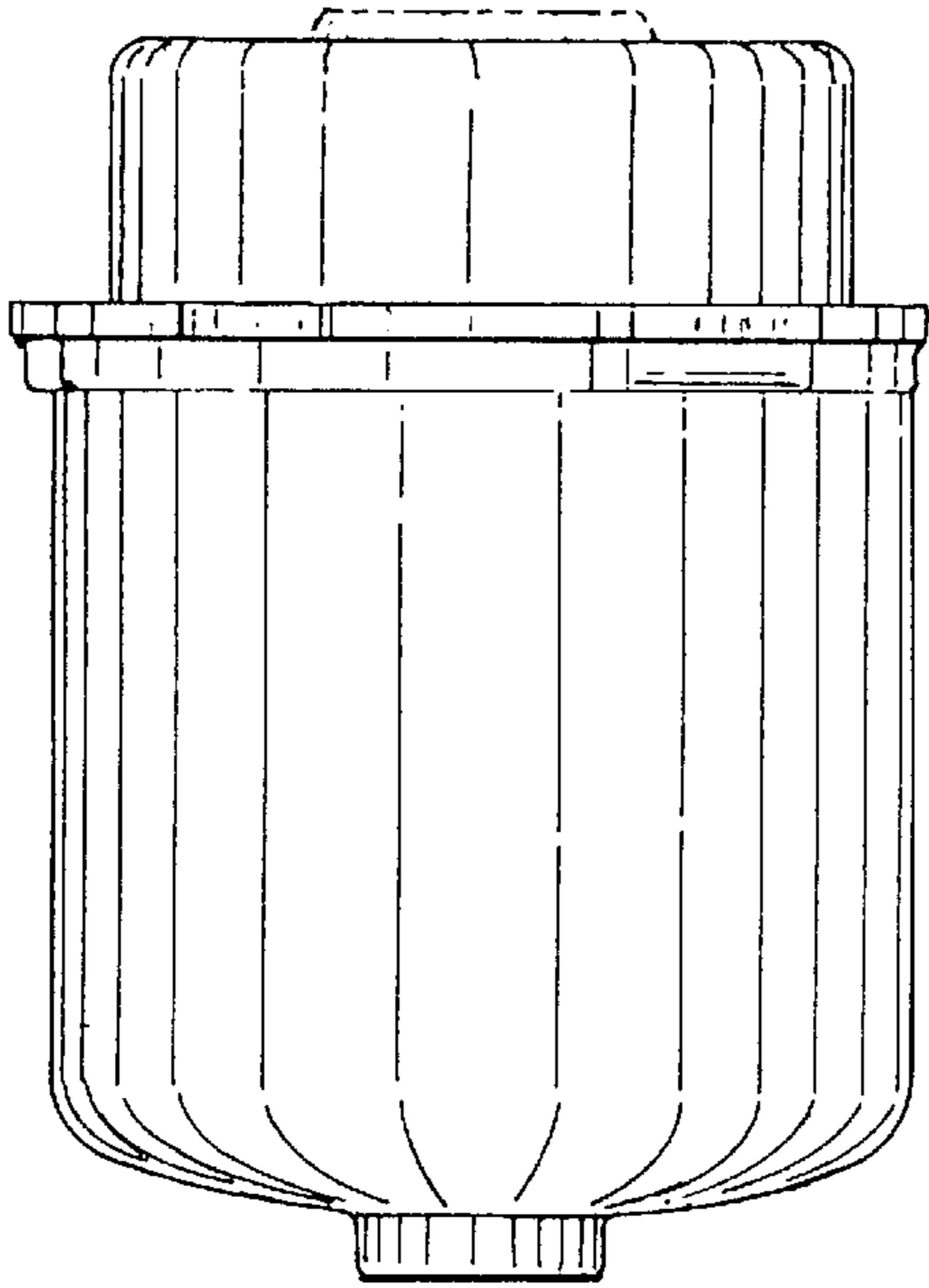


FIG. 7

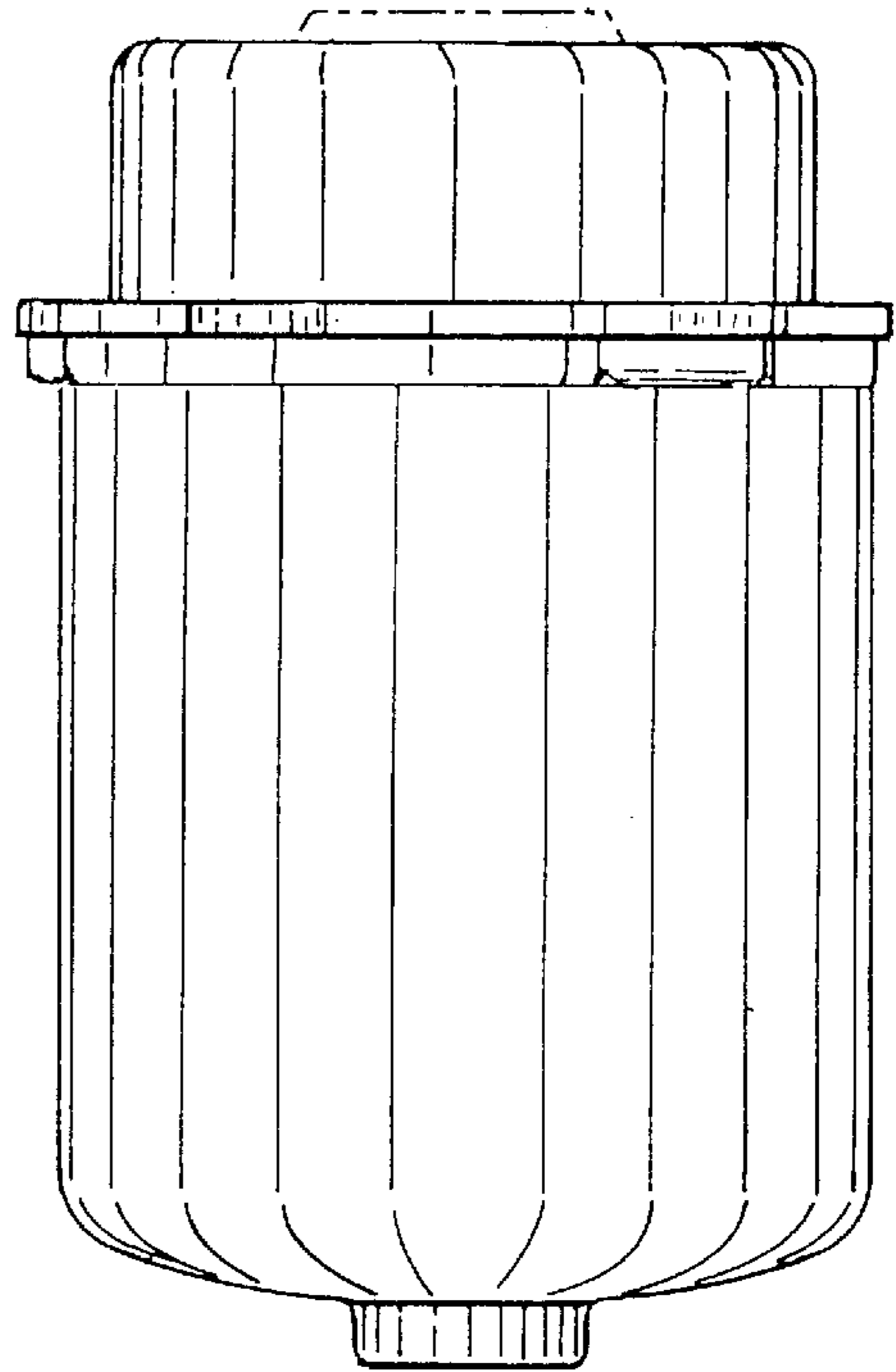


FIG. 8

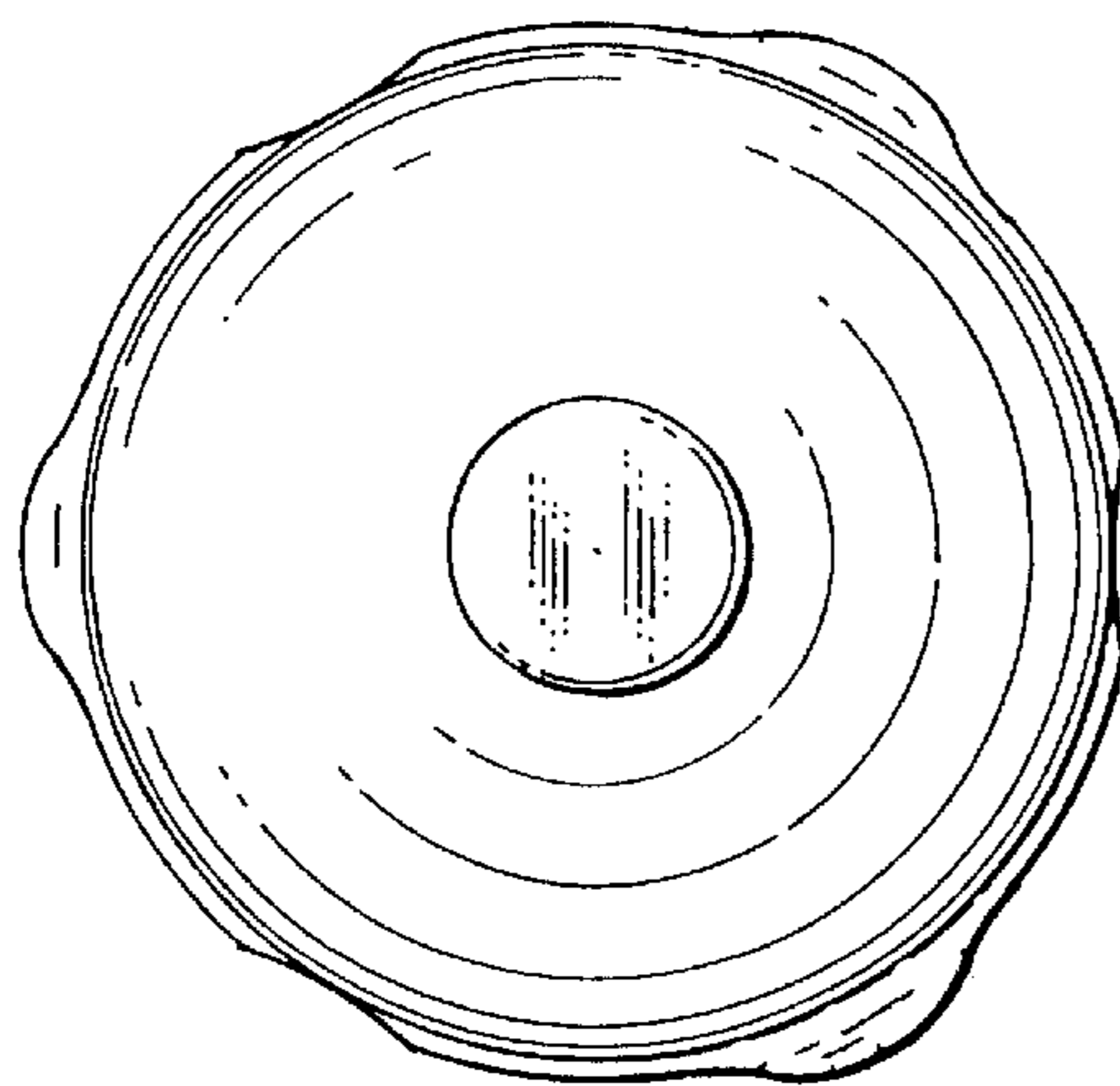


FIG. 9

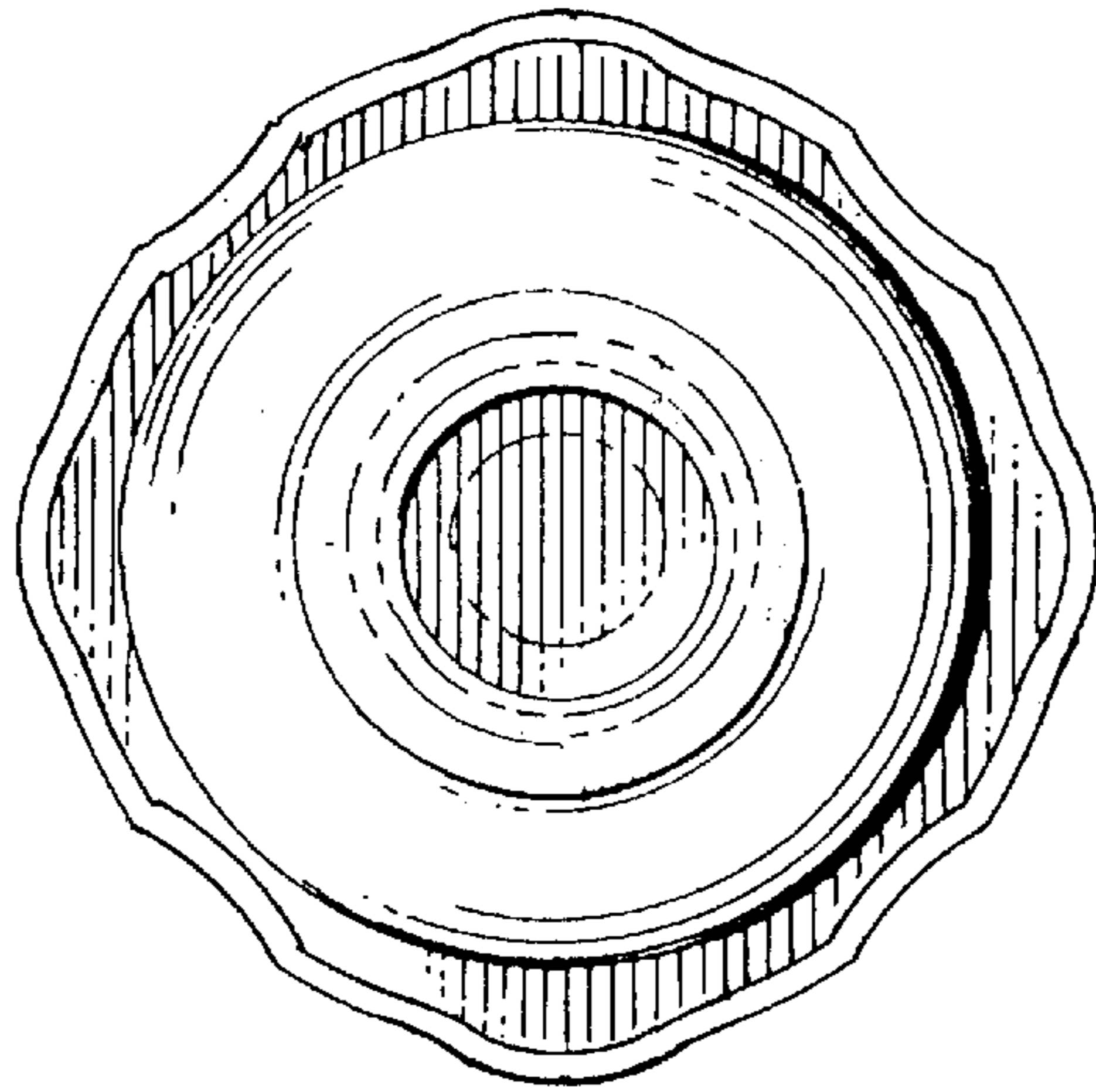


FIG. 10

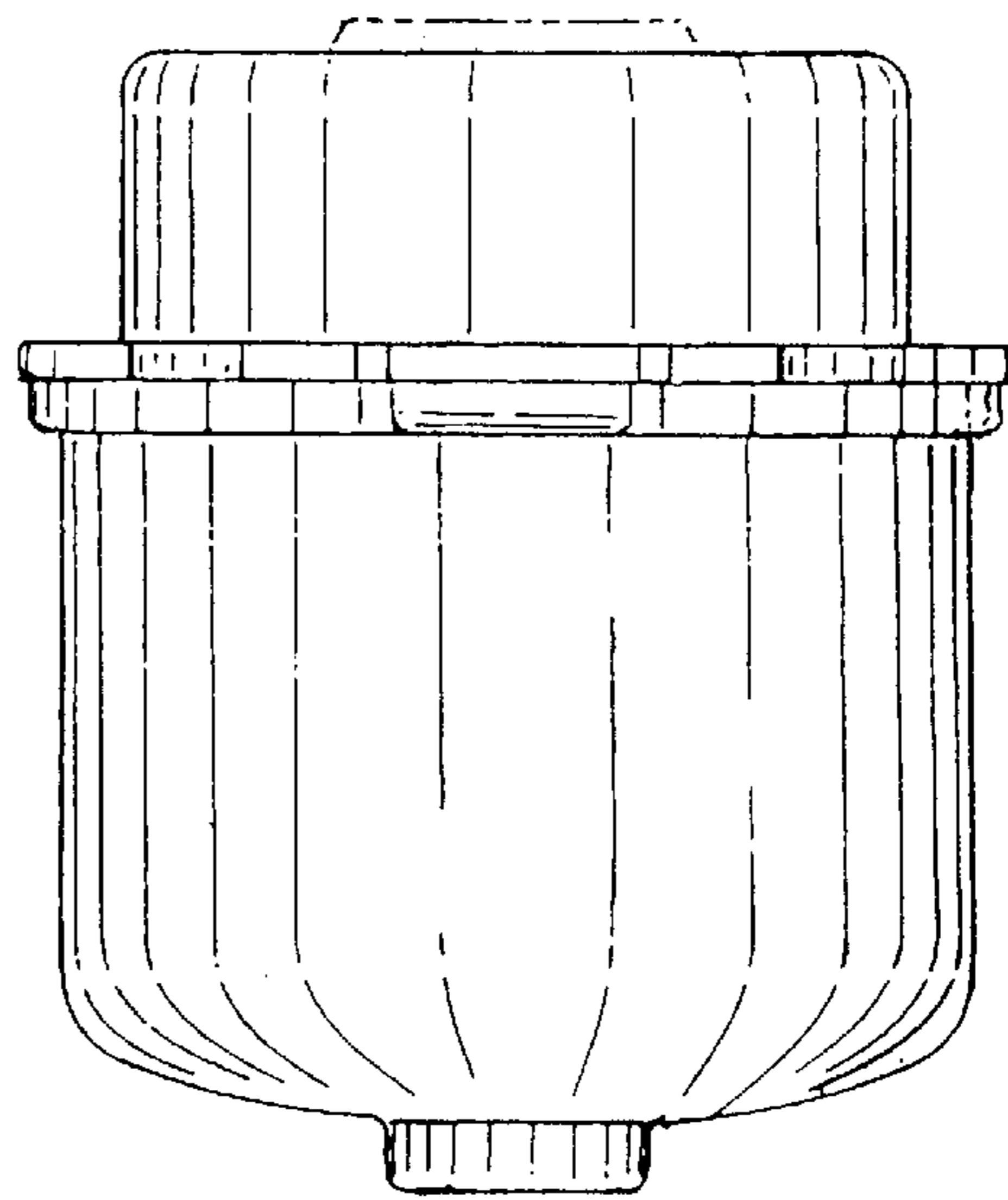


FIG. 11

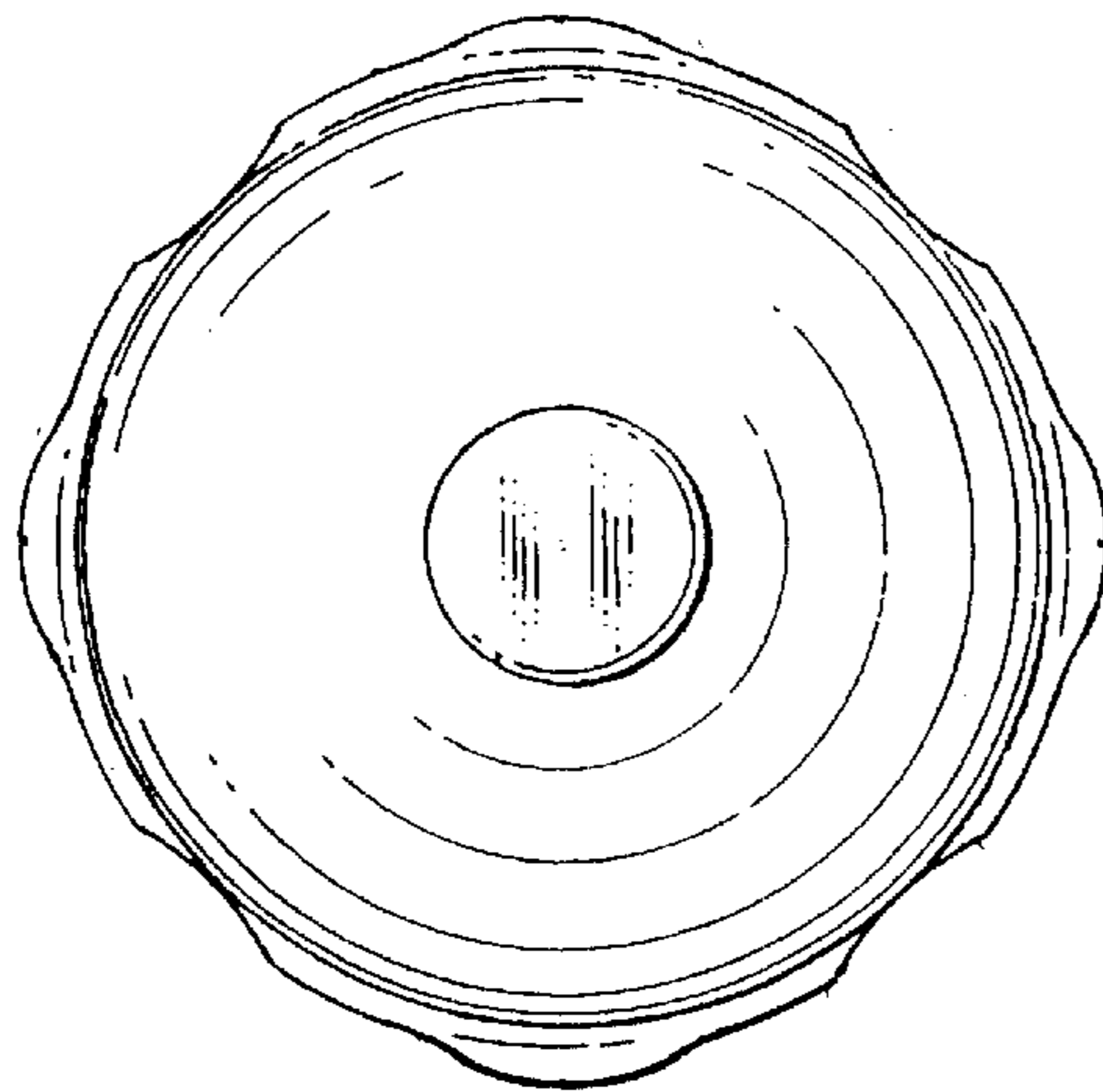


FIG. 12

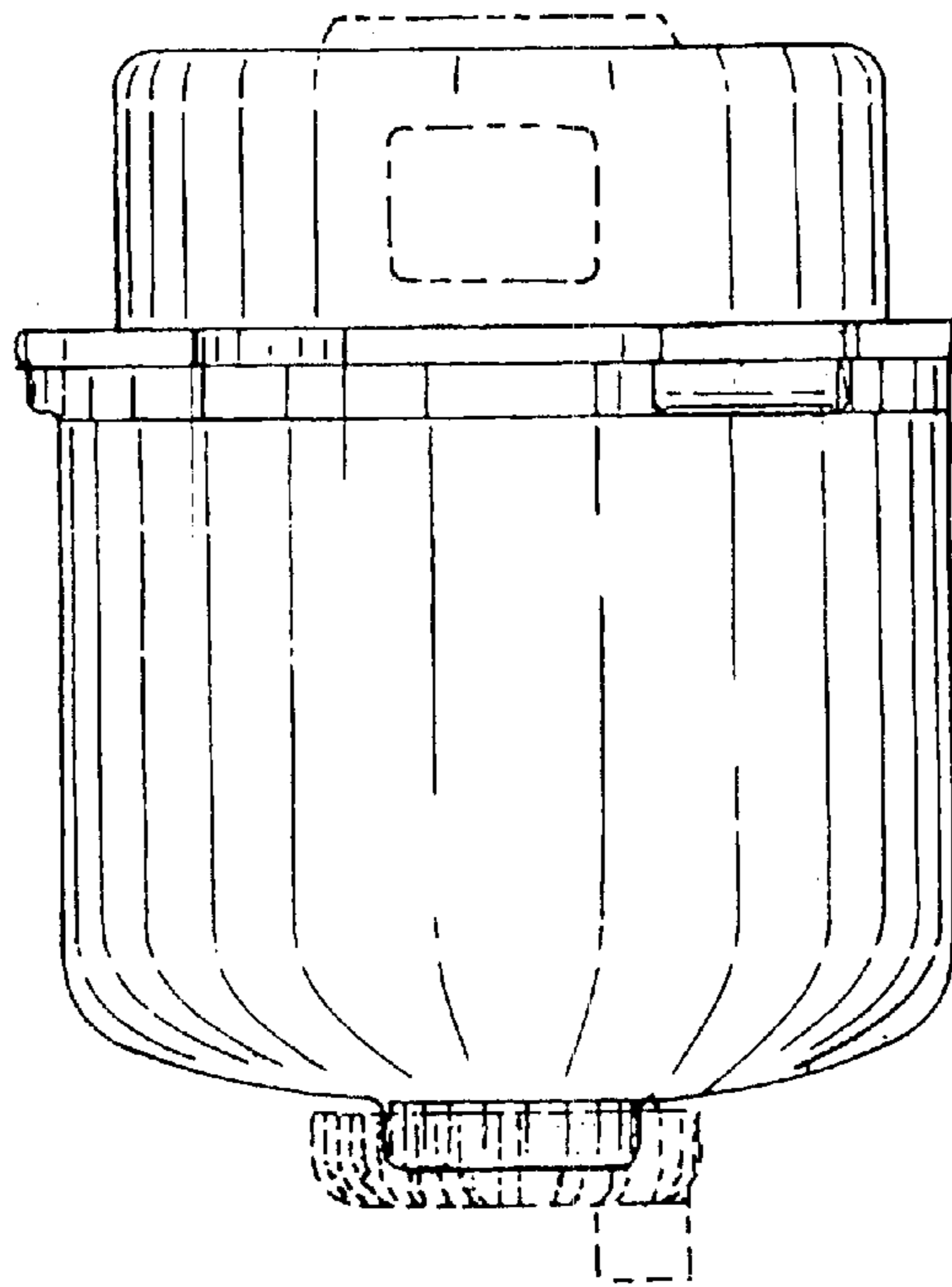


FIG. 13

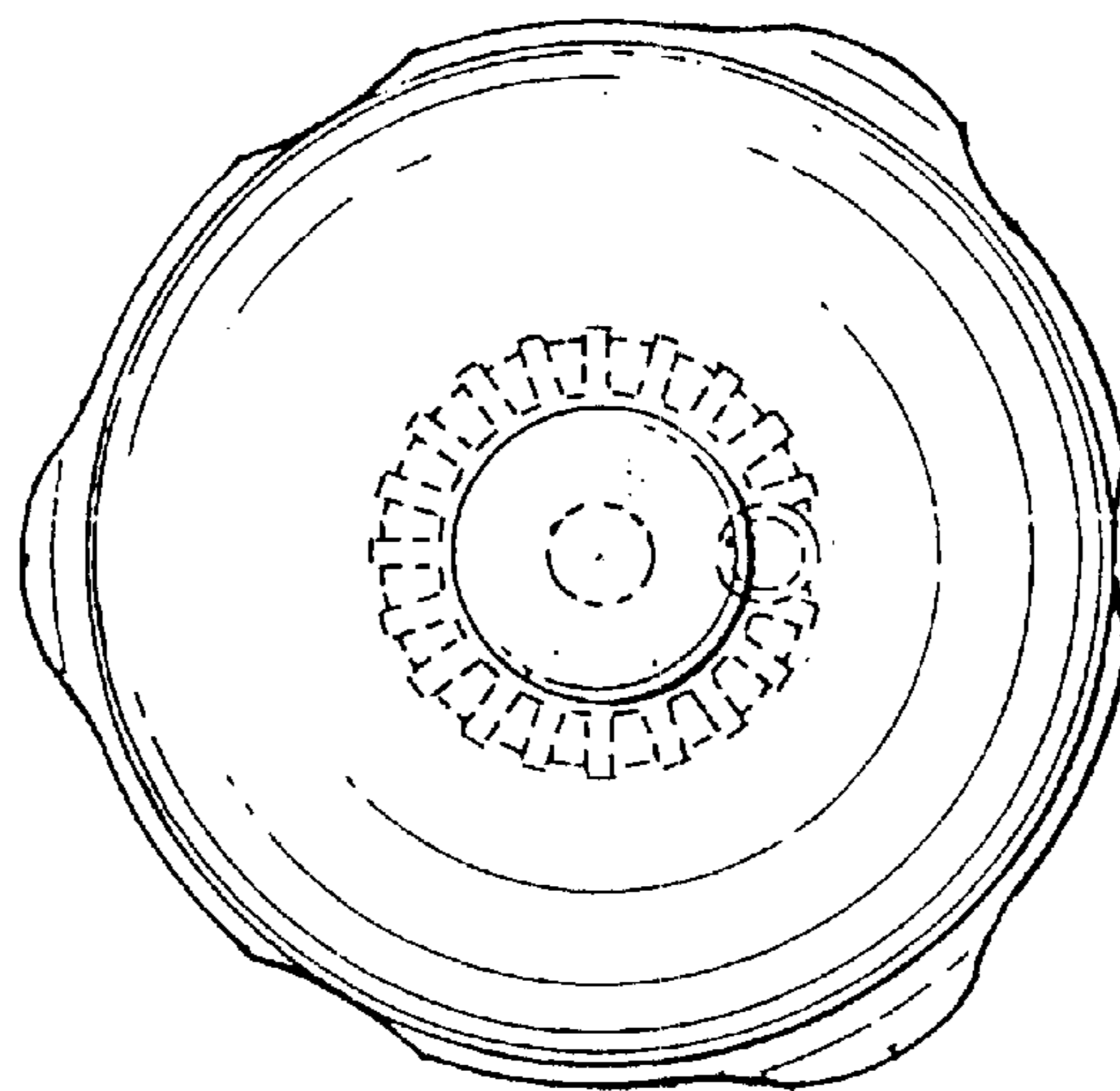


FIG. 14