



US00D479297S

(12) **United States Design Patent**  
**Selvaggio**

(10) **Patent No.:** **US D479,297 S**

(45) **Date of Patent:** **\*\* Sep. 2, 2003**

(54) **LOWER RECEIVER**

(76) Inventor: **Dave Selvaggio**, 10122 W. Belden,  
Melrose Park, IL (US) 60164

(\*\*) Term: **14 Years**

(21) Appl. No.: **29/155,399**

(22) Filed: **Feb. 4, 2002**

(51) **LOC (7) Cl.** ..... **22-01**

(52) **U.S. Cl.** ..... **D22/108**

(58) **Field of Search** ..... D22/100, 103,  
D22/108, 199; D21/573, 574, 575; 42/16,  
114, 117, 118, 101, 75.01, 75.02, 75.03,  
131; 89/128, 198, 199

(56) **References Cited**

**U.S. PATENT DOCUMENTS**

D285,236 S *	8/1986	Brunton	.....	D22/108
4,638,716 A *	1/1987	Goff et al.	.....	89/199
5,452,534 A *	9/1995	Lambie	.....	42/18
5,522,166 A *	6/1996	Martel	.....	42/101
6,212,814 B1 *	4/2001	Lambie	.....	42/75.03
6,293,040 B1 *	9/2001	Luth	.....	89/128 X

\* cited by examiner

*Primary Examiner*—Louis S. Zarfes  
*Assistant Examiner*—Monica A. Weingart  
(74) *Attorney, Agent, or Firm*—Faier & Faier, P.C.

(57) **CLAIM**

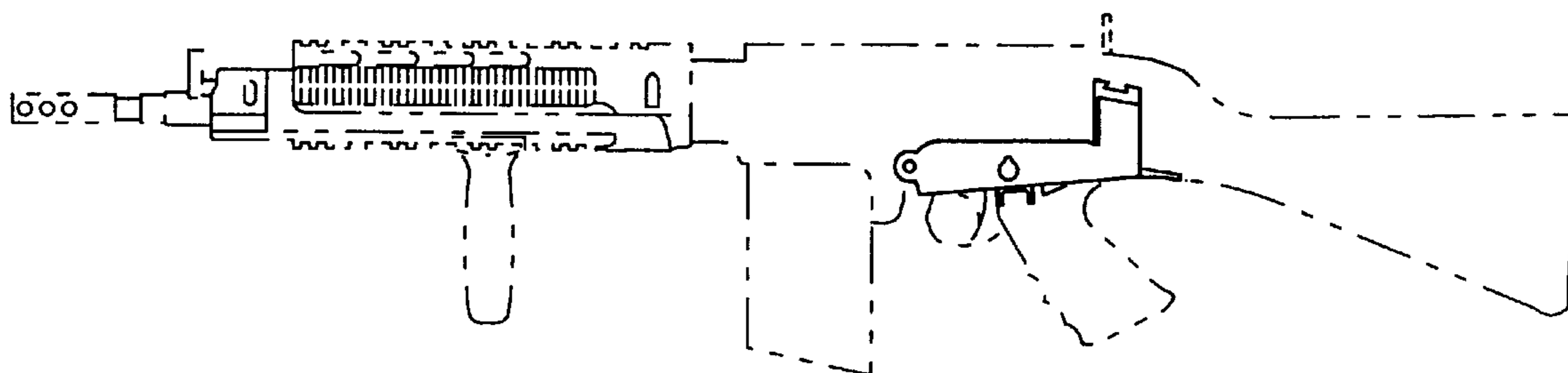
The ornamental design for a lower receiver, as shown and described.

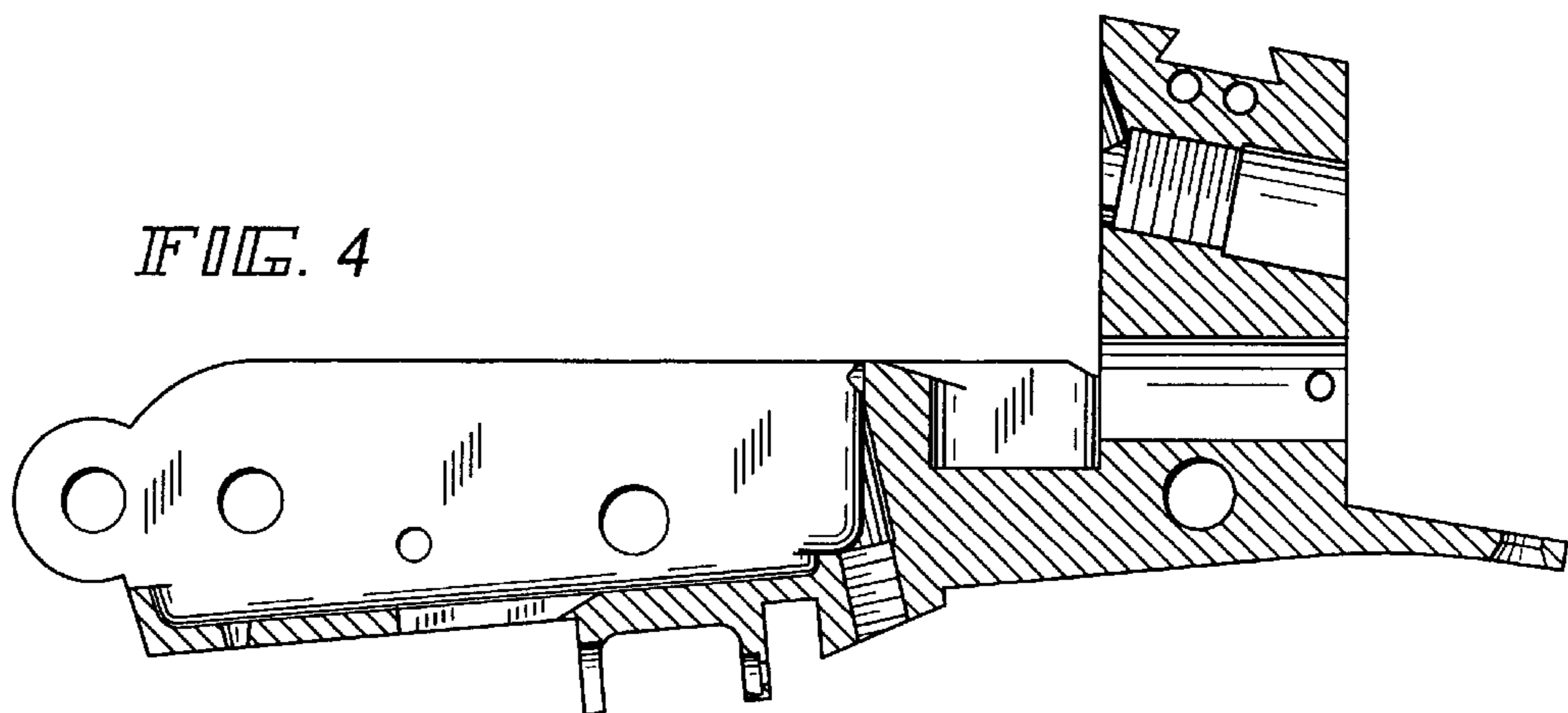
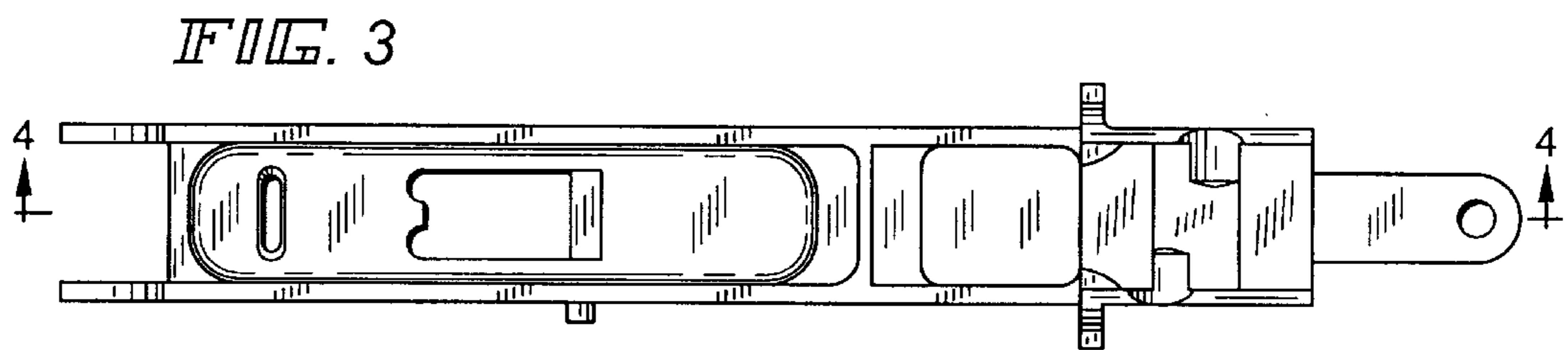
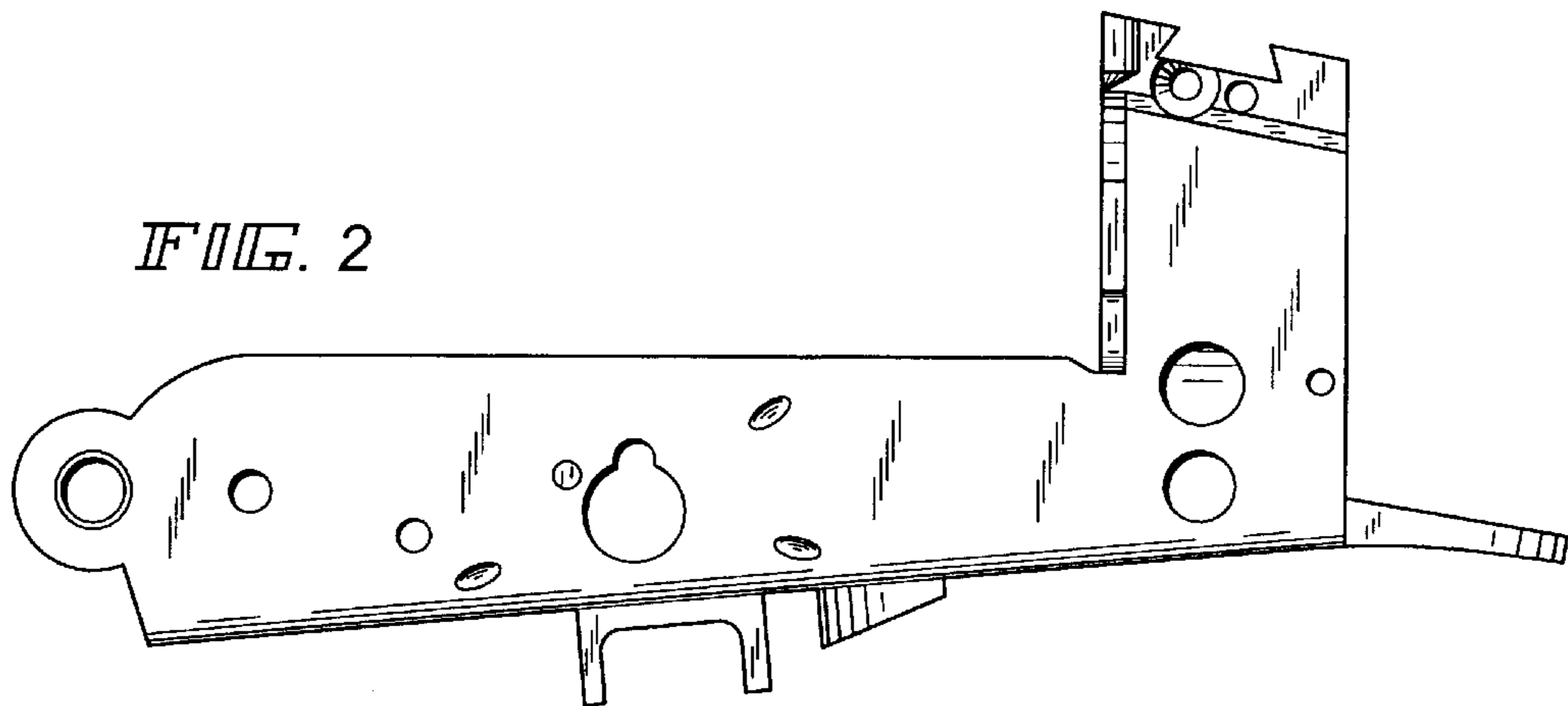
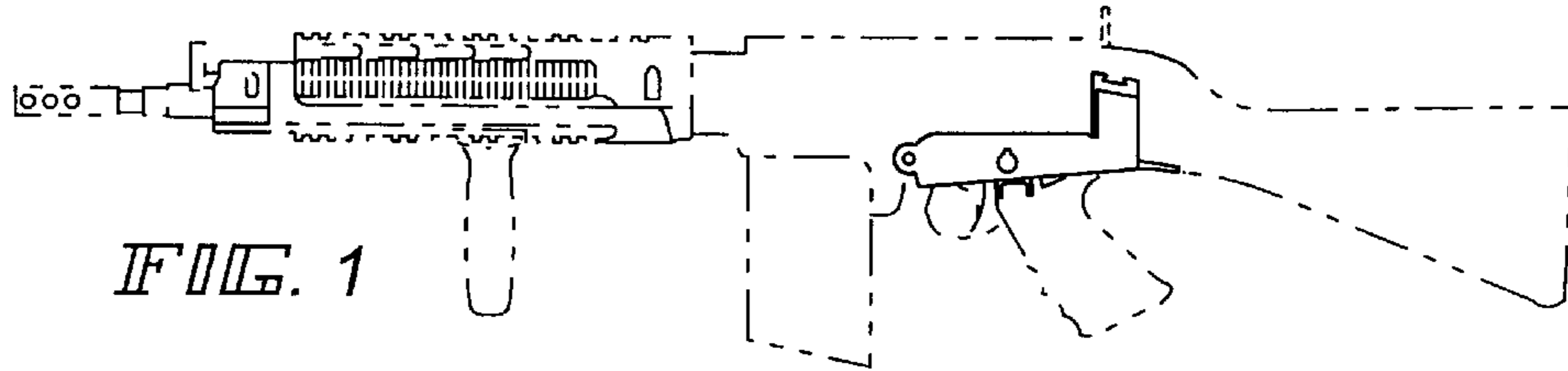
**DESCRIPTION**

FIG. 1 is a left side elevational view of a lower receiver showing my new design;  
FIG. 2 is an additional left side elevational view thereof;  
FIG. 3 is a top plan view thereof;  
FIG. 4 is a sectional view taken along the lines 4—4 in FIG. 3 thereof;  
FIG. 5 is a front elevation view thereof;  
FIG. 6 is a rear elevational view thereof;  
FIG. 7 is a right side elevational view thereof; and,  
FIG. 8 is a bottom plan view thereof.

The broken line showing of a rifle, in FIG. 1, is for illustrative purposes only and forms no part of the claimed design.

**1 Claim, 2 Drawing Sheets**





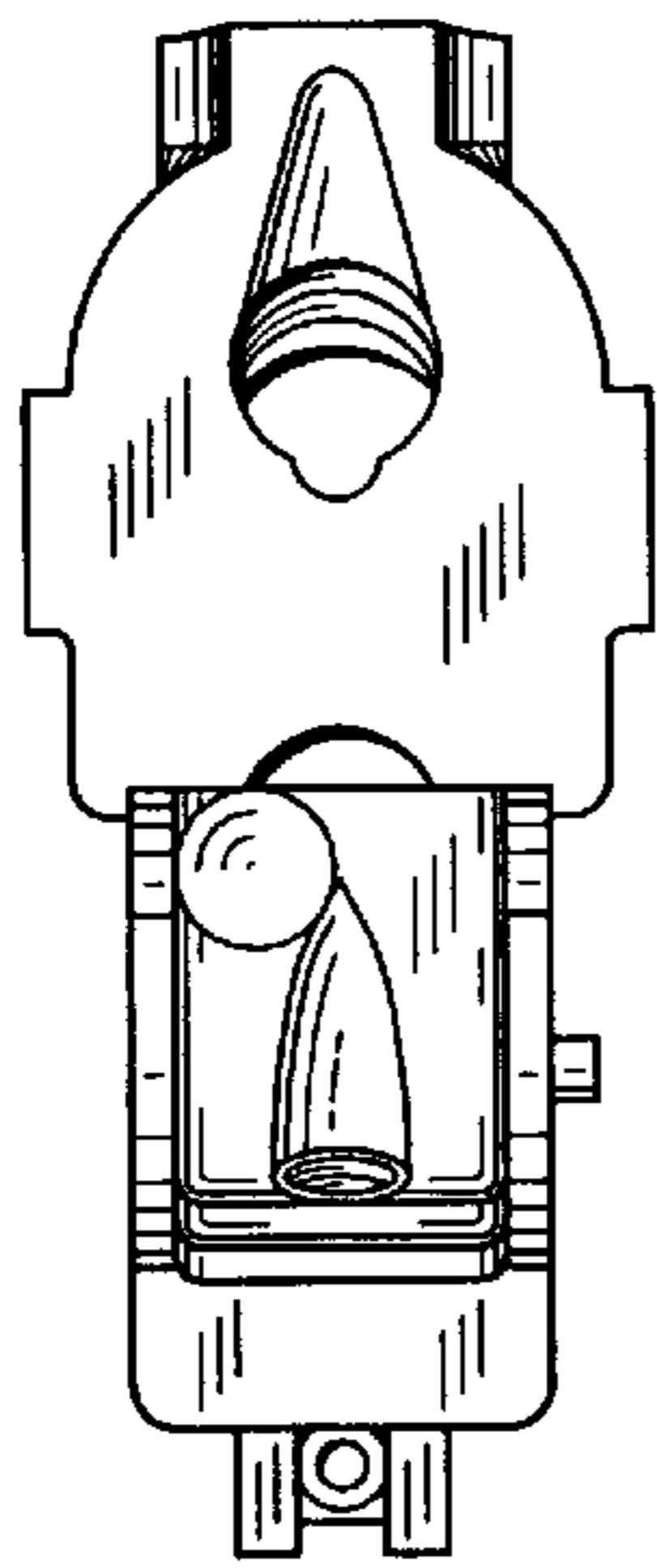


FIG. 5

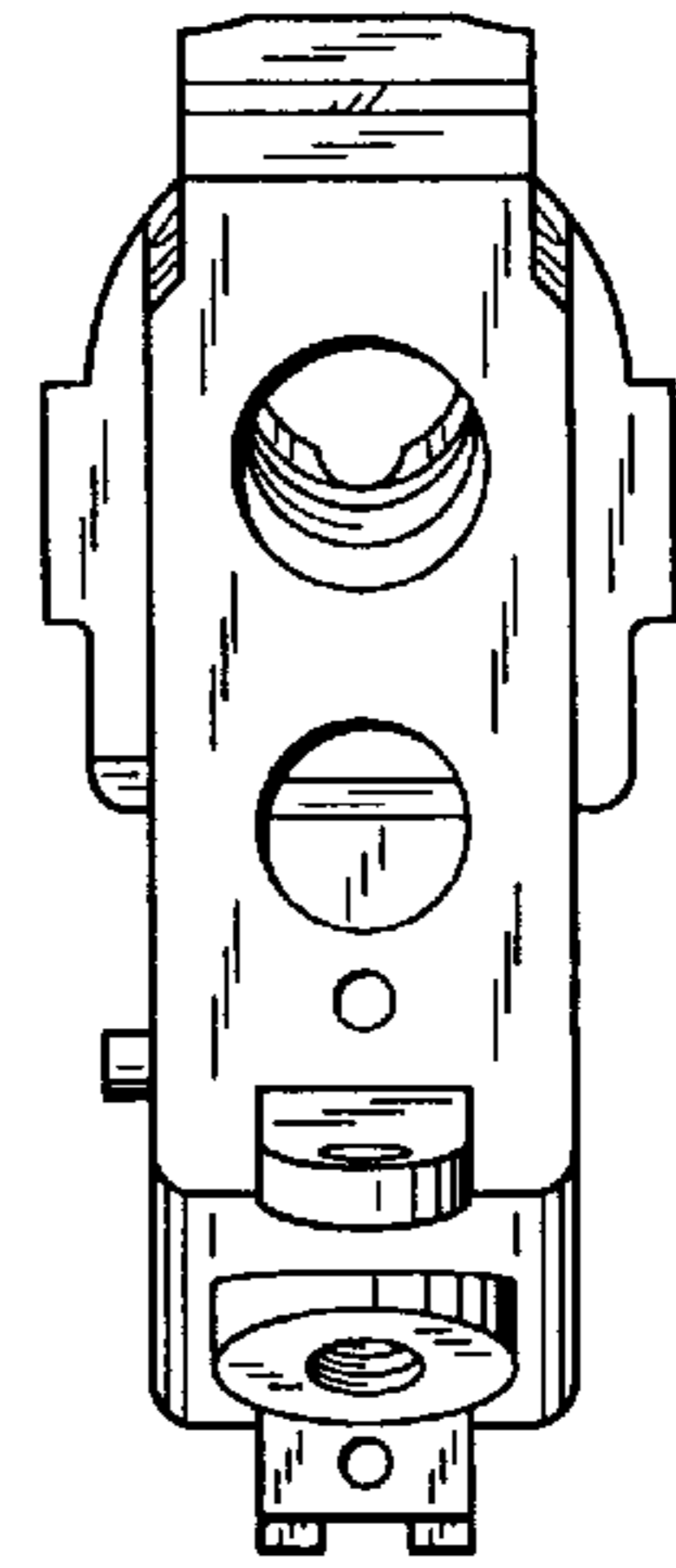


FIG. 6

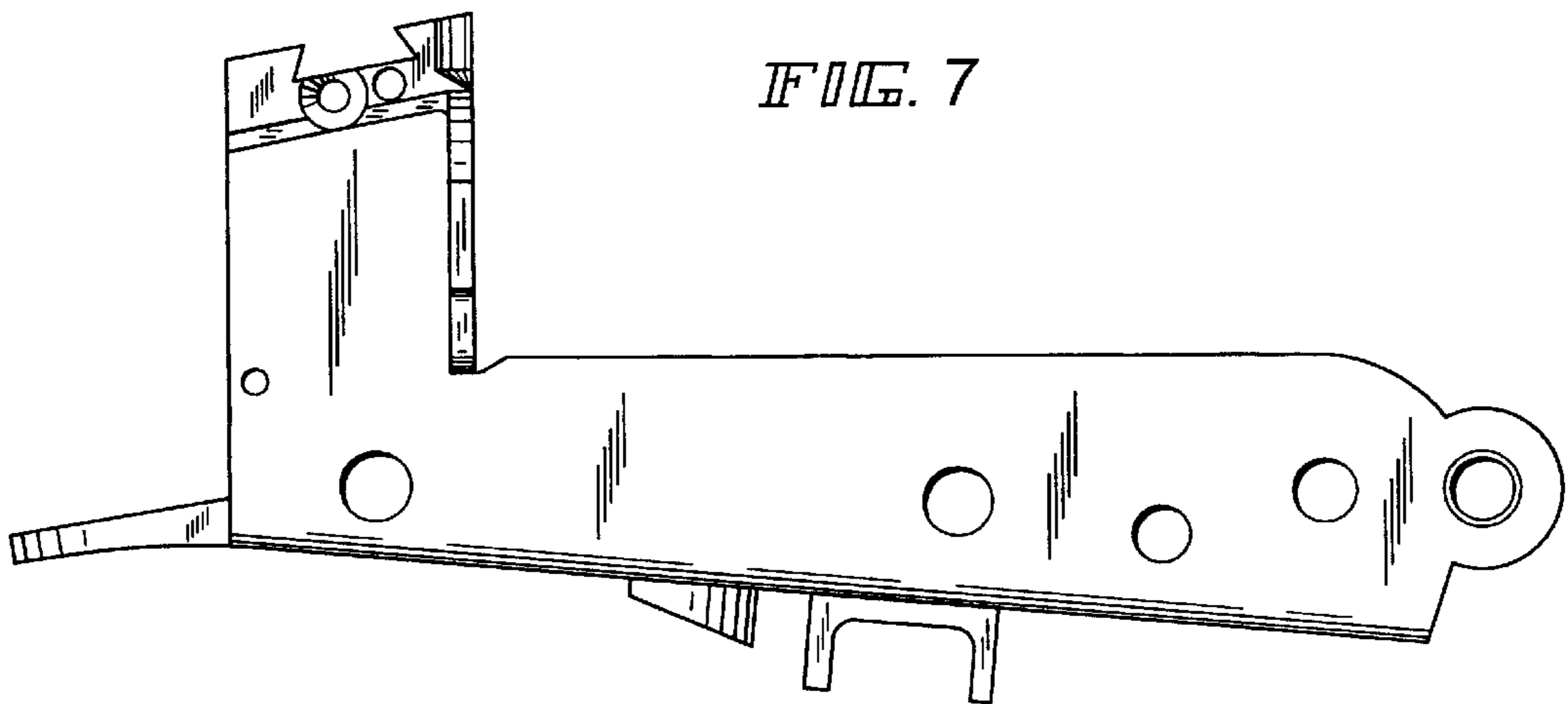


FIG. 7

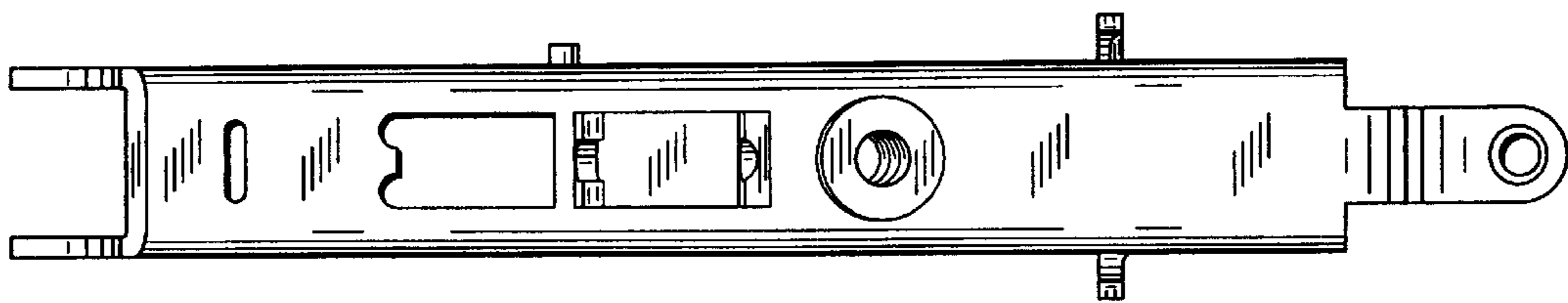


FIG. 8