



US00D479294S

(12) **United States Design Patent** (10) **Patent No.:** **US D479,294 S**  
**Evans et al.** (45) **Date of Patent:** **\*\* Sep. 2, 2003**

(54) **GOLF CLUB HEAD**  
 (75) Inventors: **D. Clayton Evans**, San Marcos, CA (US); **Luke R. Williams**, La Jolla, CA (US); **Roger Cleveland**, Los Angeles, CA (US); **Augustin W. Rollinson**, Carlsbad, CA (US)

(73) Assignee: **Callaway Golf Company**, Carlsbad, CA (US)

(\*\*) Term: **14 Years**

(21) Appl. No.: **29/157,269**

(22) Filed: **Mar. 14, 2002**

(51) **LOC (7) Cl.** ..... **21-02**

(52) **U.S. Cl.** ..... **D21/759**

(58) **Field of Search** ..... D21/733, 752, D21/759; 473/324, 329-331, 343-346

(56) **References Cited**

**U.S. PATENT DOCUMENTS**

1,167,387 A	1/1916	Daniel
1,638,916 A	8/1927	Butchart
1,780,625 A	11/1930	Mattern
2,750,194 A	6/1956	Clark
3,692,306 A	9/1972	Glover
3,897,066 A	7/1975	Belmont
3,937,474 A	2/1976	Jepson et al.
3,970,236 A	7/1976	Rogers
3,975,023 A	8/1976	Inamori
3,989,248 A	11/1976	Campau
4,021,047 A	5/1977	Mader
4,398,965 A	8/1983	Campau
4,568,088 A	2/1986	Kurahashi
4,872,685 A	10/1989	Sun
4,877,249 A	10/1989	Thompson
5,024,437 A	6/1991	Anderson
5,094,383 A	3/1992	Anderson
5,106,094 A	4/1992	Desboilles et al.
5,193,811 A	3/1993	Okumoto et al.
5,255,918 A	10/1993	Anderson
5,261,663 A	11/1993	Anderson
5,261,664 A	11/1993	Anderson

5,282,624 A	2/1994	Viste	
D344,772 S	*	3/1994	Long et al. .... D21/752
5,310,185 A	5/1994	Viollez et al.	
5,344,340 A	9/1994	Anderson et al.	
5,346,216 A	9/1994	Aizawa	
D354,784 S	*	1/1995	Long et al. .... D21/752
5,377,986 A	1/1995	Viollaz et al.	
5,398,935 A	3/1995	Katayamo	
5,410,798 A	5/1995	Lo	
5,425,538 A	6/1995	Vincent et al.	
5,464,210 A	11/1995	Davis et al.	
5,474,296 A	12/1995	Schmidt et al.	
5,499,814 A	3/1996	Lu	
5,516,107 A	5/1996	Okumoto et al.	
5,547,427 A	8/1996	Rigal et al.	
5,570,886 A	11/1996	Rigal et al.	

(List continued on next page.)

**OTHER PUBLICATIONS**

Golf Digest, Dec. 1978.  
 Golf Digest, Jun. 1981.

*Primary Examiner*—Mitchell Siegel  
 (74) *Attorney, Agent, or Firm*—Michael A. Catania

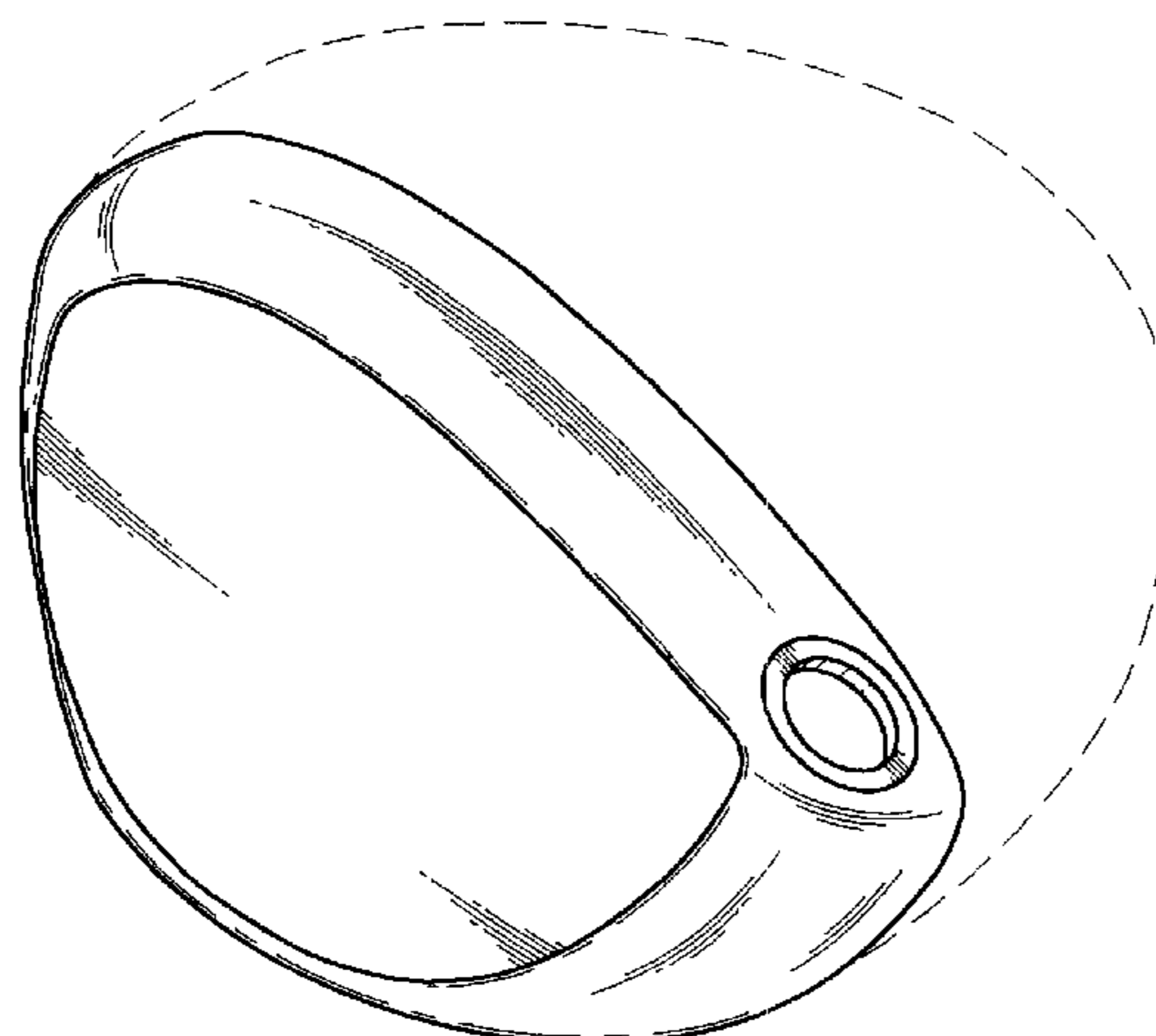
(57) **CLAIM**

The ornamental design for a golf club head, as shown and described.

**DESCRIPTION**

FIG. 1 is a front perspective view of the golf club head as claimed herein;  
 FIG. 2 is a rear perspective view of the golf club head thereof;  
 FIG. 3 is a front plan view thereof;  
 FIG. 4 is a back plan view thereof;  
 FIG. 5 is a top plan view thereof;  
 FIG. 6 is a bottom plan view thereof;  
 FIG. 7 is a toe plan view thereof; and,  
 FIG. 8 is a heel plan view thereof.  
 The broken line showing is for illustrative purposes only and forms no part of the claimed design.

**1 Claim, 3 Drawing Sheets**



# US D479,294 S

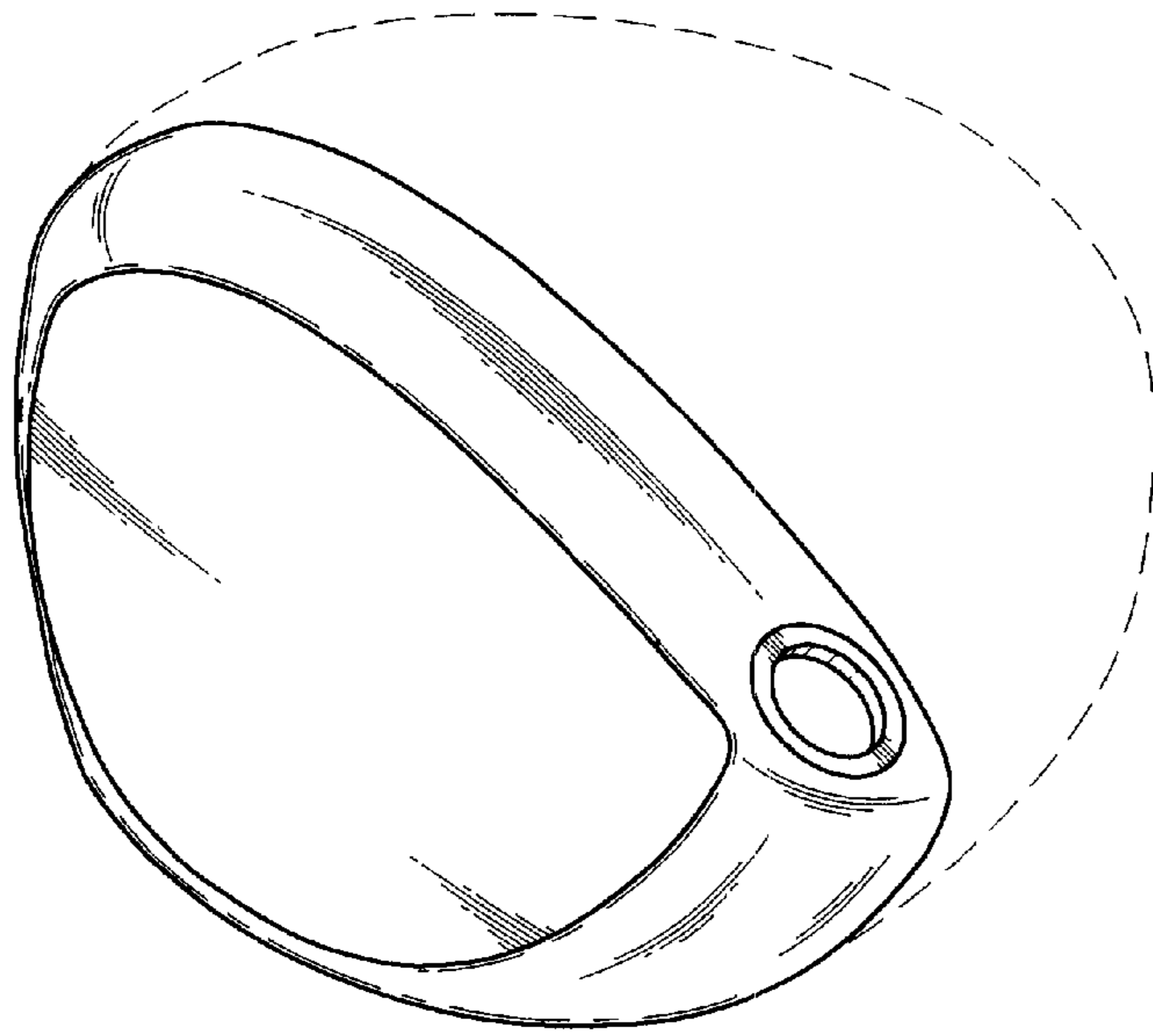
Page 2

---

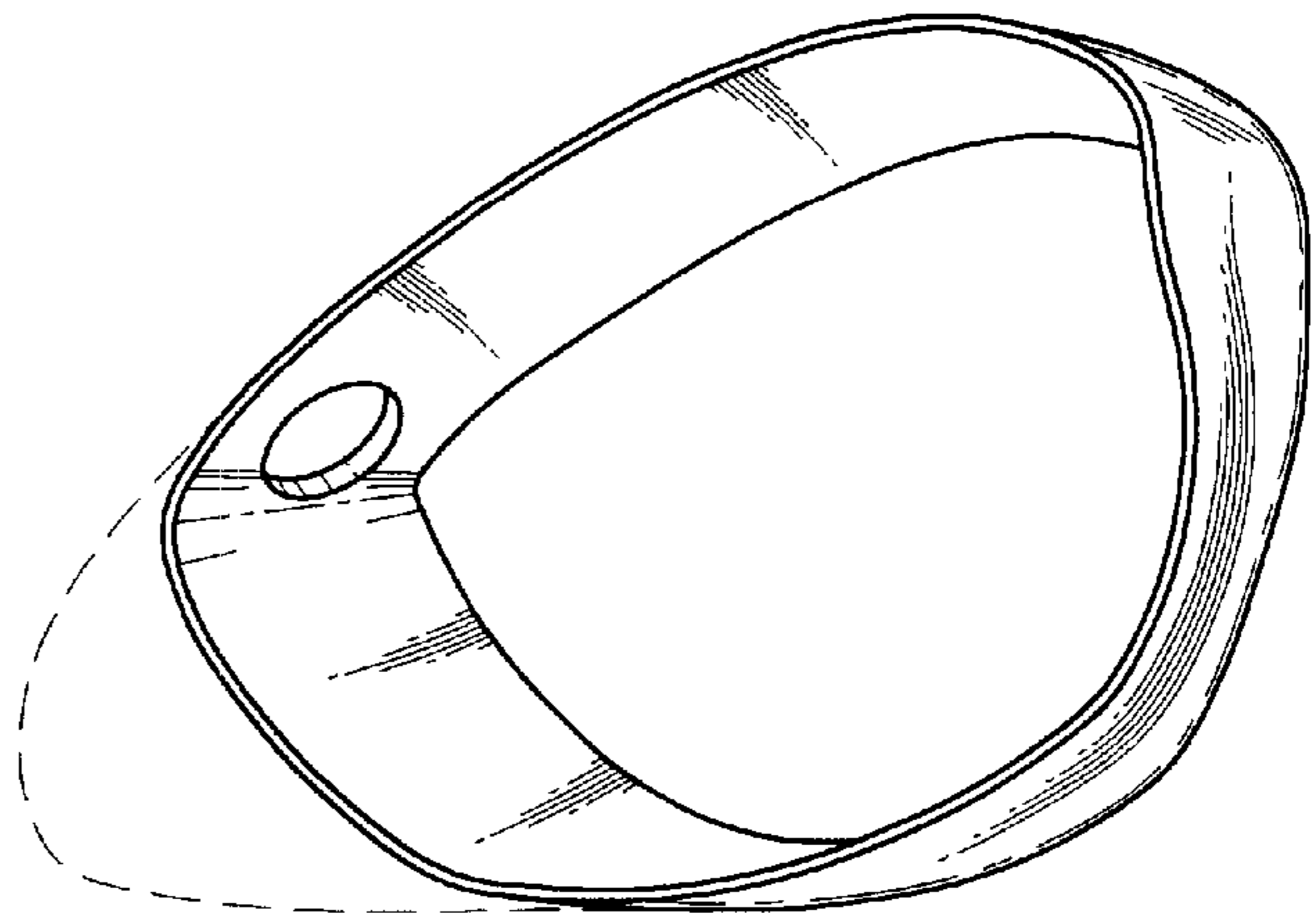
## U.S. PATENT DOCUMENTS

5,624,331 A	4/1997	Lo et al.	6,149,534 A	11/2000	Peters et al.
5,743,813 A	4/1998	Chen et al.	6,152,833 A	11/2000	Werner et al.
5,776,011 A	7/1998	Su et al.	6,165,081 A	12/2000	Chou
5,830,084 A	11/1998	Kosmatka	D438,583 S *	3/2001	O'Doherty et al. .... D21/733
5,863,261 A	1/1999	Eggiman	D441,819 S *	5/2001	Helmstetter et al. .... D21/733
5,888,148 A	3/1999	Allen	6,310,185 B1	10/2001	Wallace et al.
6,048,278 A	4/2000	Meyer et al.	D457,212 S *	5/2002	Yamane et al. .... D21/752
6,146,571 A	11/2000	Vincent et al.			

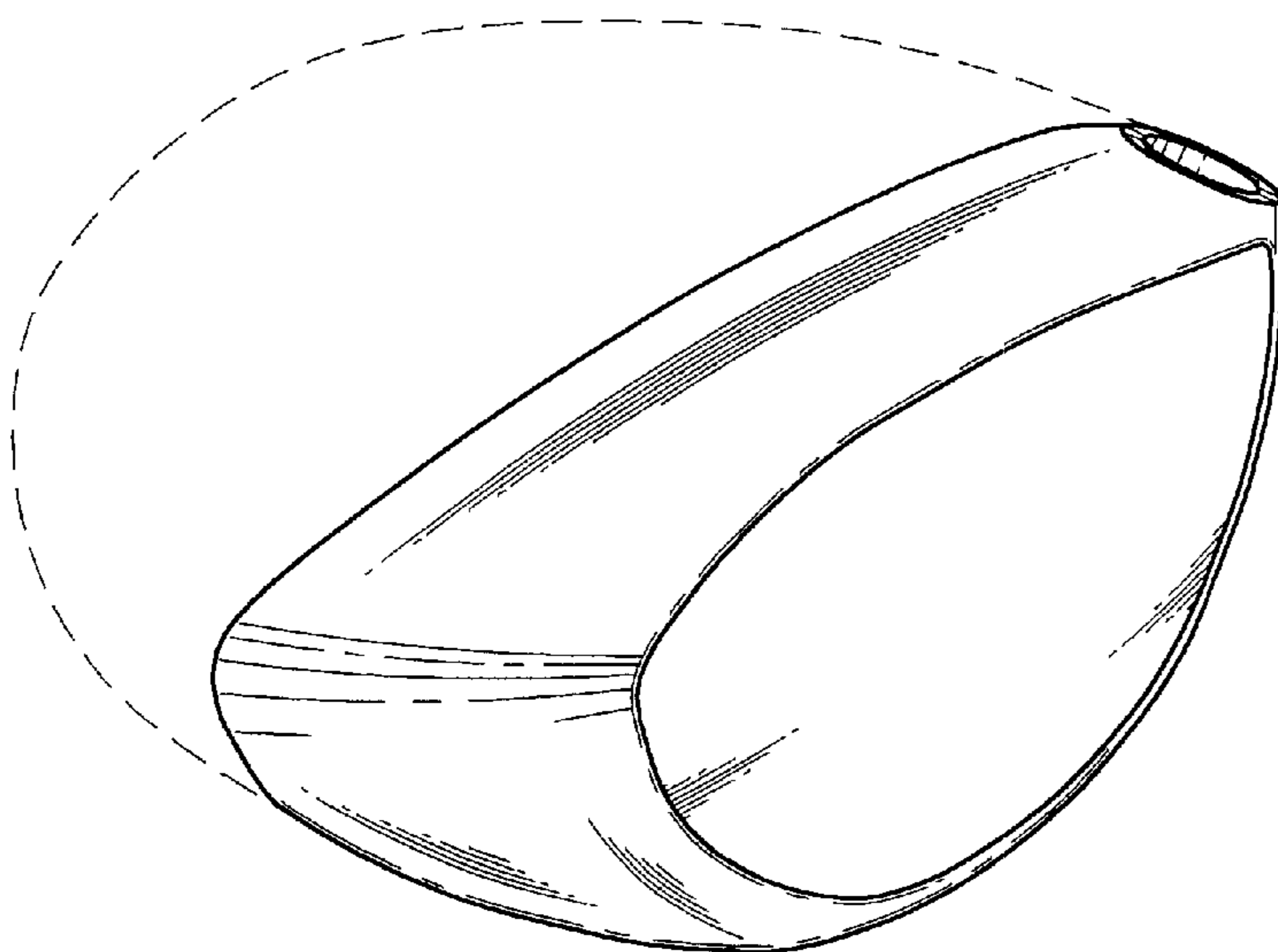
\* cited by examiner



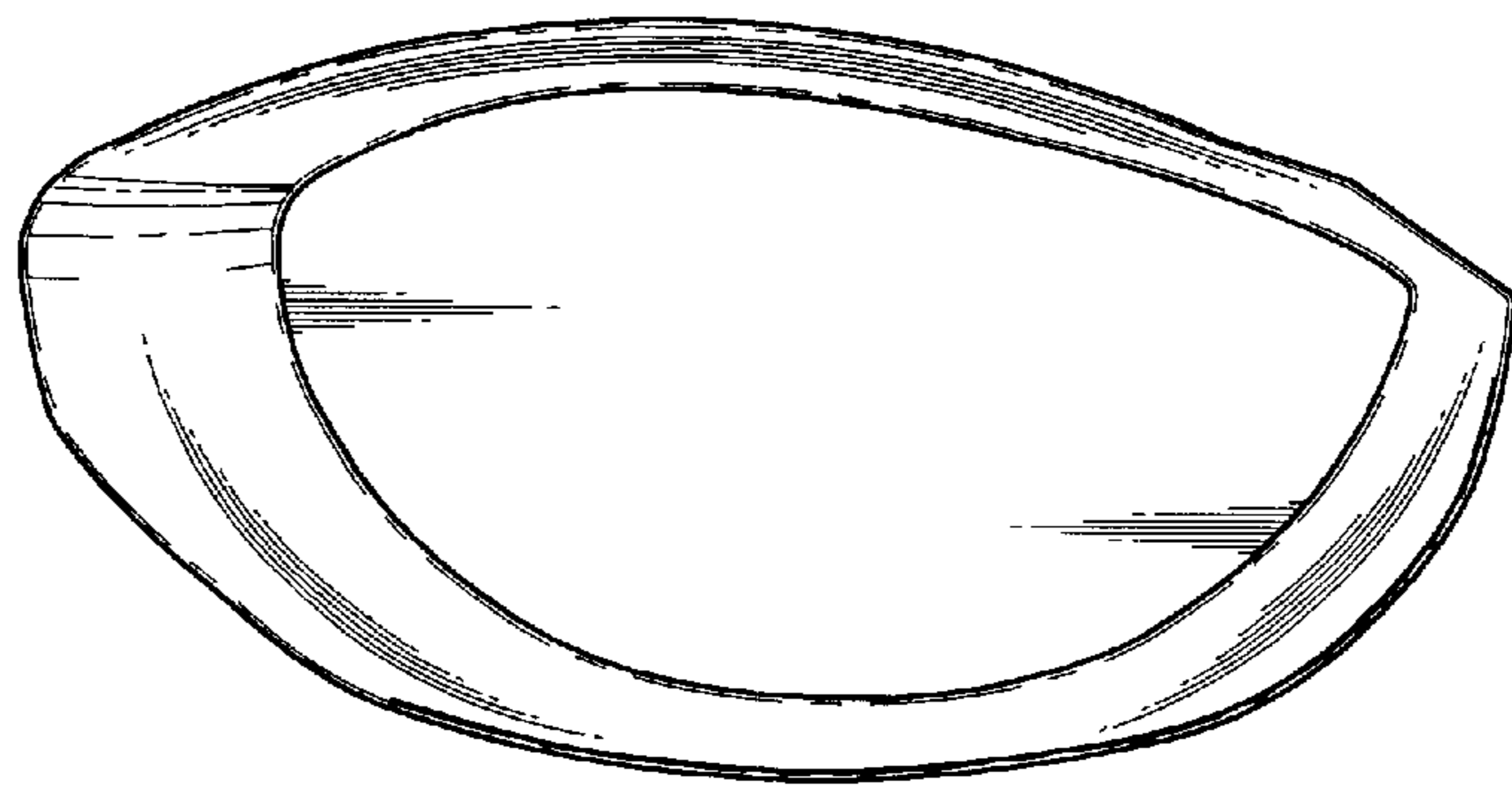
*FIG. 1*



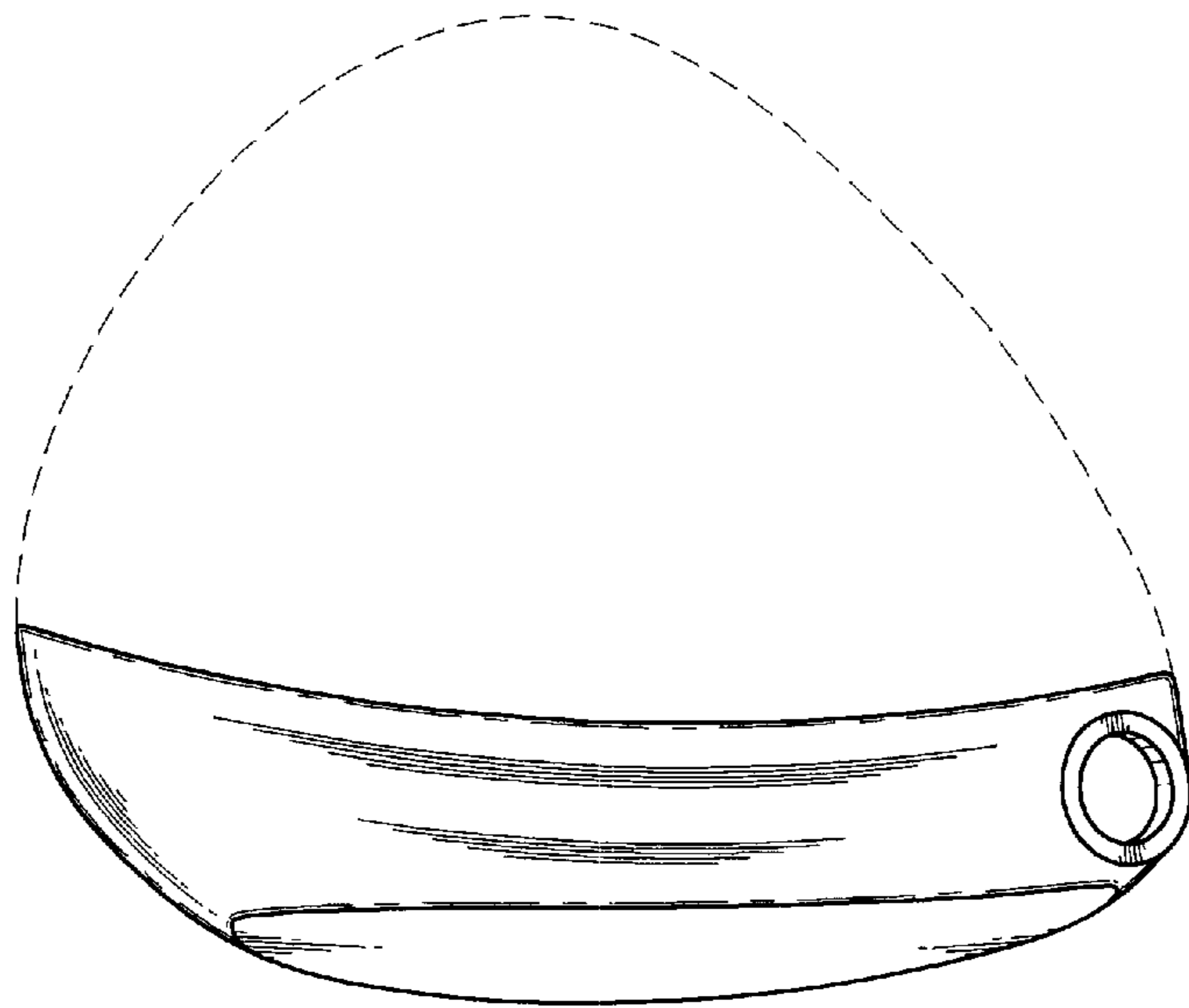
*FIG. 2*



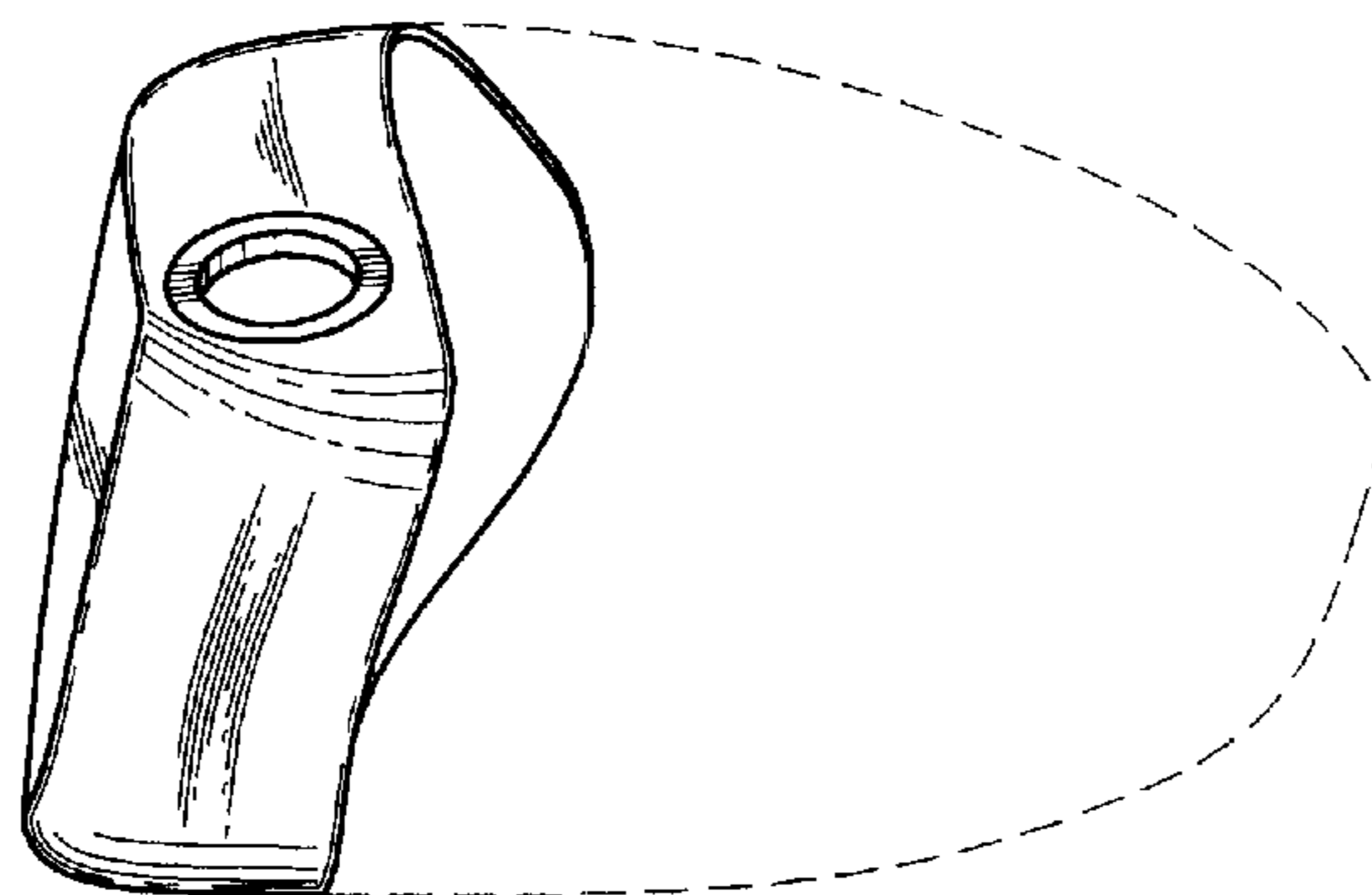
*FIG. 3*



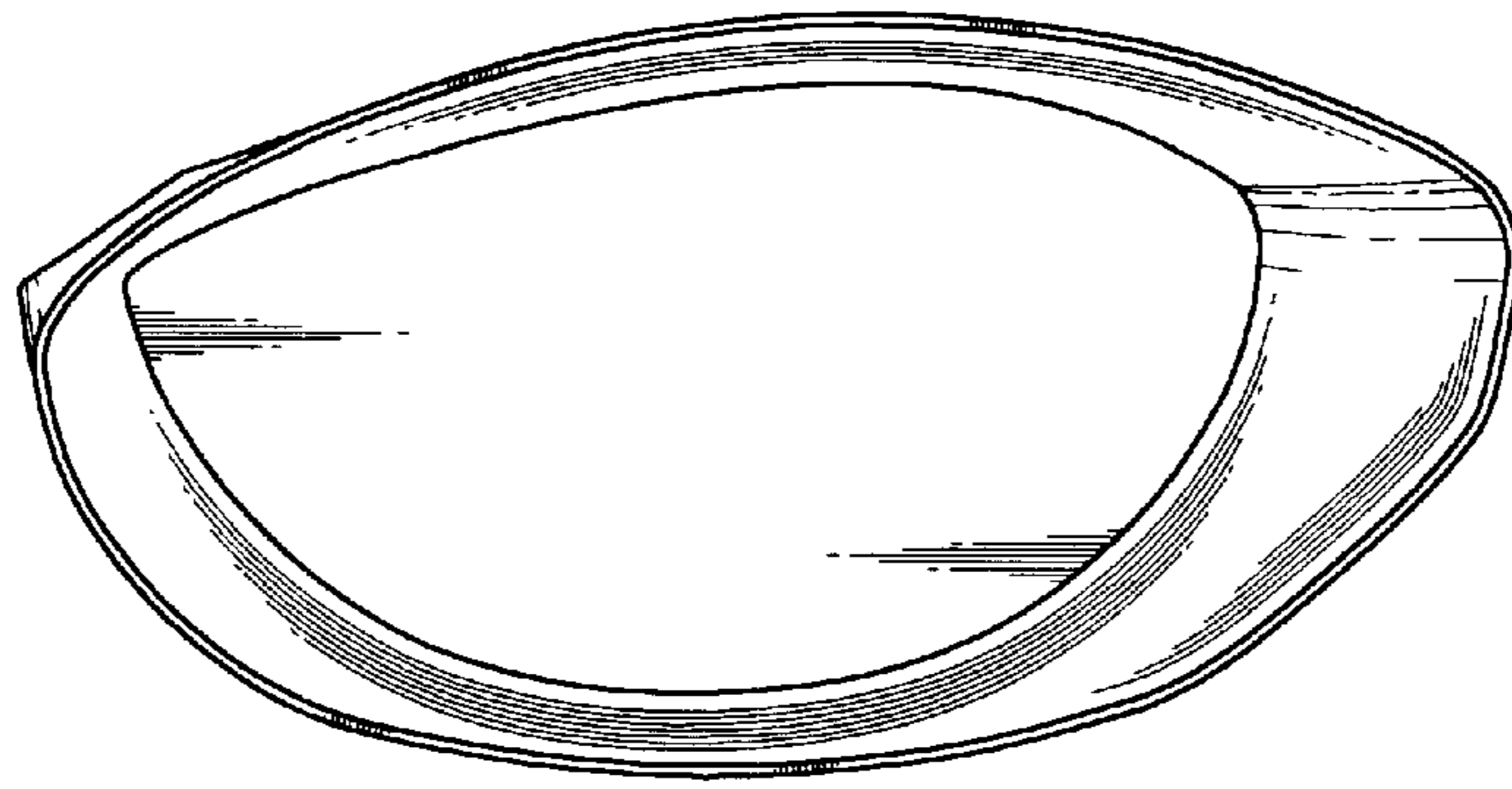
*FIG. 4*



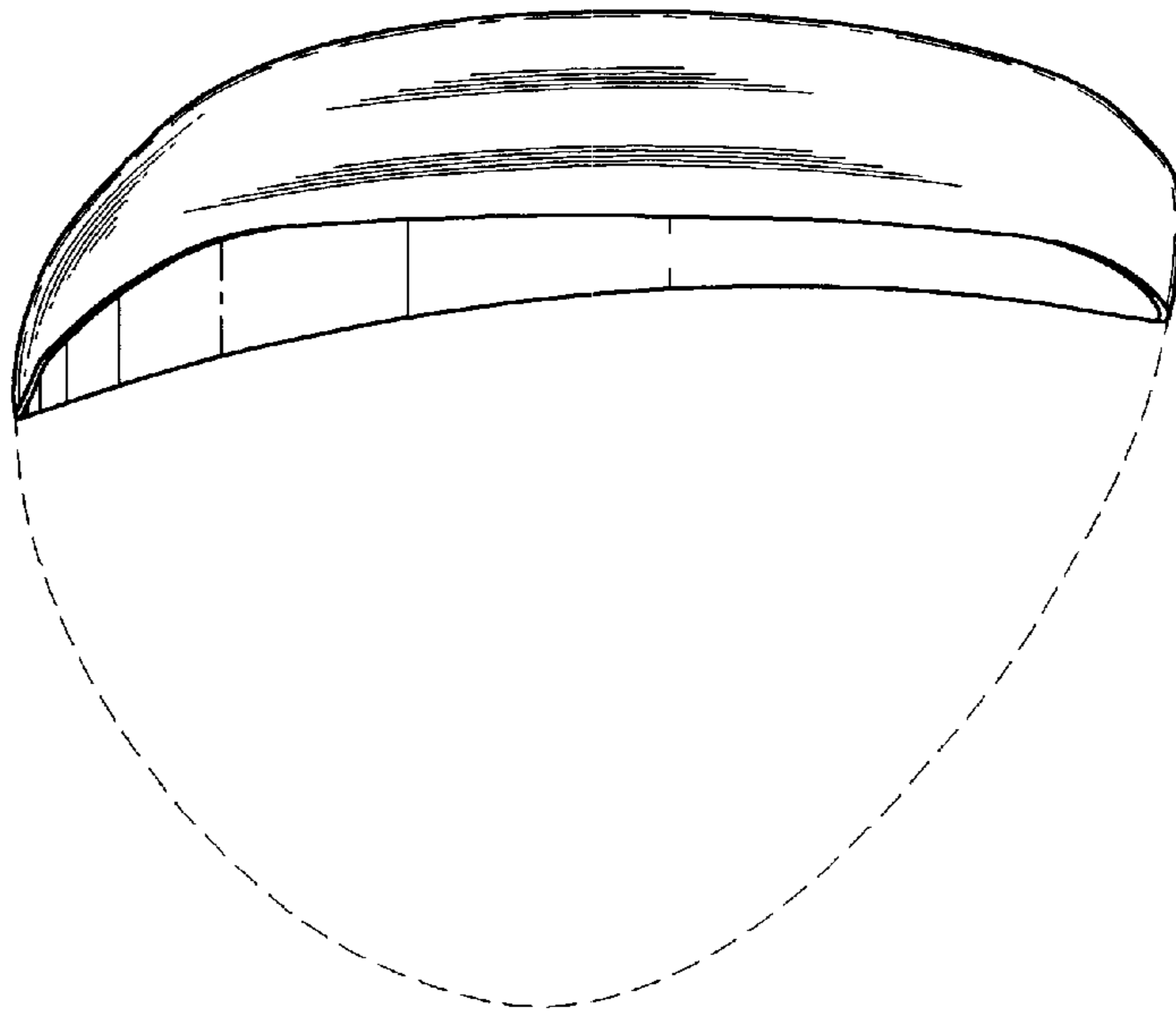
*FIG. 5*



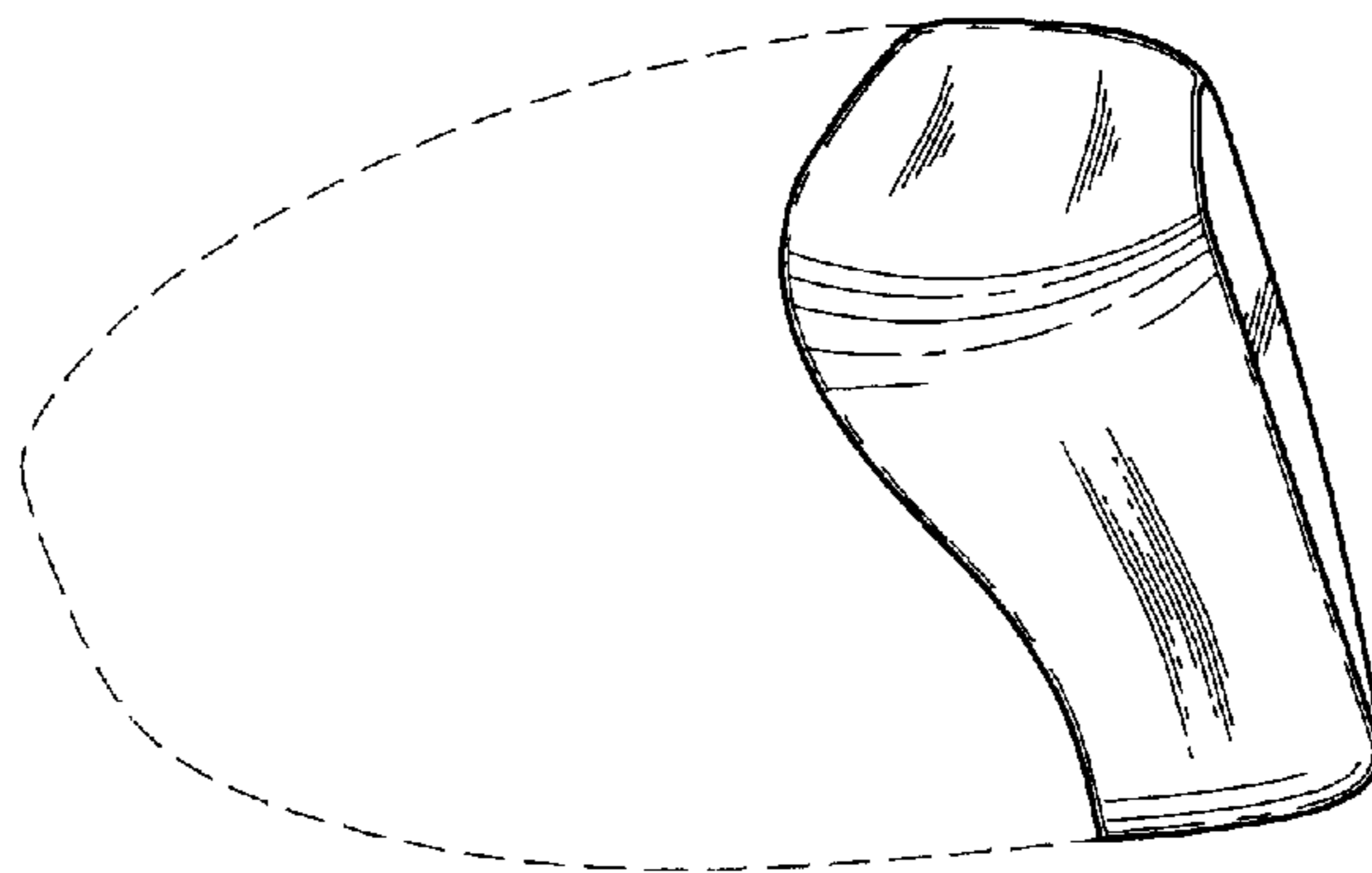
*FIG. 6*



*FIG. 7*



*FIG. 8*



*FIG. 9*