



US00D479293S

(12) **United States Design Patent**  
**Bergling Olson**

(10) **Patent No.:** **US D479,293 S**

(45) **Date of Patent:** **\*\* Sep. 2, 2003**

(54) **GOLF CLUB SHAFT HAVING STRUCTURAL TAPER AND INTEGRAL INSERT-ADAPTER WITH EXTENSION SHAFT-SLEEVE THEREFOR**

D120,333 S	*	5/1940	Barnhart .....	D21/757
D236,735 S	*	9/1975	Buch .....	D21/757
D250,356 S	*	11/1978	Kaugars .....	D21/757
D263,330 S	*	3/1982	Kaugars et al. ....	D21/757
D411,273 S	*	6/1999	Pedersen et al. ....	D21/757

(76) **Inventor:** **C. W. Bergling Olson**, c/o G.E.S.  
Office, 3101 Bardstown Rd., Louisville,  
KY (US) 40205

\* cited by examiner

*Primary Examiner*—Mitchell Siegel

(\*\*) **Term:** **14 Years**

(57) **CLAIM**

(21) **Appl. No.:** **29/166,157**

The ornamental design for a golf club shaft having structural taper and integral insert-adapter with extension shaft-sleeve therefor, as shown and described.

(22) **Filed:** **Aug. 23, 2002**

**DESCRIPTION**

(51) **LOC (7) Cl.** ..... **21-02**

(52) **U.S. Cl.** ..... **D21/757**

(58) **Field of Search** ..... D21/756, 757,  
D21/759; 473/316-323

FIG. 1 is perspective view of a golf club shaft having structural taper and integral insert-adapter with extension shaft-sleeve therefor showing my new design; FIG. 2 is a top end view thereof; FIG. 3 is a bottom end view thereof; and, FIG. 4 is a exploded view of the FIG. 1 in a condition prior to assembly/use.

The rear view of FIGS. 1 and 4 are mirror images thereof.

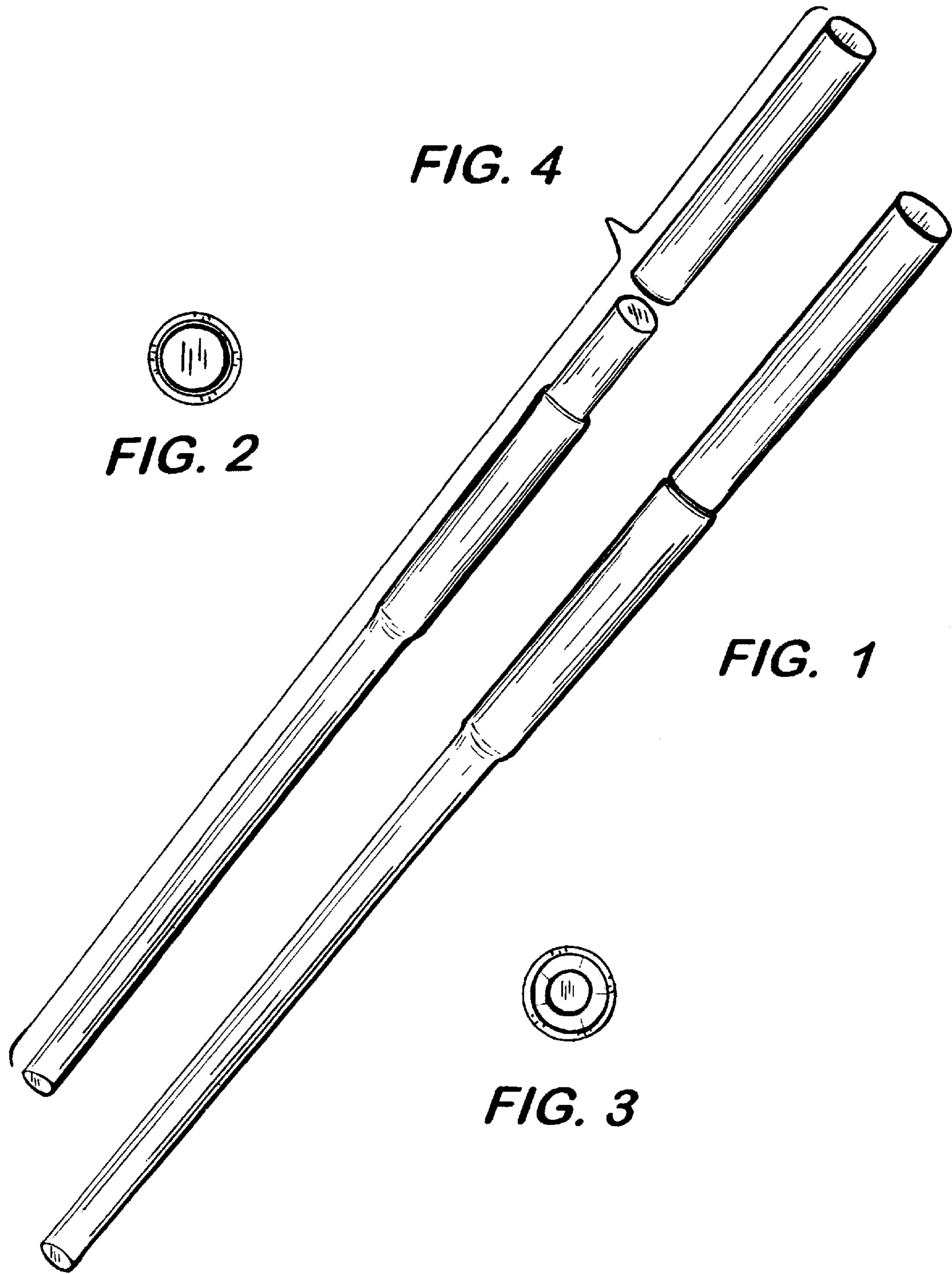
(56) **References Cited**

**U.S. PATENT DOCUMENTS**

D73,777 S	*	11/1927	Cowdery .....	D21/757
D92,571 S	*	6/1934	Barnhart .....	D21/757
D118,594 S	*	1/1940	Heddon .....	D21/757
D120,332 S	*	5/1940	Barnhart .....	D21/757

**1 Claim, 1 Drawing Sheet**





**FIG. 4**

**FIG. 2**

**FIG. 1**

**FIG. 3**