



US00D479290S

(12) **United States Design Patent**
DeChenne

(10) **Patent No.:** **US D479,290 S**

(45) **Date of Patent:** **** Sep. 2, 2003**

(54) **BALL HITTING TEE**

6,413,175 B1 * 7/2002 Mooney, Jr. 473/417

(75) Inventor: **Durward E. DeChenne**, Sherwood, OR (US)

* cited by examiner

Primary Examiner—Ted Shooman

Assistant Examiner—C. Tuttle

(73) Assignee: **Jugs, Inc.**, Tualatin, OR (US)

(74) *Attorney, Agent, or Firm*—Olson & Olson

(**) Term: **14 Years**

(57) **CLAIM**

(21) Appl. No.: **29/161,211**

The ornamental design for a ball hitting tee, as shown and described.

(22) Filed: **May 22, 2002**

DESCRIPTION

(51) **LOC (7) Cl.** **21-02**

(52) **U.S. Cl.** **D21/717**

(58) **Field of Search** D21/698, 706,
D21/715-718, 780, 791, 792; 473/415-420,
422, 451-456, 465, 468, 497, 499-501

FIG. 1 is a front perspective view of a ball hitting tee showing my new design;

FIG. 2 is a rear view thereof;

FIG. 3 is a plan view thereof;

FIG. 4 is a side view thereof, the opposite side being a mirror image;

(56) **References Cited**

U.S. PATENT DOCUMENTS

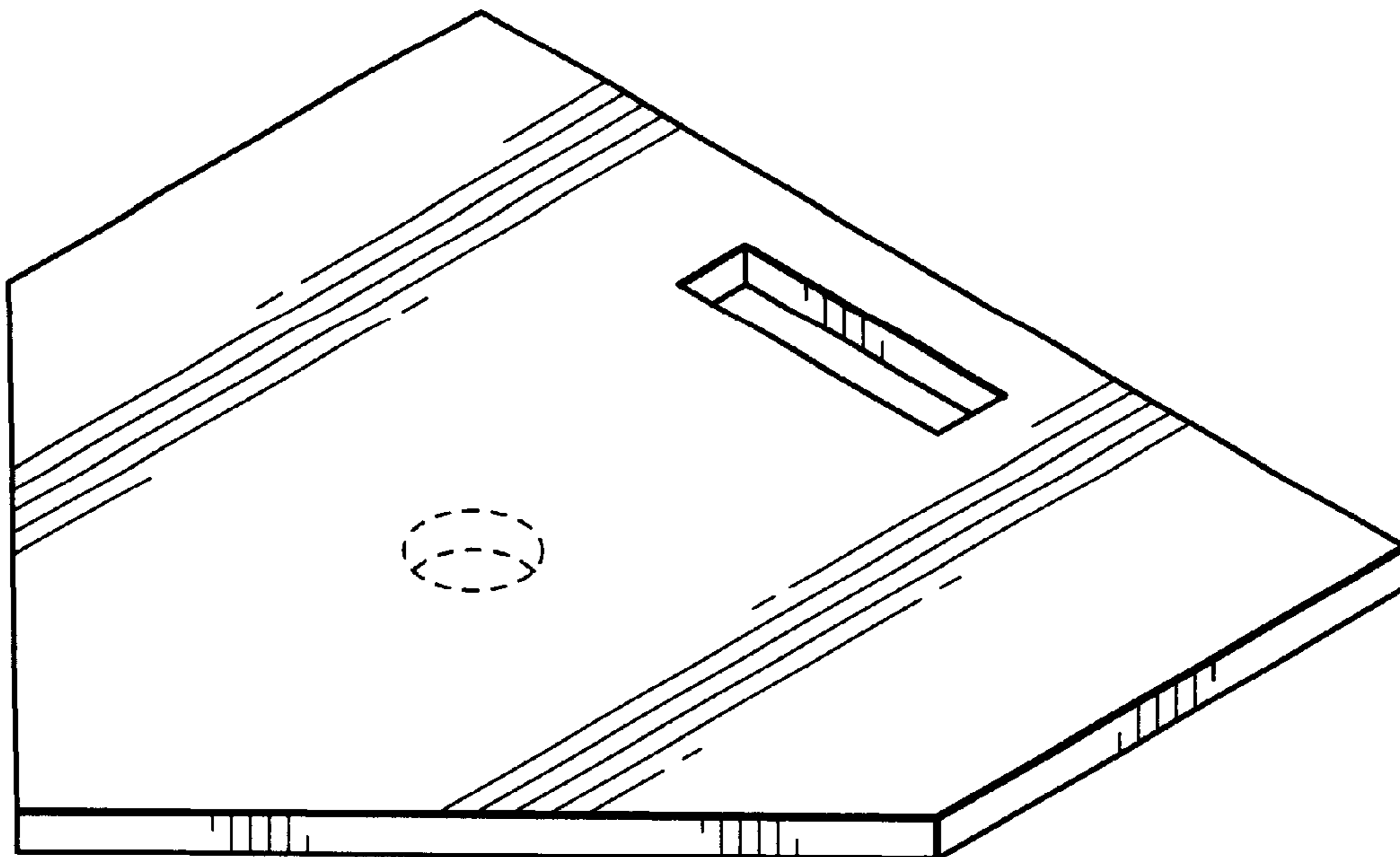
3,815,905	A	*	6/1974	Golomb	473/499
4,709,924	A	*	12/1987	Wilson et al.	473/417
4,778,177	A	*	10/1988	Taksony	473/451
D303,823	S	*	10/1989	Eke	D21/780
5,004,234	A	*	4/1991	Hollis	473/417
D373,806	S	*	9/1996	Bunnell	D21/717
5,772,536	A	*	6/1998	Wang	473/417
5,928,092	A	*	7/1999	Keeter et al.	473/417
D451,566	S	*	12/2001	De Chenne	D21/717

FIG. 5 is a front perspective view similar to FIG. 1, showing in broken lines the tee post in upstanding position and the storage straps; and,

FIG. 6 is a front perspective view similar to FIG. 5, showing in broken lines the tee post in storage position under the storage straps.

The broken line showing of the circular aperture, tee post and storage straps is for illustrative purposes only and forms no part of the claimed design.

1 Claim, 2 Drawing Sheets



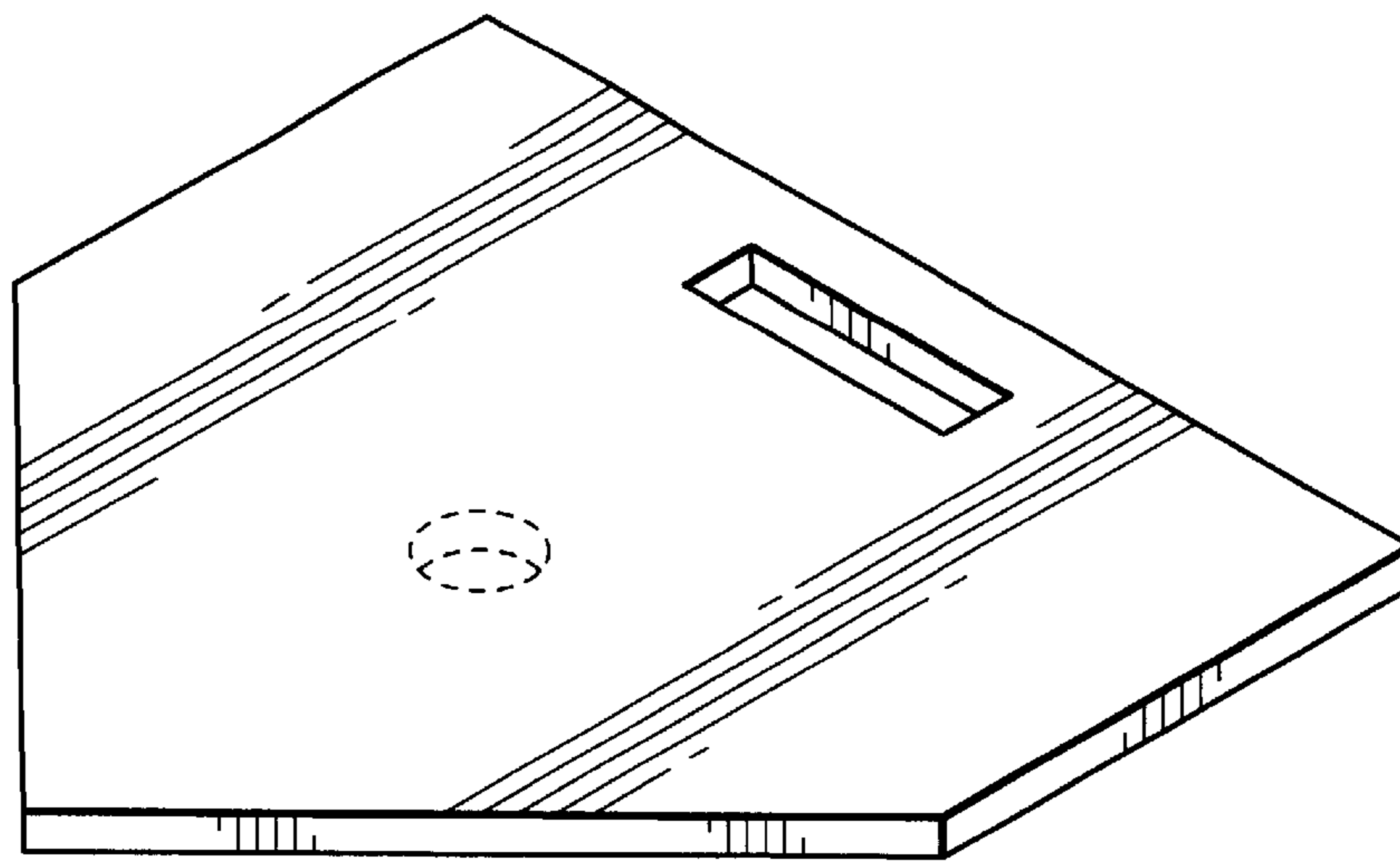


FIG. 1



FIG. 2

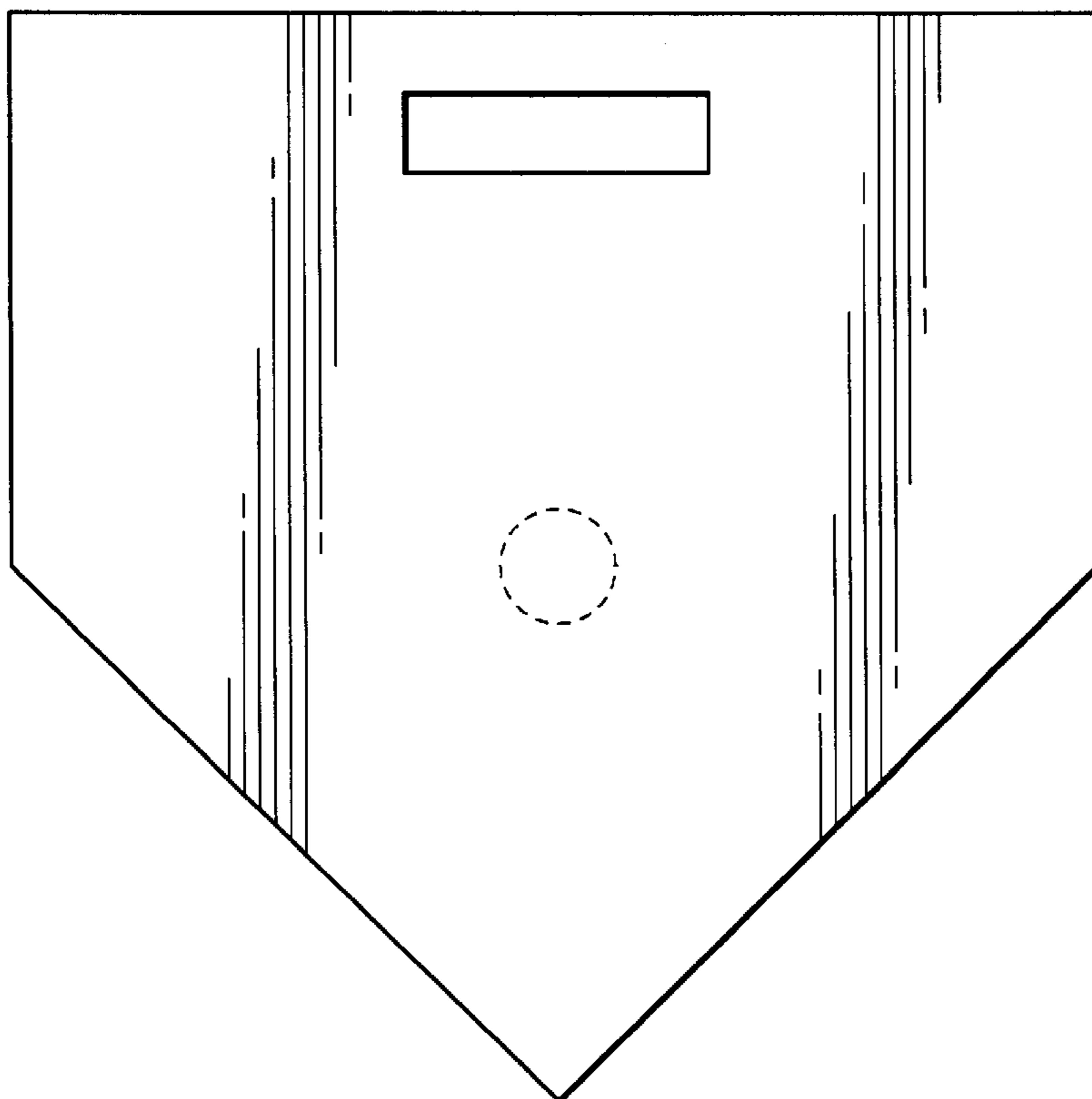


FIG. 3



FIG. 4

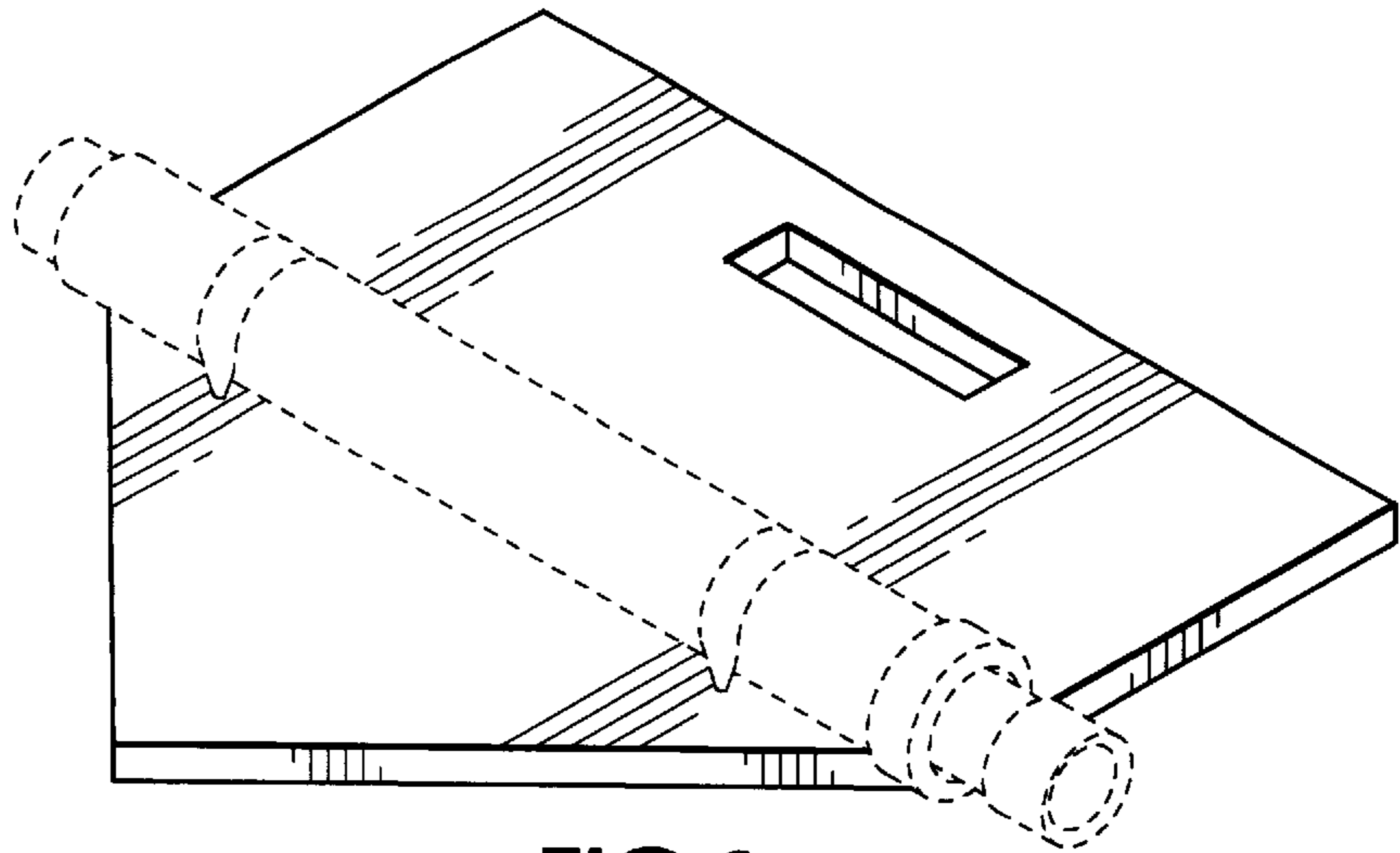


FIG. 6

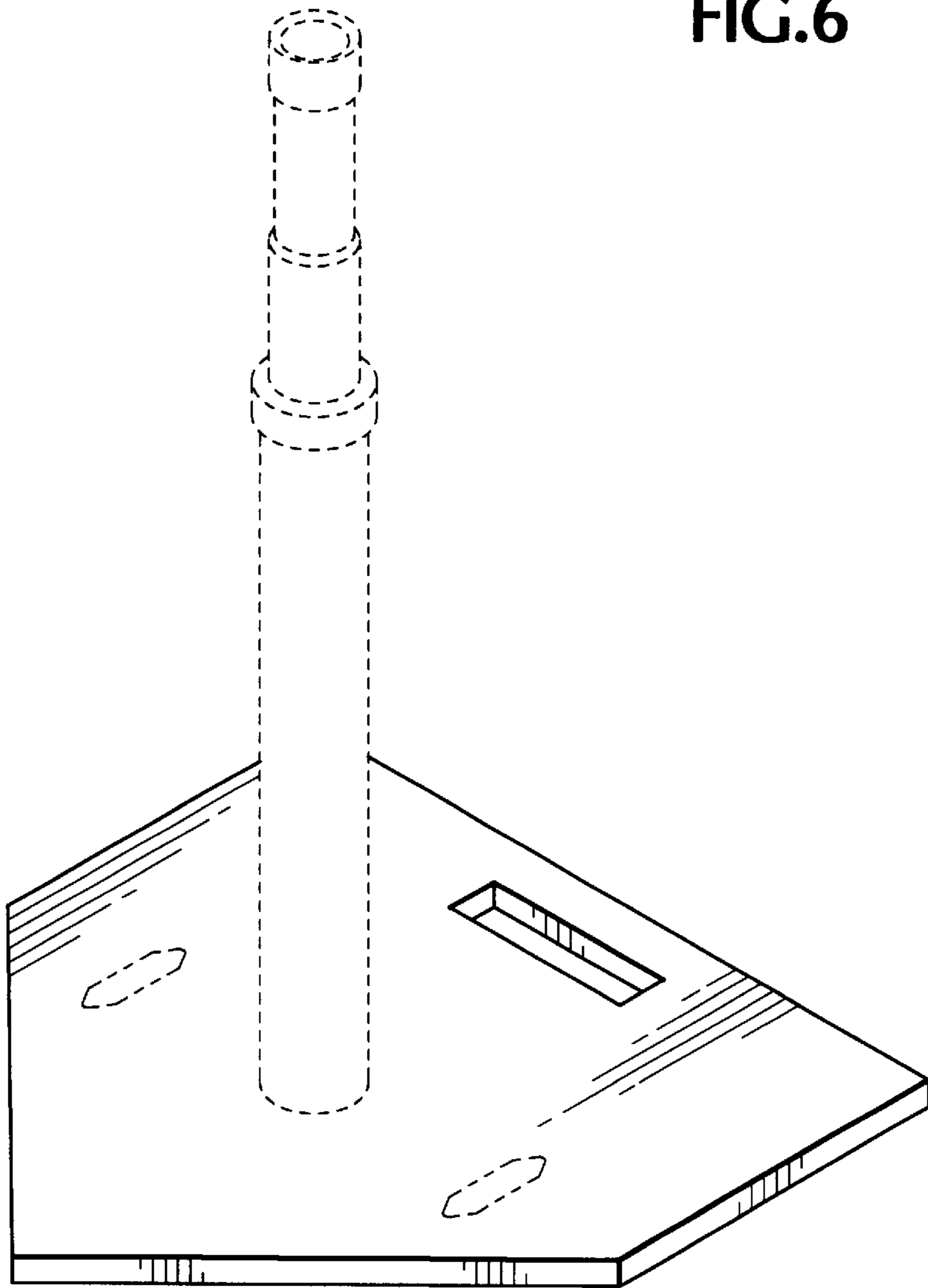


FIG. 5