



US00D479289S

(12) **United States Design Patent**  
**Turner**

(10) **Patent No.:** **US D479,289 S**

(45) **Date of Patent:** **\*\* Sep. 2, 2003**

(54) **PORTABLE PUSHUPS EXERCISE DEVICE**

(76) Inventor: **Dennis L. Turner**, 619 S. Pleasant Ave., Lodi, CA (US) 95240

(\*\*) Term: **14 Years**

(21) Appl. No.: **29/171,526**

(22) Filed: **Nov. 25, 2002**

(51) **LOC (7) Cl.** ..... **21-02**

(52) **U.S. Cl.** ..... **D21/662; D21/686**

(58) **Field of Search** ..... D21/662, 682, D21/684; 482/141, 91, 92, 95, 96, 148

(56) **References Cited**

**U.S. PATENT DOCUMENTS**

2,817,347	A	*	12/1957	Hilt, Sr.	.....	135/65
3,115,338	A		12/1963	Acs et al.	.....	482/141
4,232,863	A		11/1980	Roach	.....	482/141
4,327,907	A	*	5/1982	DeVries	.....	482/141
4,351,525	A	*	9/1982	Rozenblad	.....	482/141
5,072,933	A		12/1991	Diodati		
5,242,355	A		9/1993	Costa	.....	482/141
D354,100	S	*	1/1995	Tsay et al.	.....	D21/686
D364,902	S	*	12/1995	Fleming	.....	D21/686

D374,045	S	*	9/1996	Ward, III	.....	D21/686
5,643,162	A		7/1997	Landers et al.	.....	482/141
D432,603	S	*	10/2000	Bullard, Jr.	.....	D21/686

\* cited by examiner

*Primary Examiner*—Philip S. Hyder

(74) *Attorney, Agent, or Firm*—Donald R. Schoonover

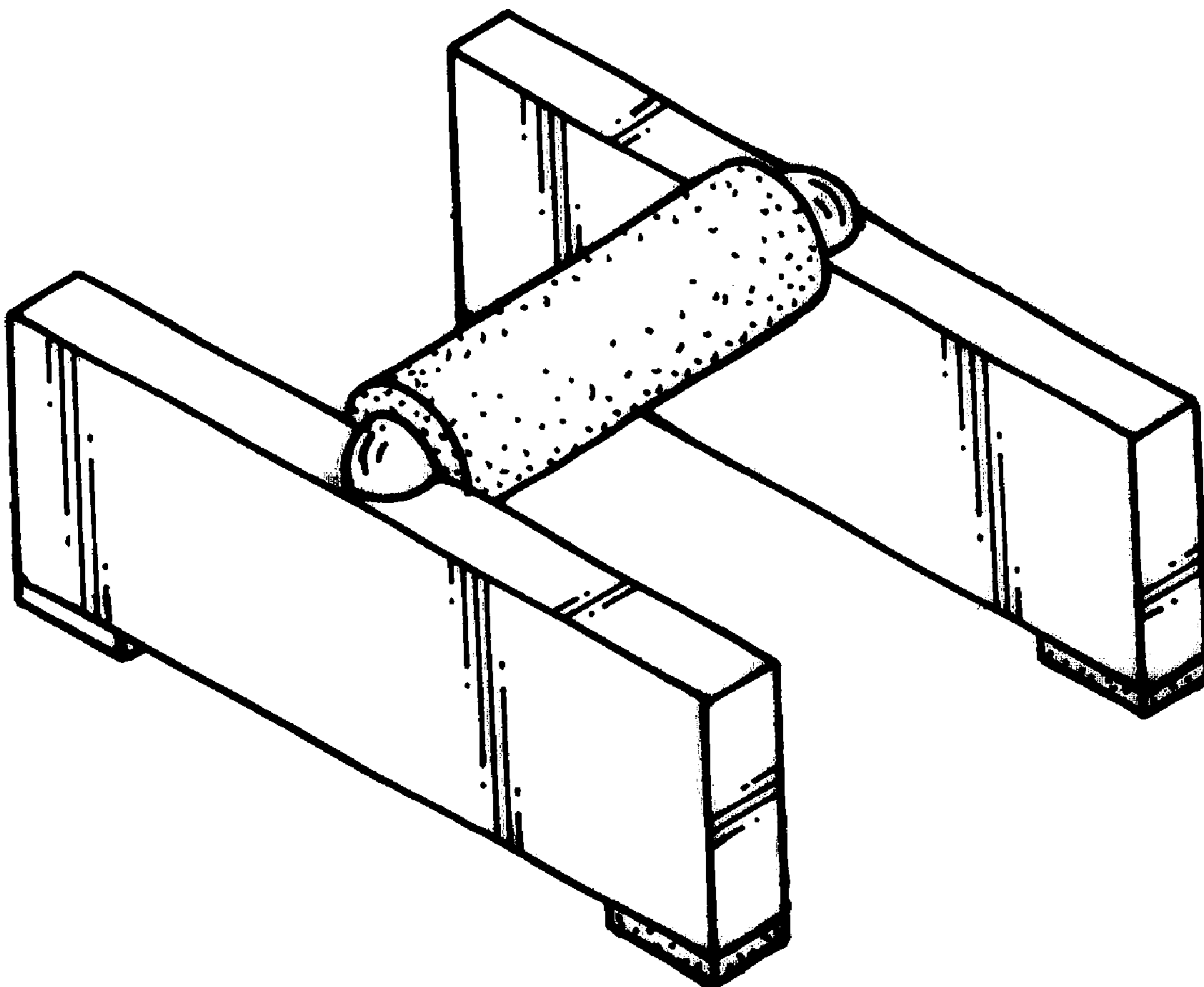
(57) **CLAIM**

I claim the ornamental design for a portable pushups exercise device, as shown and described.

**DESCRIPTION**

FIG. 1 is a perspective view of a portable pushups exercise device showing my new design;  
 FIG. 2 is a front elevational view thereof; the rear elevational view being identical thereto;  
 FIG. 3 is a side elevational view thereof, the opposite side elevational view being identical thereto;  
 FIG. 4 is a top plan view thereof;  
 FIG. 5 is a bottom plan view thereof; and,  
 FIG. 6 is a perspective view showing the portable pushups exercise device in use; the broken lines depict environmental structure and form no part of the claimed design.

**1 Claim, 3 Drawing Sheets**



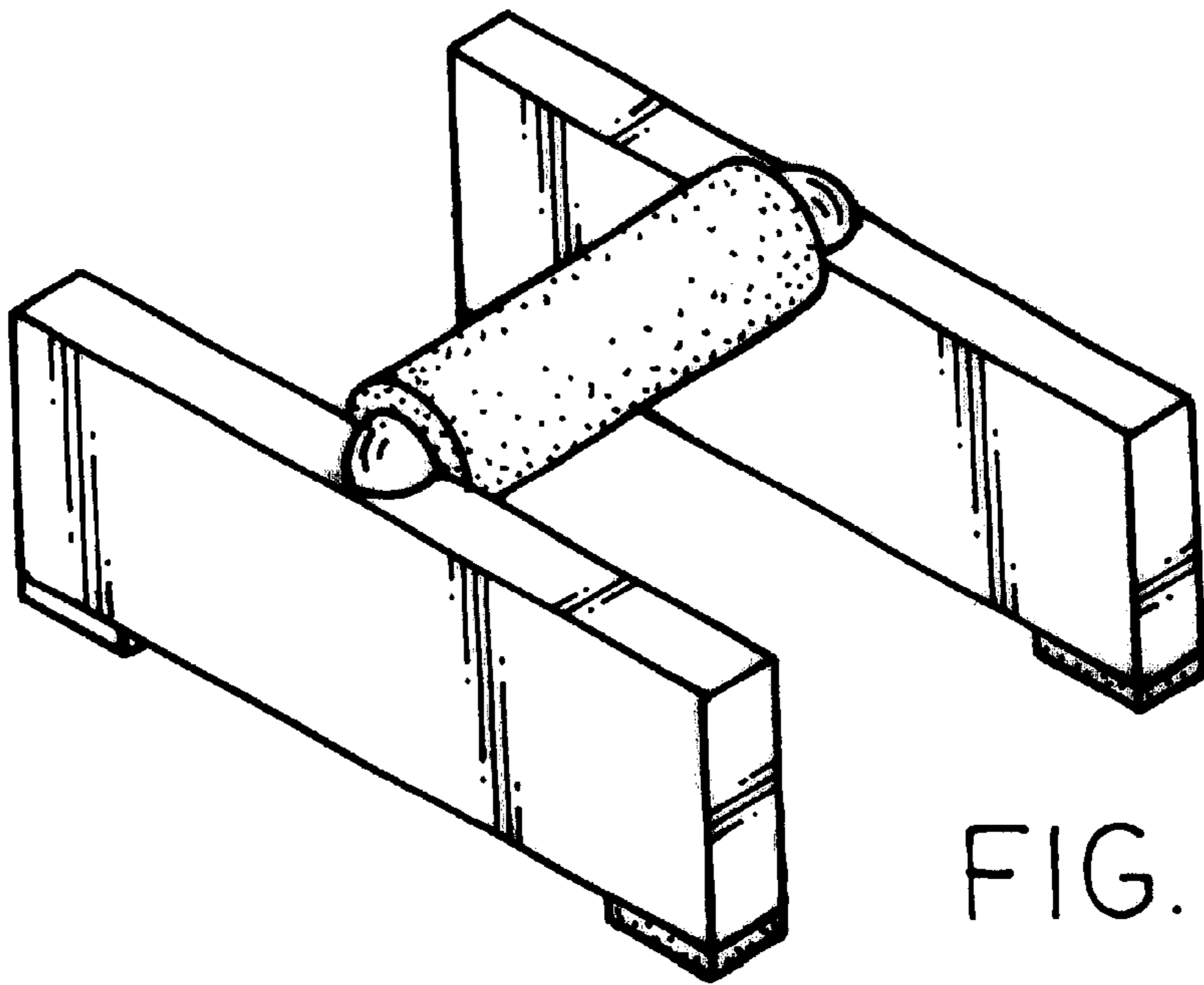


FIG. 1.

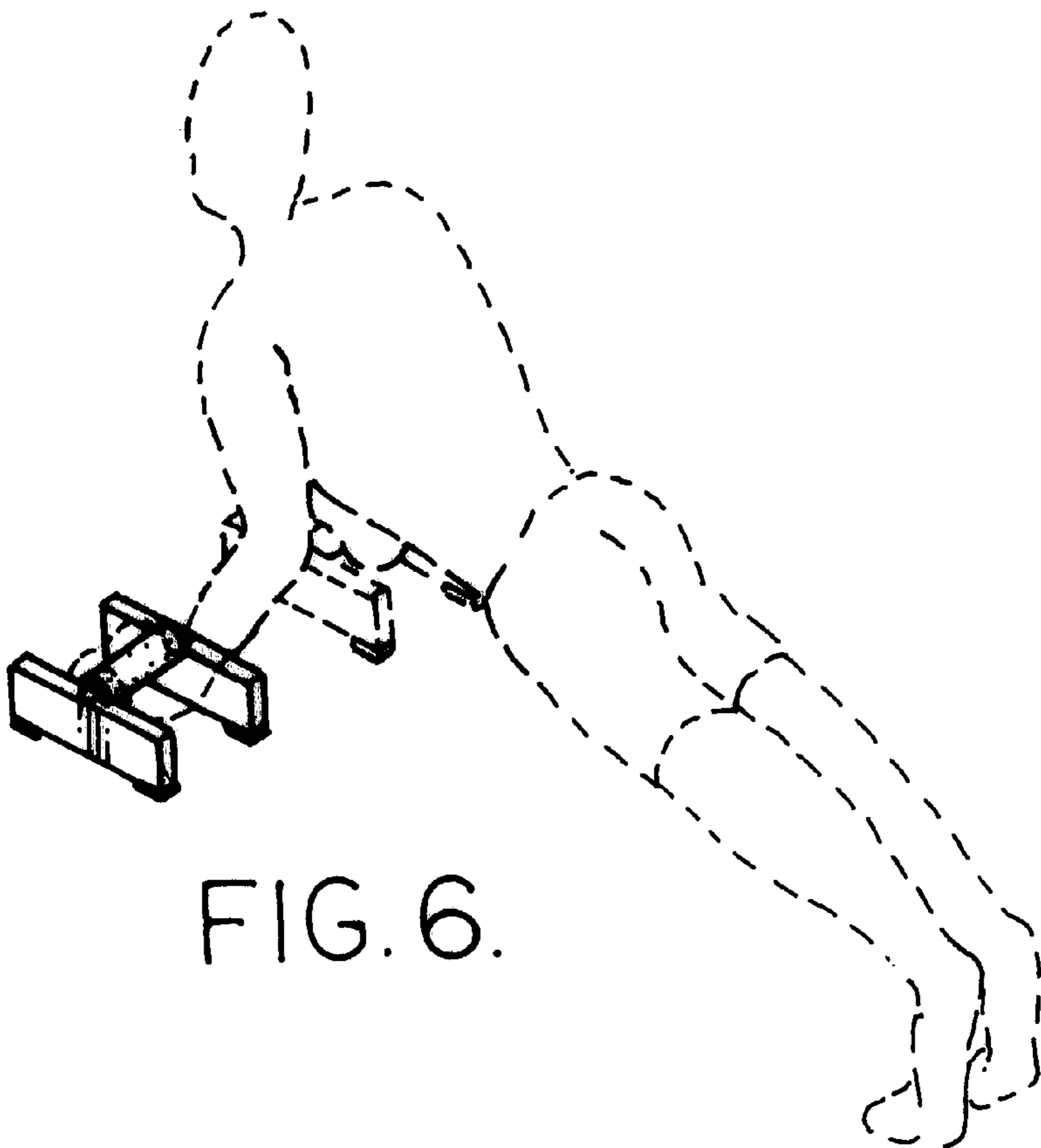


FIG. 6.

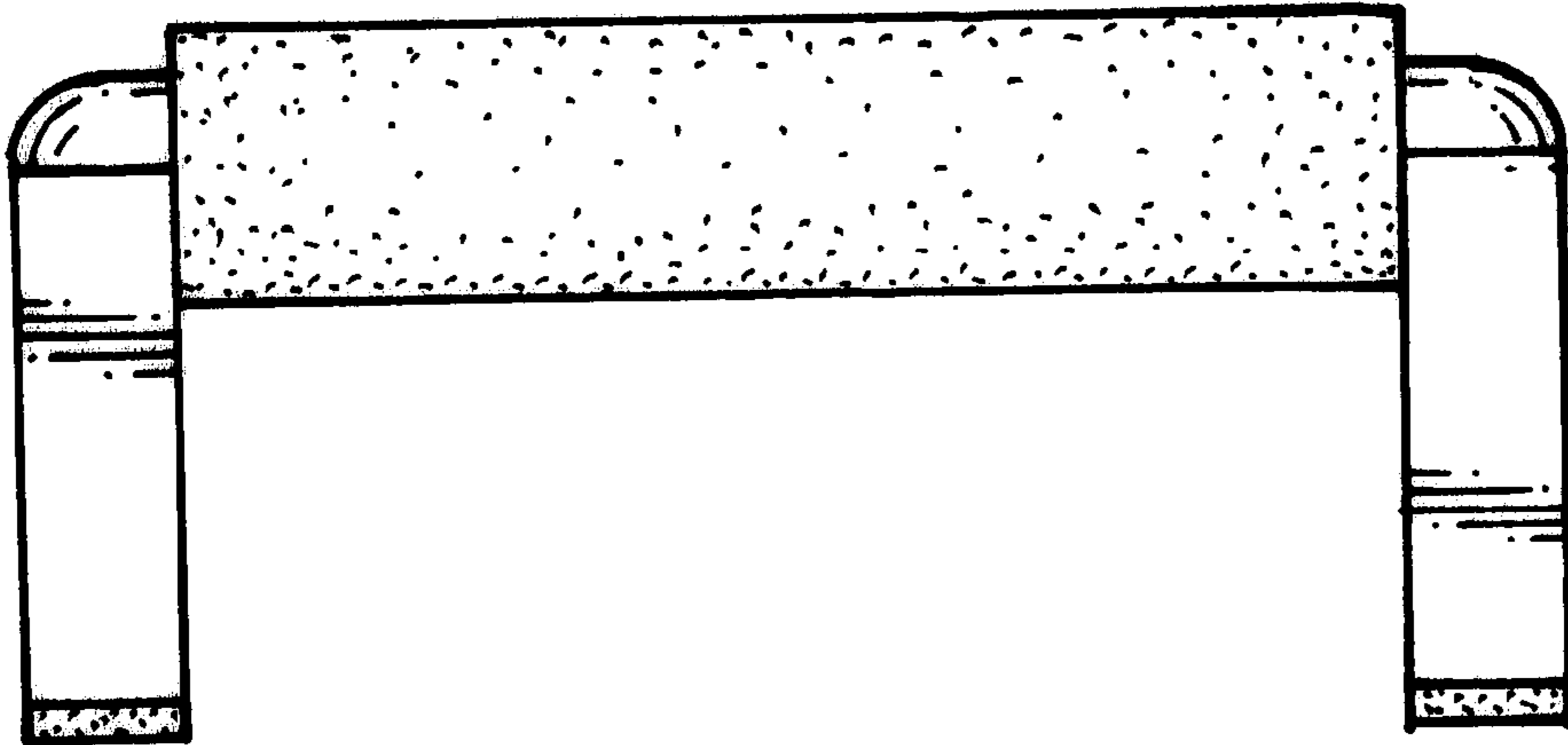


FIG. 2.

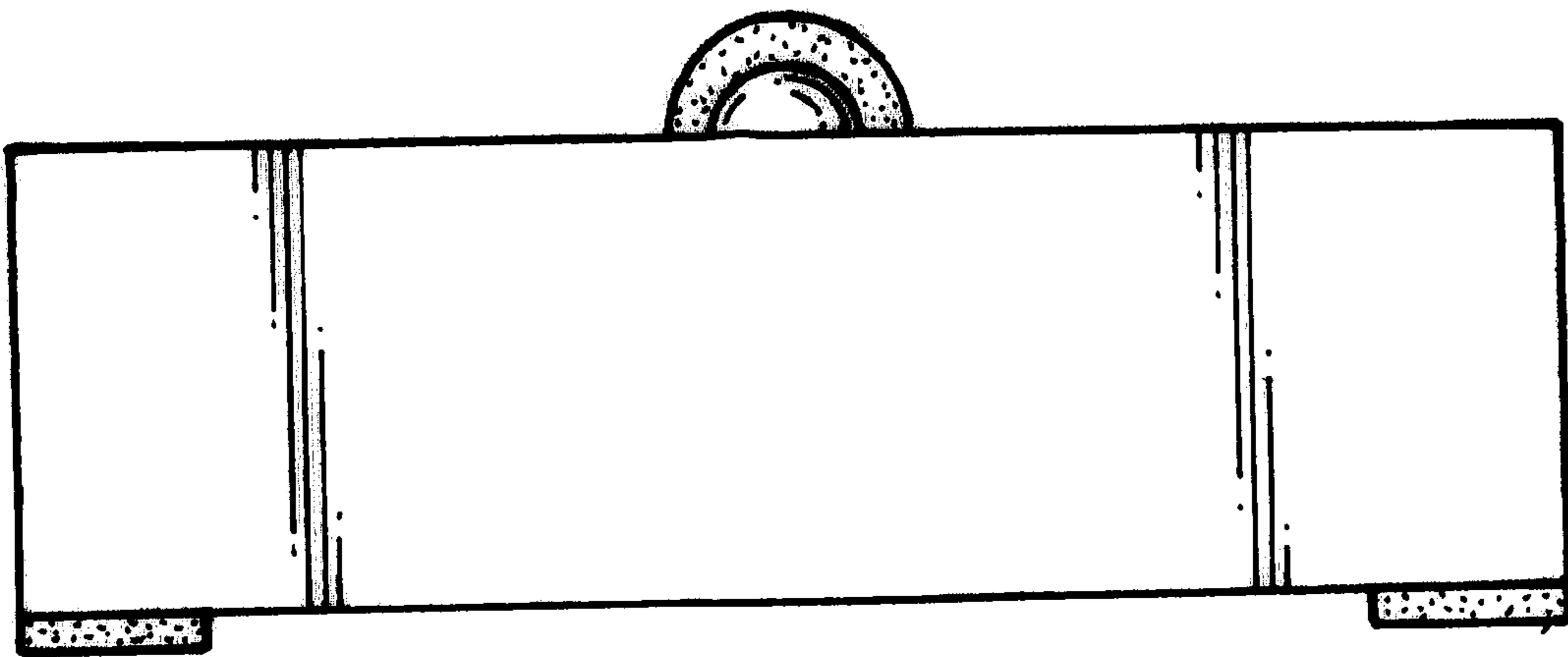


FIG. 3.

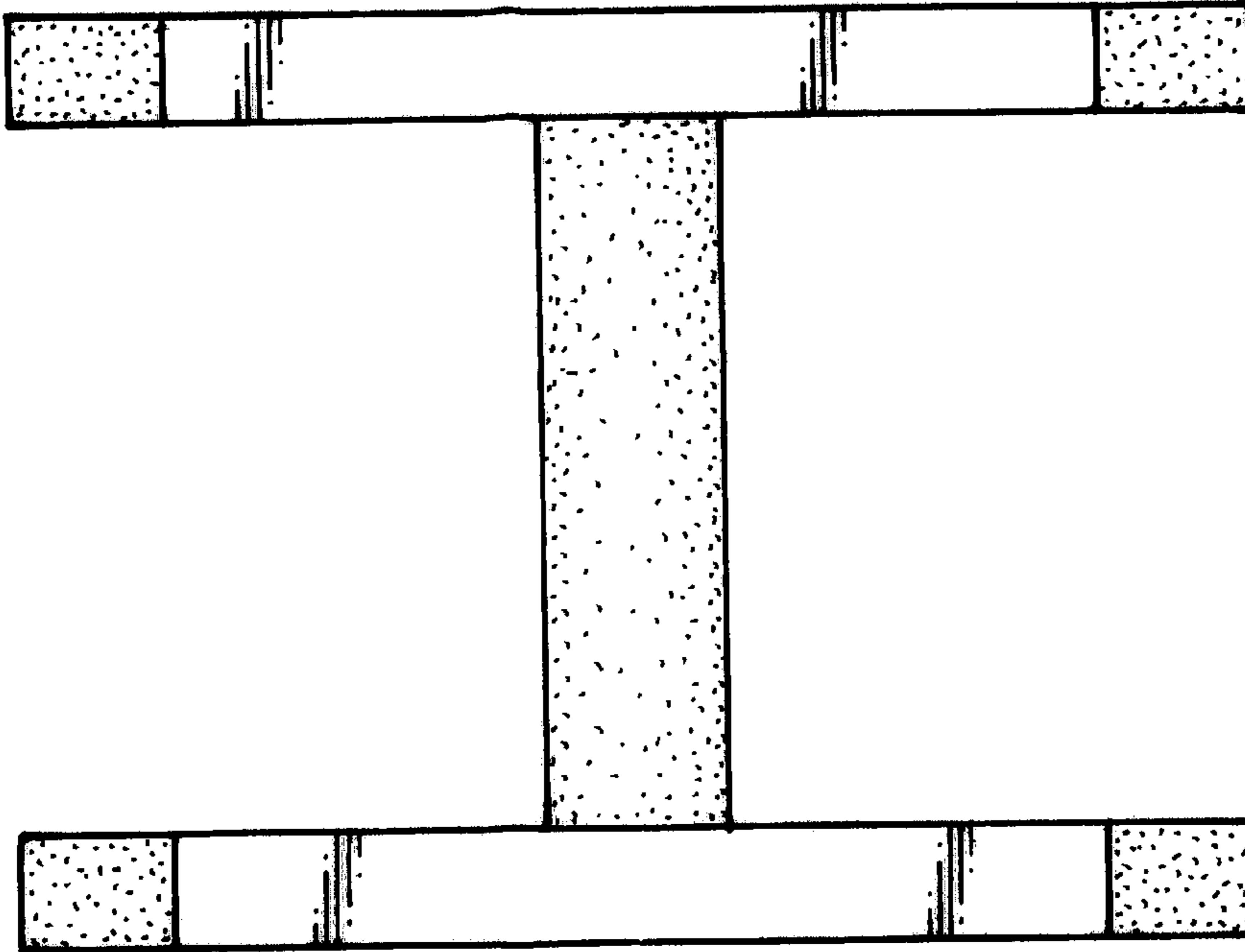


FIG. 5.

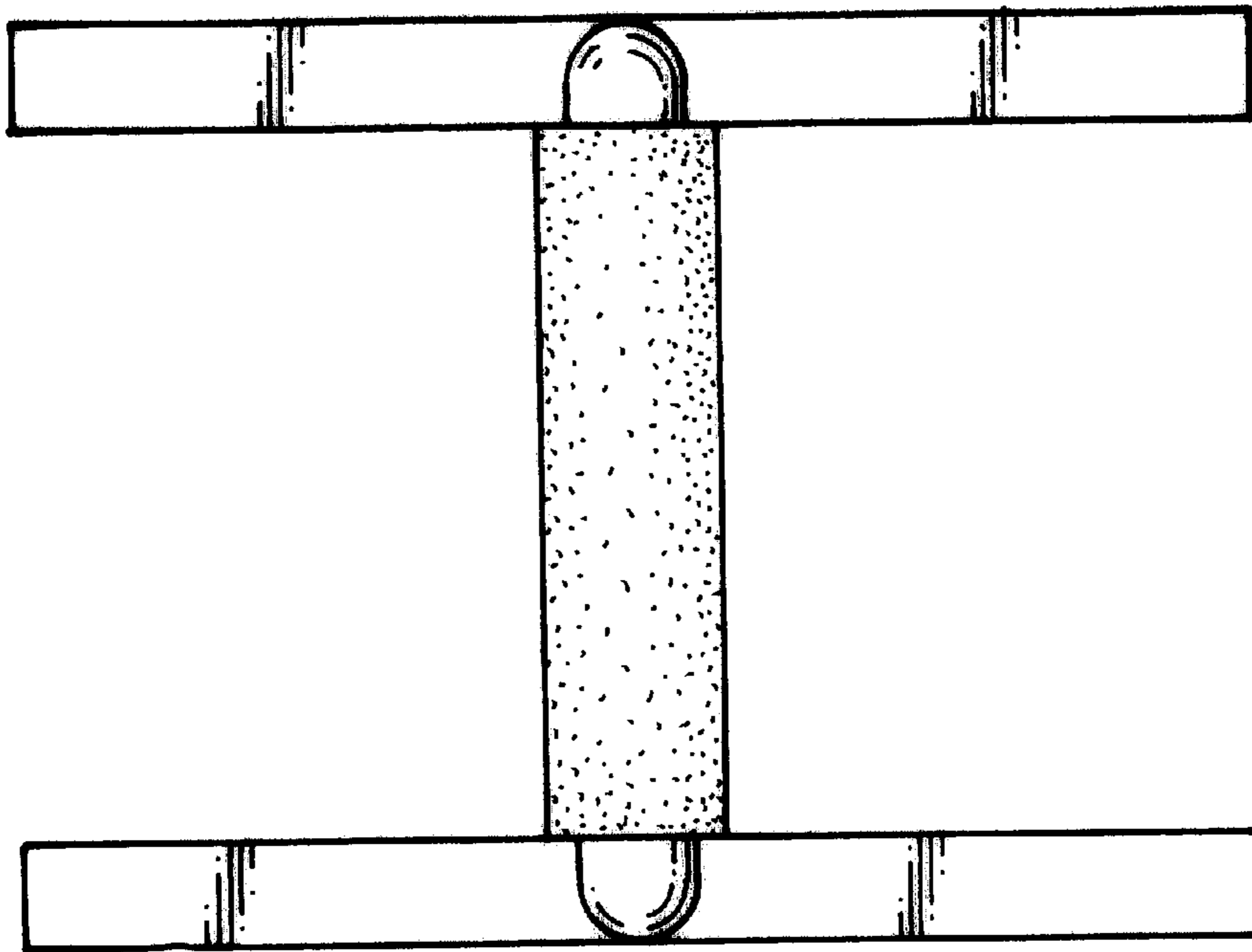


FIG. 4.