



US00D479285S

(12) **United States Design Patent**
Jung

(10) **Patent No.:** **US D479,285 S**

(45) **Date of Patent:** **** Sep. 2, 2003**

(54) **SCOOTER**

(75) **Inventor:** **Wu-Chung Jung, Yunlin Hsien (TW)**

(73) **Assignees:** **Cobra King Technology Development Co., Ltd., Yulin Hsien (TW); Deagle (Far East) Ltd., Central Hong Kong (HK)**

(**) **Term:** **14 Years**

(21) **Appl. No.:** **29/171,501**

(22) **Filed:** **Nov. 22, 2002**

(51) **LOC (7) Cl.** **21-01**

(52) **U.S. Cl.** **D21/423**

(58) **Field of Search** D21/419, 421, D21/423, 424, 426, 435, 533, 760, 765, 771; D12/110-112; 180/181, 219-223, 205-207, 216; 280/87.01, 87.021, 87.041, 87.042, 261

(56) **References Cited**

U.S. PATENT DOCUMENTS

6,095,274 A * 8/2000 Patmont 180/181

D441,323 S * 5/2001 Cheng D12/111

D445,144 S * 7/2001 Lin D21/423

D464,002 S * 10/2002 Ho D12/110

D464,379 S * 10/2002 Lin D21/423

D470,438 S * 2/2003 Tateishe D12/110

* cited by examiner

Primary Examiner—Raphael Barkai

(74) *Attorney, Agent, or Firm*—Frommer Lawrence & Haug LLP; Matthew K. Ryan

(57) **CLAIM**

The ornamental design for scooter, as shown and described.

DESCRIPTION

FIG. 1 is a perspective view of scooter showing the new design;

FIG. 2 is a front elevational view thereof;

FIG. 3 is a rear elevational view thereof;

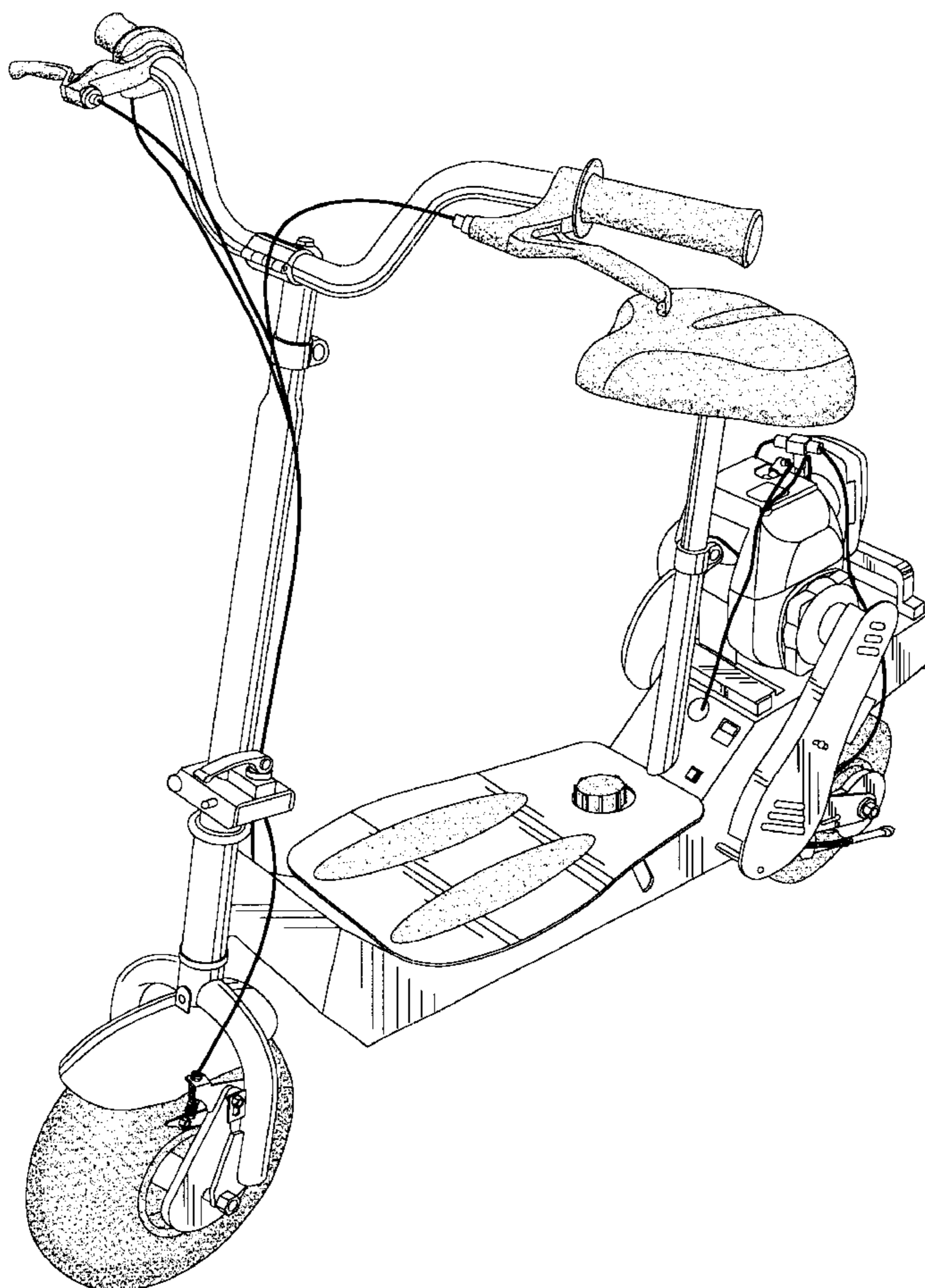
FIG. 4 is a left side elevational view thereof;

FIG. 5 is a right side elevational view thereof;

FIG. 6 is a top plan view thereof; and,

FIG. 7 is a bottom plan view thereof.

1 Claim, 7 Drawing Sheets



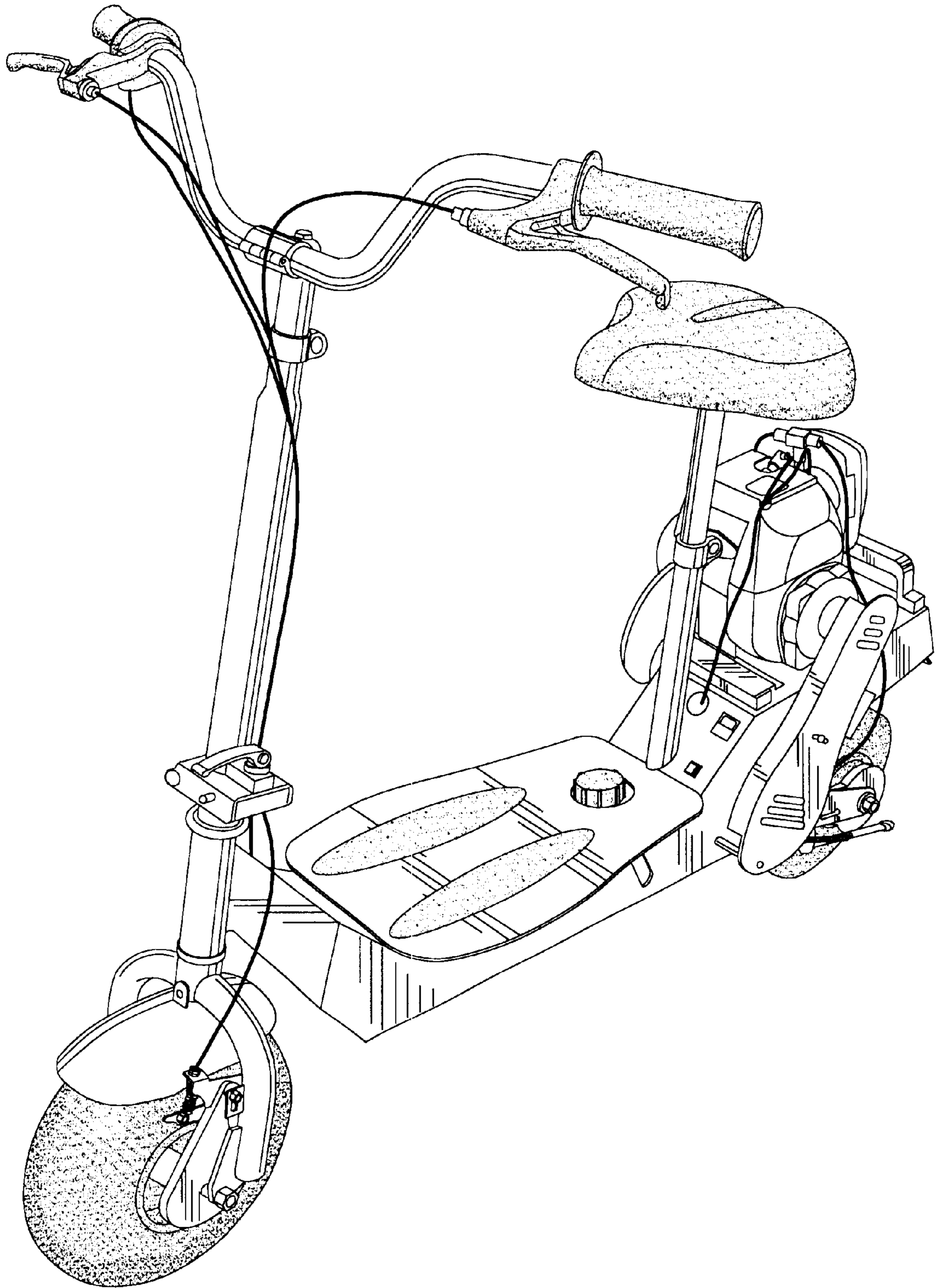


FIG. 1

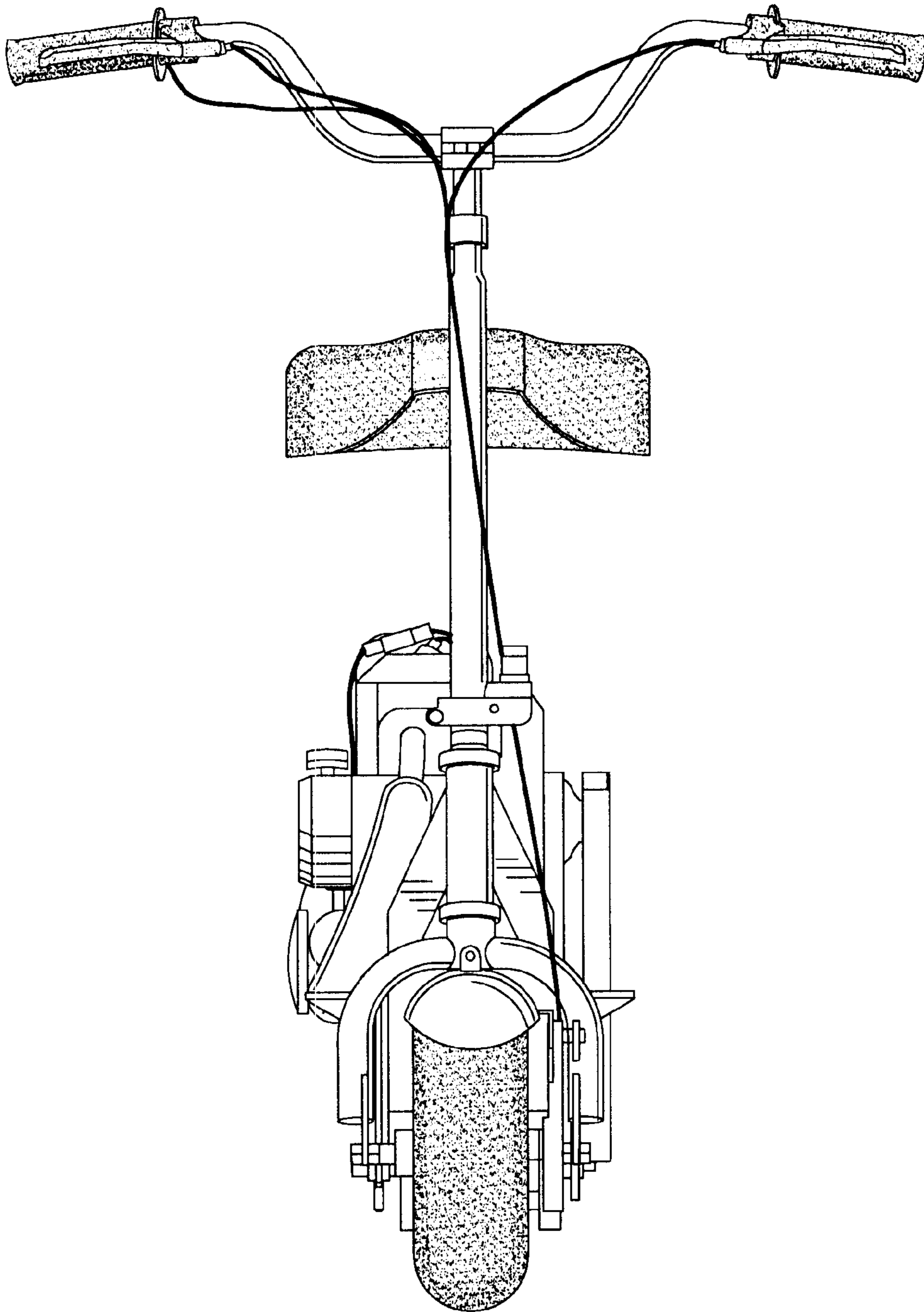


FIG. 2

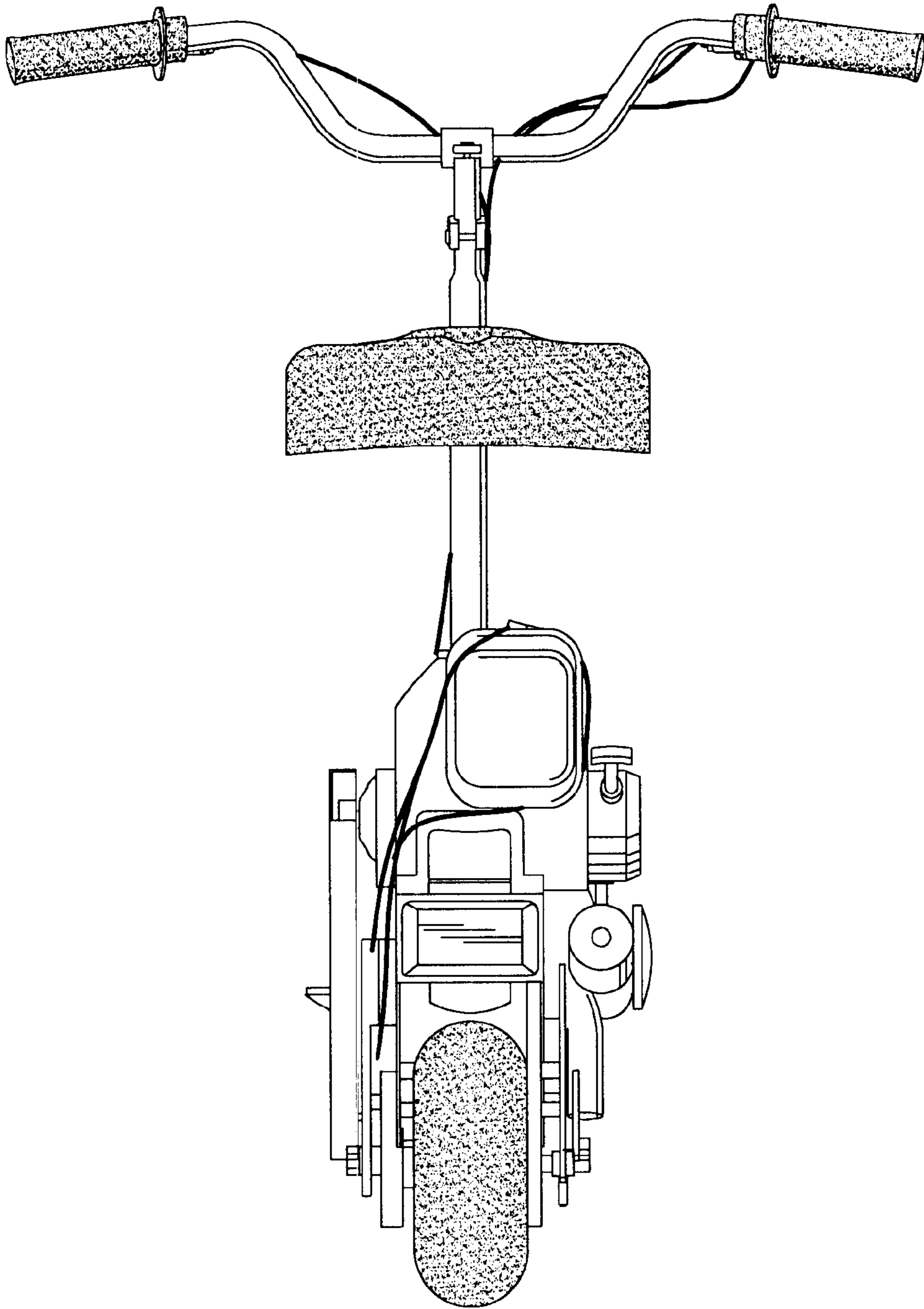


FIG. 3

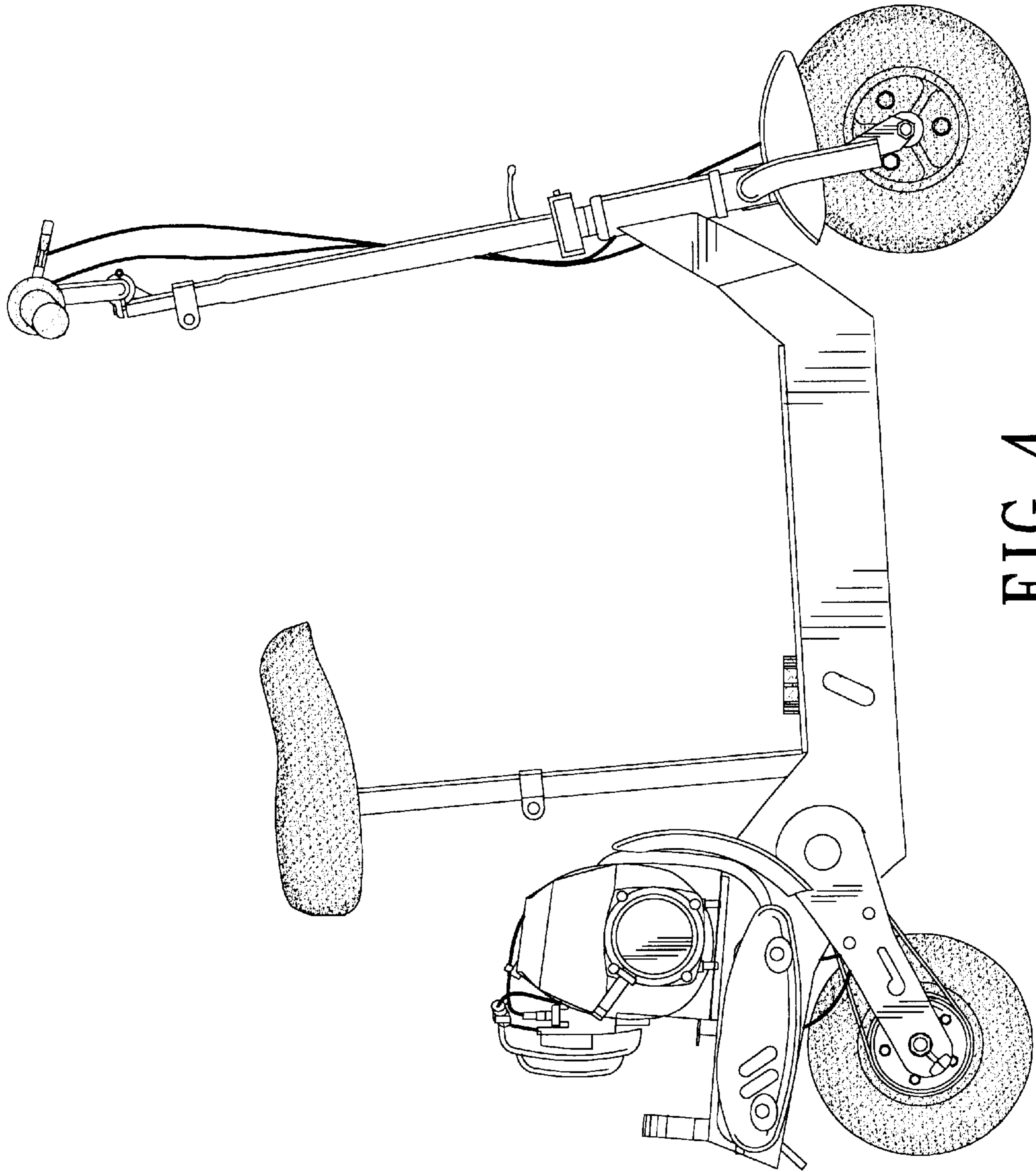


FIG. 4

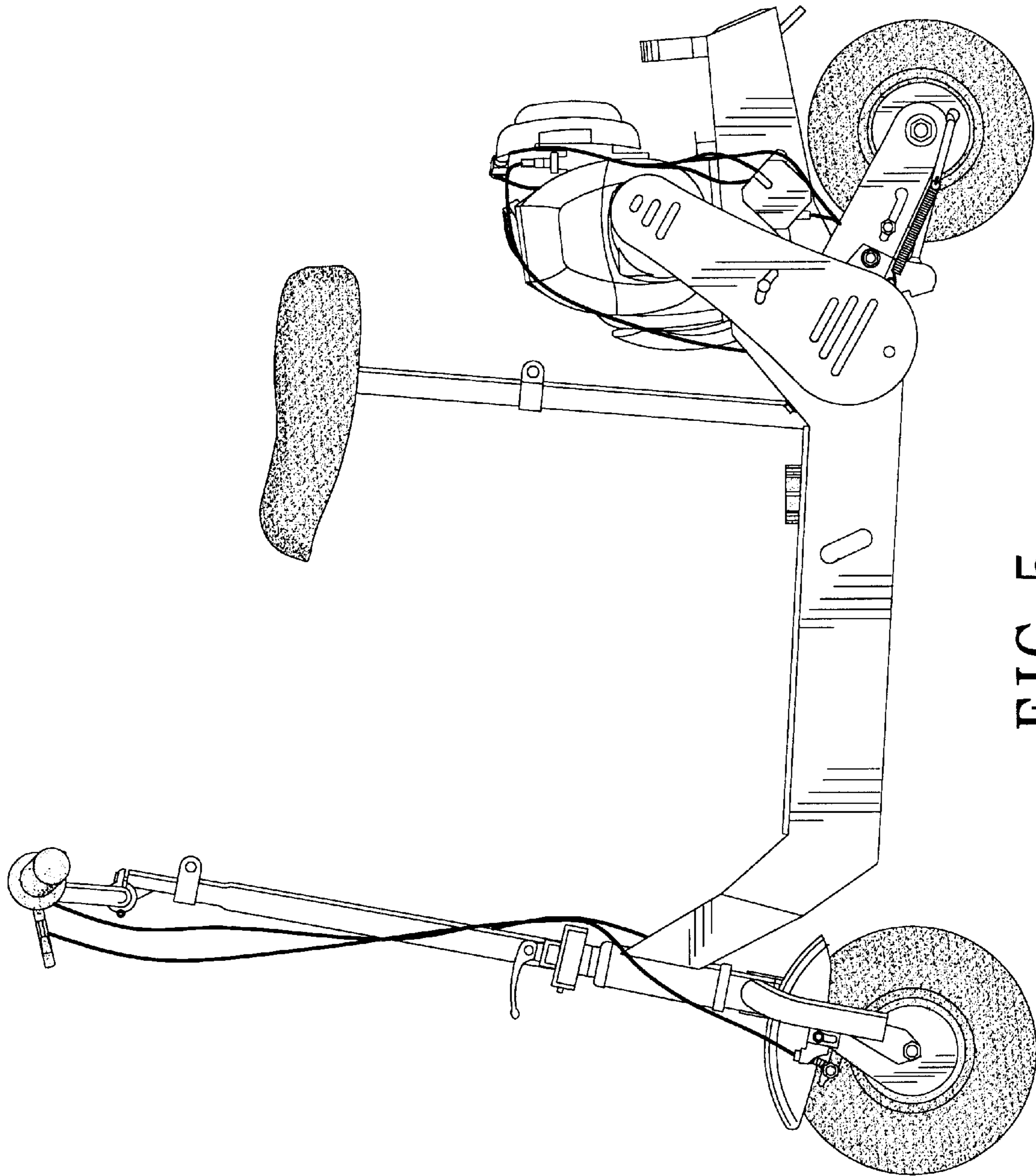


FIG. 5

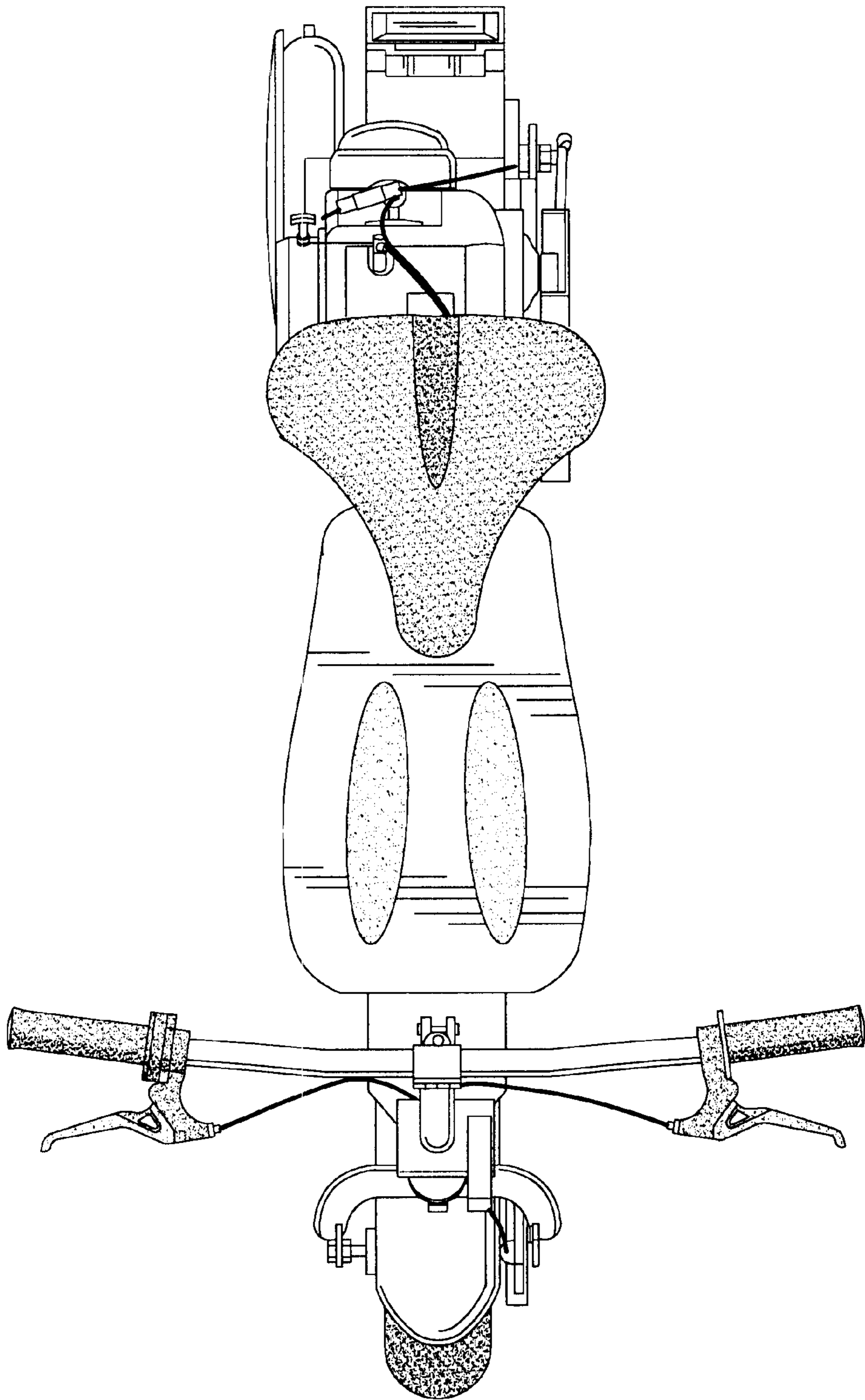


FIG. 6

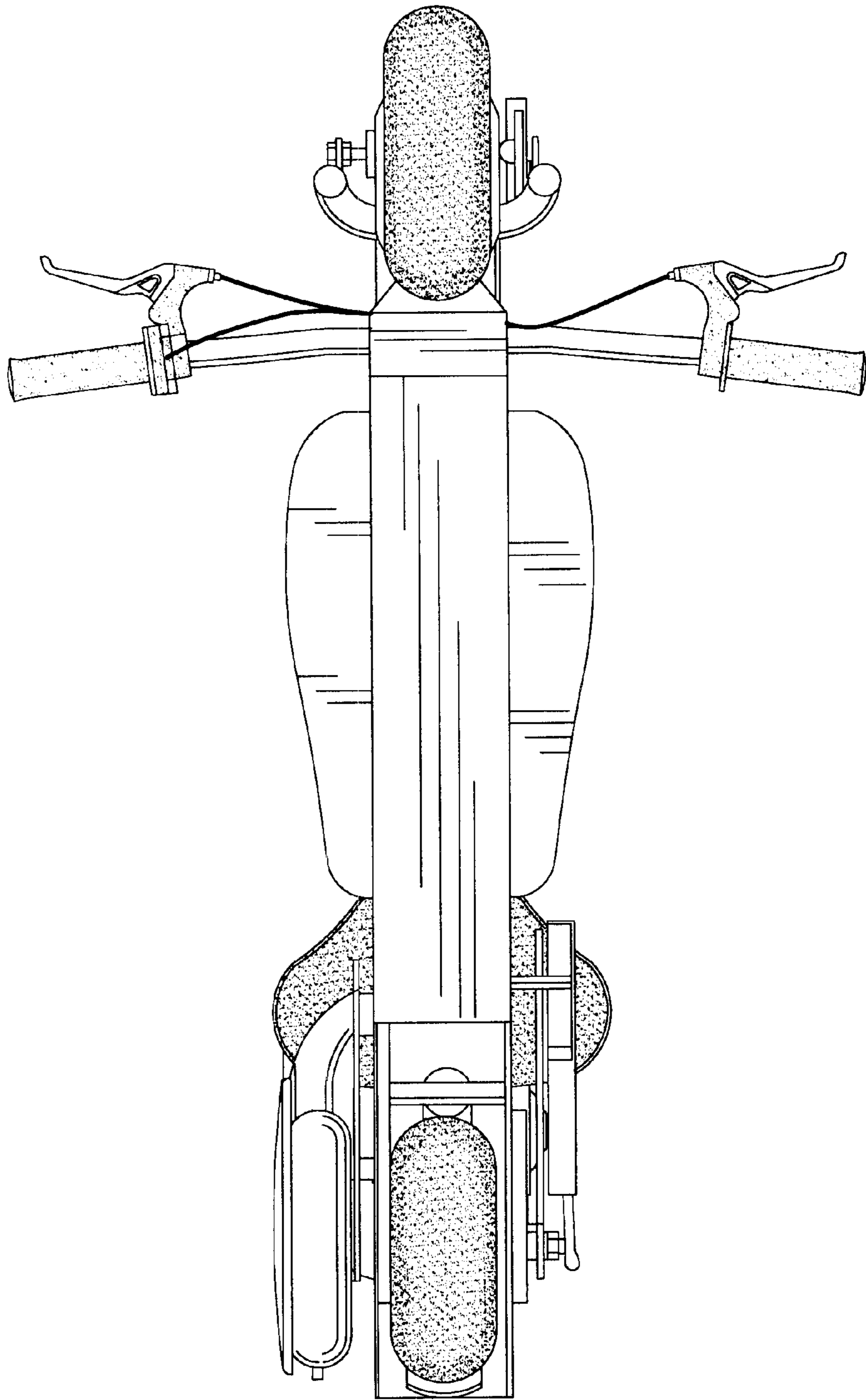


FIG. 7