



US00D479280S

(12) **United States Design Patent**
Shiomi

(10) **Patent No.:** **US D479,280 S**

(45) **Date of Patent:** **** Sep. 2, 2003**

(54) **IMAGE INPUT APPARATUS FOR AN ELECTRONIC GAME MACHINE**

(75) Inventor: **Masashi Shiomi**, Kyoto-fu (JP)

(73) Assignee: **Sharp Kabushiki Kaisha**, Osaka (JP)

(**) Term: **14 Years**

(21) Appl. No.: **29/170,565**

(22) Filed: **Nov. 8, 2002**

(30) **Foreign Application Priority Data**

May 10, 2002 (JP) 2002-012354

(51) **LOC (7) Cl.** **21-01**

(52) **U.S. Cl.** **D21/333**

(58) **Field of Search** D21/324, 333;
D14/400, 401, 496; 273/148 B; 463/1,
29-35, 43-47; 345/156, 905; D13/133,
146

(56) **References Cited**

U.S. PATENT DOCUMENTS

D324,244 S * 2/1992 Stamper et al. D21/333
D333,325 S * 2/1993 So D21/333

D369,352 S * 4/1996 Iwakami D21/333
D372,274 S * 7/1996 Douglas et al. D21/333
D383,801 S * 9/1997 Oikawa D21/333
D419,136 S * 1/2000 Tomizawa D21/333
D441,405 S * 5/2001 Okimoto D21/333
6,517,438 B2 * 2/2003 Tosaki et al. 273/148 B

* cited by examiner

Primary Examiner—Prabhakar Deshmukh

(74) *Attorney, Agent, or Firm*—Nixon & Vanderhye

(57) **CLAIM**

The ornamental design for an “image input apparatus for an electronic game machine”, as shown and described.

DESCRIPTION

FIG. 1 is a front elevational view of an image input apparatus for an electronic game machine according to my design;

FIG. 2 is a rear elevational view thereof;

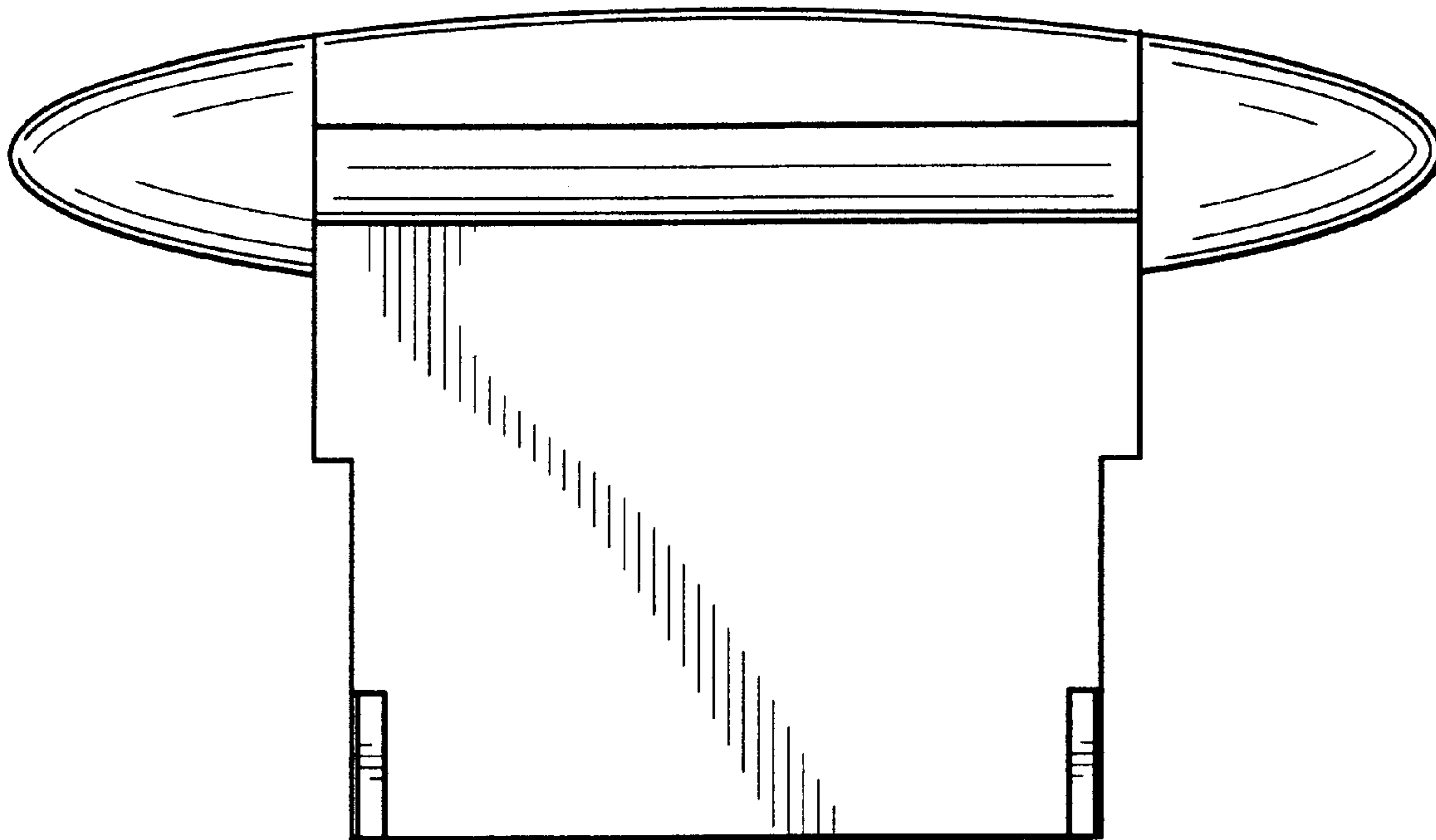
FIG. 3 is a top plan view thereof;

FIG. 4 is a bottom plan view thereof;

FIG. 5 is a right side elevational view thereof; and,

FIG. 6 is a left side elevational view thereof.

1 Claim, 2 Drawing Sheets



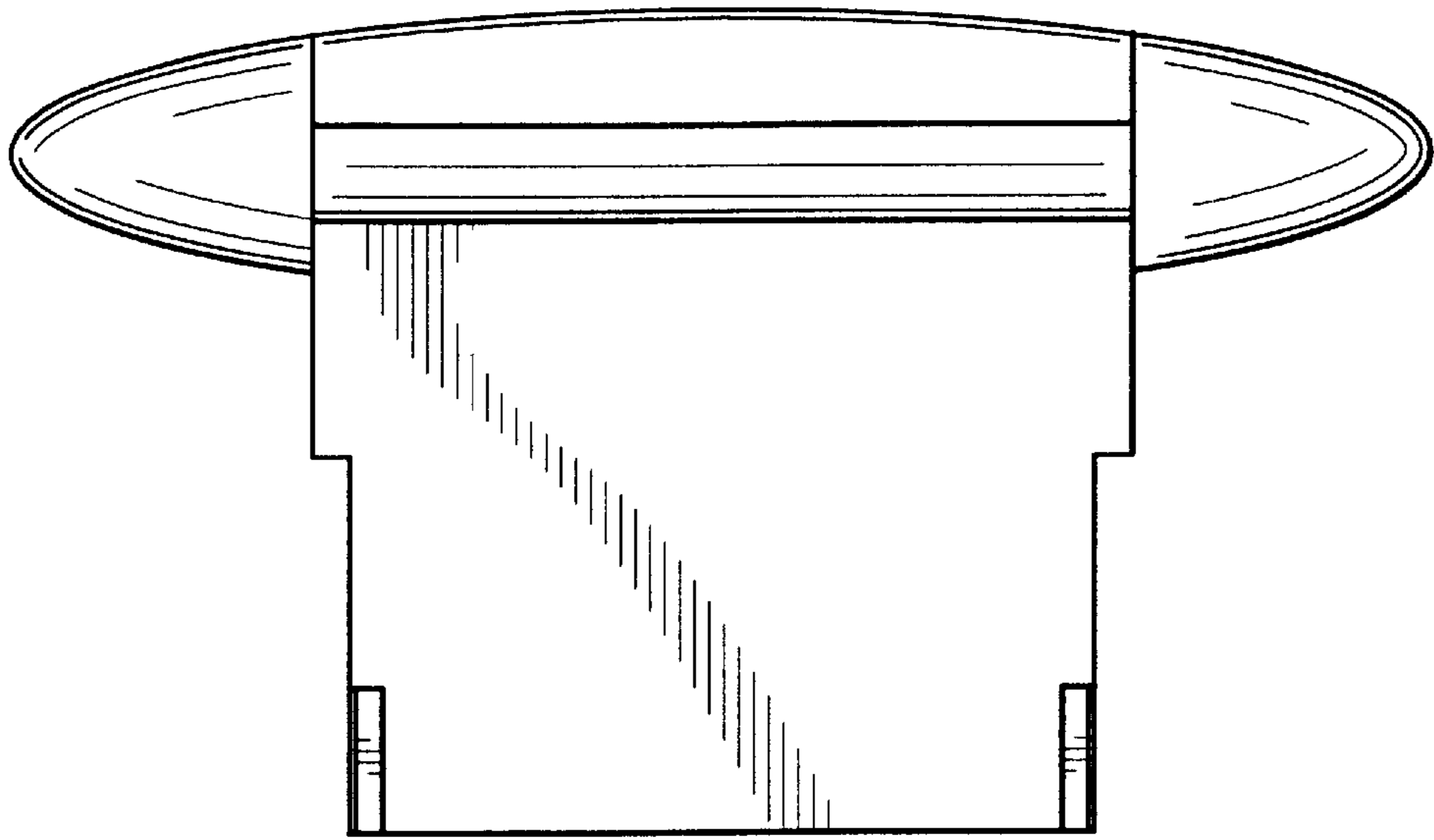


Fig.1

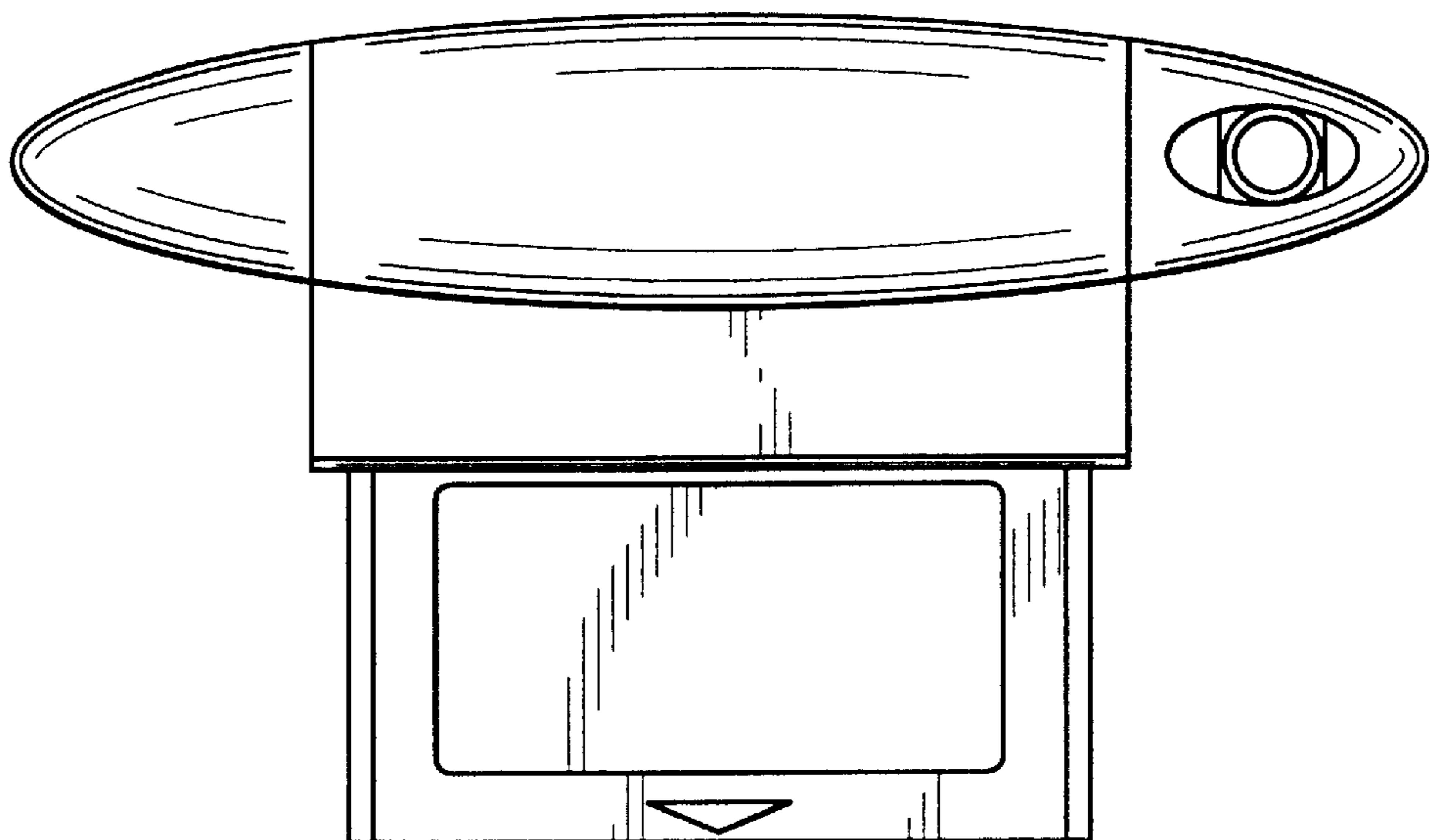


Fig.2

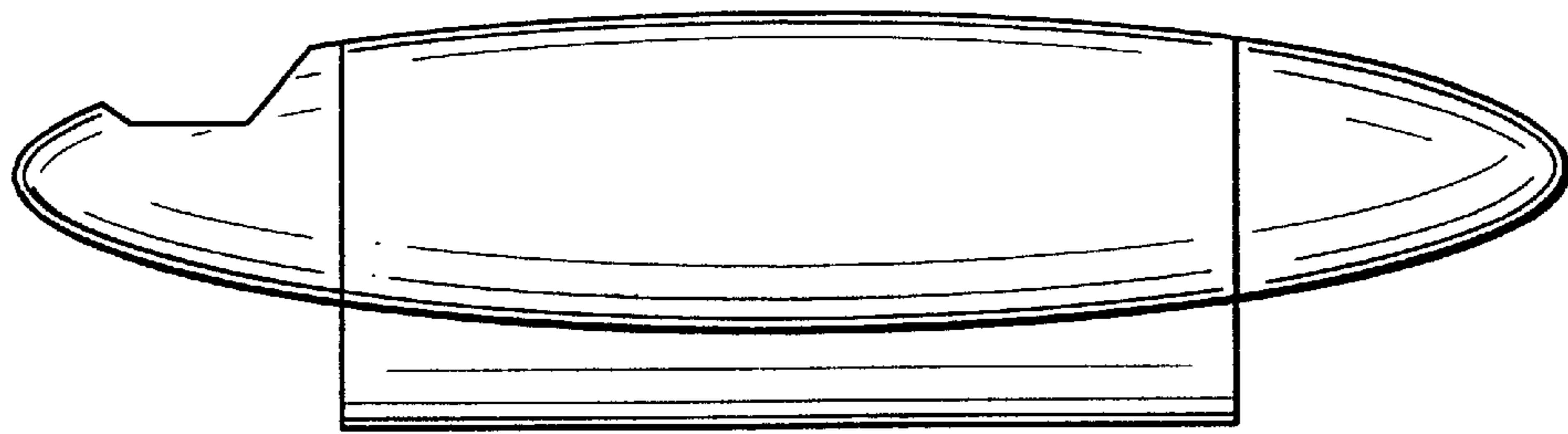


Fig.3

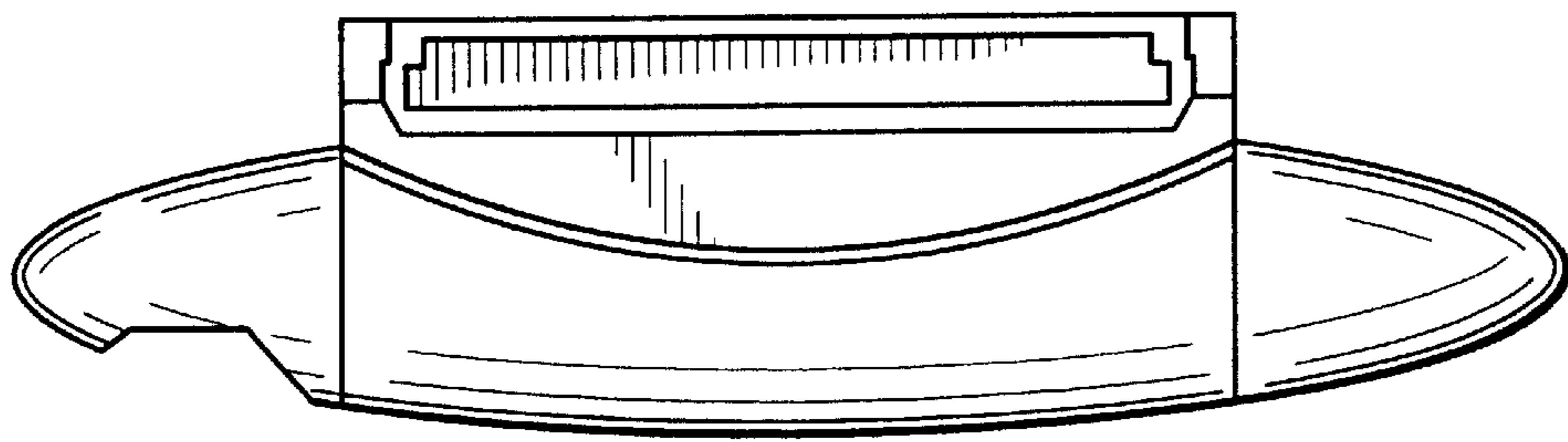


Fig.4

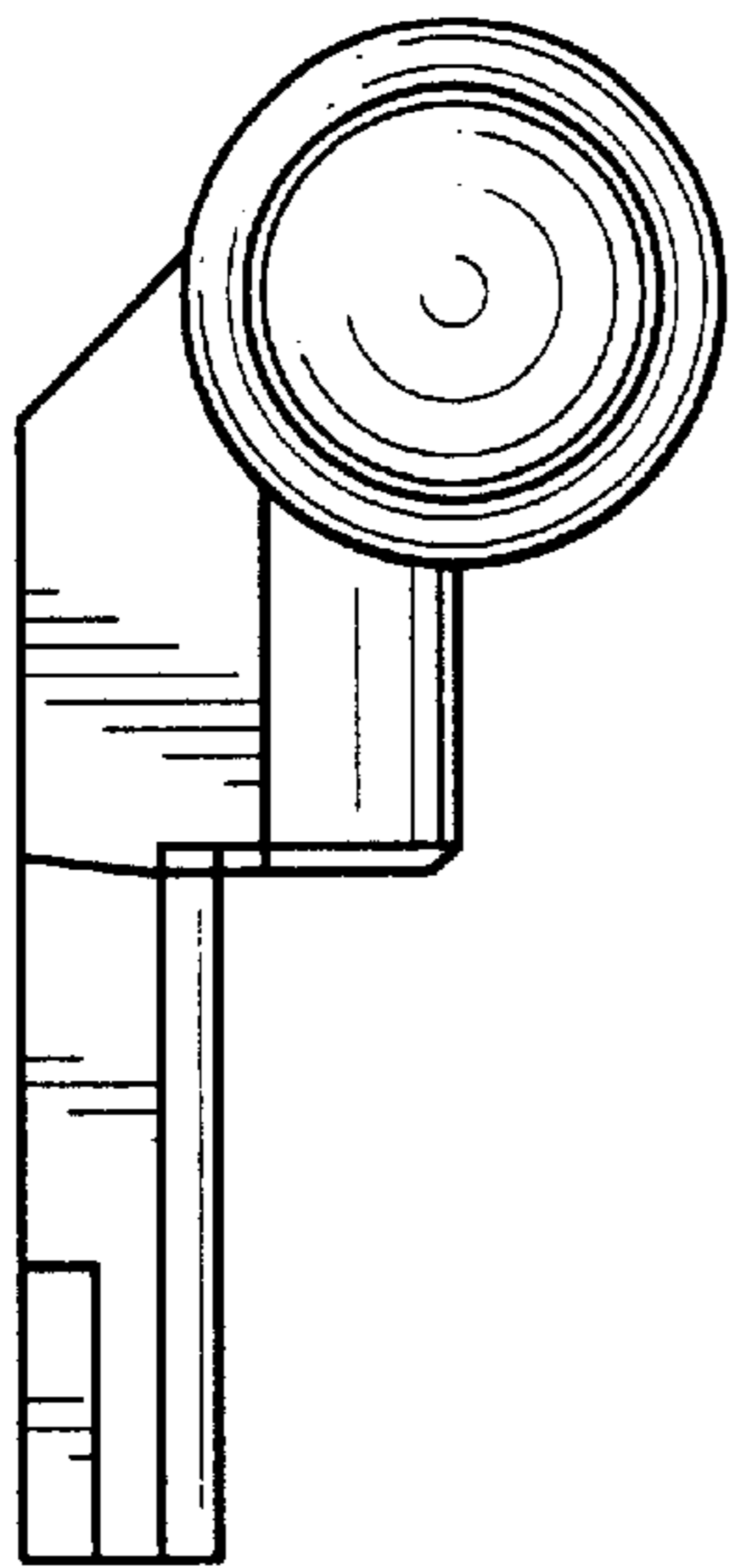


Fig.5

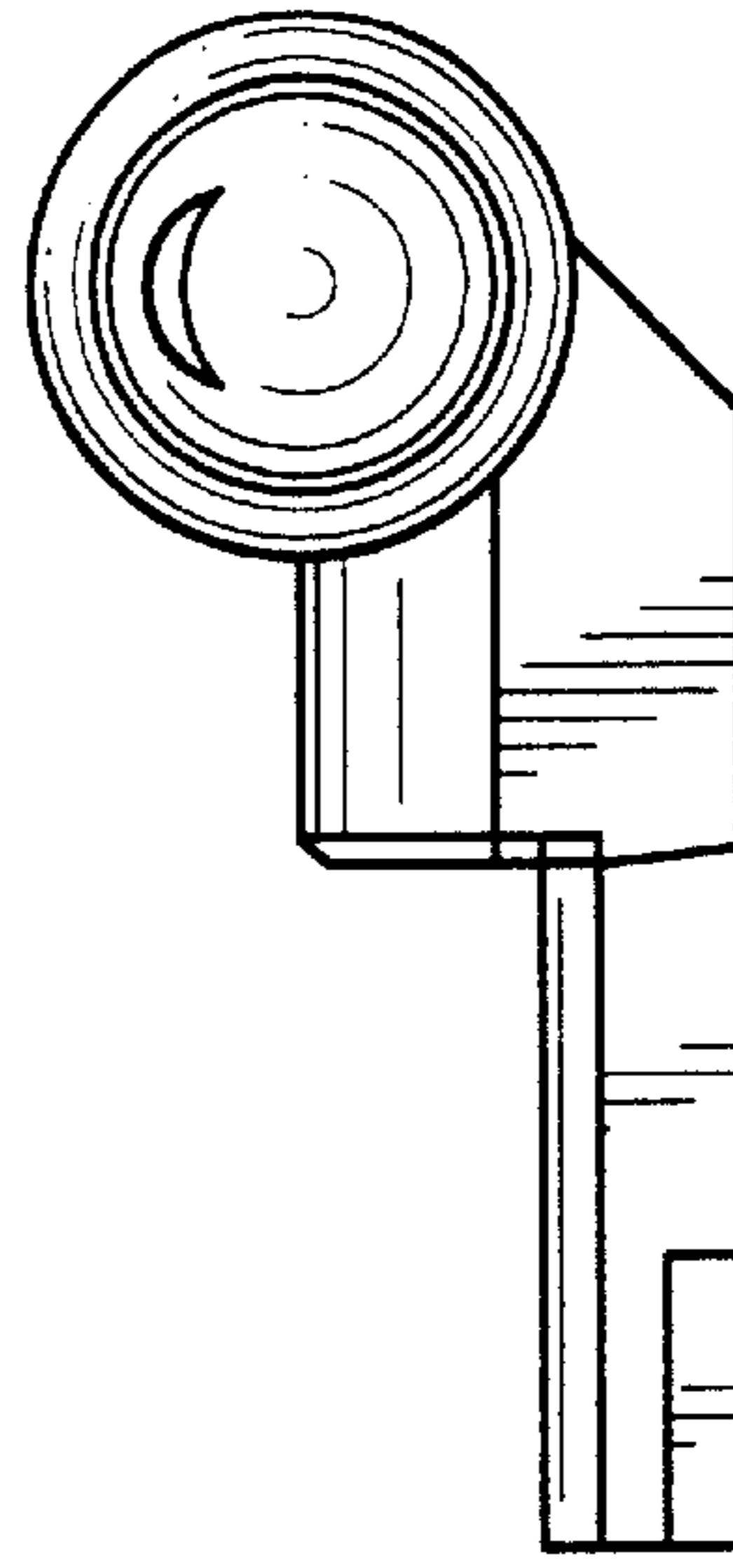


Fig.6