



US00D479279S

(12) **United States Design Patent**
Kessler, Jr. et al.

(10) **Patent No.:** **US D479,279 S**
(45) **Date of Patent:** **** Sep. 2, 2003**

(54) **STACKABLE WASHER TOSSING GAME**

(76) **Inventors:** **James Lloyd Kessler, Jr.**, 2414 Cannery Ct., Imperial, MO (US) 63052; **Arthur L. Loeffelman**, 8 Daybreak, St. Louis, MO (US) 63128; **Arthur Lance Loeffelman**, 12814 Gravois Rd., St. Louis, MO (US) 63127

(**) **Term:** **14 Years**

(21) **Appl. No.:** **29/160,870**

(22) **Filed:** **May 16, 2002**

(51) **LOC (7) Cl.** **21-01**

(52) **U.S. Cl.** **D21/303**

(58) **Field of Search** D21/302, 303, D21/304; 273/348, 343, 398, 400-402, 407, 338, 336

(56) **References Cited**

U.S. PATENT DOCUMENTS

324,189 A	8/1885	Thomas	
972,597 A	10/1910	Byl	
3,628,793 A	12/1971	Mudloff	
3,822,063 A *	7/1974	Rea	273/400
4,169,596 A *	10/1979	Chinenson	273/401
4,243,229 A	1/1981	Huser et al.	
4,392,653 A *	7/1983	Blume, Sr.	273/400
D301,899 S *	6/1989	Cook	D21/303
4,982,966 A *	1/1991	Teafatiller	273/336
4,989,880 A	2/1991	Gettemeier	
5,050,889 A	9/1991	Walker	
5,056,797 A	10/1991	Hockert et al.	

5,060,955 A	10/1991	Bible	
5,123,656 A *	6/1992	Green	273/400
D329,666 S *	9/1992	Dougherty	D21/303
5,201,527 A	4/1993	Koket	
D341,381 S *	11/1993	Niebling	D21/304
5,290,040 A *	3/1994	Boroski	273/400
5,351,968 A	10/1994	Starnes	
5,533,734 A	7/1996	Husk	
5,553,862 A	9/1996	Konotopsky	
D378,687 S *	4/1997	Clark et al.	D21/304
D388,127 S *	12/1997	Cavallone, Sr.	D21/304
5,882,010 A	3/1999	Geror	
6,161,833 A	12/2000	Gomez	

* cited by examiner

Primary Examiner—Prabhakar Deshmukh

(74) *Attorney, Agent, or Firm*—Kevin L. Klug

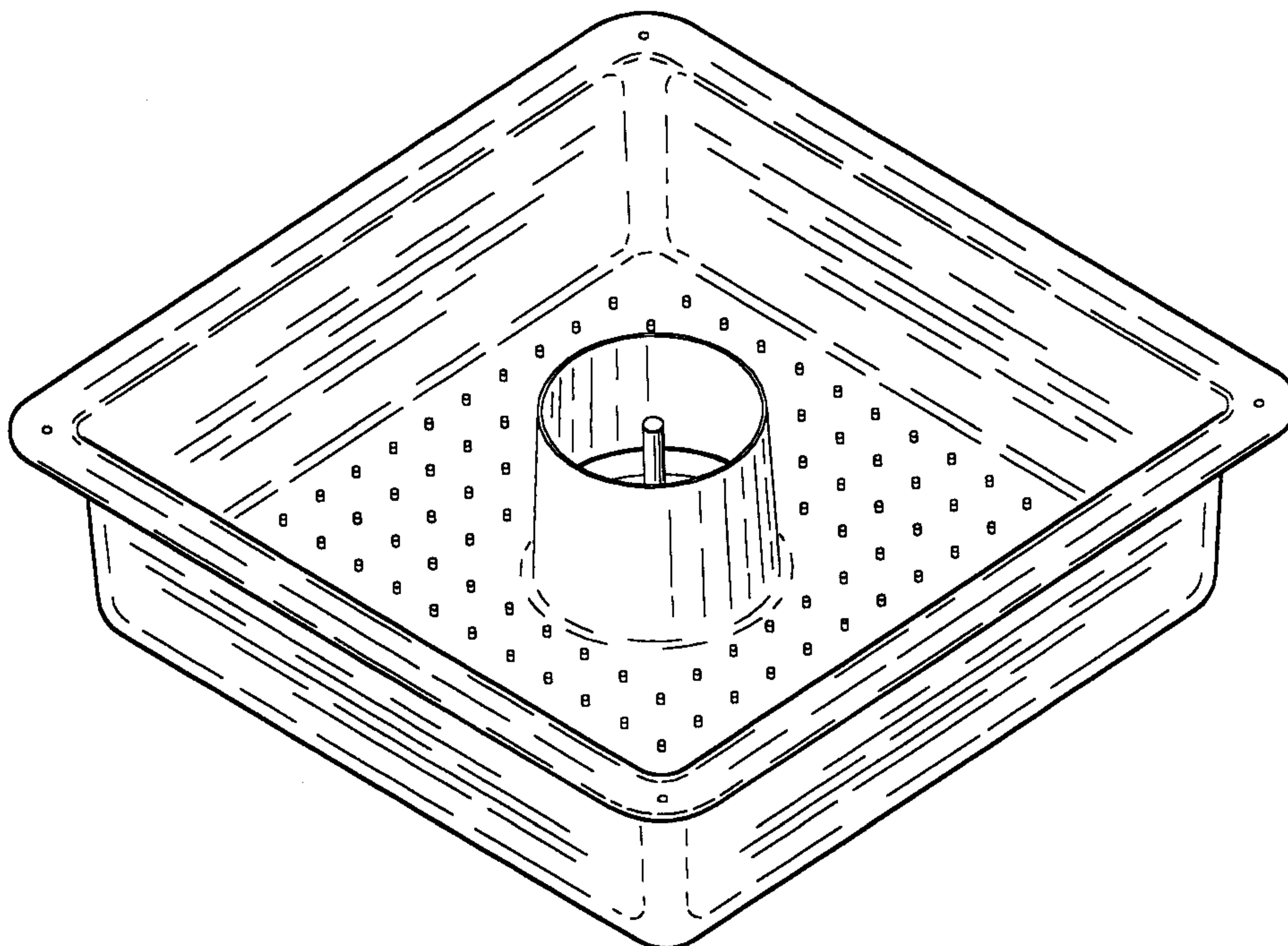
(57) **CLAIM**

The ornamental design for a stackable washer tossing game, as shown and described.

DESCRIPTION

FIG. 1 is a perspective view of a stackable washer tossing game showing our new design; FIG. 2 is a top plan view thereof; FIG. 3 is a bottom plan view thereof; FIG. 4 is a right side elevational view thereof; the left side elevational view being a mirror image thereof; and, FIG. 5 is a perspective view thereof; with the game shown in a stackable position; the broken line showing of the upper game unit is for illustrative purpose only and forms no part of the claimed design.

1 Claim, 5 Drawing Sheets



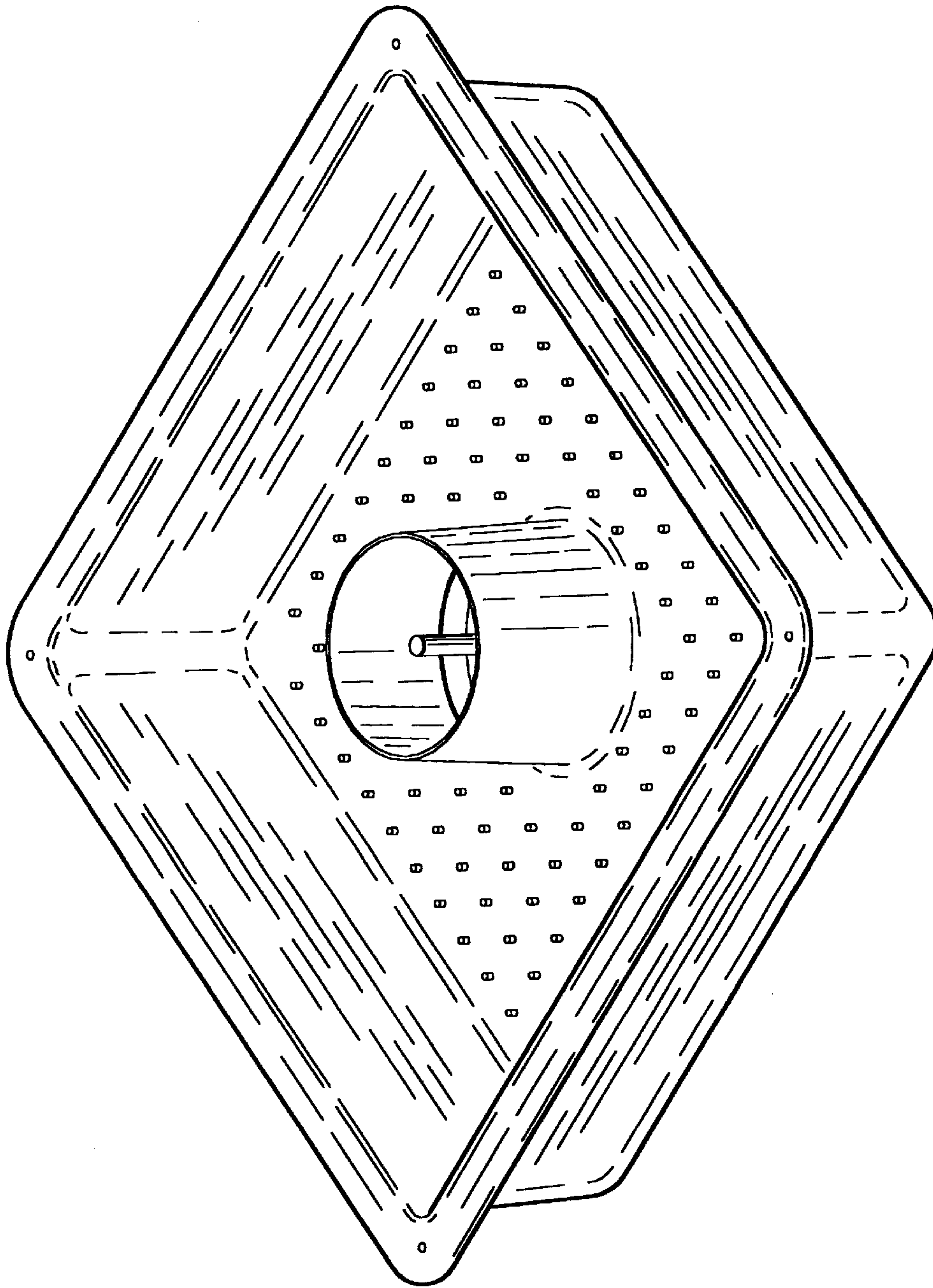


FIG. 1

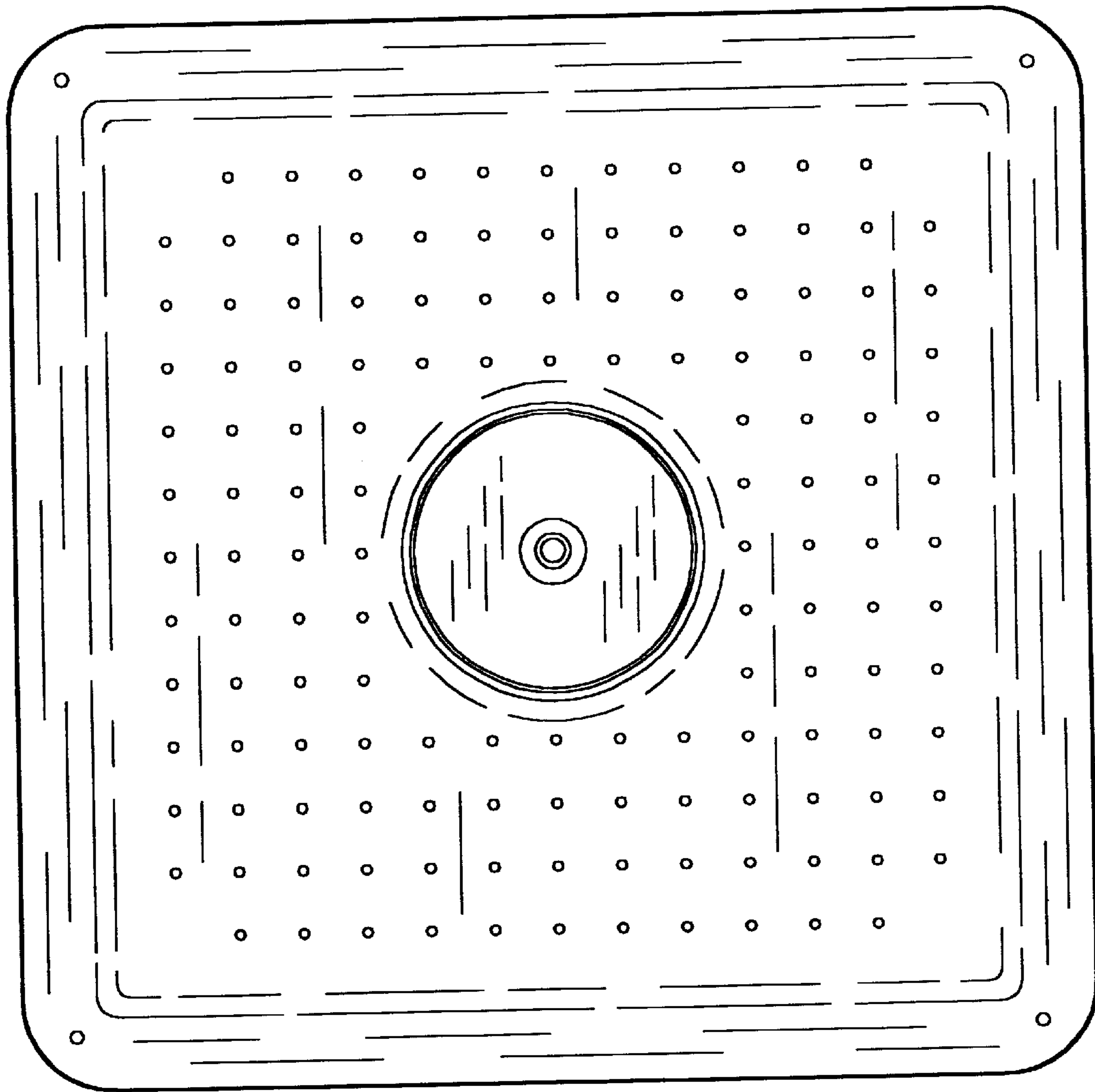


FIG. 2

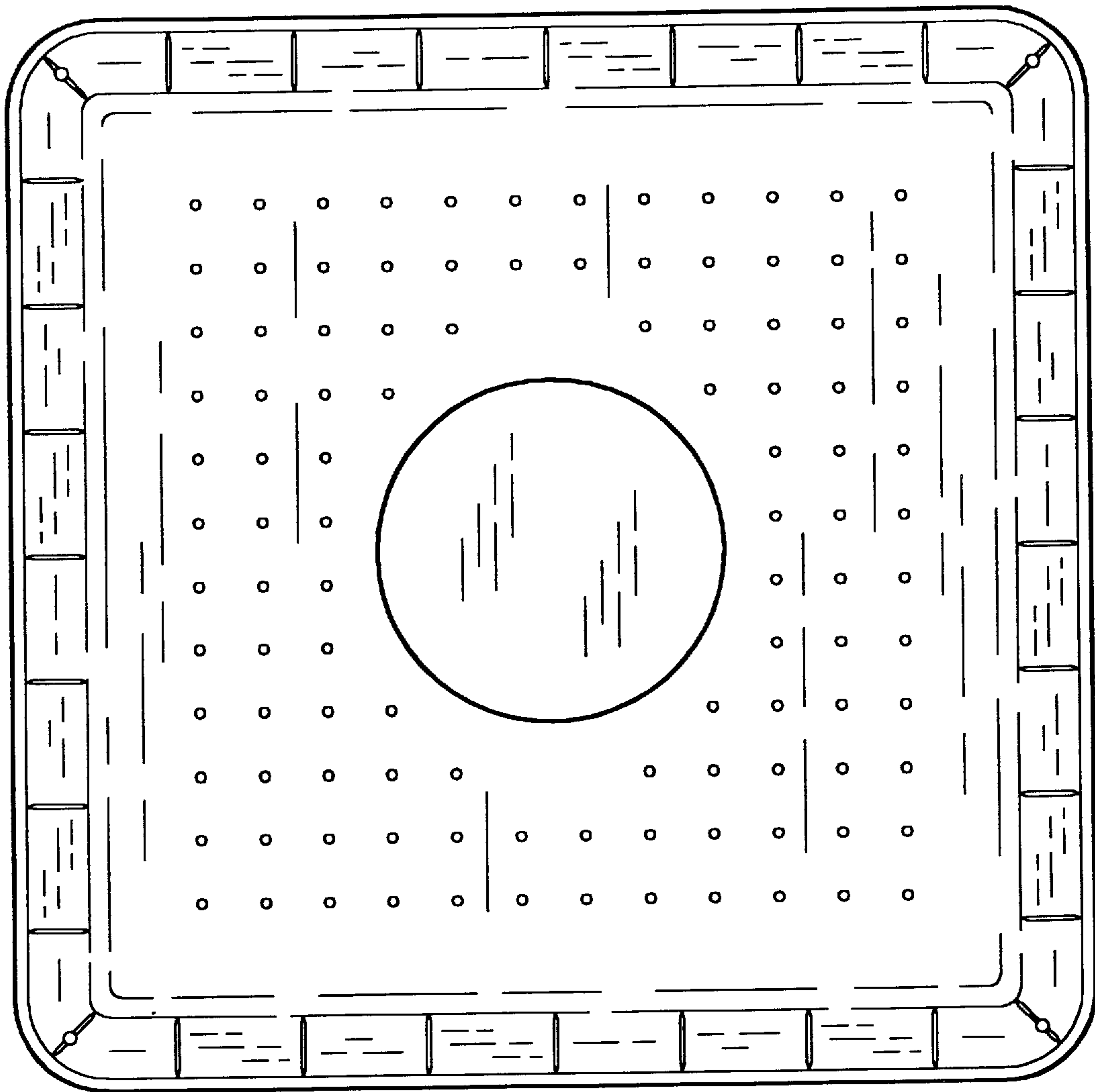


FIG. 3

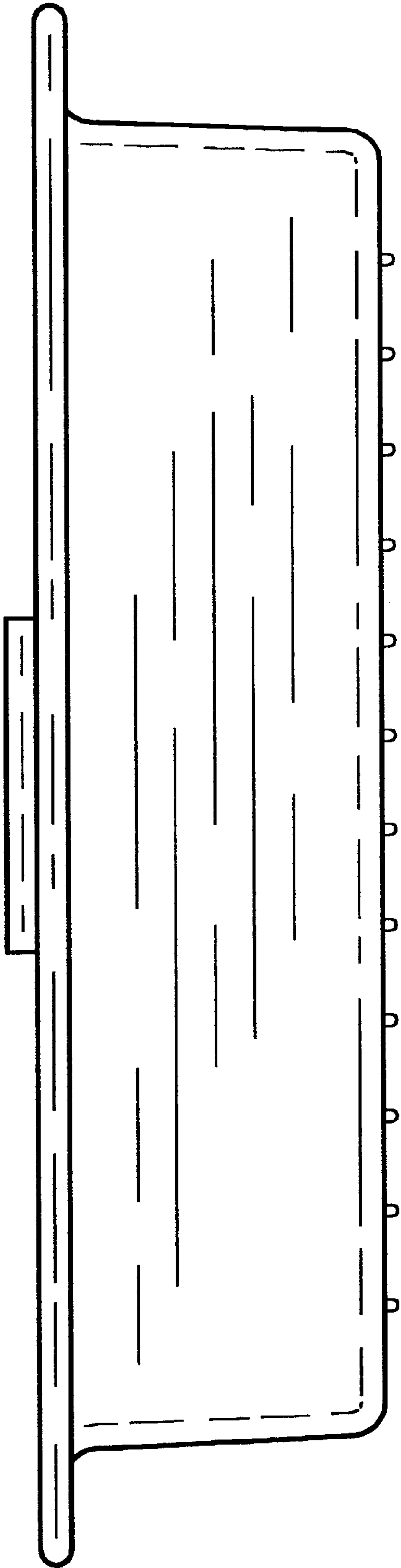


FIG. 4

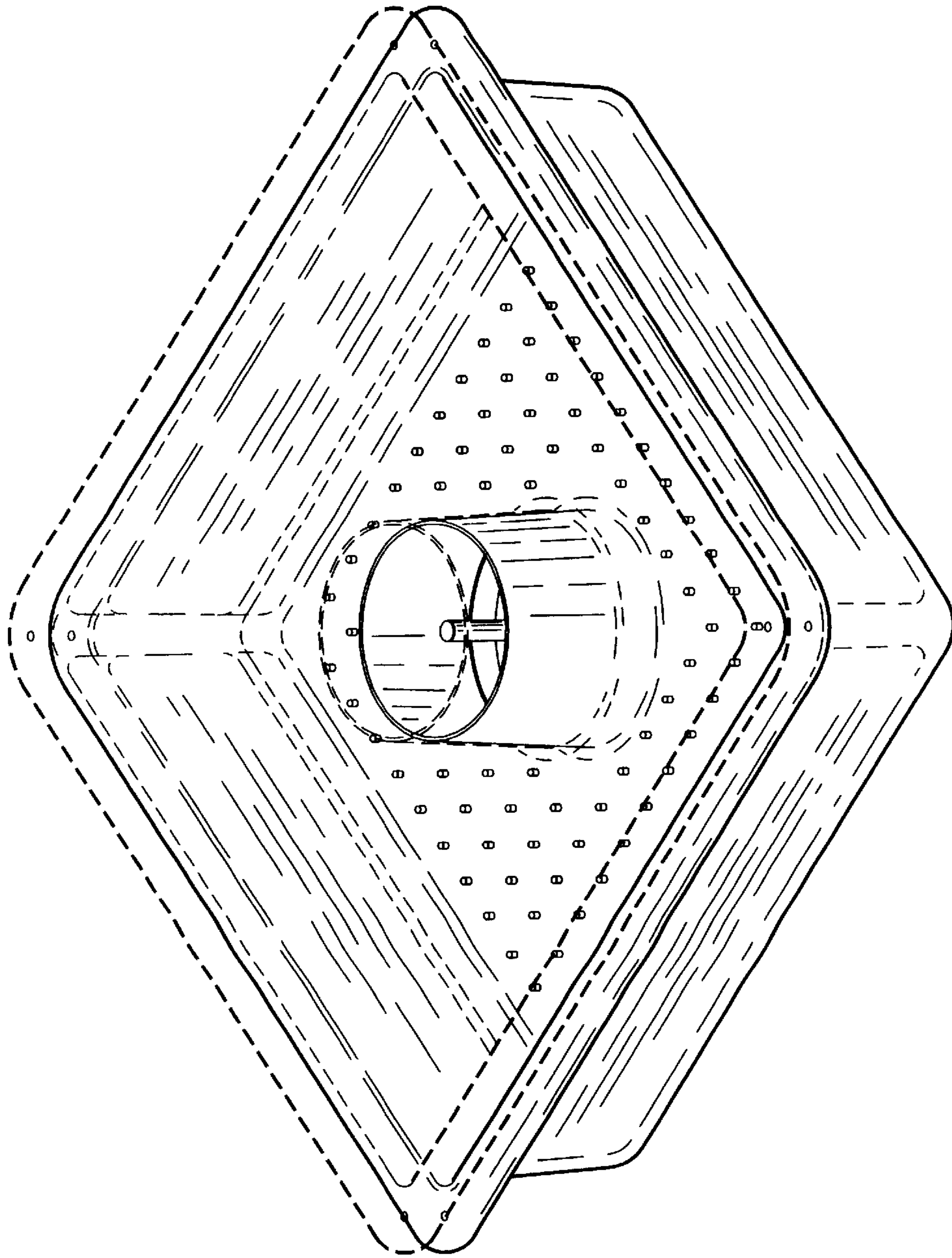


FIG. 5