



US00D479278S

(12) **United States Design Patent**
Nagel

(10) **Patent No.:** **US D479,278 S**

(45) **Date of Patent:** **** Sep. 2, 2003**

(54) **MULTIPLE POCKET LABEL HOLDER**

(75) Inventor: **Thomas O. Nagel**, Blairstown, NJ (US)

(73) Assignee: **Trion Industries, Inc.**, Wilkes-Barre, PA (US)

(**) Term: **14 Years**

(21) Appl. No.: **29/126,867**

(22) Filed: **Jul. 25, 2000**

(51) **LOC (7) Cl.** **20-02**

(52) **U.S. Cl.** **D20/43**

(58) **Field of Search** D20/10, 39, 40,
D20/42, 43, 44; 40/1, 1.5, 1.6, 642.02,
643, 644, 649, 650, 653, 658, 661.06, 662

(56) **References Cited**

U.S. PATENT DOCUMENTS

D296,569 S	*	7/1988	Vela	D20/43
D422,643 S	*	4/2000	Goslin et al.	D20/43
D425,566 S	*	5/2000	Mueller et al.	D20/43
D426,584 S	*	6/2000	Czalkiewicz	D20/43
D443,311 S	*	6/2001	Wildrick	D20/43

* cited by examiner

Primary Examiner—Marcus A. Jackson

(74) *Attorney, Agent, or Firm*—Schweitzer Cornman Gross & Bondell LLP

(57) **CLAIM**

The ornamental design for a multiple pocket label holder, as shown and described.

DESCRIPTION

FIG. 1 is a bottom and front perspective view of a first embodiment of the multiple pocket label holder of the invention, formed of all-transparent material.

FIG. 2 is a top and back perspective view thereof.

FIG. 3 is a bottom and front perspective view of a second embodiment of the multiple pocket label holder, formed with a colored upper back panel.

FIG. 4 is a top and back perspective view of the embodiment of FIG. 3.

FIG. 5 is a bottom and front perspective view of a third embodiment of the multiple pocket label holder, formed of all transparent material.

FIG. 6 is a top and back perspective view of the embodiment of FIG. 5.

FIG. 7 is a bottom and front perspective view of a fourth embodiment of the multiple pocket label holder, being a modified form of the embodiment of FIG. 5, provided with an upper back panel of colored material.

FIG. 8 is a top and back perspective view of the embodiment of FIG. 7.

FIG. 9 is a bottom and front perspective view of a fifth embodiment of the multiple pocket label holder, formed of all-transparent material.

FIG. 10 is a top and back perspective view of the embodiment of FIG. 9.

FIG. 11 is a bottom and front perspective view of a sixth embodiment of the multiple pocket label holder, being a modified form of the embodiment of FIG. 9, formed with an upper back panel of colored material.

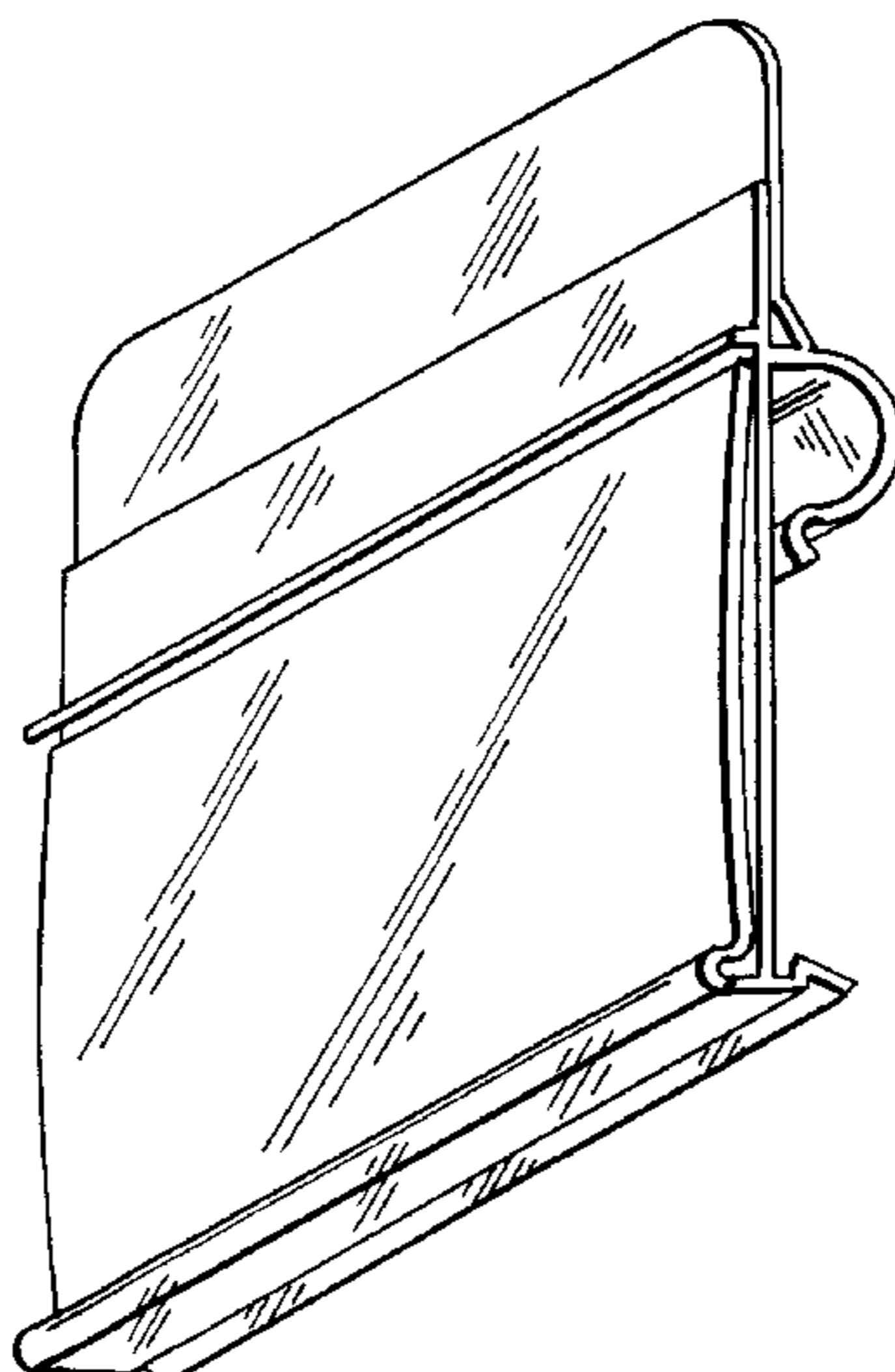
FIG. 12 is a top and back perspective view of the embodiment of FIG. 11.

FIG. 13 is a bottom and front perspective view of a seventh embodiment of the multiple pocket label holder, being a further modified form of the embodiment of FIG. 9, formed with a back panel of colored material; and,

FIG. 14 is a top and back perspective view of the embodiment of FIG. 13.

In all views, the stippling indicates color, but not a particular color.

1 Claim, 14 Drawing Sheets



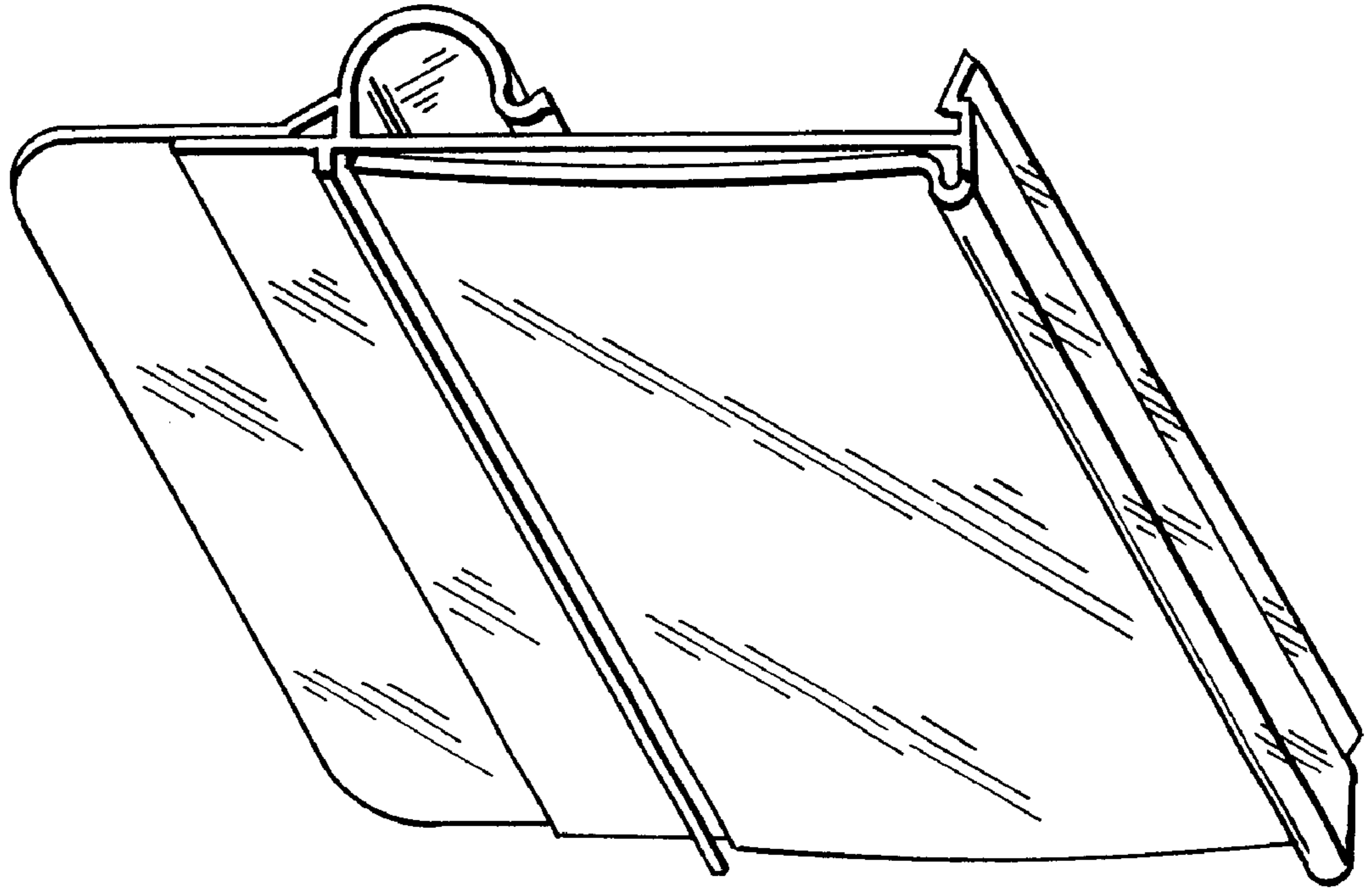


FIG. 1

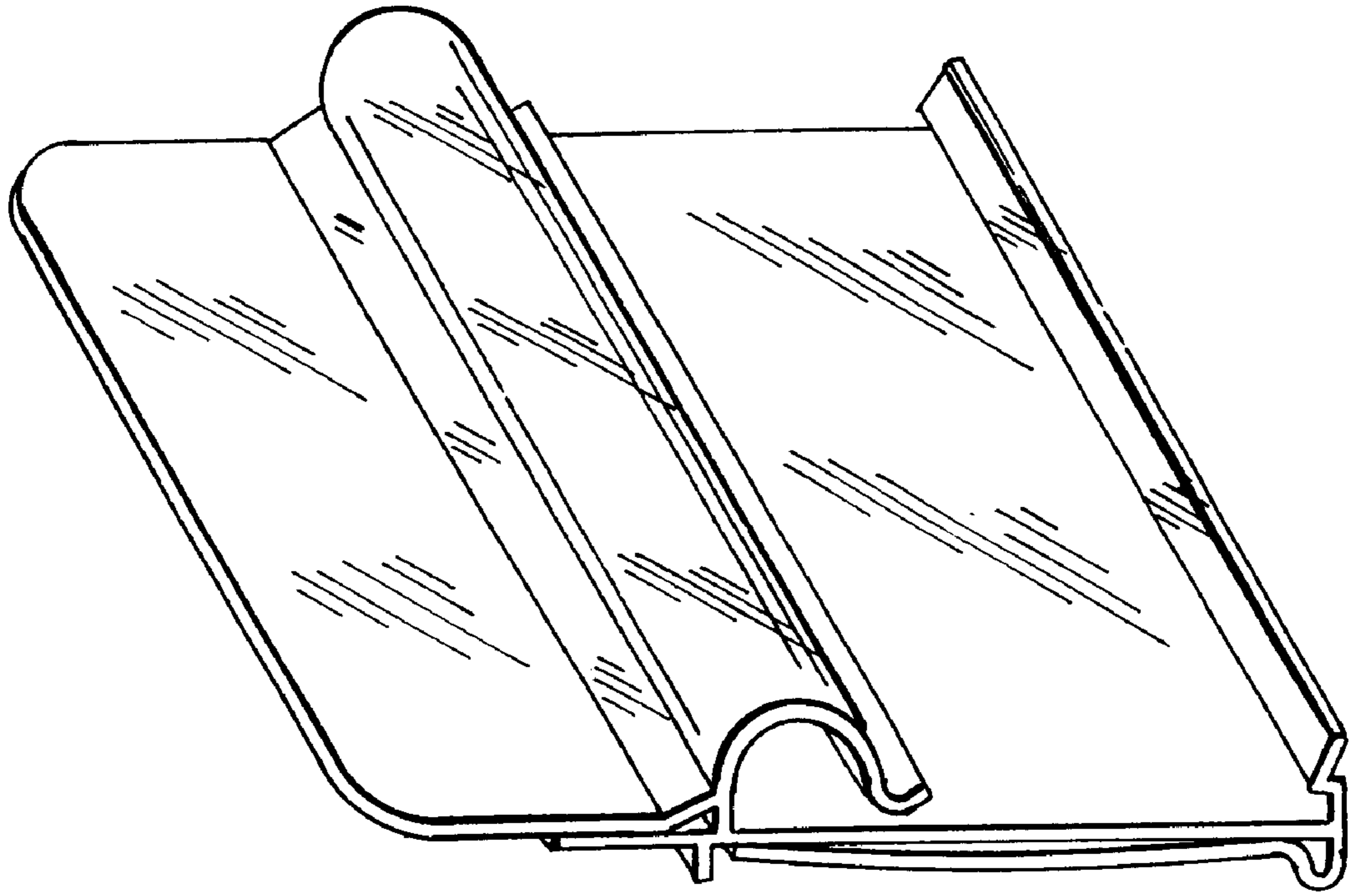


FIG. 2

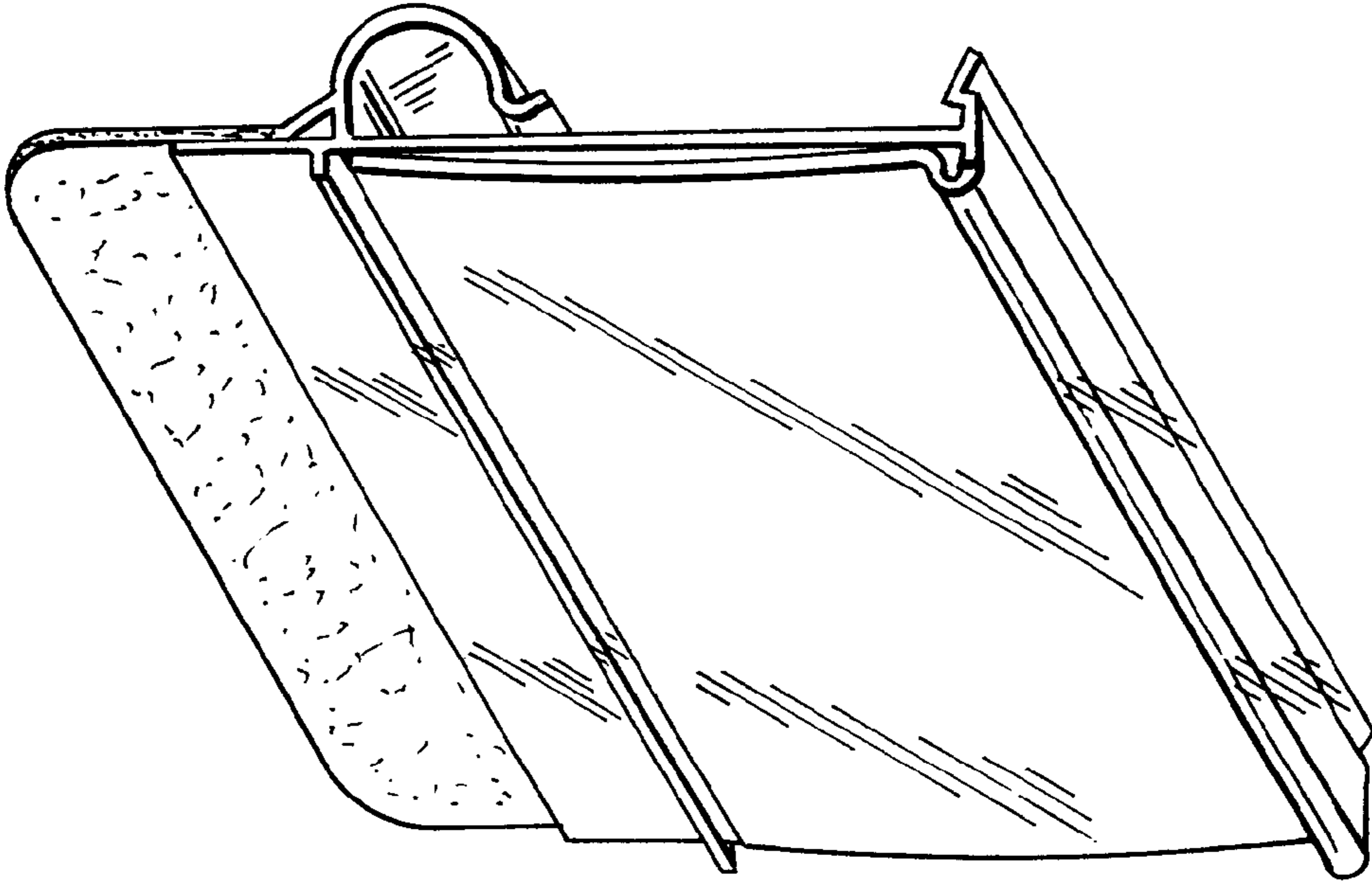


FIG. 3

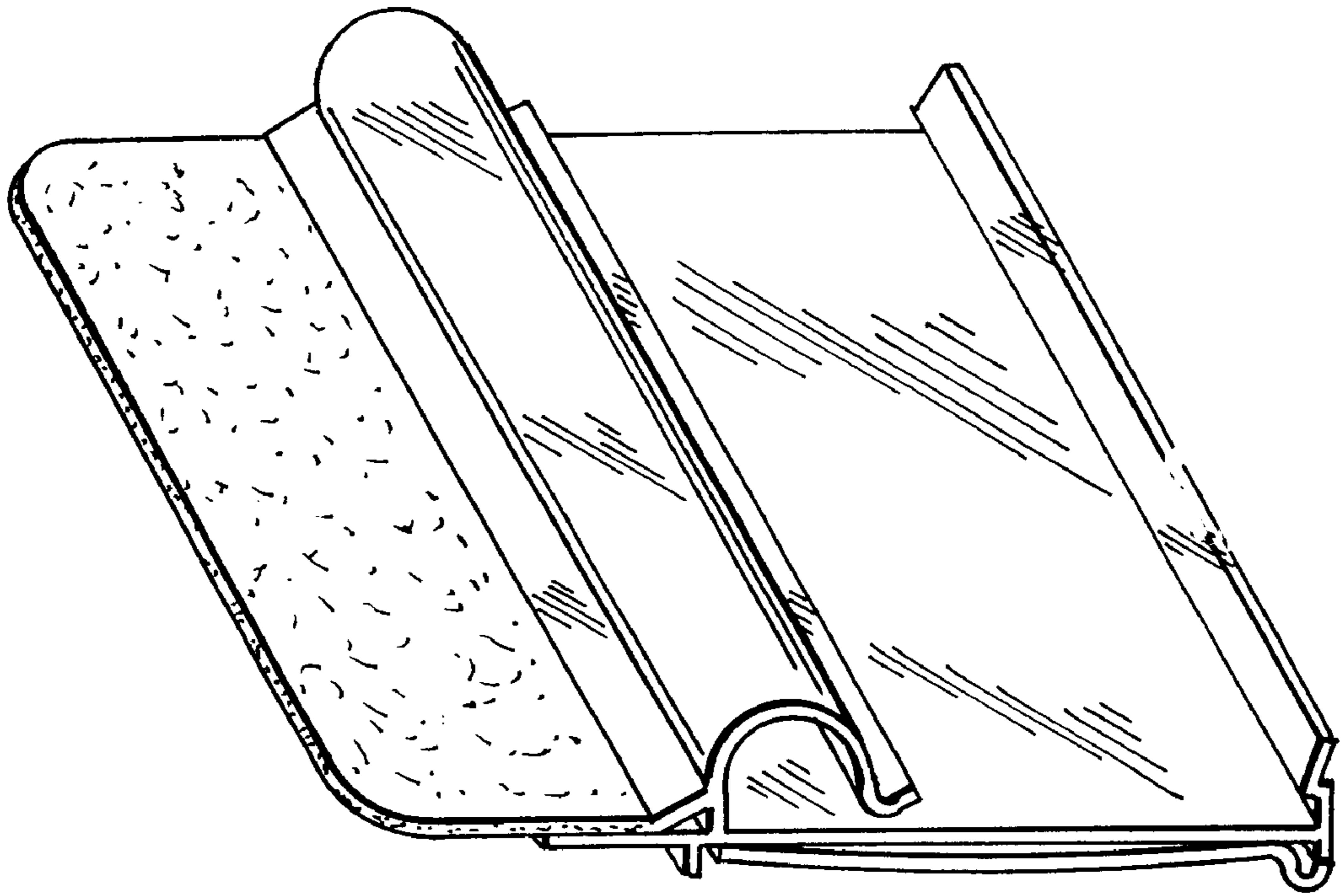


FIG. 4

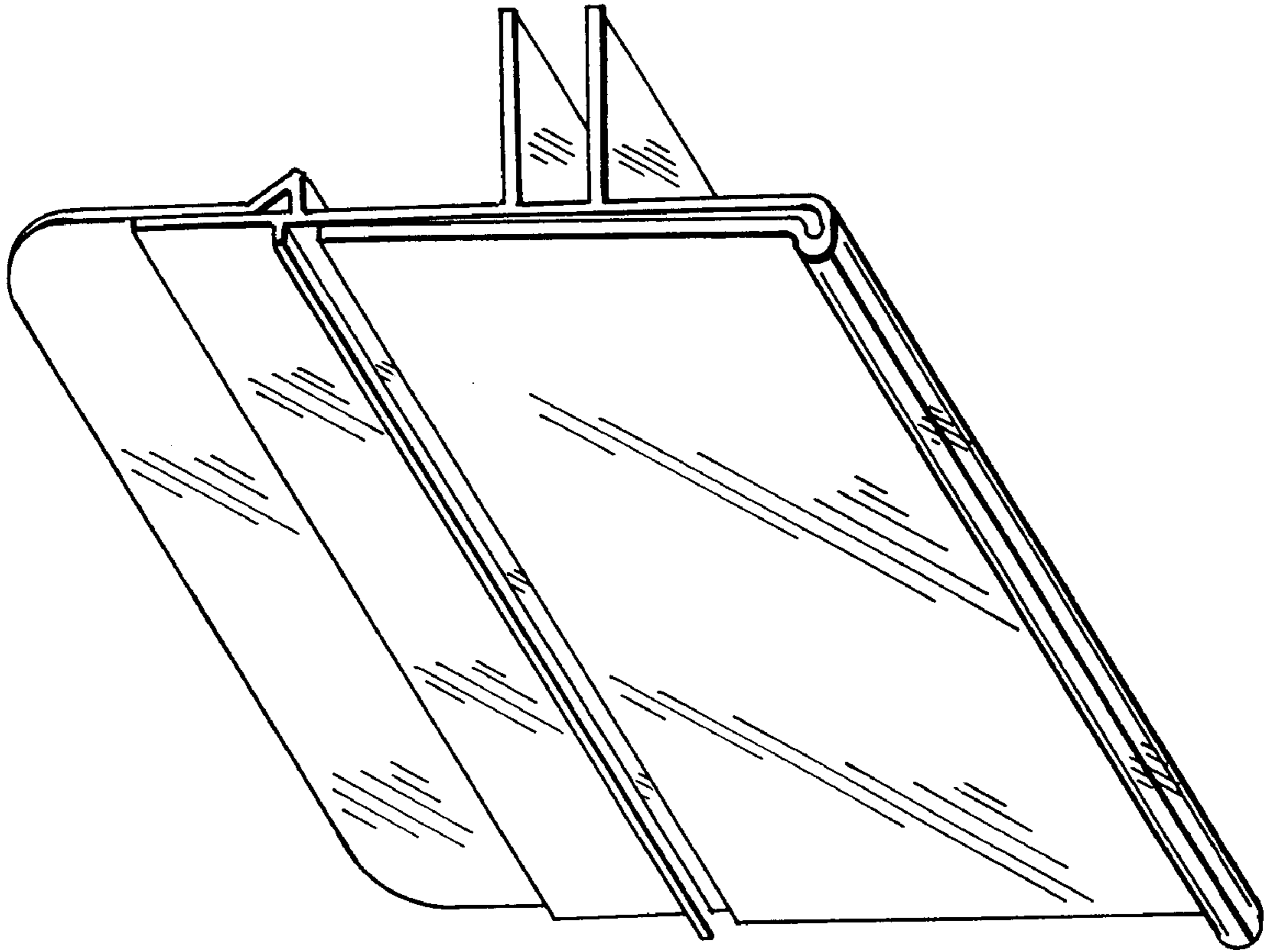


FIG. 5

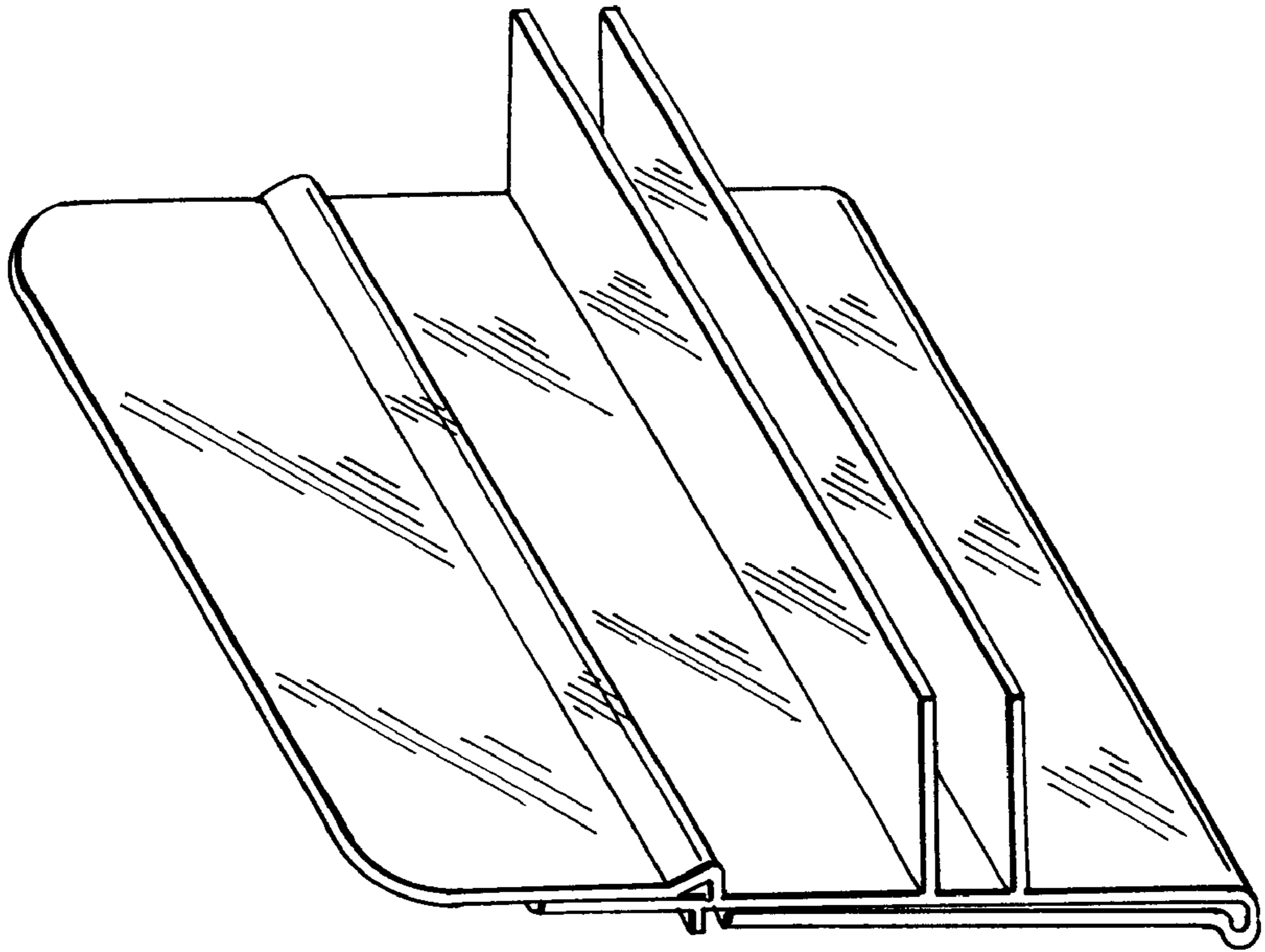


FIG. 6

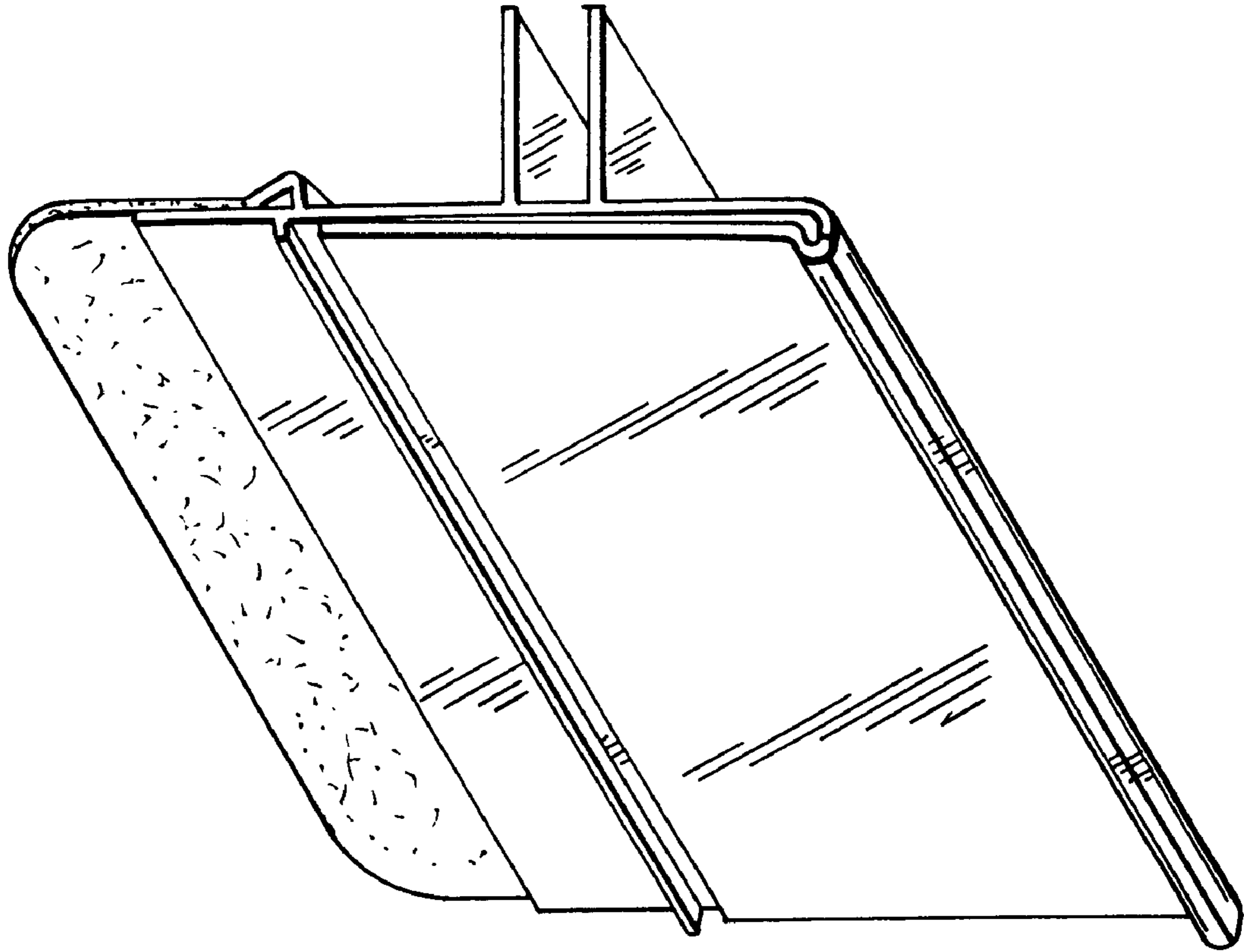


FIG. 7

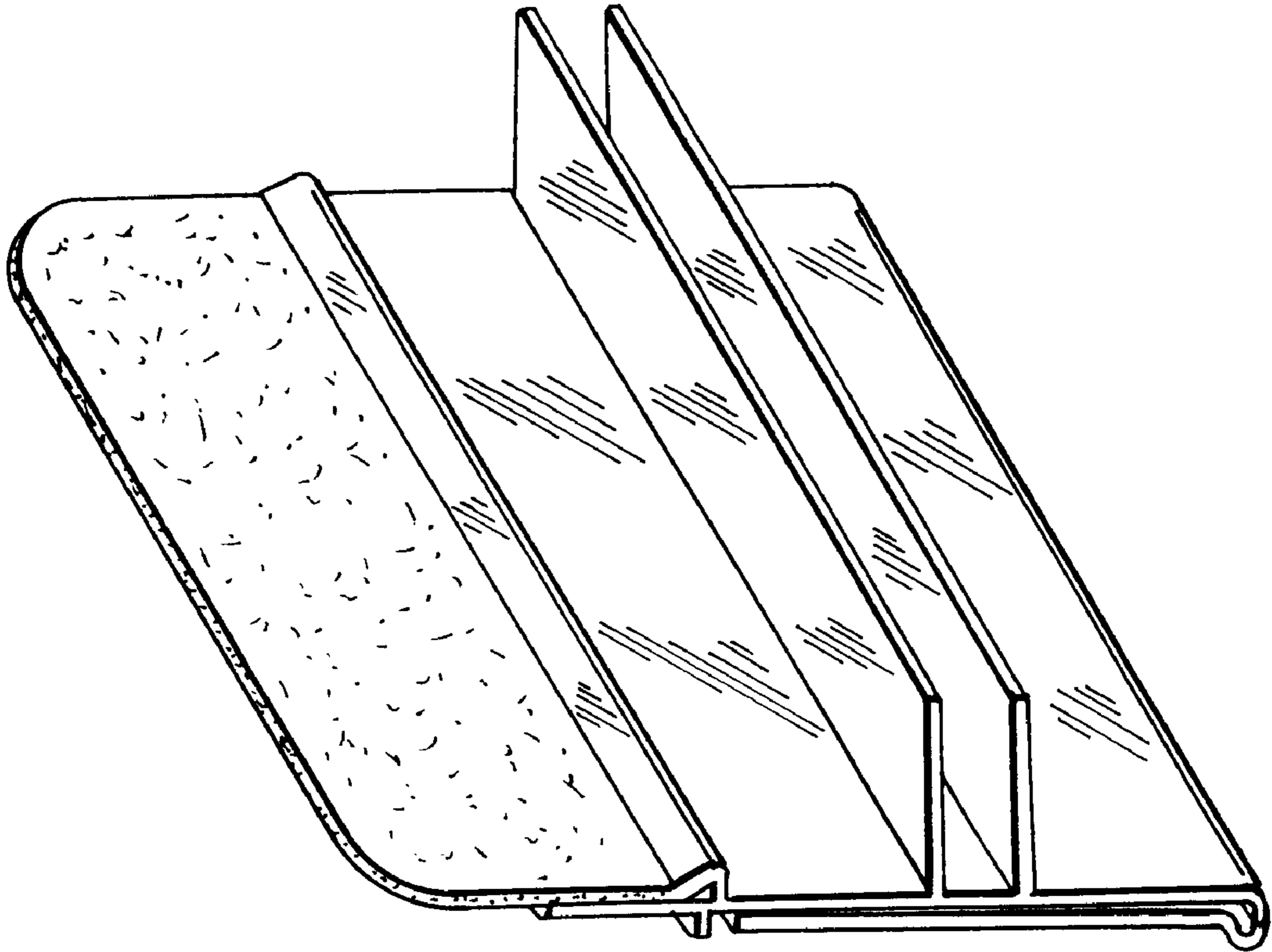


FIG. 8

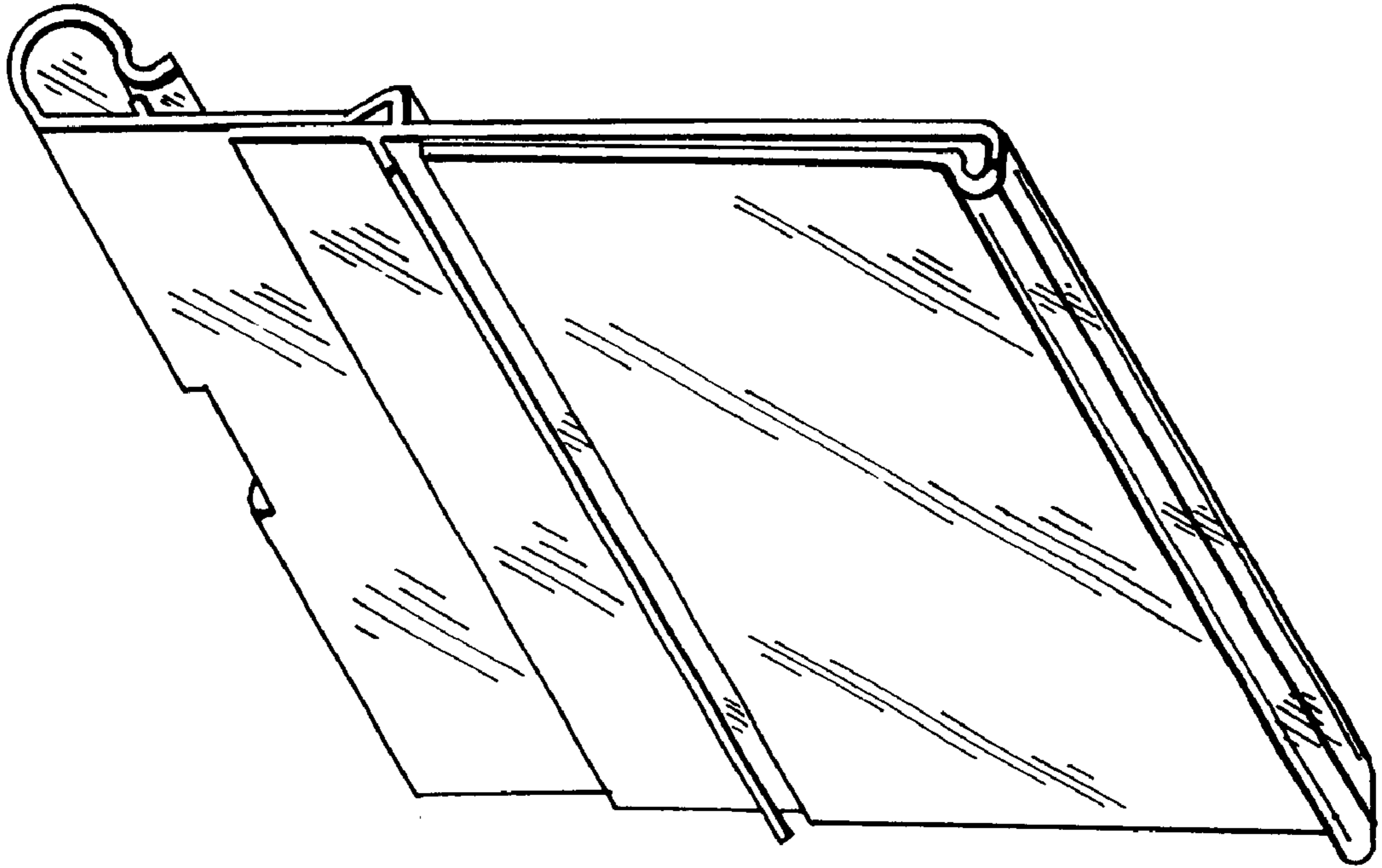


FIG. 9

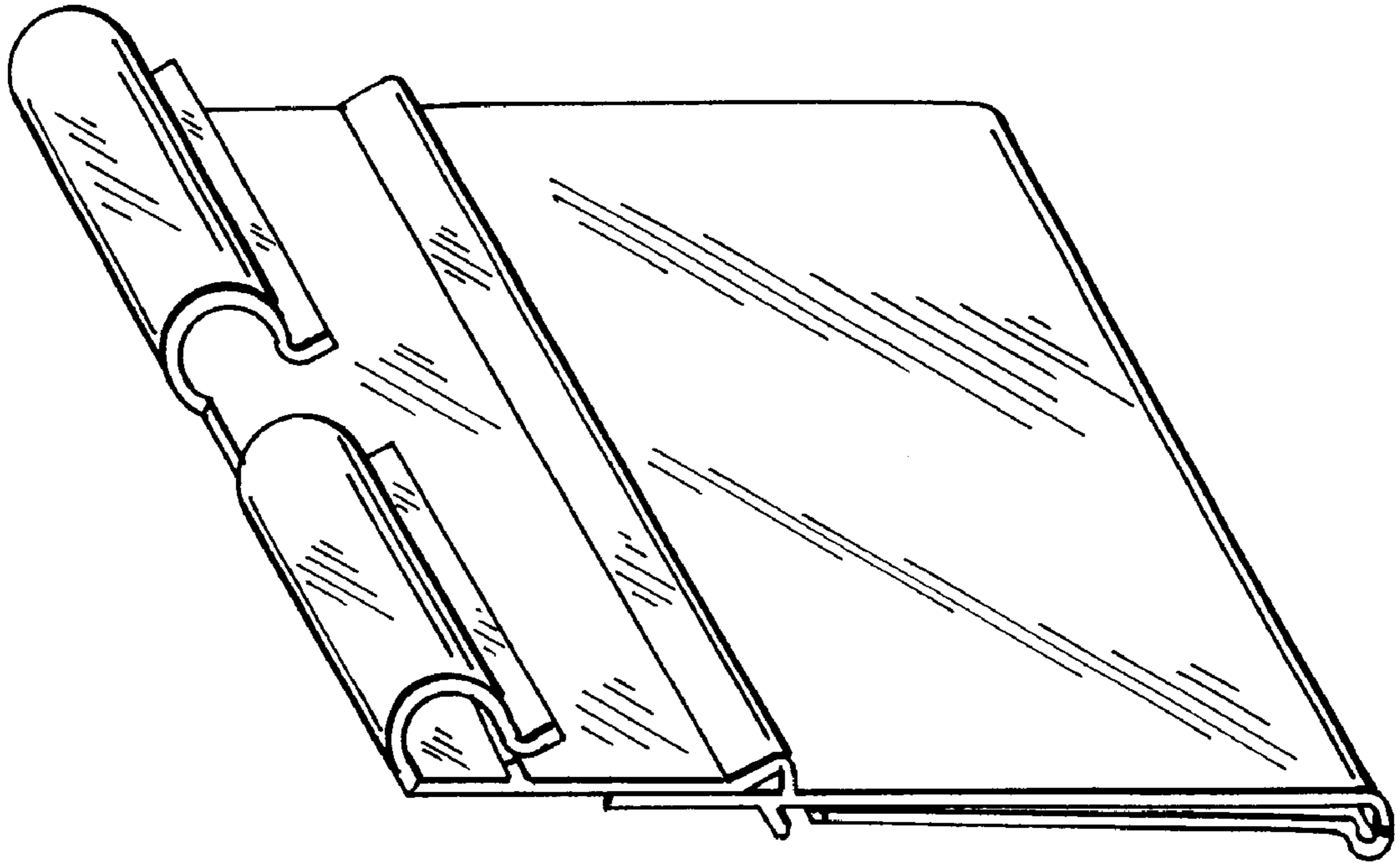


FIG. 10

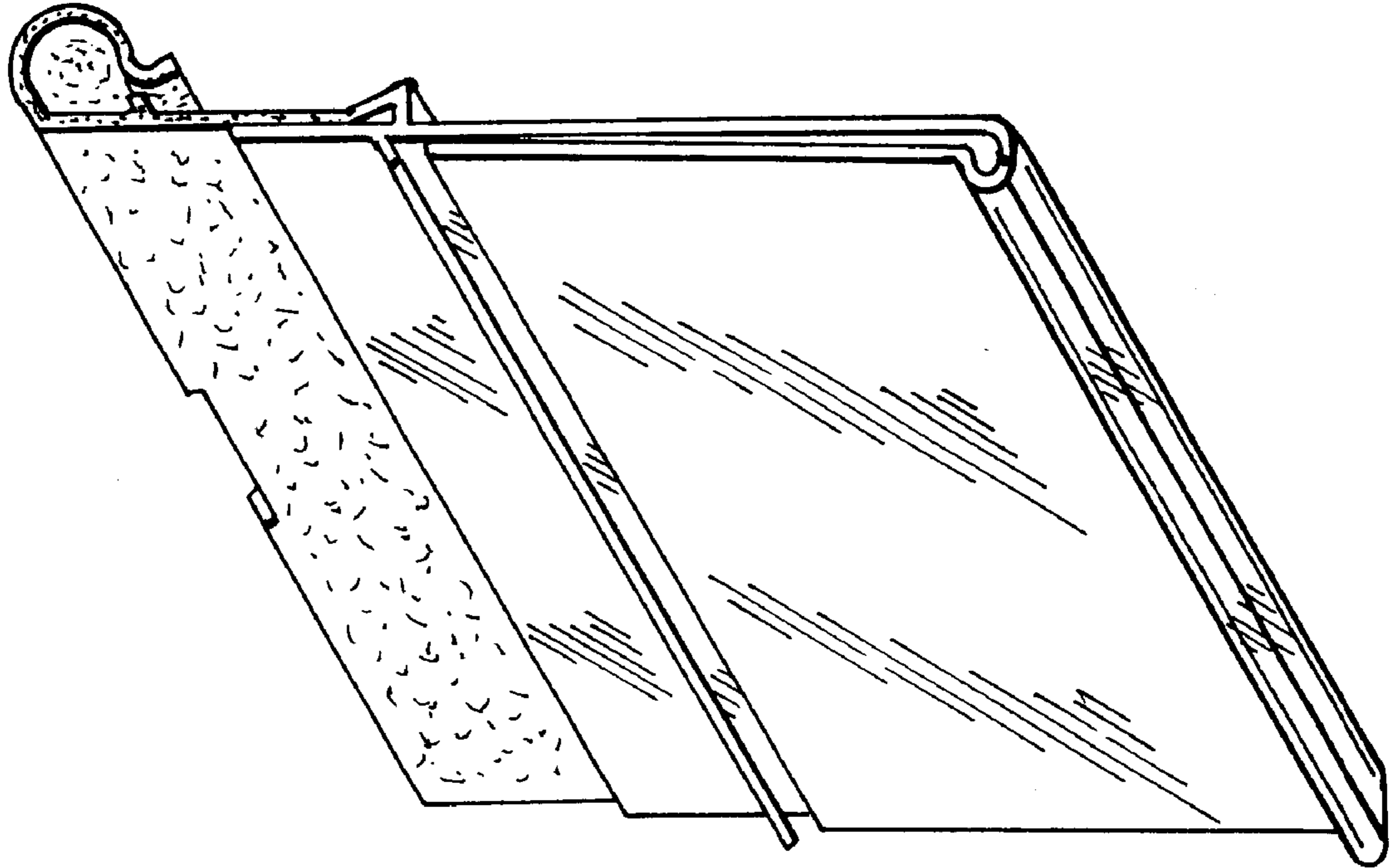


FIG. 11

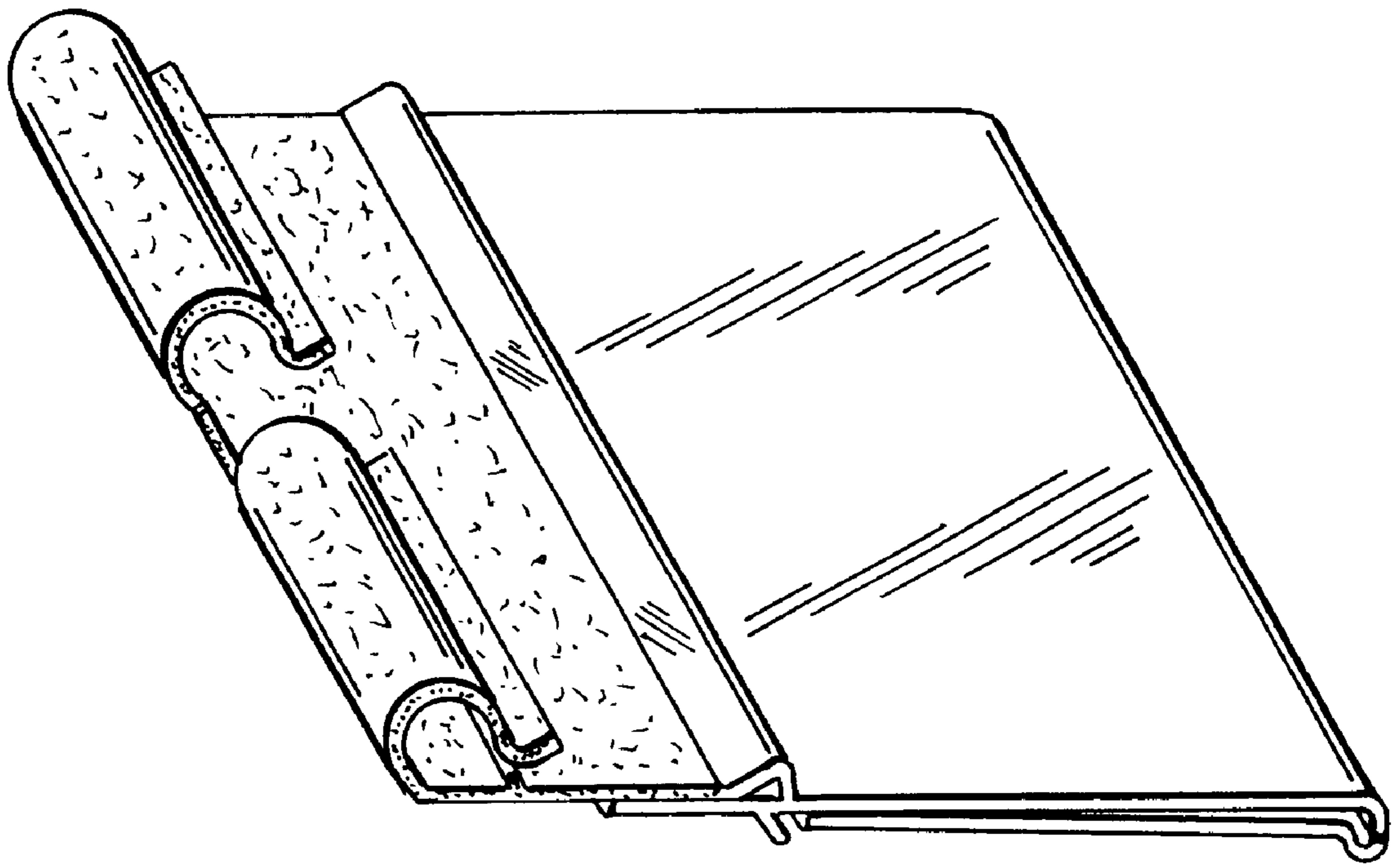


FIG. 12

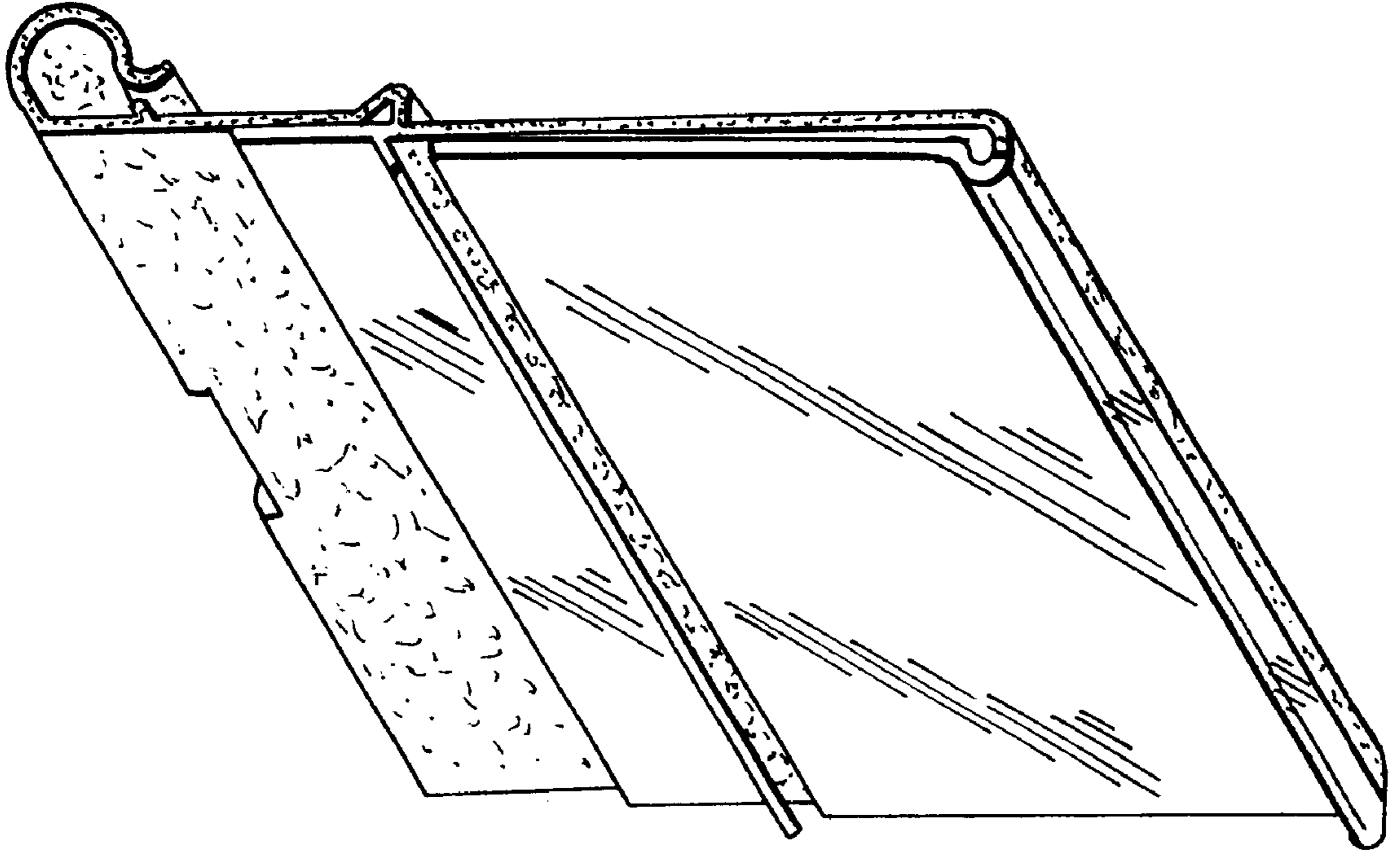


FIG. 13

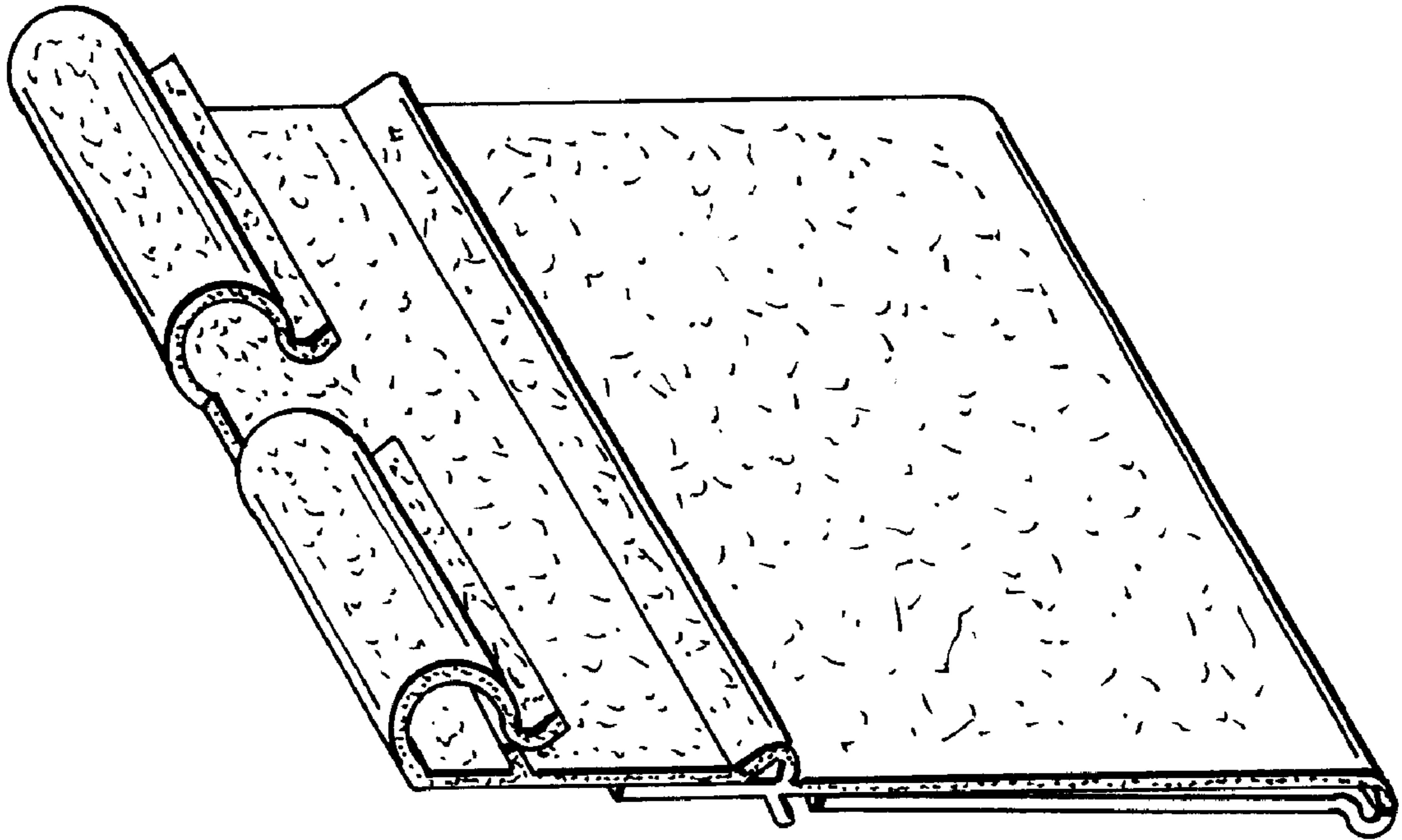


FIG. 14