



US00D479273S

(12) **United States Design Patent**  
**Chang**

(10) **Patent No.:** **US D479,273 S**

(45) **Date of Patent:** **\*\* Sep. 2, 2003**

(54) **DESK TRAY**

(76) **Inventor:** **Chun Yuan Chang**, P.O.Box 63-99,  
Taichung (TW), 406

(\*\*) **Term:** **14 Years**

(21) **Appl. No.:** **29/170,309**

(22) **Filed:** **Nov. 1, 2002**

(51) **LOC (7) Cl.** ..... **19-02**

(52) **U.S. Cl.** ..... **D19/92; D19/86**

(58) **Field of Search** ..... D19/35, 36, 65,  
D19/75, 78, 86, 91, 92, 95, 99, 100; 206/215,  
555, 556, 557; 211/10, 11, 13.1, 50, 126.1,  
126.13, 126.16, 55, 52, 126.2-126.7

(56) **References Cited**

**U.S. PATENT DOCUMENTS**

D33,268 S \* 9/1900 Bix ..... D19/92  
D33,269 S \* 9/1900 Bix ..... D19/92  
3,675,815 A \* 7/1972 Rehrig ..... 211/126.2 X  
D314,398 S \* 2/1991 Aaldenberg et al. .... D19/92

D319,473 S \* 8/1991 Aaldenberg et al. .... D19/92

D337,127 S \* 7/1993 Aaldenberg ..... D19/92

D338,917 S \* 8/1993 Aaldenberg ..... D19/92

D381,363 S \* 7/1997 Jackson ..... D19/92

D384,975 S \* 10/1997 Jackson ..... D19/92

\* cited by examiner

*Primary Examiner*—Martie K. Holtje

(57) **CLAIM**

The ornamental design for a desk tray, as shown and described.

**DESCRIPTION**

FIG. 1 is a perspective view of a desk tray showing my new design;

FIG. 2 is a front elevational view thereof;

FIG. 3 is a rear elevational view thereof;

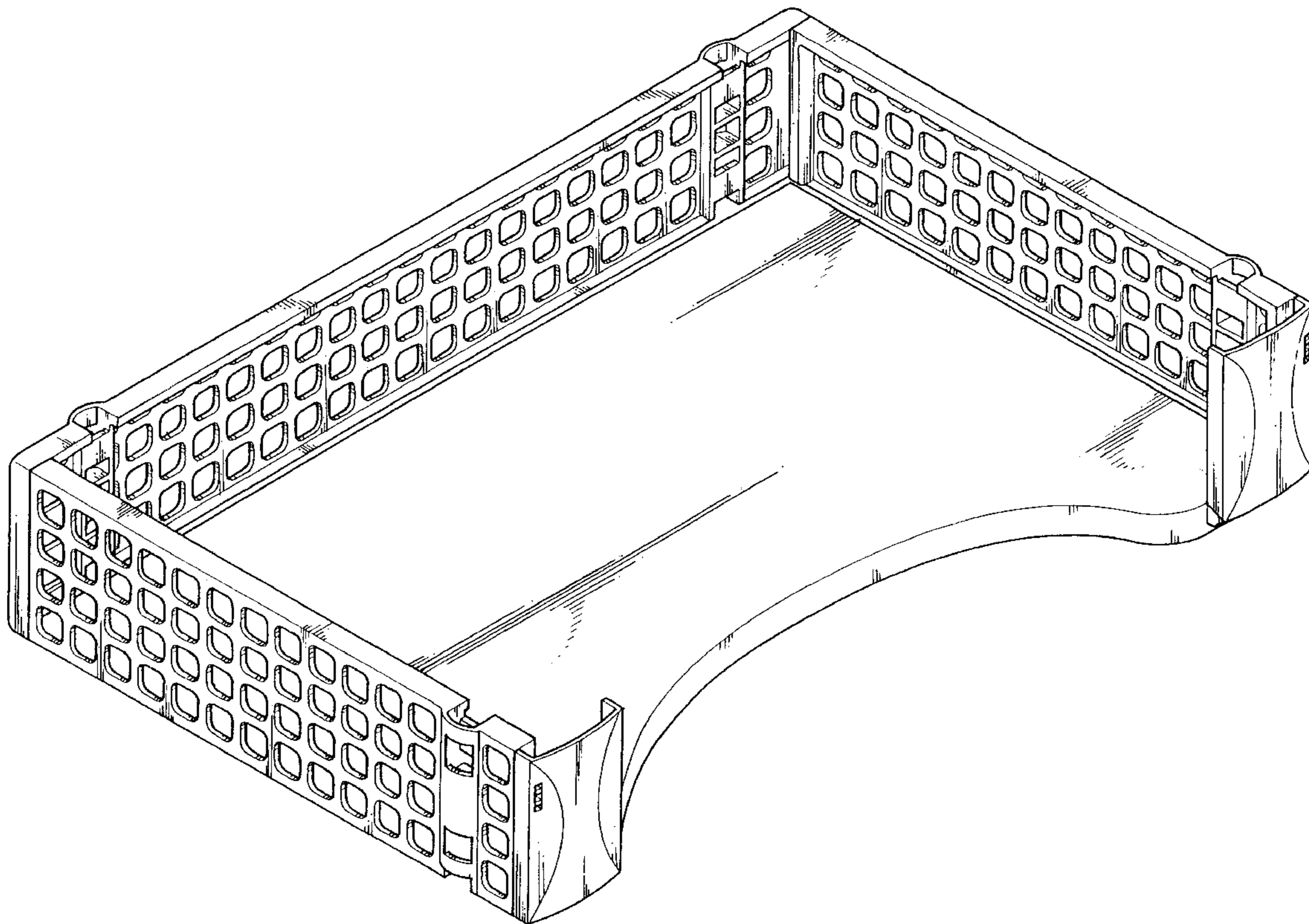
FIG. 4 is a bottom plan view thereof;

FIG. 5 is a top plan view thereof;

FIG. 6 is a left side elevational view thereof; and,

FIG. 7 is a right side elevational view thereof.

**1 Claim, 5 Drawing Sheets**



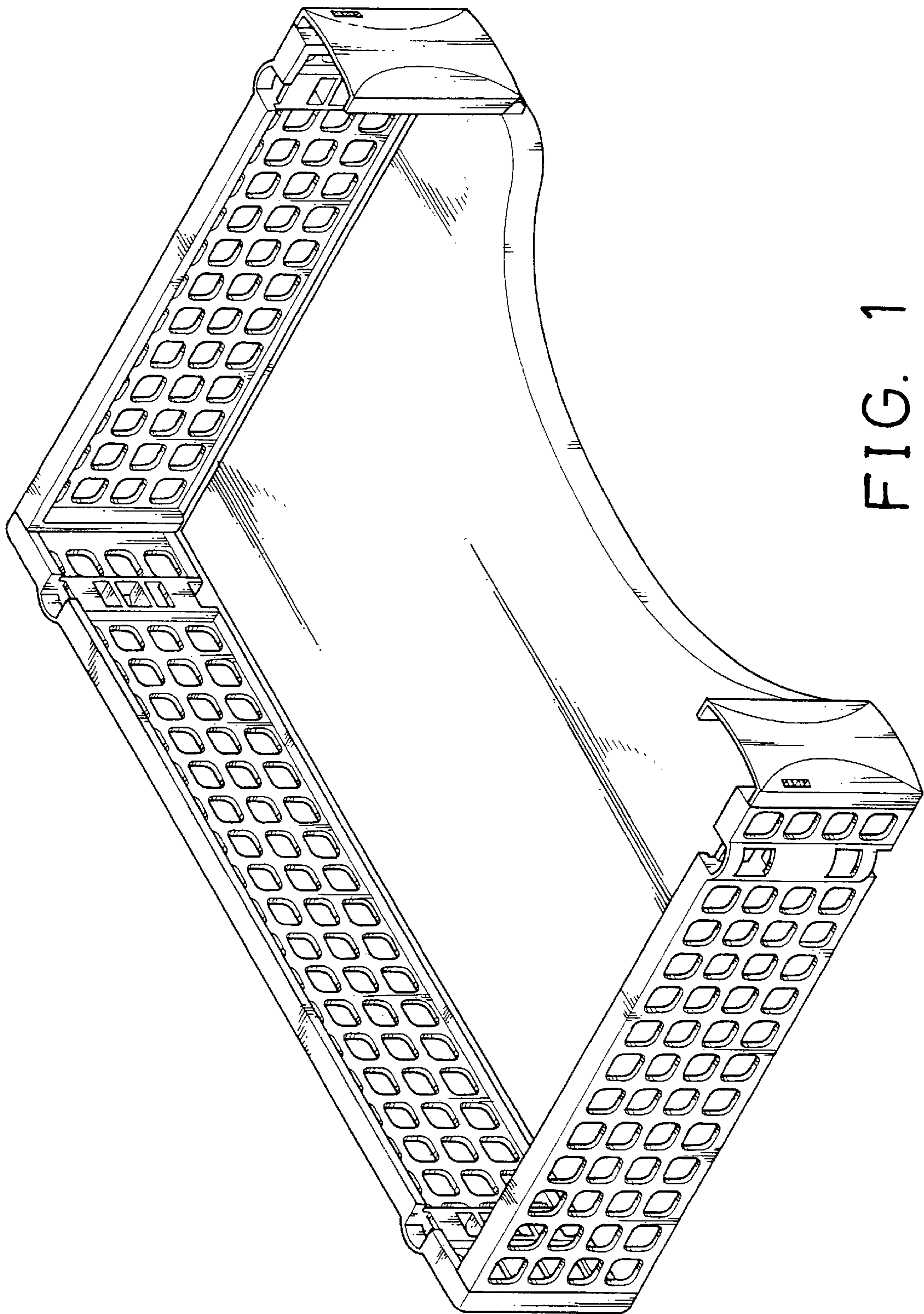


FIG. 1

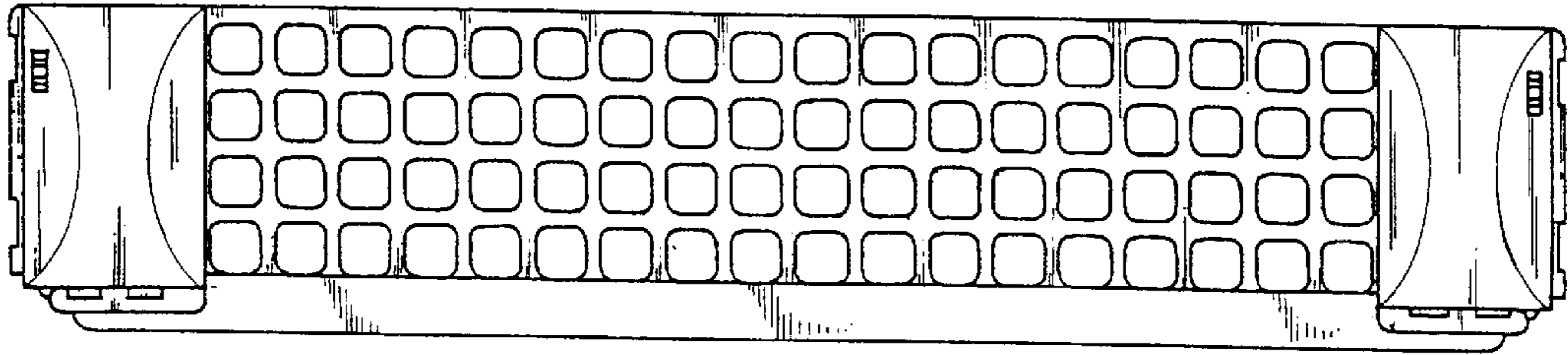


FIG. 2

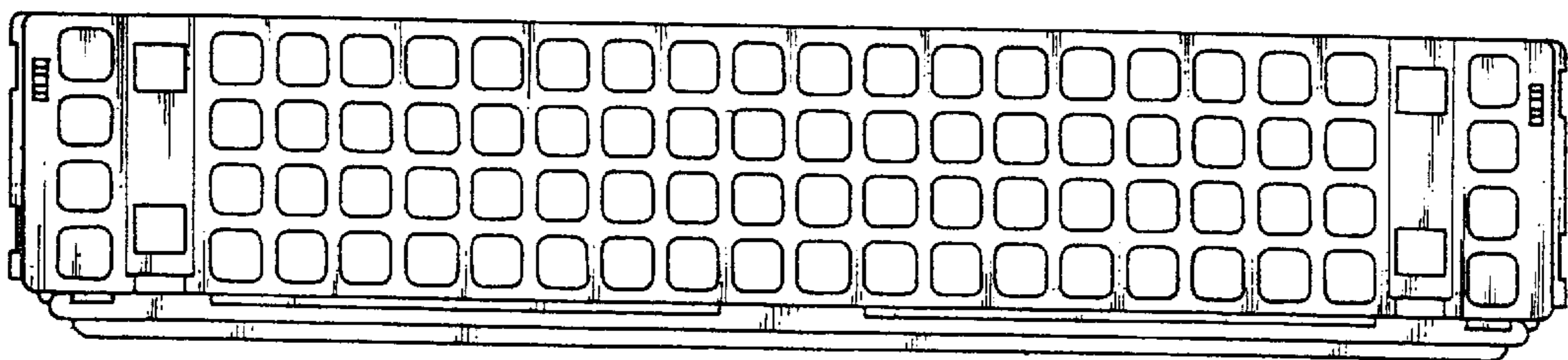


FIG. 3





FIG. 4

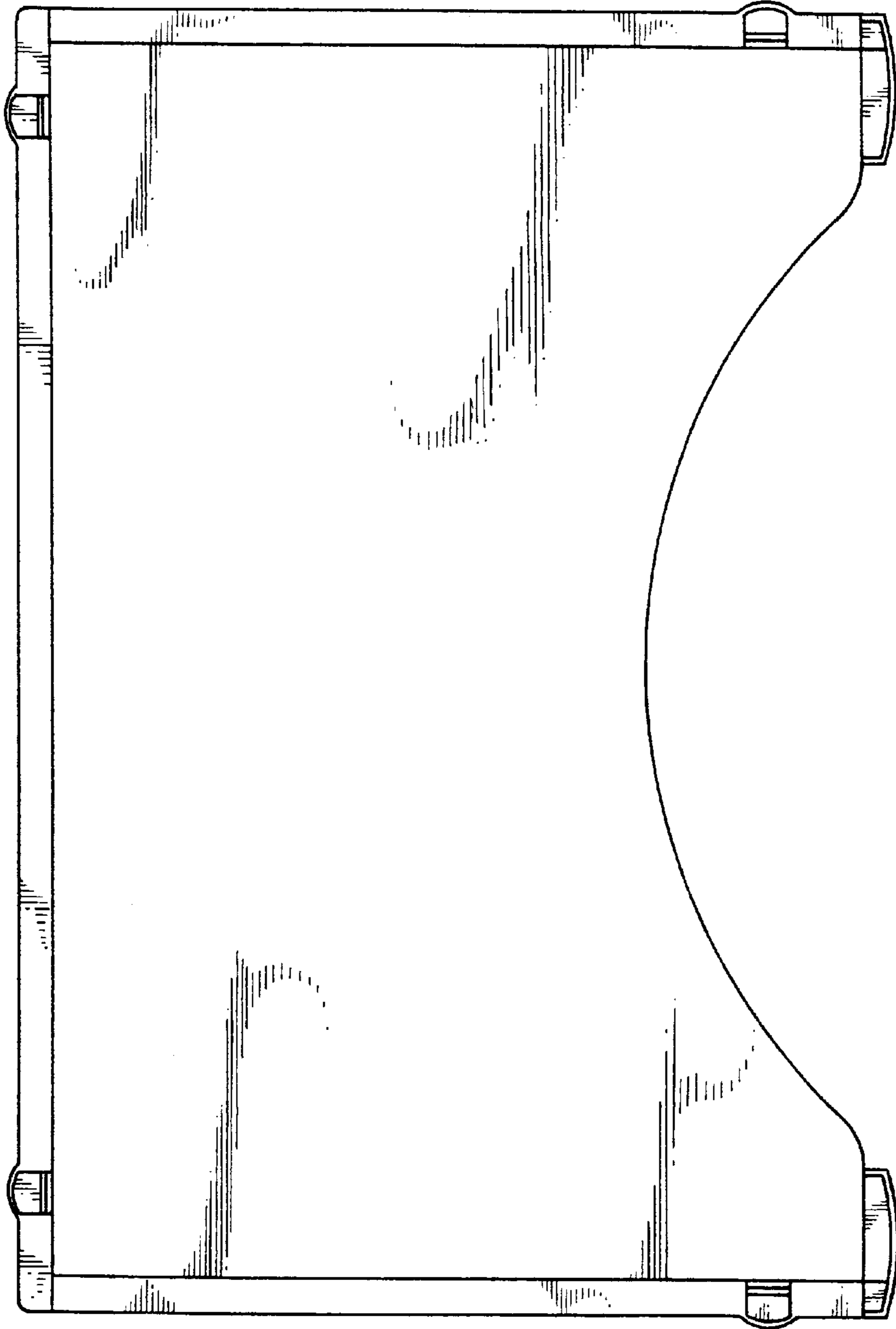


FIG. 5

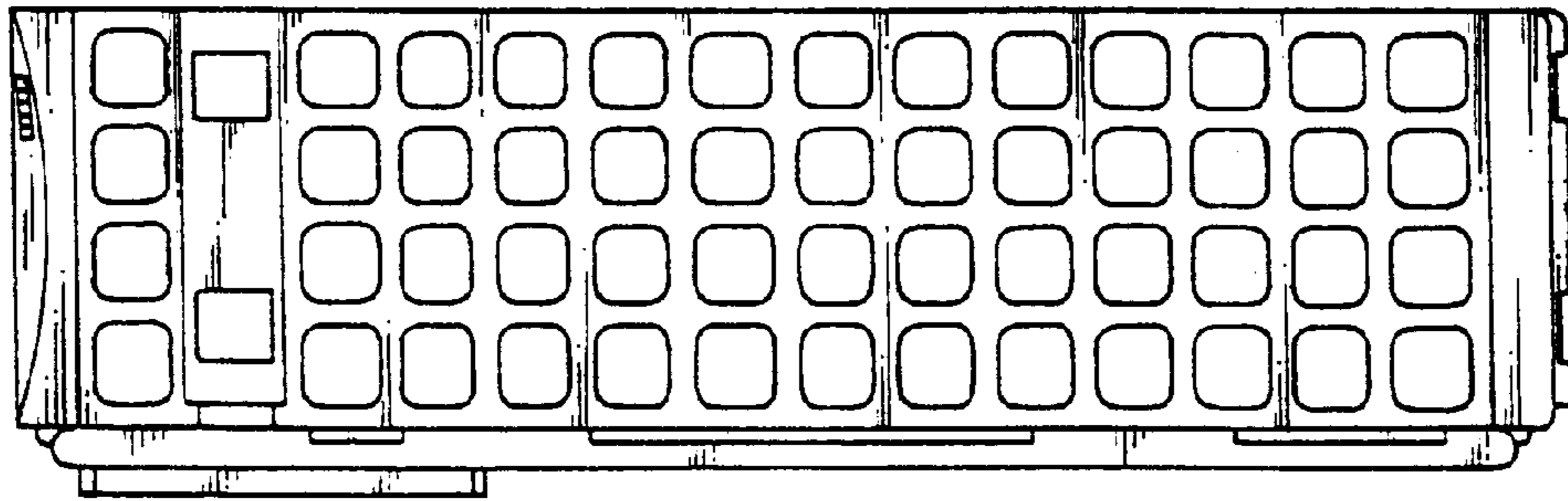


FIG. 7

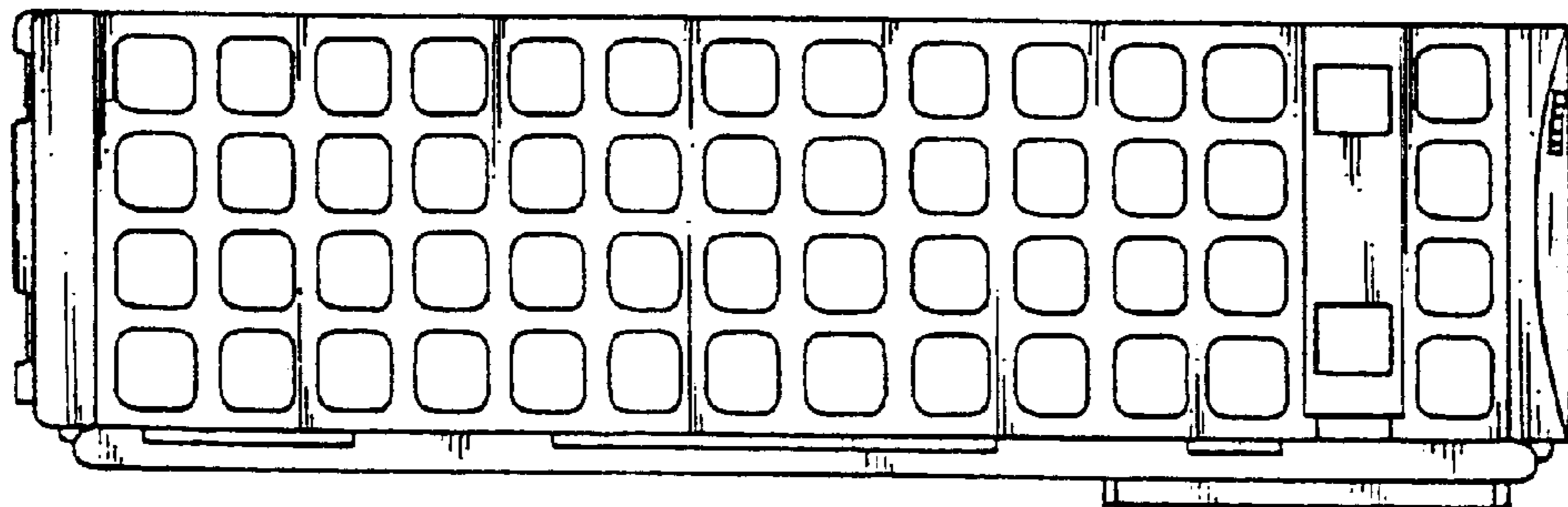


FIG. 6