



US00D479272S

(12) **United States Design Patent** (10) **Patent No.:** **US D479,272 S**  
**Hardy et al.** (45) **Date of Patent:** **\*\* Sep. 2, 2003**

(54) **MESH BASKET**

(75) Inventors: **Christopher Hardy**, Springfield, IL (US); **Jason Walsh**, Springfield, IL (US)

(73) Assignee: **Design Ideas, Ltd.**, Springfield, IL (US)

(\*\*) Term: **14 Years**

(21) Appl. No.: **29/153,150**

(22) Filed: **Jan. 4, 2002**

(51) **LOC (7) Cl.** ..... **19-02**

(52) **U.S. Cl.** ..... **D19/92; D19/95; D3/306**

(58) **Field of Search** ..... D3/306; D6/462; D19/65, 75, 78, 81-85, 86, 91, 95, 99, 100; 211/126.11, 126.9, 126.13, 11, 85.25, 181.1; 206/215, 555, 557, 821; 220/485, 486, 487, 491, 492, 493

(56) **References Cited**

**U.S. PATENT DOCUMENTS**

D33,268 S	9/1900	Rix	
D33,269 S	9/1900	Rix	
893,786 A *	7/1908	Collis et al.	211/126.11
933,517 A *	9/1909	Worcester	211/126.11
994,984 A *	6/1911	Dennis	211/126.11
1,098,053 A	5/1914	Porter	
1,382,592 A	6/1921	Ames	
1,389,908 A	9/1921	Shults et al.	
1,408,026 A	2/1922	Ochiltree	
1,463,098 A	7/1923	Snyder	
RE16,431 E	9/1926	Kratzer	
D152,140 S	12/1948	Crawford et al.	
2,502,781 A	4/1950	Erickson	
D194,513 S	2/1963	Sparling	
D207,308 S	4/1967	Bell	
3,436,044 A *	4/1969	Martinson	211/181.1 X
3,704,791 A *	12/1972	Young, Jr.	211/126.11
D328,993 S	9/1992	Rosenthal	
D383,283 S *	9/1997	Hankins, III	D34/27
D418,998 S	1/2000	Glassenberg	
D419,302 S *	1/2000	Hardy et al.	D3/306

D433,709 S	11/2000	Hardy	
D433,711 S	11/2000	Andujar	
D434,074 S	11/2000	Hardy	
D436,239 S	1/2001	Walsh	
D450,453 S	11/2001	Andujar	
D450,481 S	11/2001	Post	
6,497,331 B1 *	12/2002	Morandi	211/181.1 X

**FOREIGN PATENT DOCUMENTS**

FR 826876 4/1938

**OTHER PUBLICATIONS**

- Baigelman & Co. Office Products Catalog, 2000, see indicated item A, p. 492.\*
- Jacobs Gardner Office Products, 2001, see indicated item B, circled, p. 474.\*
- Design Ideas Catalogue, p. 29, issued 1995.
- Design Ideas Catalogue, pp. 61, 64, 66-67, 69, issued 1998.
- Design Ideas Catalogue, Office Organization, p. 4, issue Holiday 1999.
- Hong Kong Enterprise, Oct. 1999, p. 98.
- Hong Kong Enterprise, Oct. 1999, p. 1126.
- Millers Office Products, p. 442, 1995.
- Millers Office Products, p. 453, 1997.
- Millers Office Products, p. 475, 1998.

\* cited by examiner

*Primary Examiner*—Martie K. Holtje  
(74) *Attorney, Agent, or Firm*—SAIDMAN DesignLaw Group

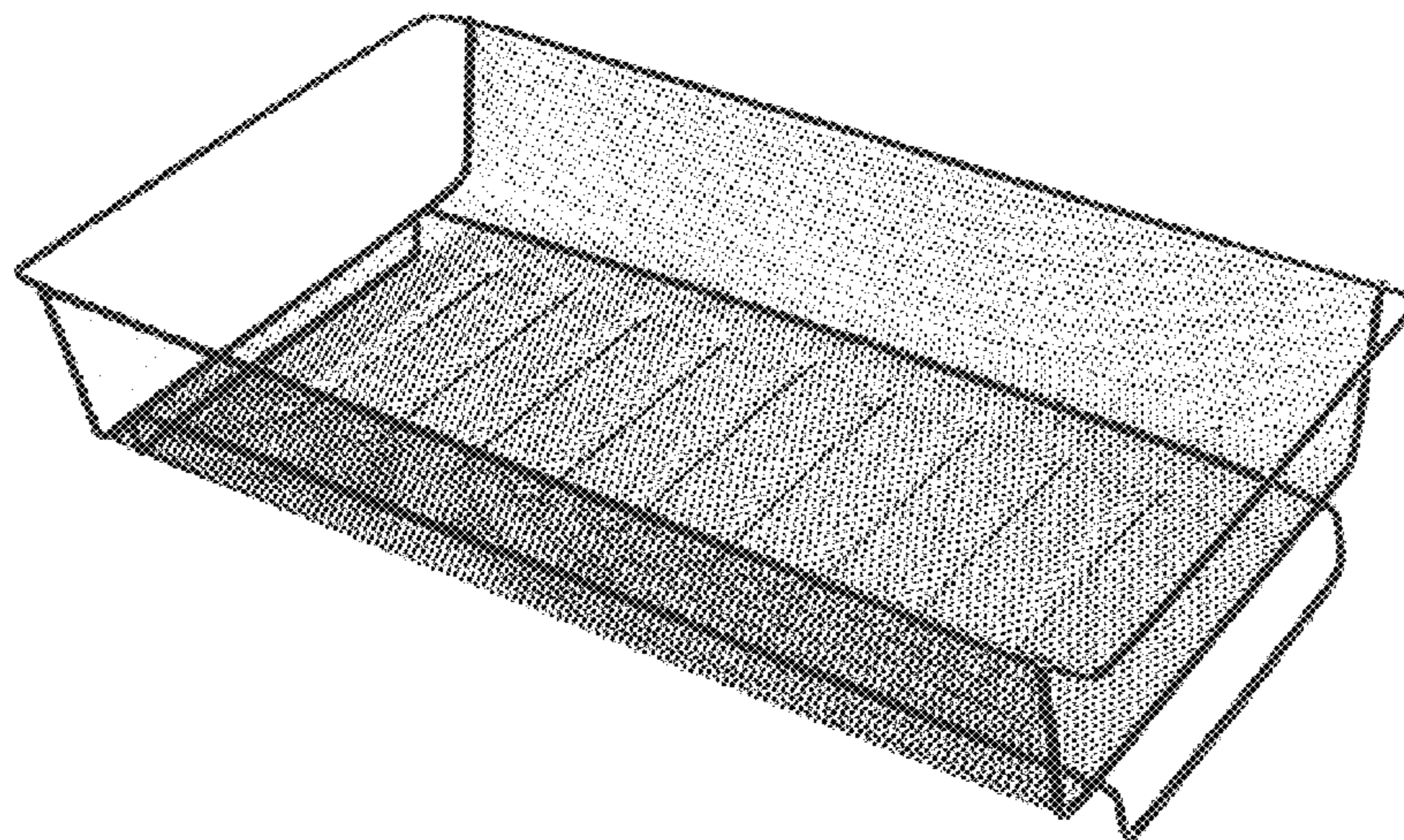
(57) **CLAIM**

The ornamental design for a mesh basket, as shown.

**DESCRIPTION**

FIG. 1 is a perspective view of a mesh basket showing our new design;  
 FIG. 2 is a front view thereof, the rear view being identical;  
 FIG. 3 is a left side view thereof, the right side view being identical;  
 FIG. 4 is a top view thereof; and,  
 FIG. 5 is a bottom view thereof.

**1 Claim, 5 Drawing Sheets**





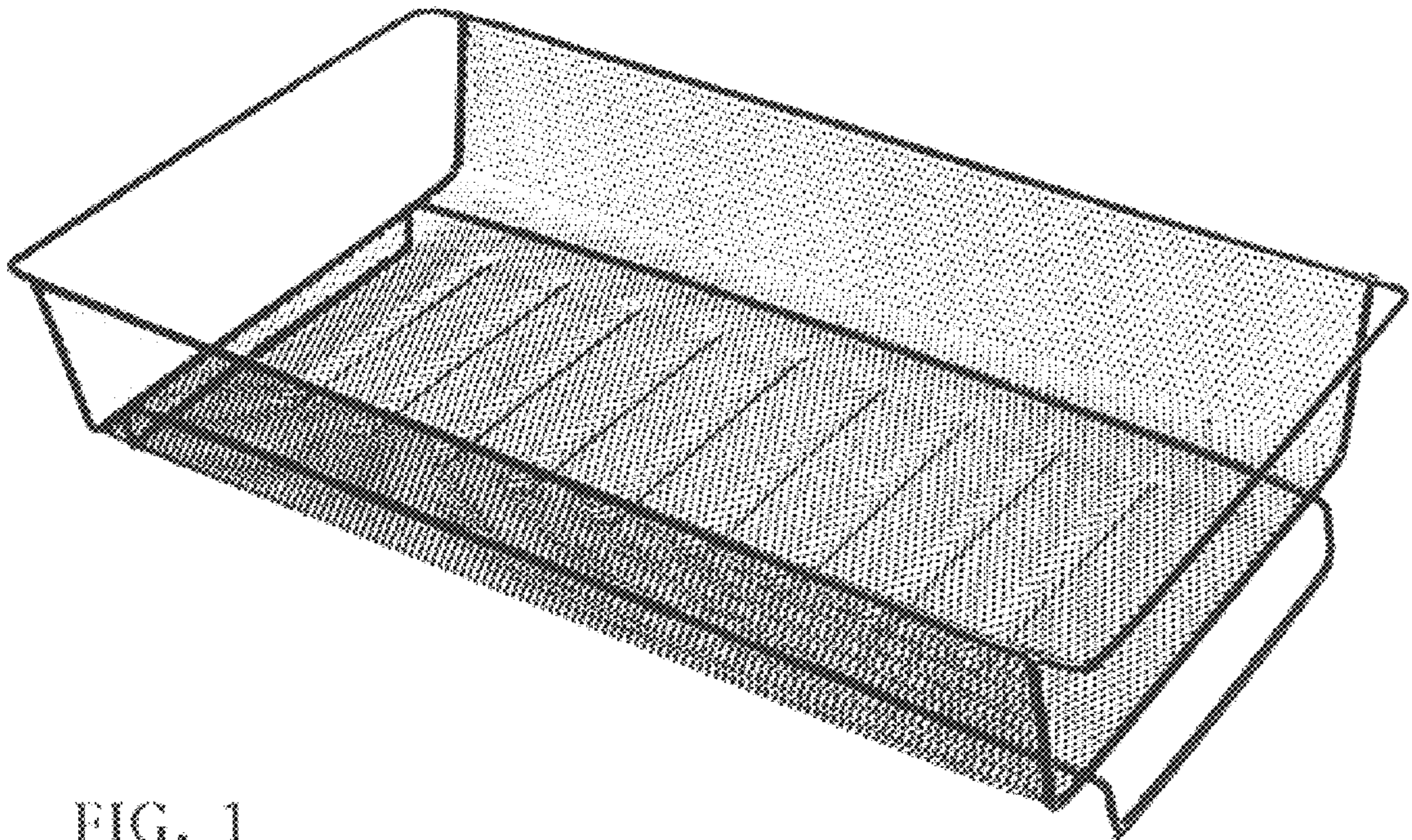


FIG. 1

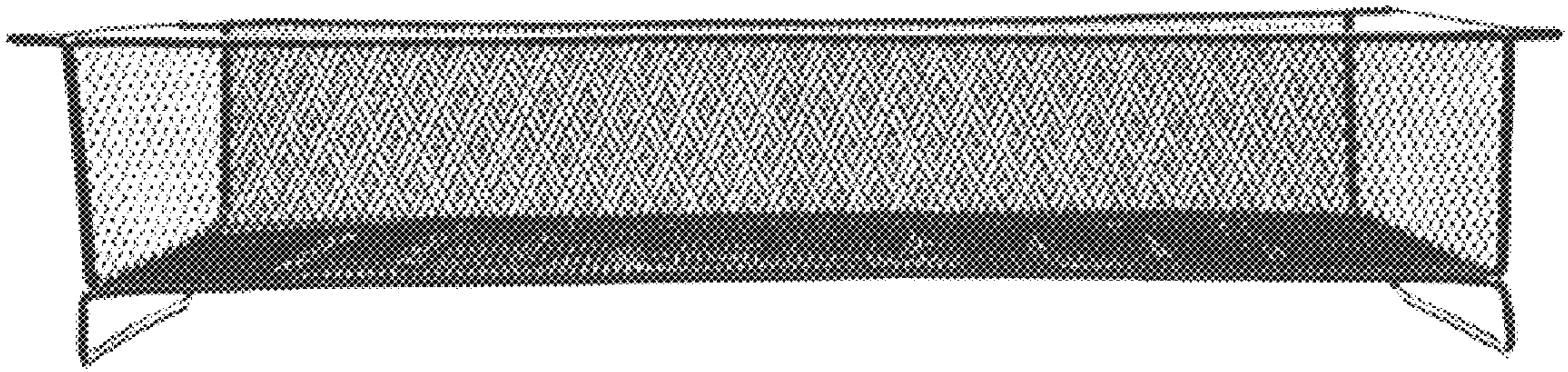


FIG. 2



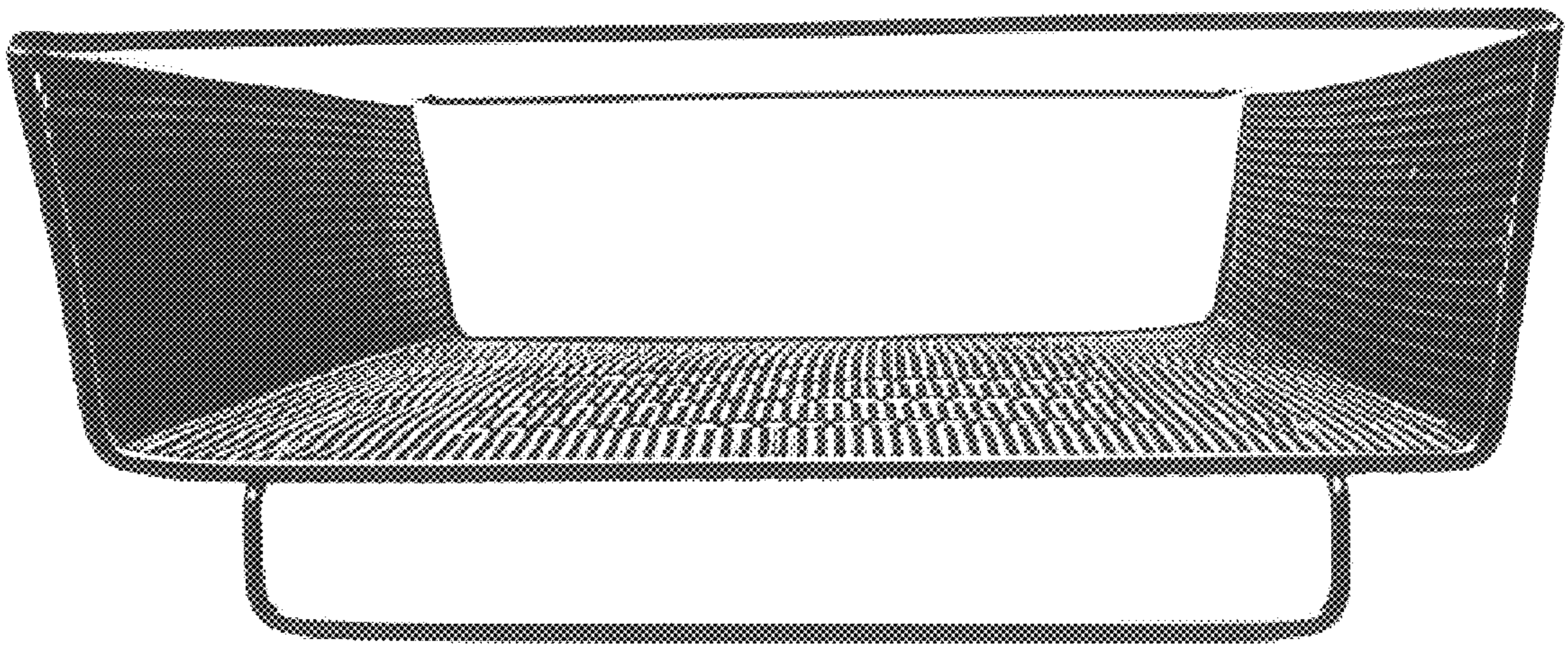


FIG. 3



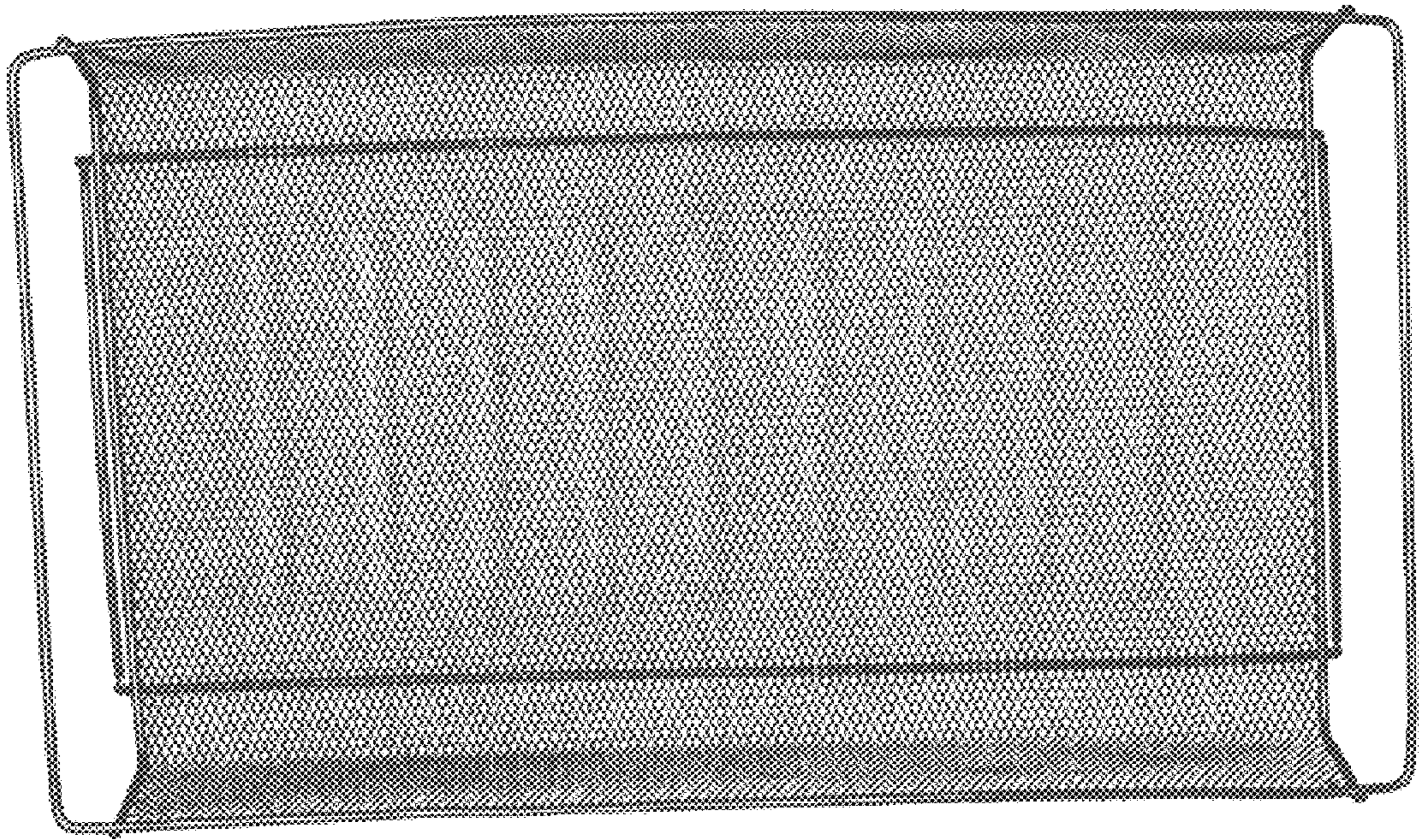


FIG. 4



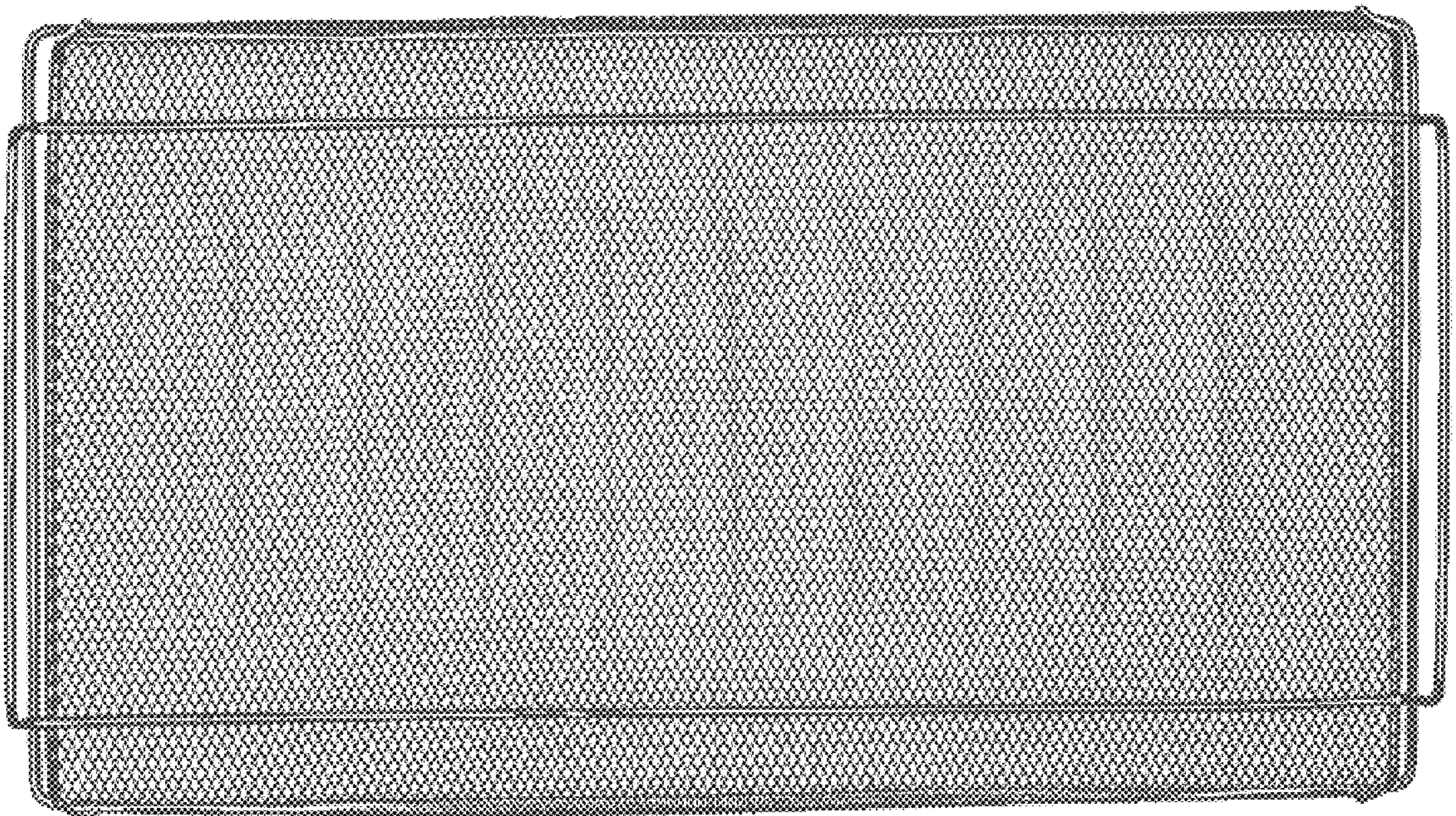


FIG. 5