



US00D479271S

(12) **United States Design Patent**
Gaska et al.

(10) **Patent No.:** **US D479,271 S**

(45) **Date of Patent:** **** Sep. 2, 2003**

(54) **FILE BIN**

(75) Inventors: **Gilius A. Gaska**, Madison, WI (US);
Erin M. Napolitano, Chicago, IL (US);
Jimmy-Quang Viet Doan, Chicago, IL (US)

(73) Assignee: **Berol Corporation**, Freeport, IL (US)

(**) Term: **14 Years**

(21) Appl. No.: **29/150,907**

(22) Filed: **Nov. 15, 2001**

(51) **LOC (7) Cl.** **19-02**

(52) **U.S. Cl.** **D19/75; D19/90**

(58) **Field of Search** D19/65, 75, 77,
D19/78, 81-85, 86, 90, 91, 99, 100; 312/183,
184; 211/10, 11, 43, 42, 45, 46, 50, 126.13;
229/67.1-67.4, 928; 206/504, 507, 425;
402/4

(56) **References Cited**

U.S. PATENT DOCUMENTS

D59,508 S	*	10/1921	Paulson	D19/90
3,281,193 A		10/1966	Murray	312/184
3,393,827 A	*	7/1968	Asenbauer	206/504
3,865,445 A		2/1975	Dean et al.	312/184
3,874,501 A	*	4/1975	Cronheim	206/425
4,114,963 A		9/1978	Menahem	312/184
4,234,238 A		11/1980	Figuroa	312/184
4,643,306 A		2/1987	Ryan	206/425
4,652,165 A		3/1987	Bertesi et al.	402/4
4,726,635 A		2/1988	Rariden et al.	312/184
4,775,069 A		10/1988	Stonier	220/6
4,901,867 A		2/1990	Petty, Jr.	211/46

D310,107 S	*	8/1990	Murphy et al.	D19/90
D316,114 S	*	4/1991	Hwang	D19/90
5,088,801 A		2/1992	Rorke et al.	312/184
5,197,762 A		3/1993	Abramov	281/43
5,678,797 A		10/1997	Gogan	248/251
D385,921 S	*	11/1997	Tisbo	D19/90
D390,270 S	*	2/1998	Cheris et al.	D19/90
D394,280 S	*	5/1998	Cheris et al.	D19/75
5,873,642 A		2/1999	Domenig	312/183
5,899,626 A		5/1999	Hatano et al.	402/4
6,170,677 B1	*	1/2001	Meltser	211/55

* cited by examiner

Primary Examiner—Martie K. Holtje

(74) *Attorney, Agent, or Firm*—Marshall, Gerstein & Borun

(57) **CLAIM**

We claim the ornamental design for a file bin, as shown and described.

DESCRIPTION

FIG. 1 is a top perspective view of an exemplary embodiment of a file bin of the present invention;

FIG. 2 is a front elevational view thereof, the rear elevational view being identical thereto;

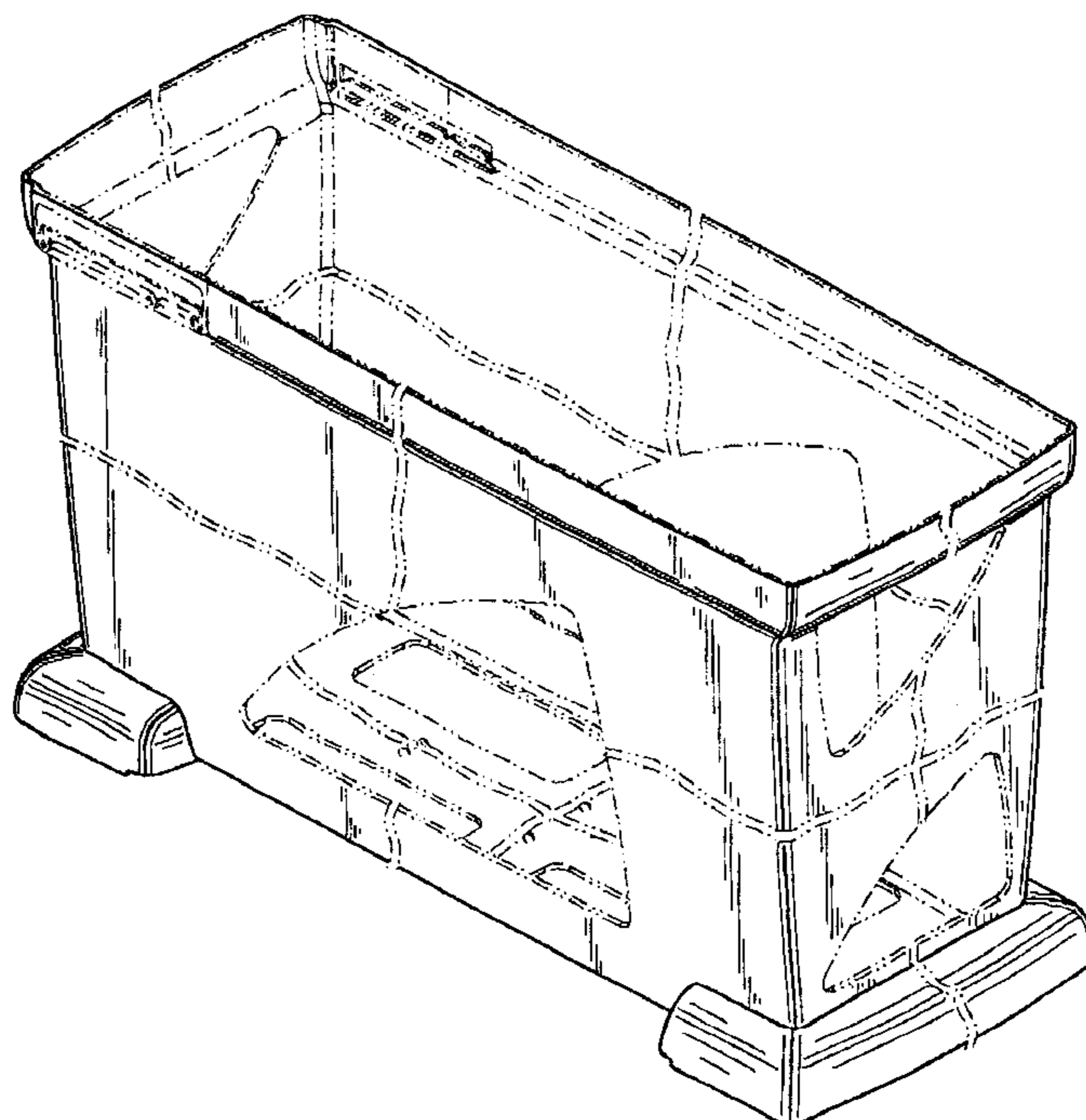
FIG. 3 is a right end elevational view, the left end elevational view being identical thereto;

FIG. 4 is a top plan view thereof; and,

FIG. 5 is a bottom plan view thereof.

The structure depicted by means of broken lines in the drawing figures has been shown for illustrative purposes only and forms no part of the claimed design. In addition, the claimed design has been shown broken away in the views to illustrate indeterminate height, width and depth.

1 Claim, 2 Drawing Sheets



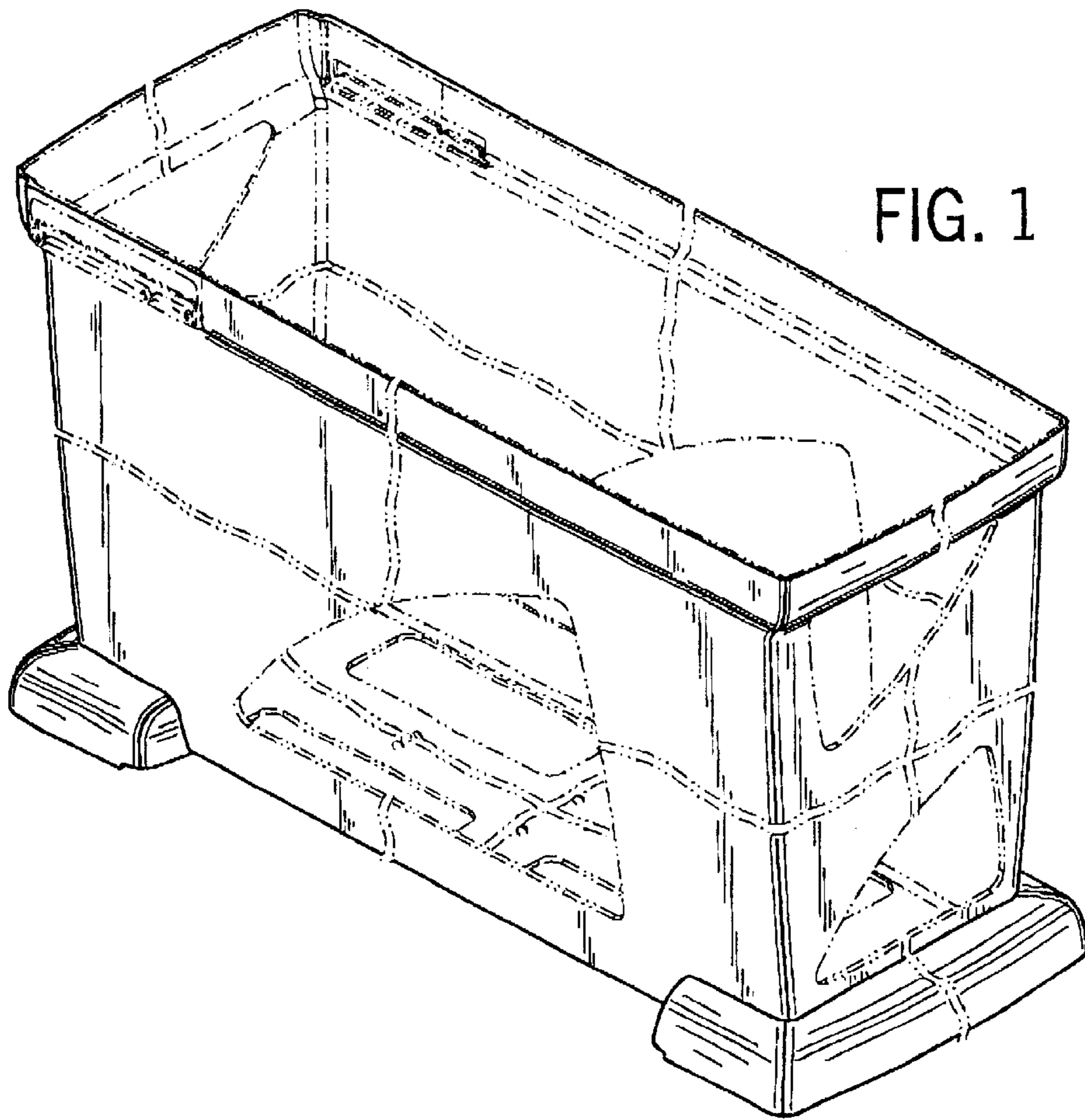


FIG. 1

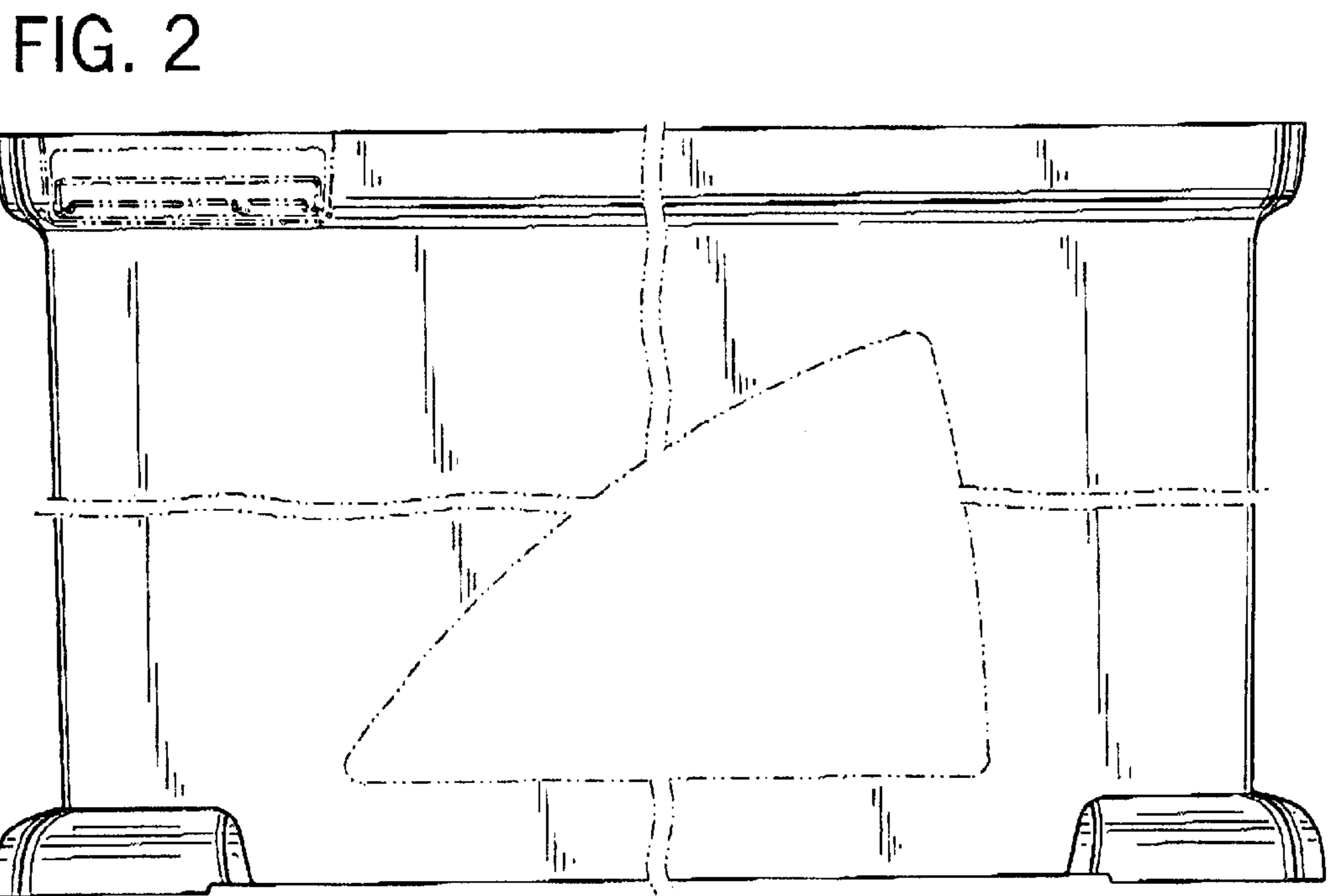


FIG. 2

FIG. 3

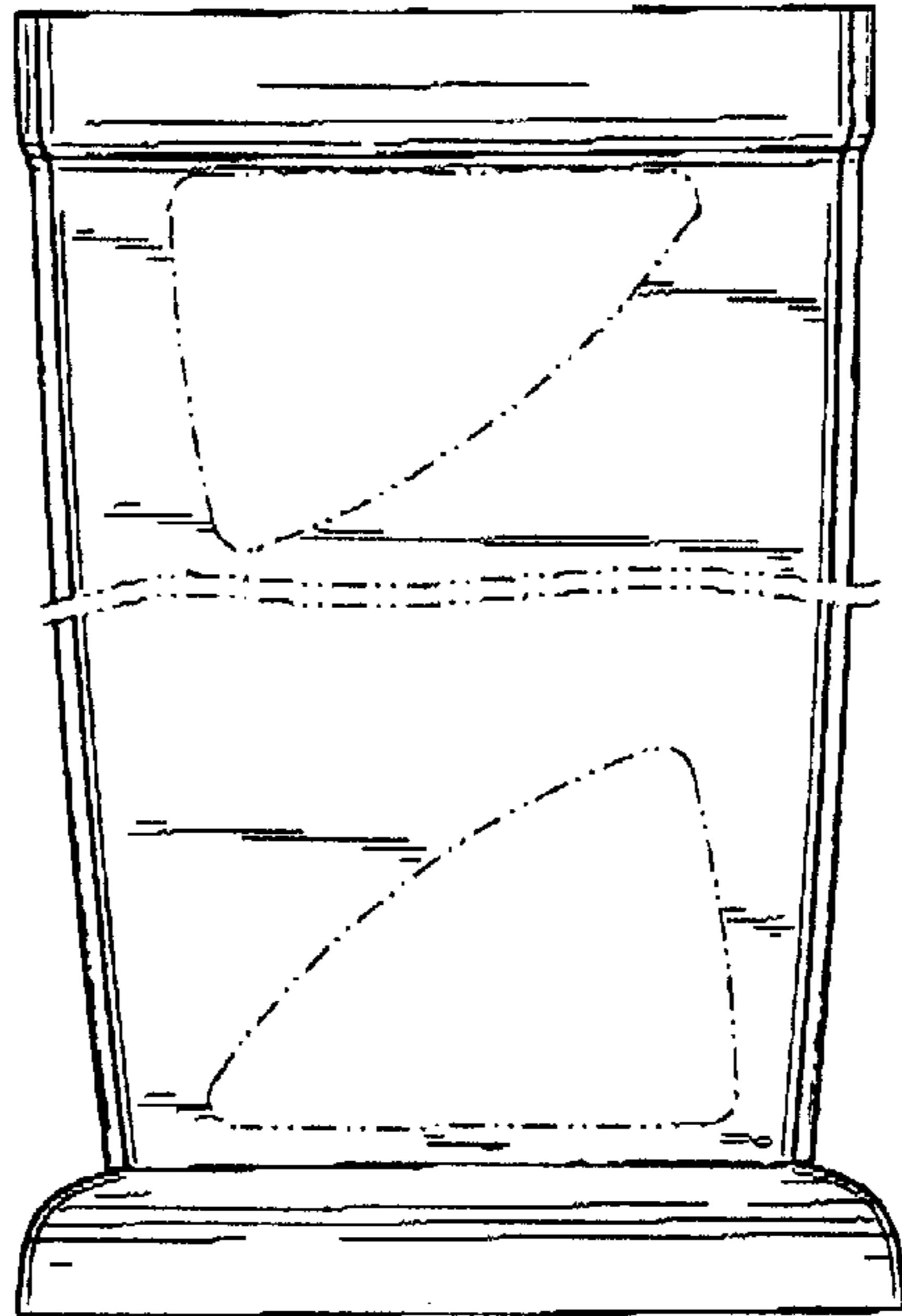


FIG. 4

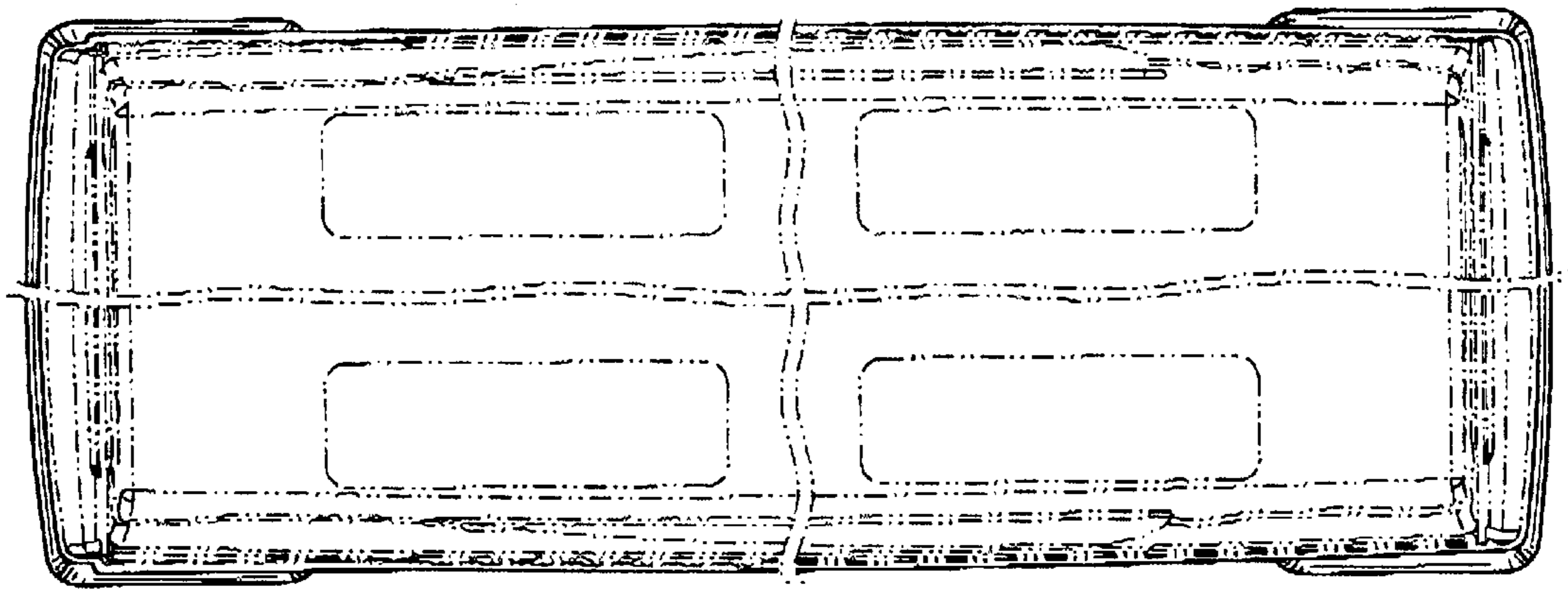


FIG. 5

