



US00D479265S

(12) **United States Design Patent**
Sasaki et al.

(10) **Patent No.:** **US D479,265 S**

(45) **Date of Patent:** **** Sep. 2, 2003**

(54) **INK CARTRIDGE**

D456,446 S * 4/2002 Carrese et al. D18/56
D456,836 S * 5/2002 Ito et al. D18/56

(75) Inventors: **Toyonori Sasaki**, Anjyo (JP); **Atsushi Murakami**, Nagoya (JP); **Mitsuharu Hattori**, Nagoya (JP); **Masatoshi Yoshiyama**, Nagoya (JP)

* cited by examiner

Primary Examiner—Cathy Anne MacCormac
(74) *Attorney, Agent, or Firm*—Oliff & Berridge, PLC

(73) Assignee: **Brother Industries, Ltd.**, Nagoya (JP)

(57) **CLAIM**

(**) Term: **14 Years**

The ornamental design for an ink cartridge, as shown and described.

(21) Appl. No.: **29/148,448**

DESCRIPTION

(22) Filed: **Sep. 21, 2001**

(30) **Foreign Application Priority Data**

Mar. 23, 2001 (JP) 2001-008337
Mar. 23, 2001 (JP) 2001-008338
Mar. 23, 2001 (JP) 2001-008339
Mar. 23, 2001 (JP) 2001-008340

FIG. 1 is a bottom perspective view of an ink cartridge;
FIG. 2 is a front view thereof;
FIG. 3 is a top view thereof;
FIG. 4 is an enlarged side profile view thereof taken along the line 4—4 of FIG. 2;
FIG. 5 is a sectional view thereof taken along the plane 5—5 of FIG. 2;
FIG. 6 is an interior elevational view through the ink cartridge taken along the line 6—6 of FIG. 4;
FIG. 7 is a bottom view thereof; and,
FIG. 8 is a fragmentary, cut-away perspective view showing the interior surface of the ribs and with the front surface omitted for clarity of illustration.

(51) **LOC (7) Cl.** **18-02**

(52) **U.S. Cl.** **D18/56; 347/86**

(58) **Field of Search** **D18/56, 44; 347/86, 347/87**

The claimed design relates to an ink cartridge made of a transparent material and having ribs arranged on an inclined surface inside of the ink cartridge.

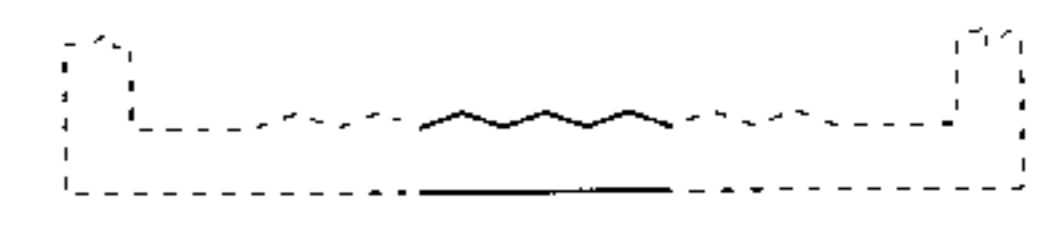
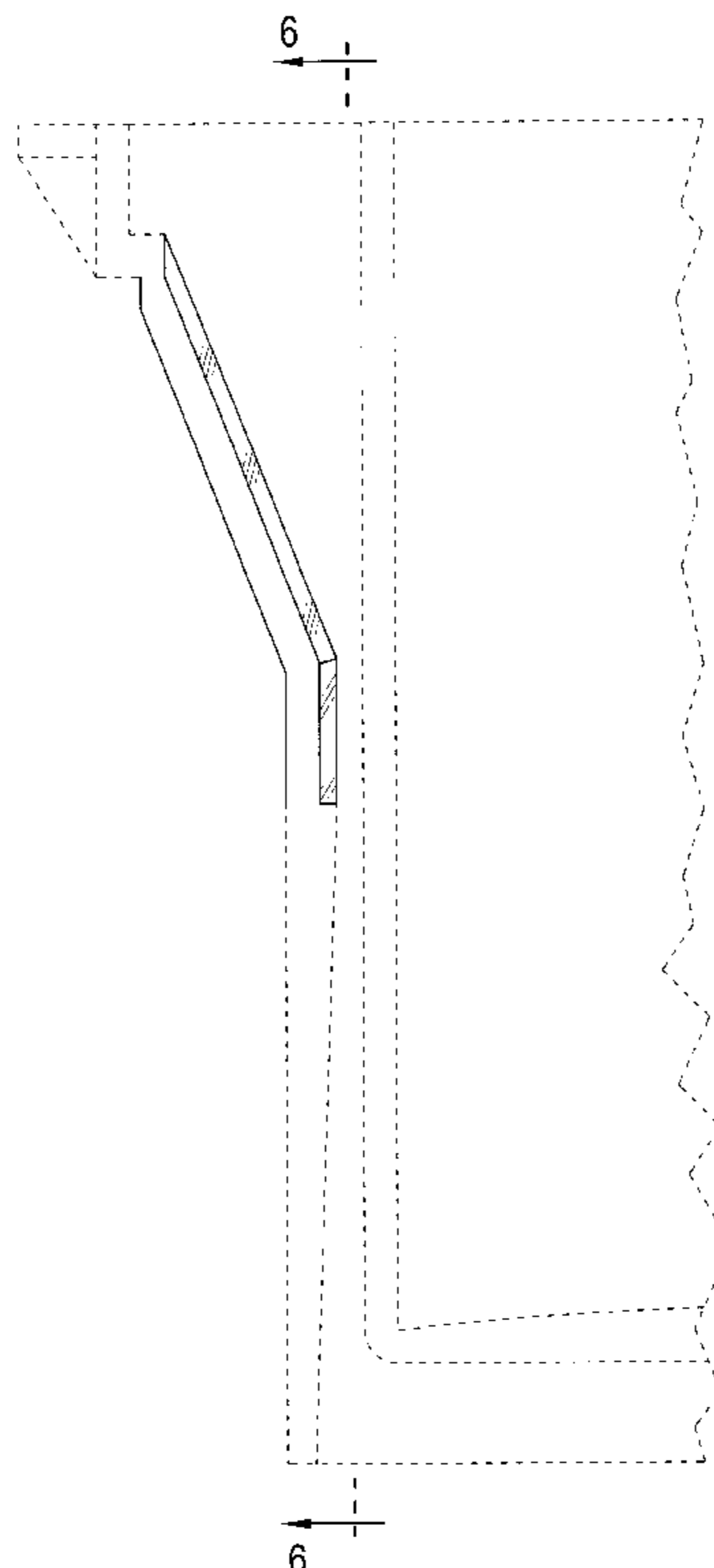
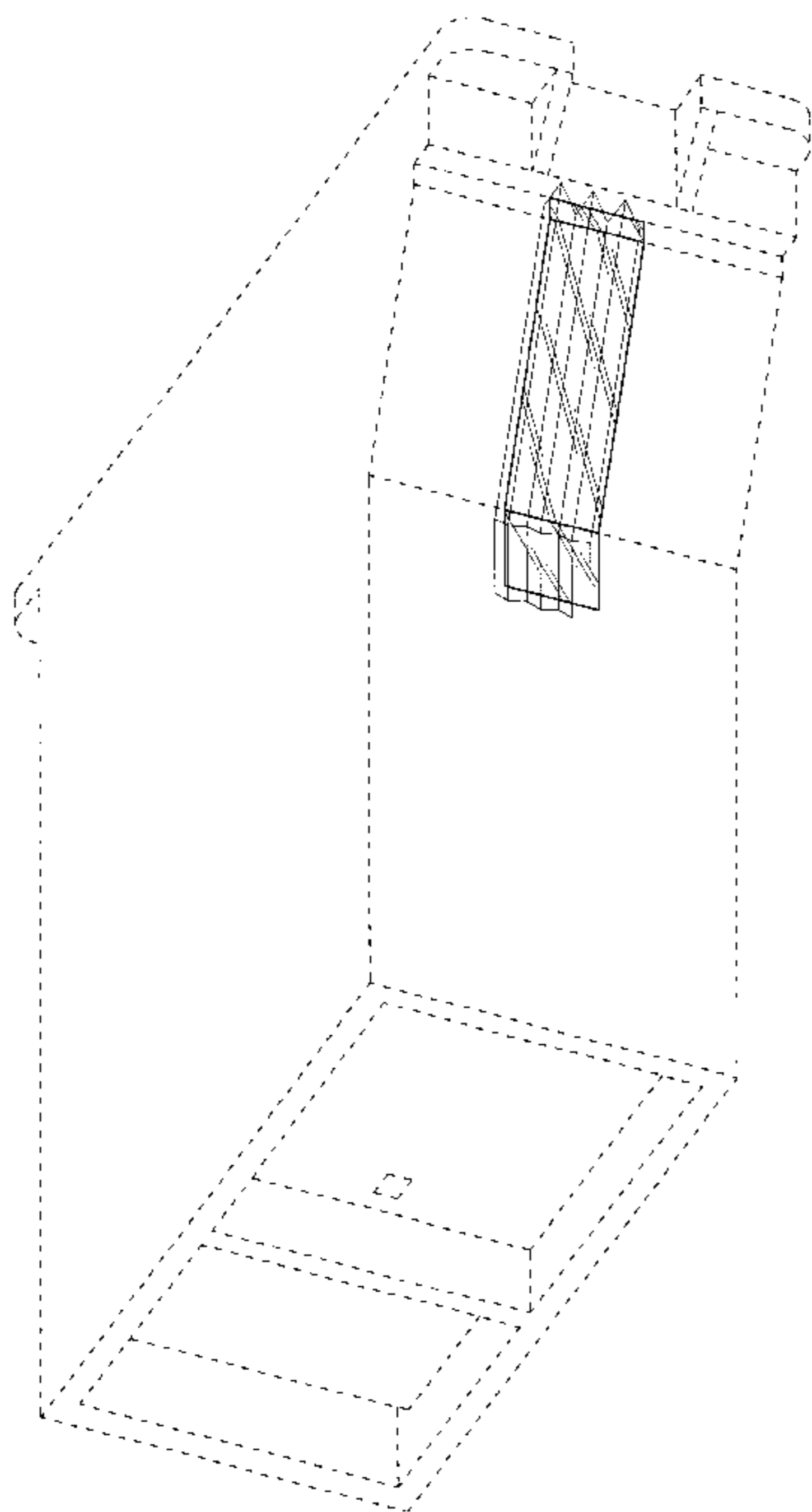
(56) **References Cited**

U.S. PATENT DOCUMENTS

D421,270 S 2/2000 Yamaguchi
D430,603 S * 9/2000 Maeda et al. D18/56
D436,988 S * 1/2001 Maeda et al. D18/56
D440,598 S * 4/2001 Maeda et al. D18/56
D448,797 S * 10/2001 Carrese et al. D18/56
D452,875 S * 1/2002 Carrese et al. D18/56

The broken lines define the bounds of the claimed design but do not form part of the claimed design.

1 Claim, 5 Drawing Sheets



6

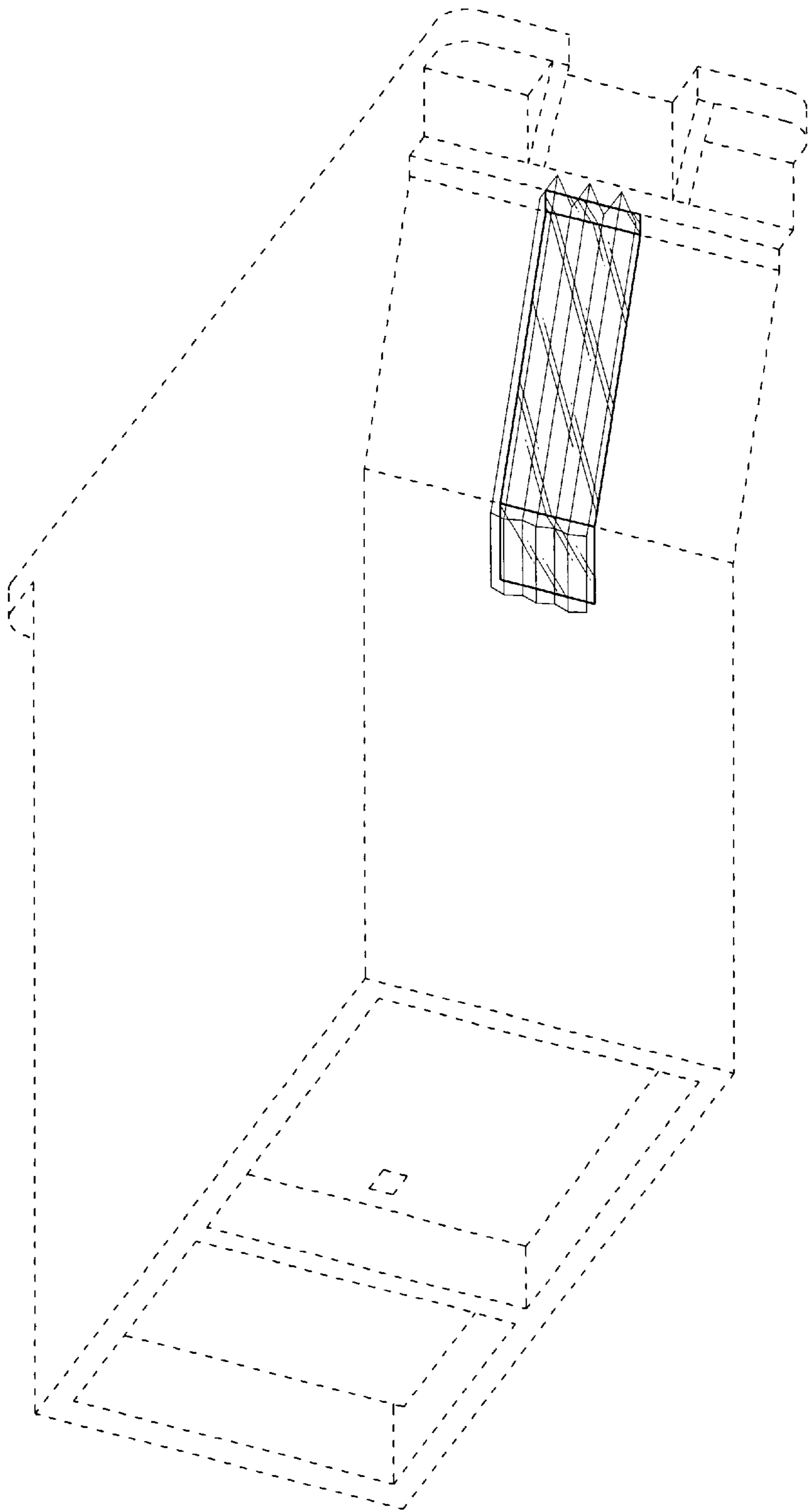


Fig. 1

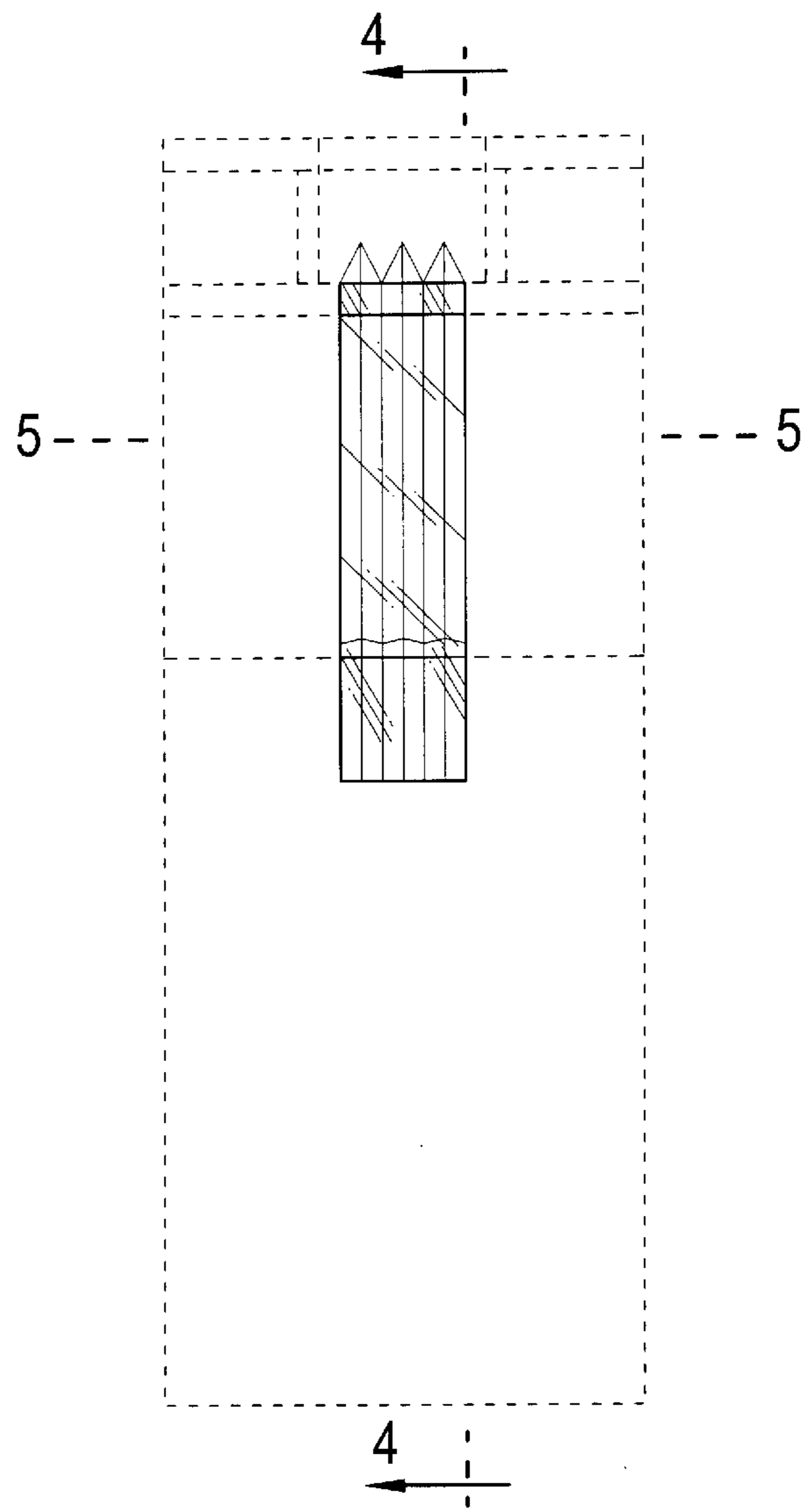


Fig. 2

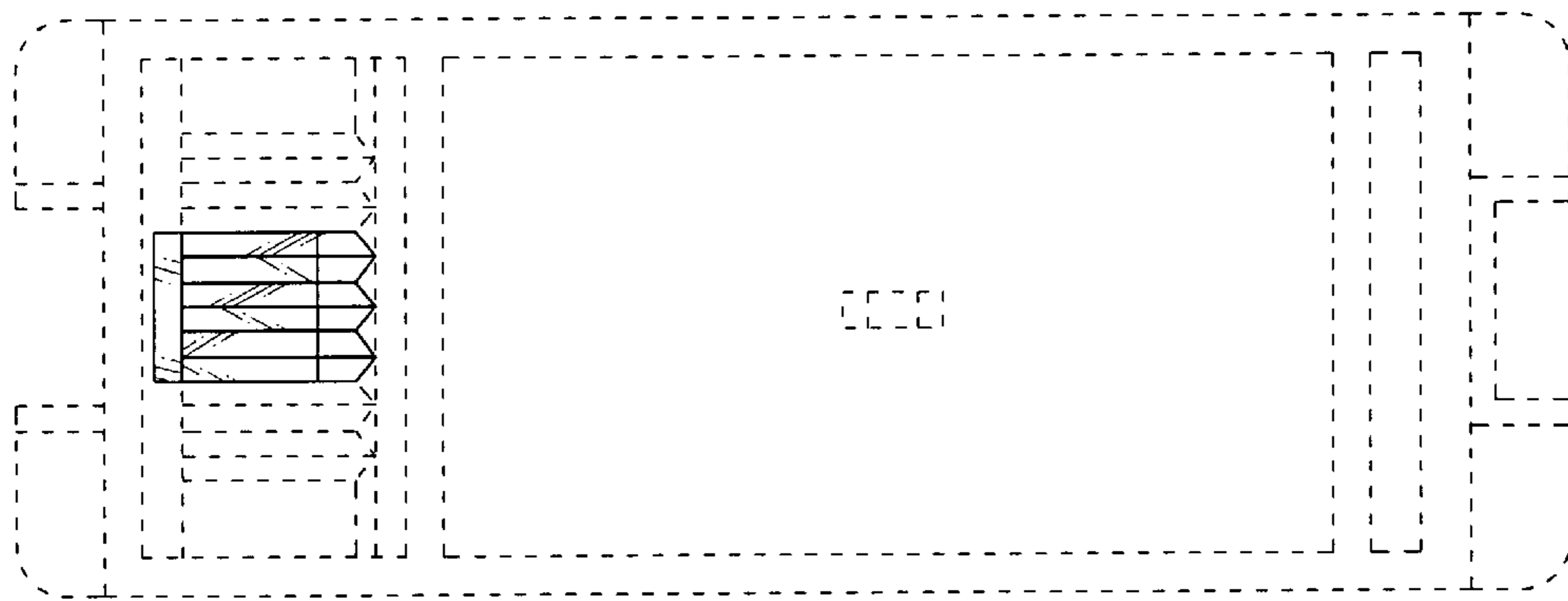


Fig. 3

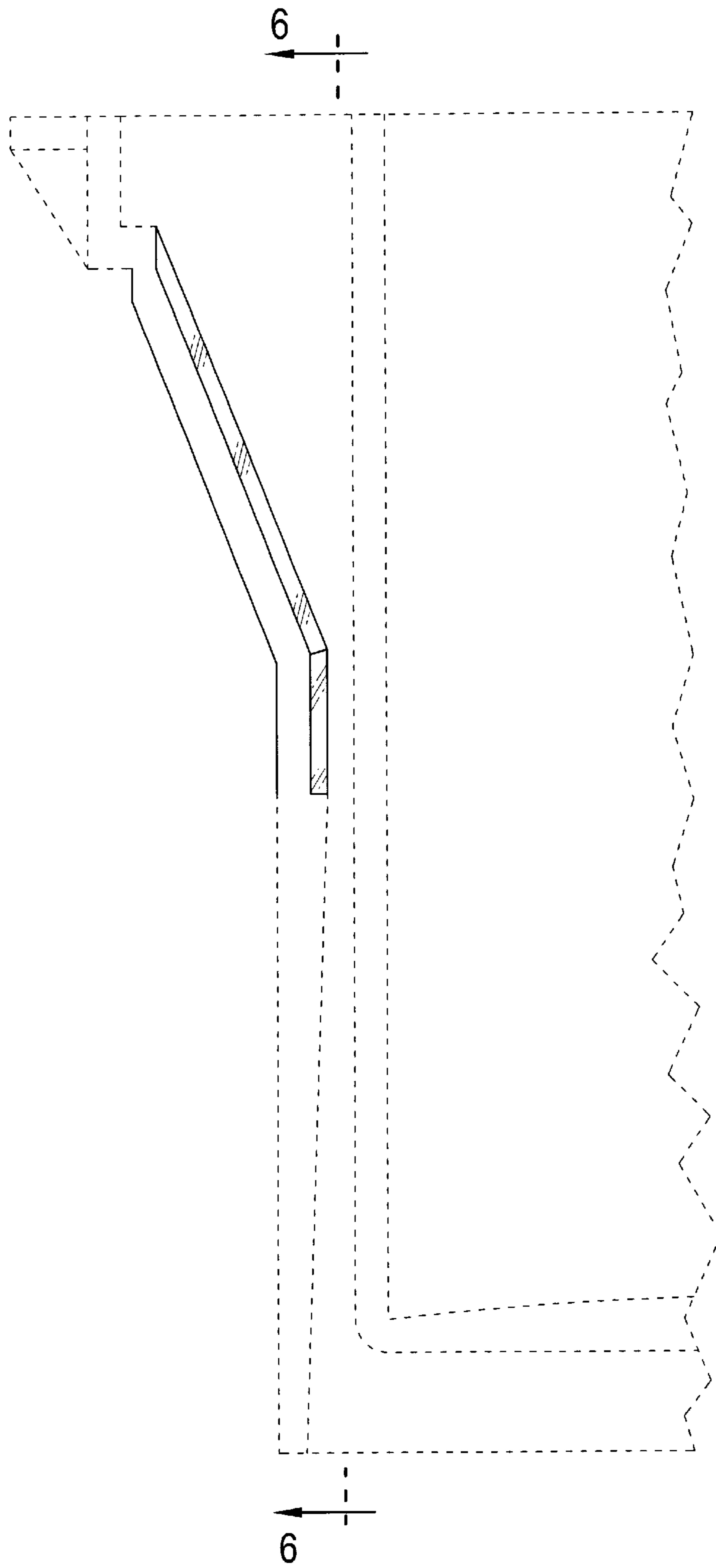


Fig. 4

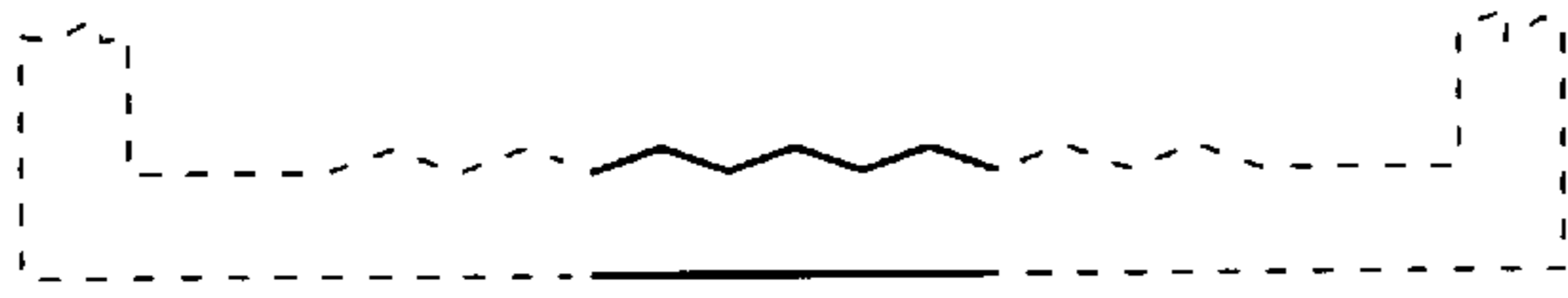


Fig. 5

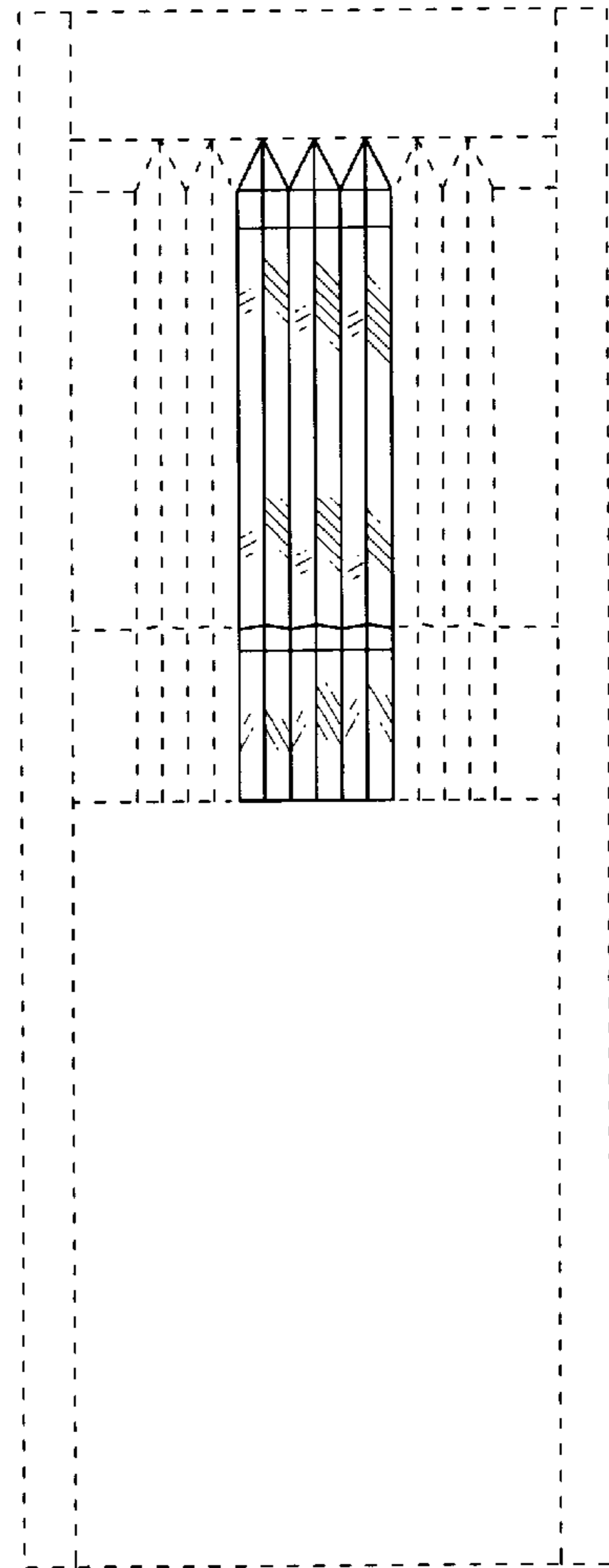


Fig. 6

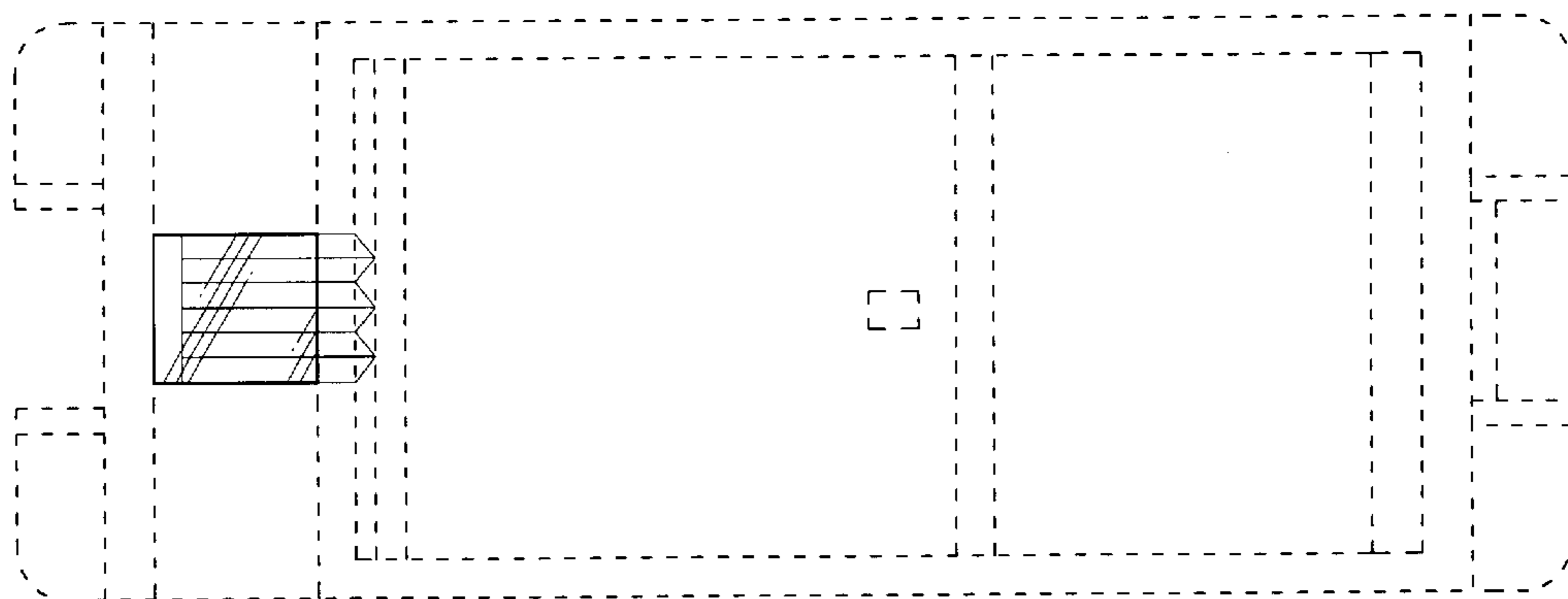


Fig. 7

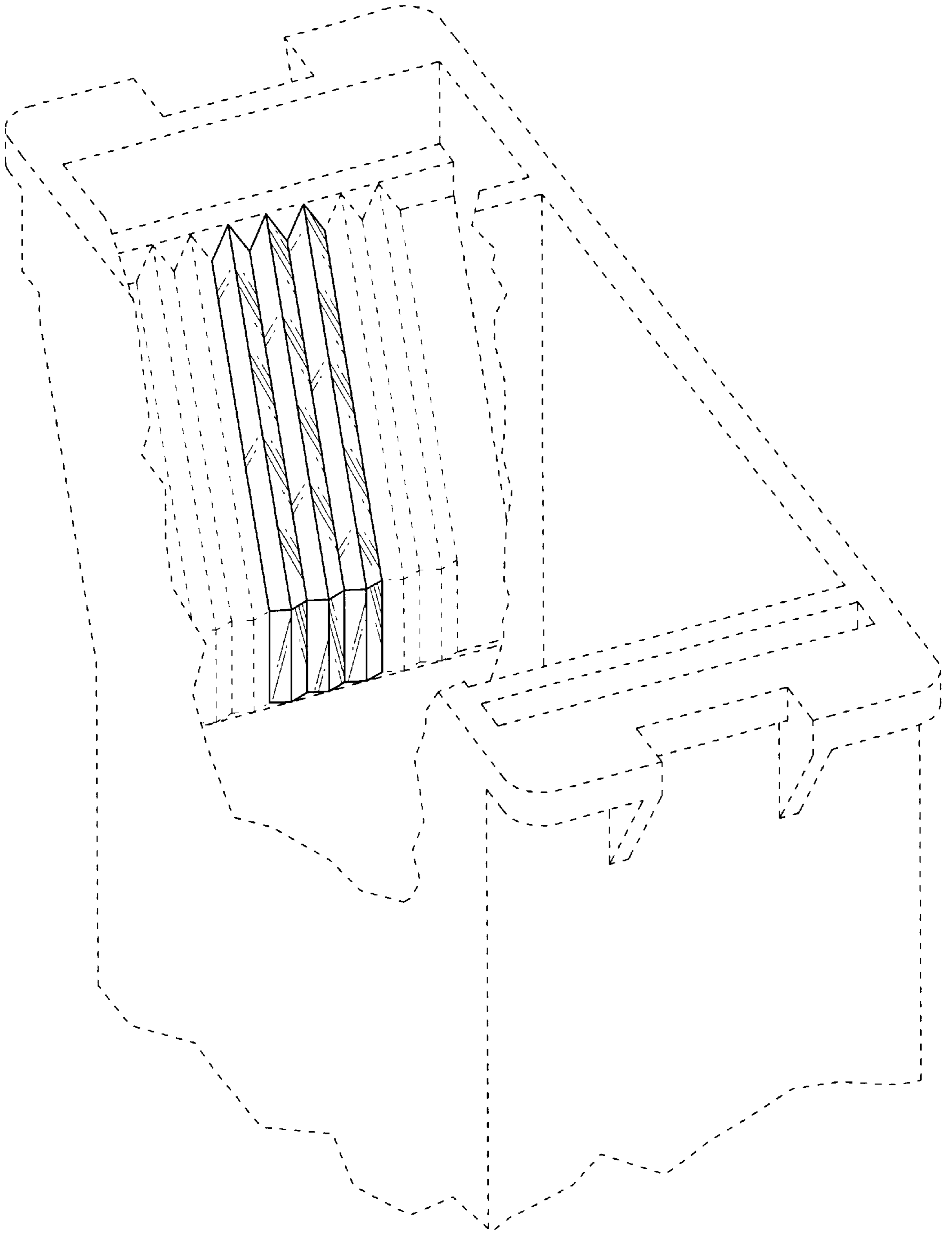


Fig. 8