



US00D479263S

(12) **United States Design Patent**  
**Batori et al.**

(10) **Patent No.:** **US D479,263 S**

(45) **Date of Patent:** **\*\* Sep. 2, 2003**

(54) **IMAGE FORMING APPARATUS**

D367,880 S \* 3/1996 Miyamoto ..... D18/43  
D462,984 S \* 9/2002 Hayashi et al. .... D18/40

(75) Inventors: **Yoshiyuki Batori**, Mishima (JP);  
**Masanari Morioka**, Numazu (JP);  
**Takeshi Arimitsu**, Odawara (JP);  
**Hiroaki Sasaki**, Yokohama (JP)

\* cited by examiner

(73) Assignee: **Canon Kabushiki Kaisha**, Tokyo (JP)

*Primary Examiner*—Caron D. Veynar  
(74) *Attorney, Agent, or Firm*—Fitzpatrick, Cella, Harper & Scinto

(\*\*) Term: **14 Years**

(57) **CLAIM**

(21) Appl. No.: **29/169,107**

The ornamental design for an image forming apparatus, as shown and described.

(22) Filed: **Oct. 16, 2002**

(30) **Foreign Application Priority Data**

**DESCRIPTION**

Apr. 22, 2002 (JP) ..... 2002-010711

FIG. 1 is a front view of an image forming apparatus showing our new design;

(51) **LOC (7) Cl.** ..... **16-03**

FIG. 2 is a rear view thereof;

(52) **U.S. Cl.** ..... **D18/40**

FIG. 3 is a top plan view thereof;

(58) **Field of Search** ..... D18/36, 40, 43;  
222/DIG. 1; 399/12, 24, 25, 27, 28, 31,  
106, 110-120, 130, 134, 252, 262

FIG. 4 is a bottom plan view thereof;

FIG. 5 is a left side view thereof;

FIG. 6 is a right side view thereof; and,

FIG. 7 is a perspective view thereof.

(56) **References Cited**

**U.S. PATENT DOCUMENTS**

D366,277 S \* 1/1996 Kawamura ..... D18/43

**1 Claim, 6 Drawing Sheets**

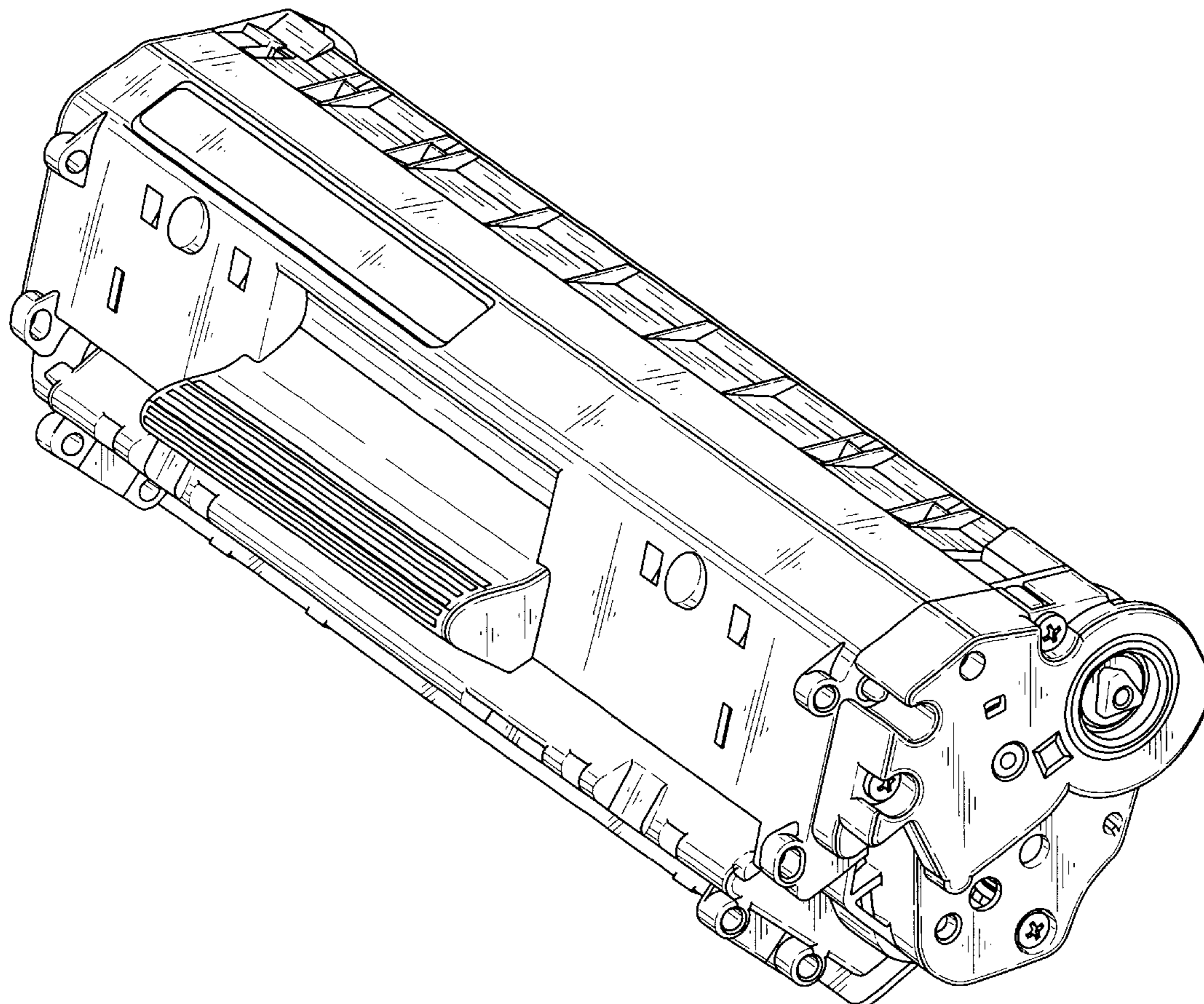


FIG. 1

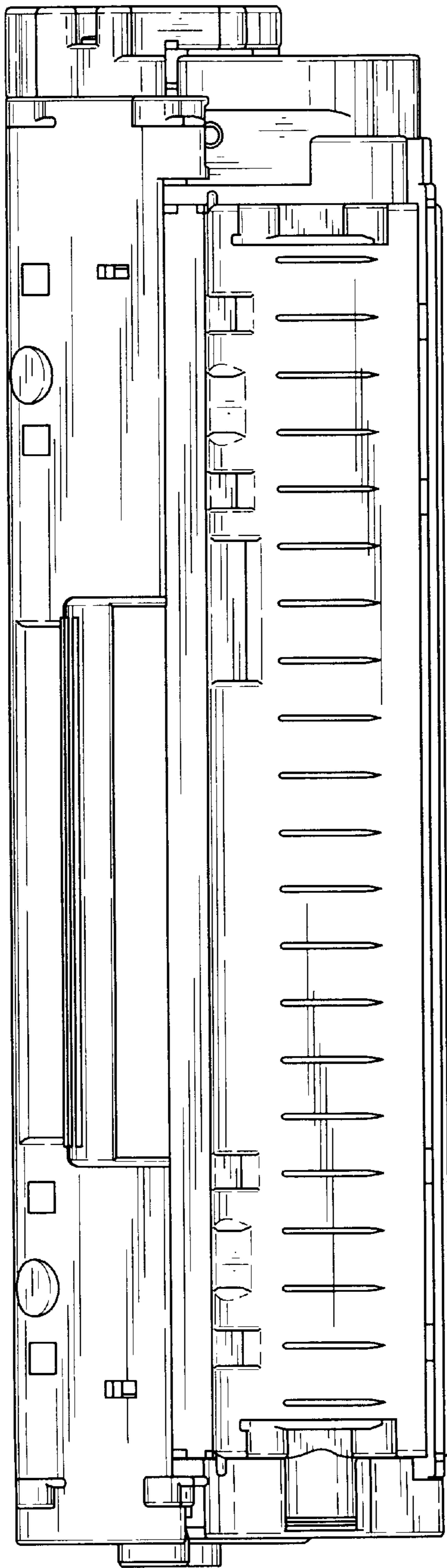


FIG. 2

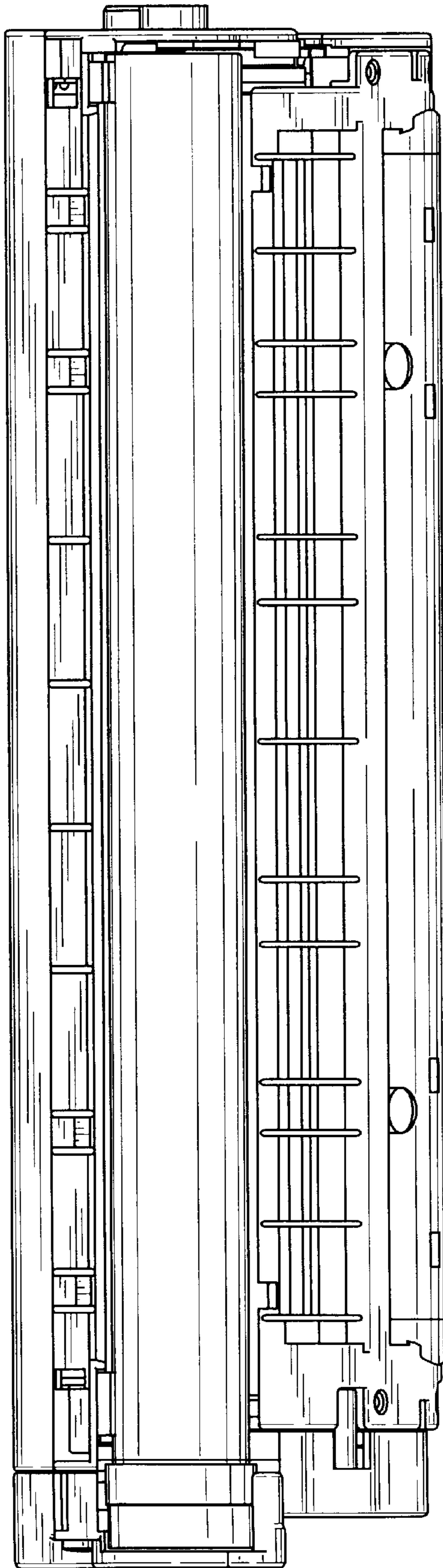
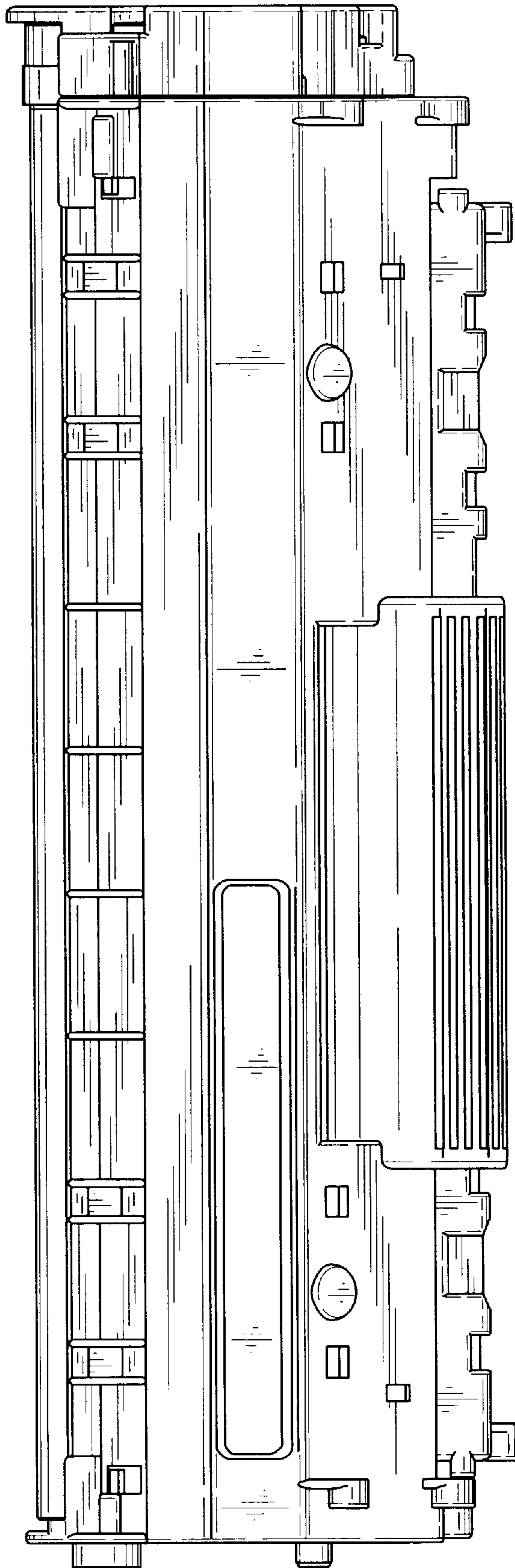
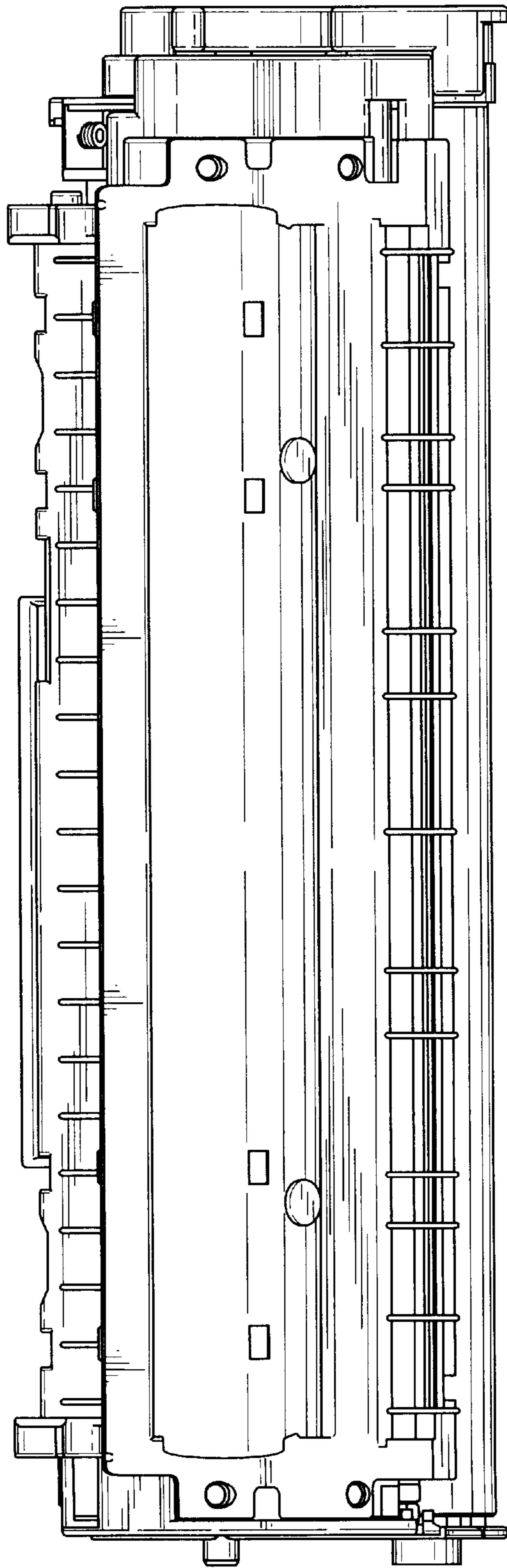


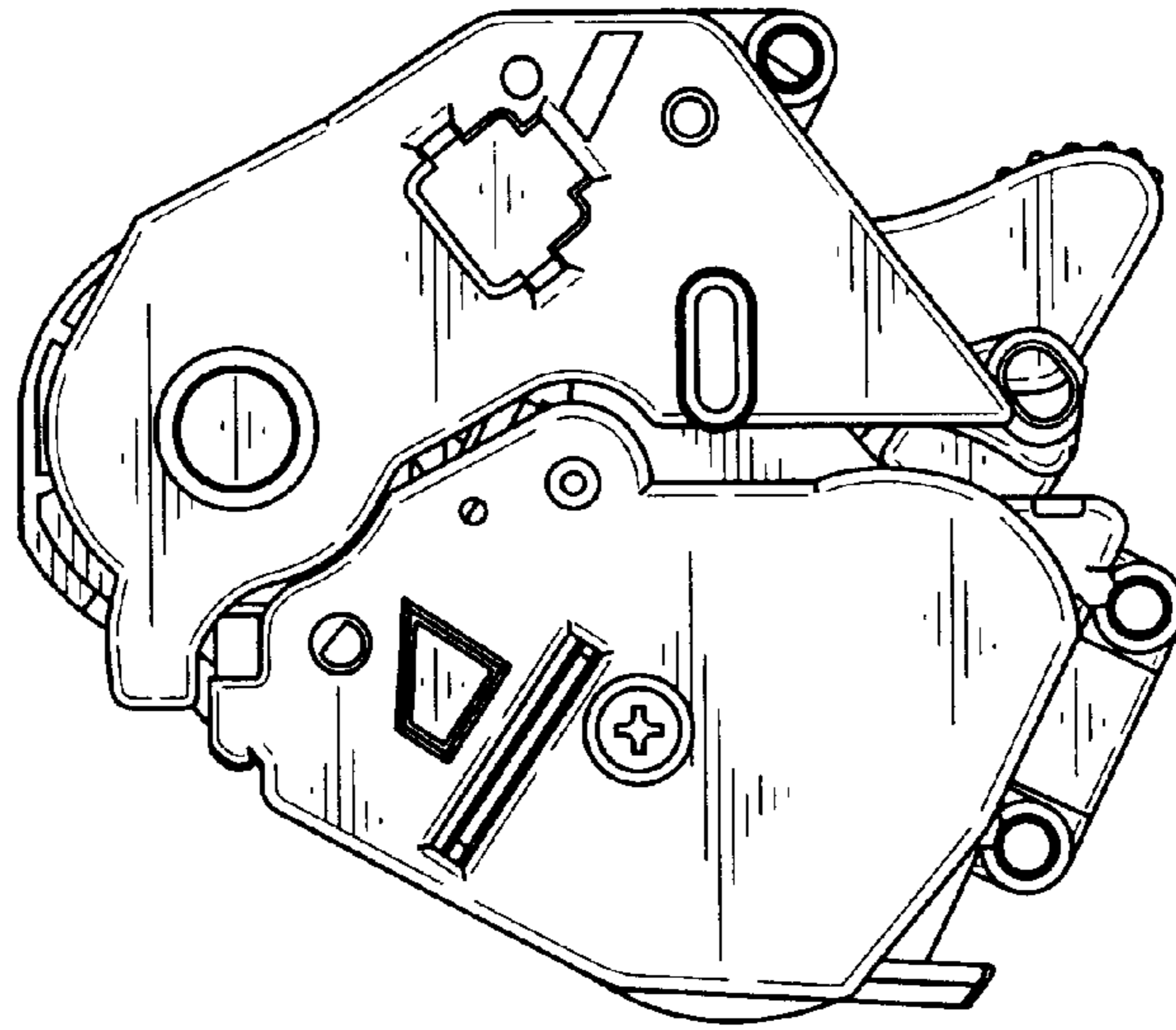
FIG. 3



*FIG. 4*



*FIG. 5*



*FIG. 6*

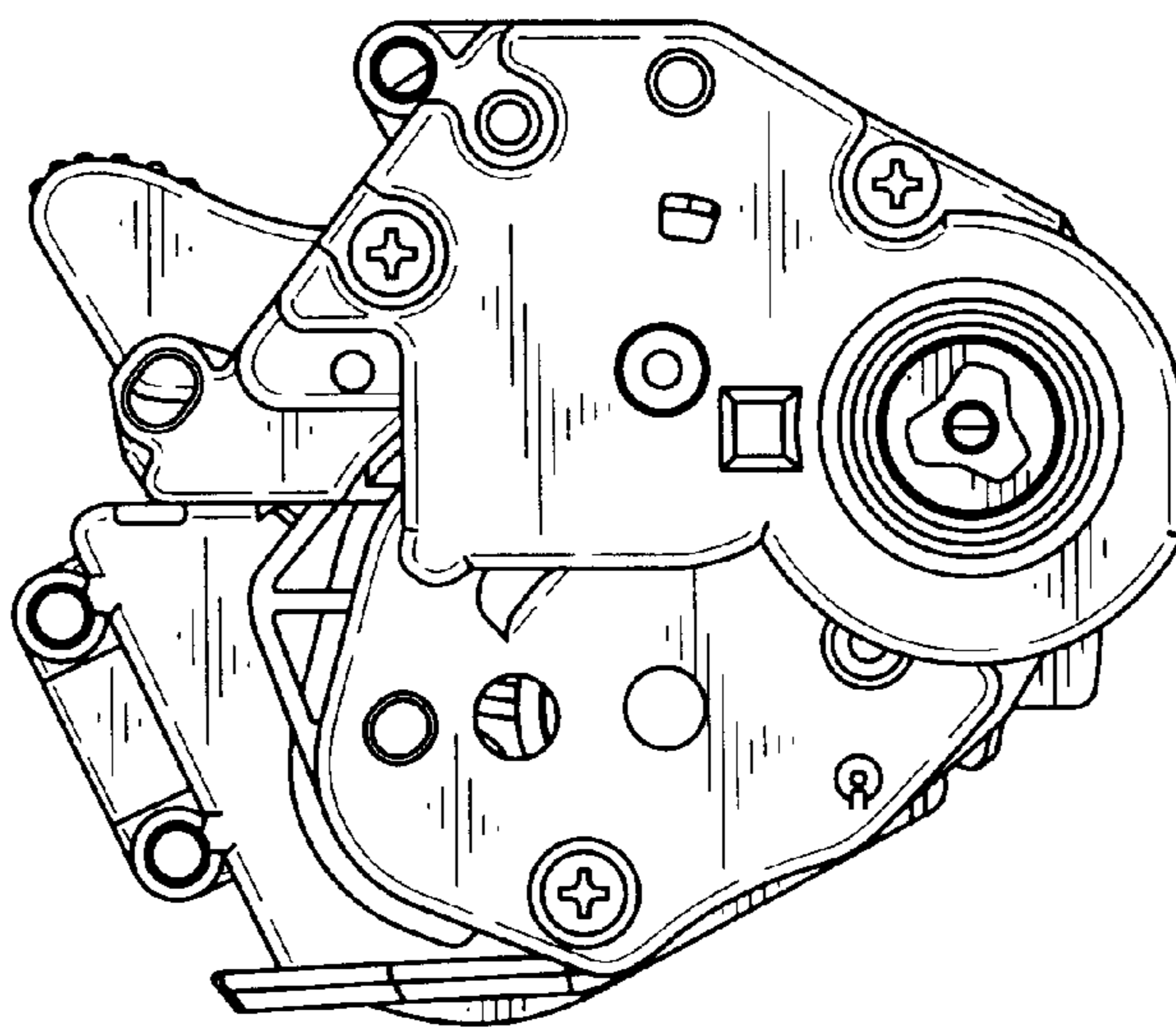


FIG. 7

