



US00D479260S

(12) **United States Design Patent**  
**Hamamura**

(10) **Patent No.:** **US D479,260 S**

(45) **Date of Patent:** **\*\* Sep. 2, 2003**

(54) **VIEWER FOR STEREOGRAPH**

(75) Inventor: **Toshihiro Hamamura**, Tokyo (JP)

(73) Assignee: **Pentax Corporation**, Tokyo (JP)

(\*\*) Term: **14 Years**

(21) Appl. No.: **29/165,830**

(22) Filed: **Aug. 19, 2002**

(51) **LOC (7) Cl.** ..... **16-02**

(52) **U.S. Cl.** ..... **D16/222**

(58) **Field of Search** ..... D16/221, 222,  
D16/225, 229; 40/361-367; 359/462, 463,  
466, 467, 472, 474

(56) **References Cited**

**U.S. PATENT DOCUMENTS**

472,196 A	*	4/1892	McGrew	.....	359/474
2,313,562 A	*	3/1943	Mainardi et al.	.....	359/472
2,616,333 A	*	11/1952	Tinker	.....	359/467
D290,016 S	*	5/1987	Vitrac	.....	D16/222
D391,282 S	*	2/1998	Evers	.....	D16/222

**FOREIGN PATENT DOCUMENTS**

JP 2-275921 \* 11/1990 ..... G02B/27/22

\* cited by examiner

*Primary Examiner*—Adir Aronovich

(74) *Attorney, Agent, or Firm*—Sughrue Mion, PLLC

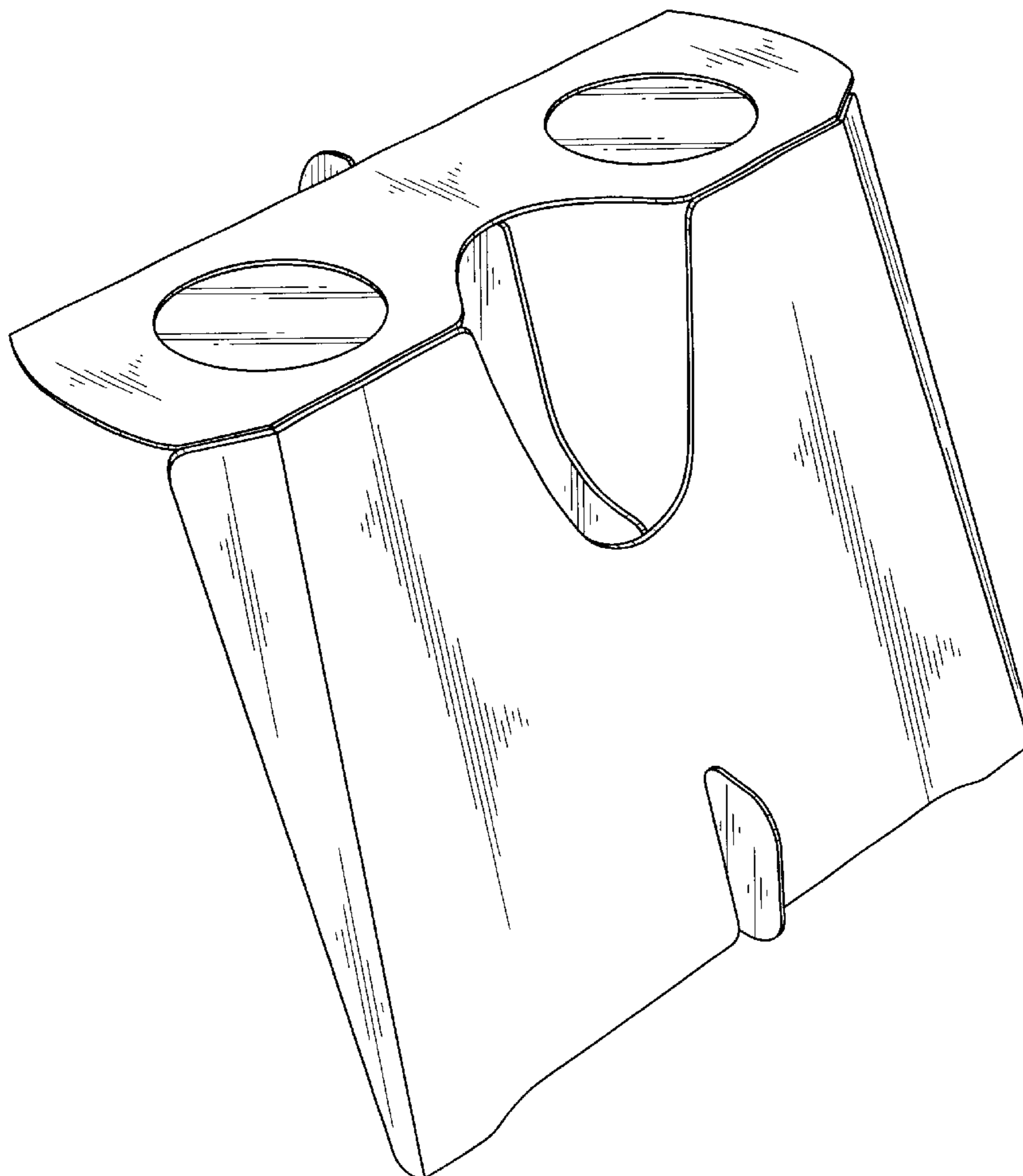
(57) **CLAIM**

The ornamental design for a viewer for stereograph, as shown.

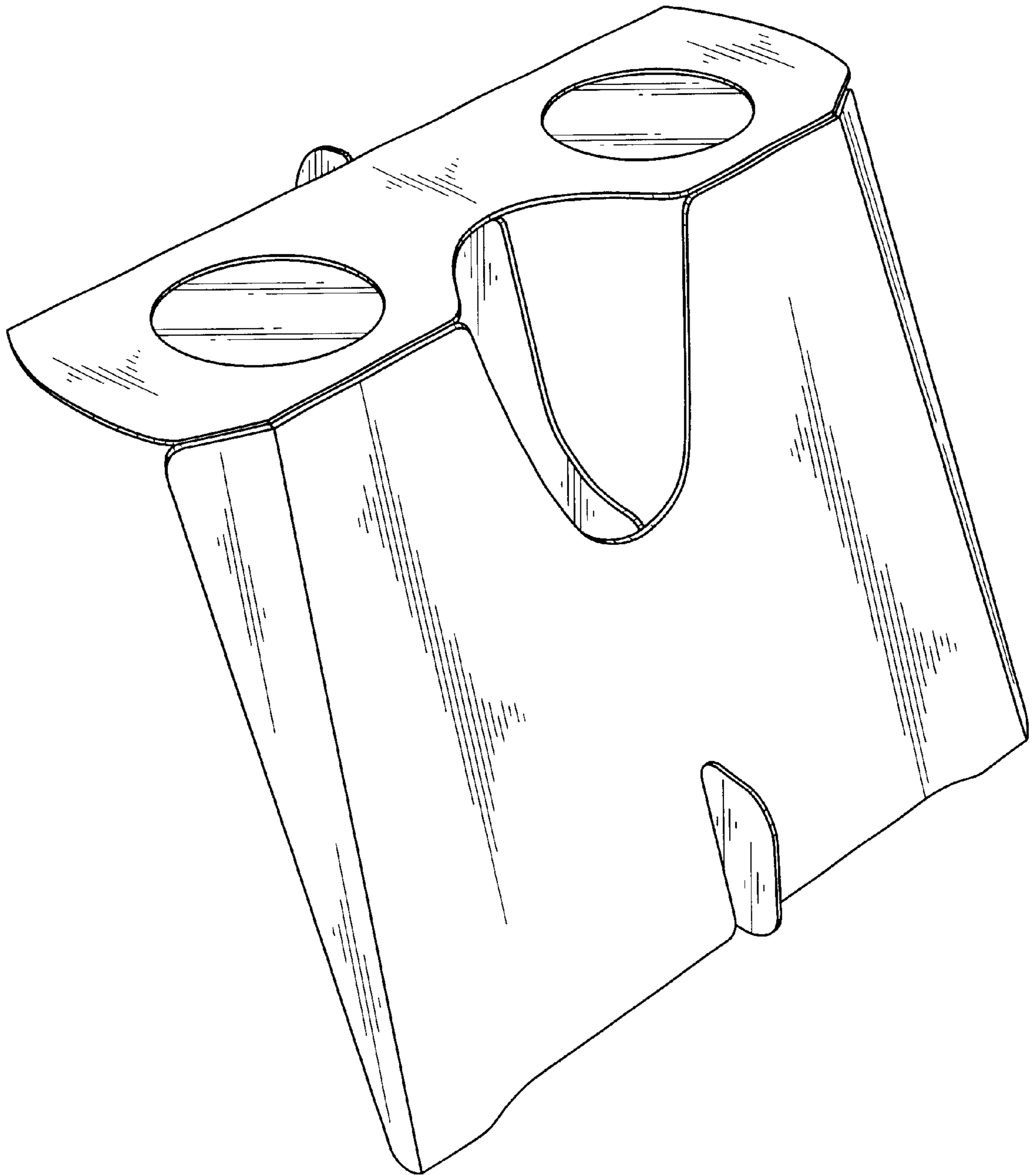
**DESCRIPTION**

FIG. 1 is a perspective view of the front, bottom and left side of a viewer for stereograph showing my new design; FIG. 2 is a bottom plan view thereof; FIG. 3 is a top plan view thereof; FIG. 4 is a right side elevational view thereof; FIG. 5 is a left side elevational view thereof; FIG. 6 is a front elevational view thereof; and, FIG. 7 is a rear elevational view thereof.

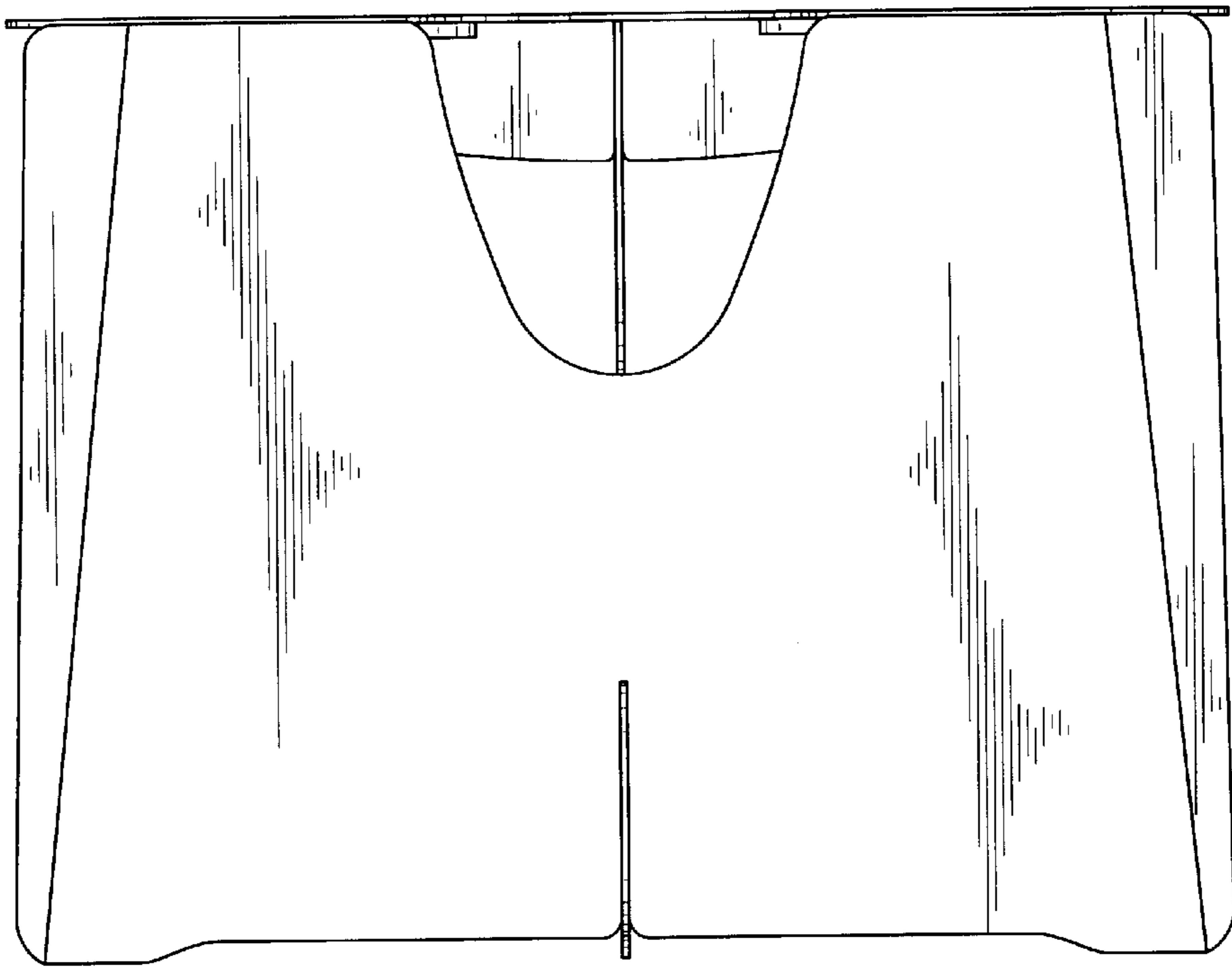
**1 Claim, 4 Drawing Sheets**



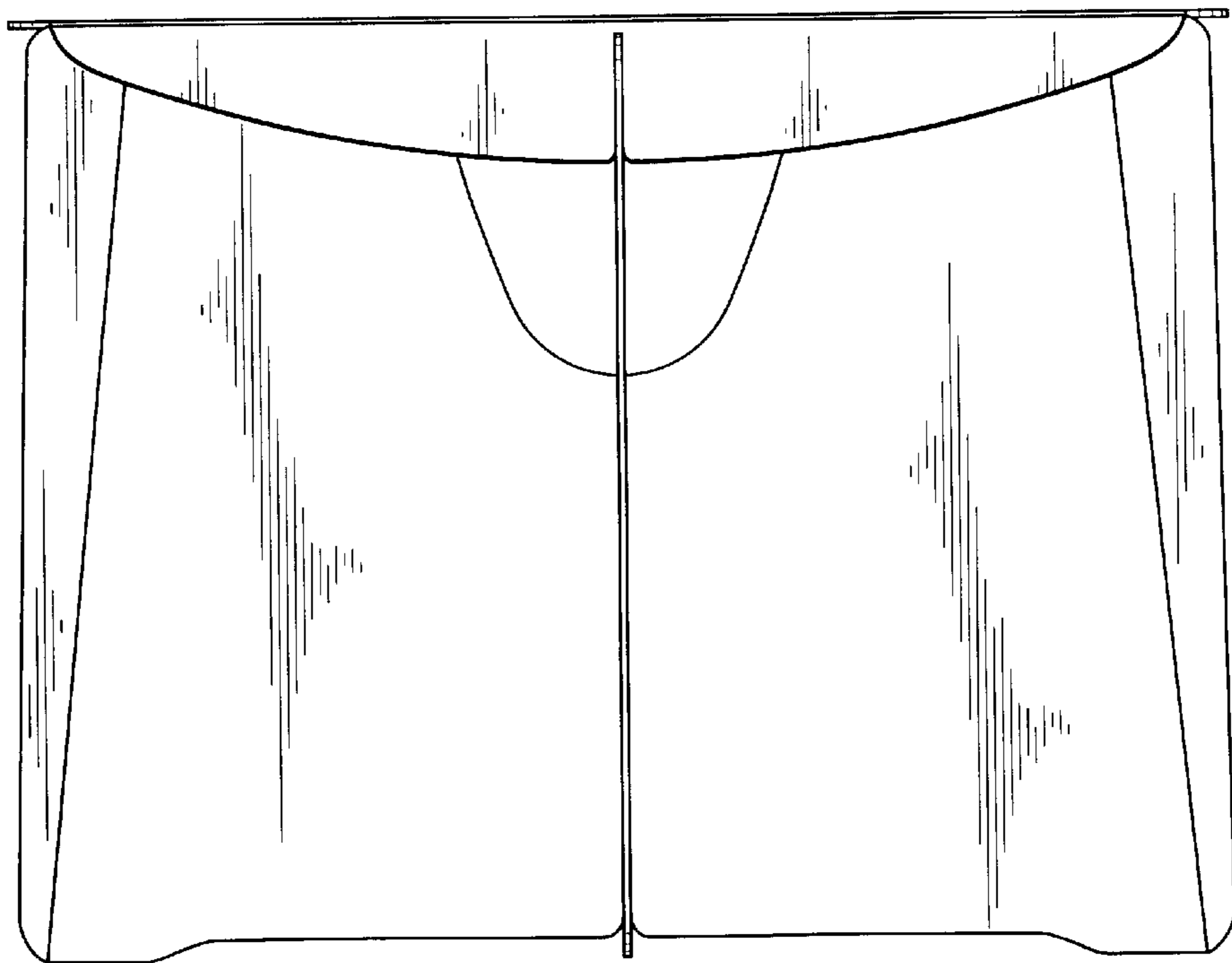
*FIG. 1*



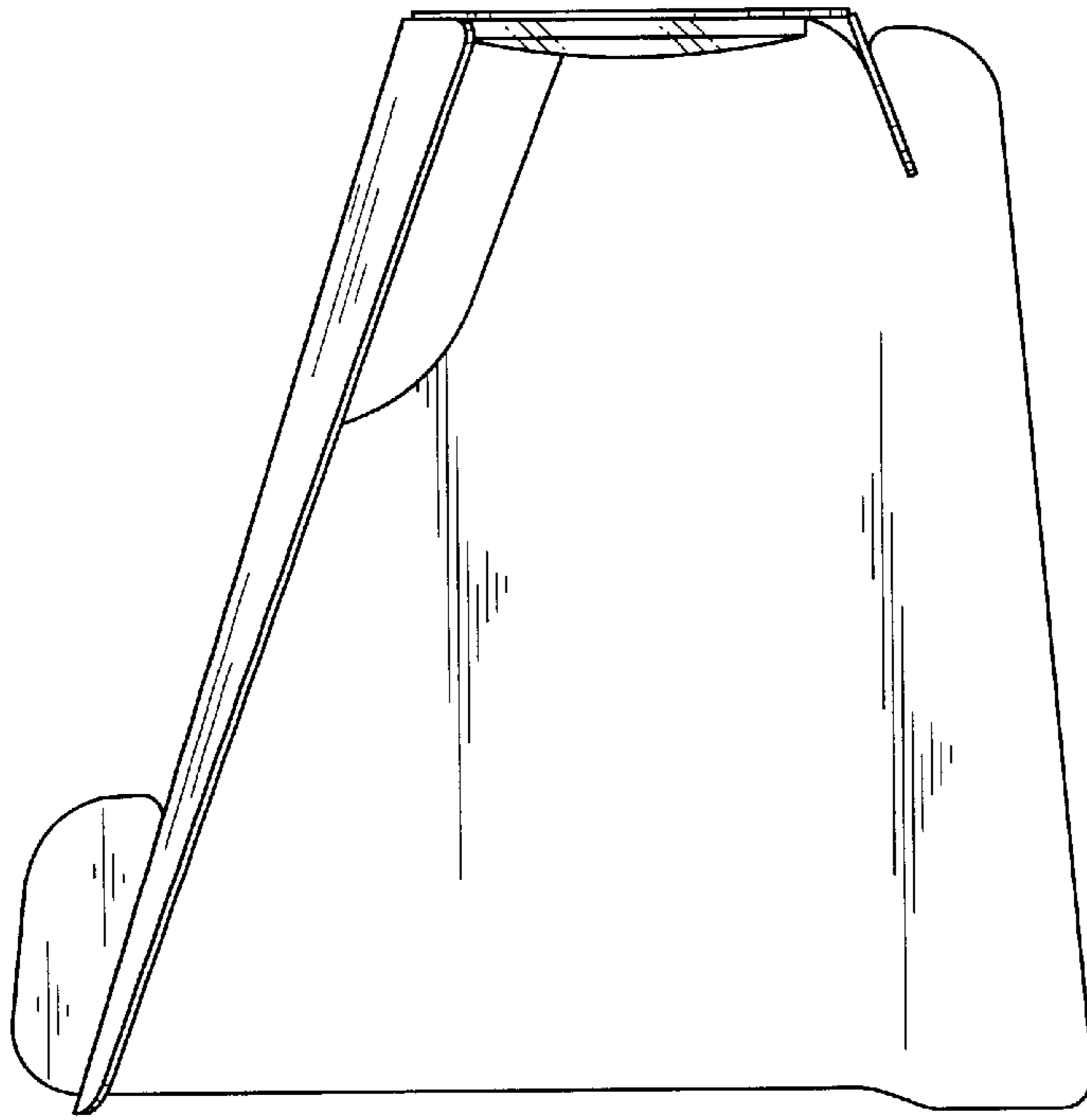
**FIG. 2**



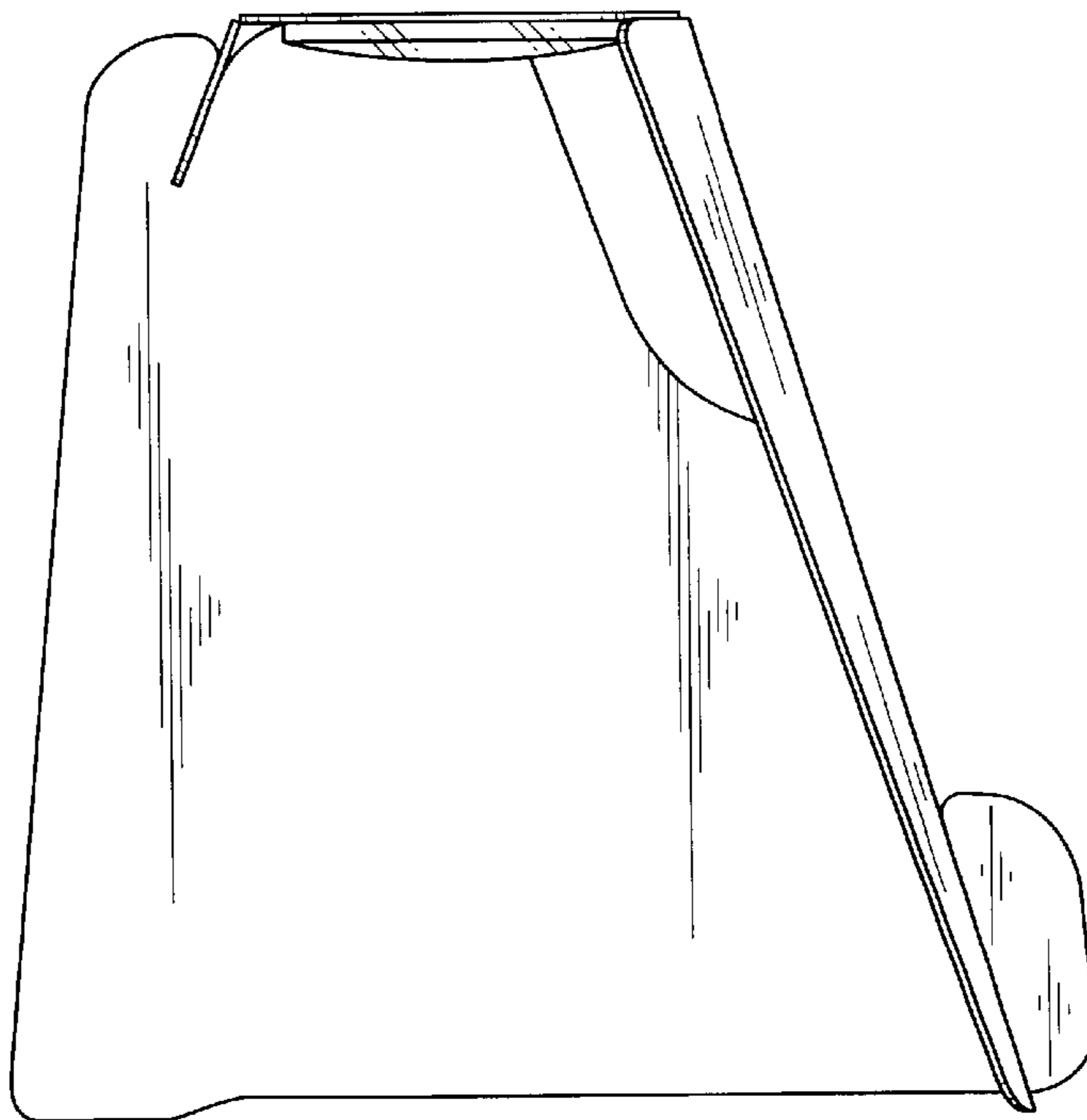
**FIG. 3**



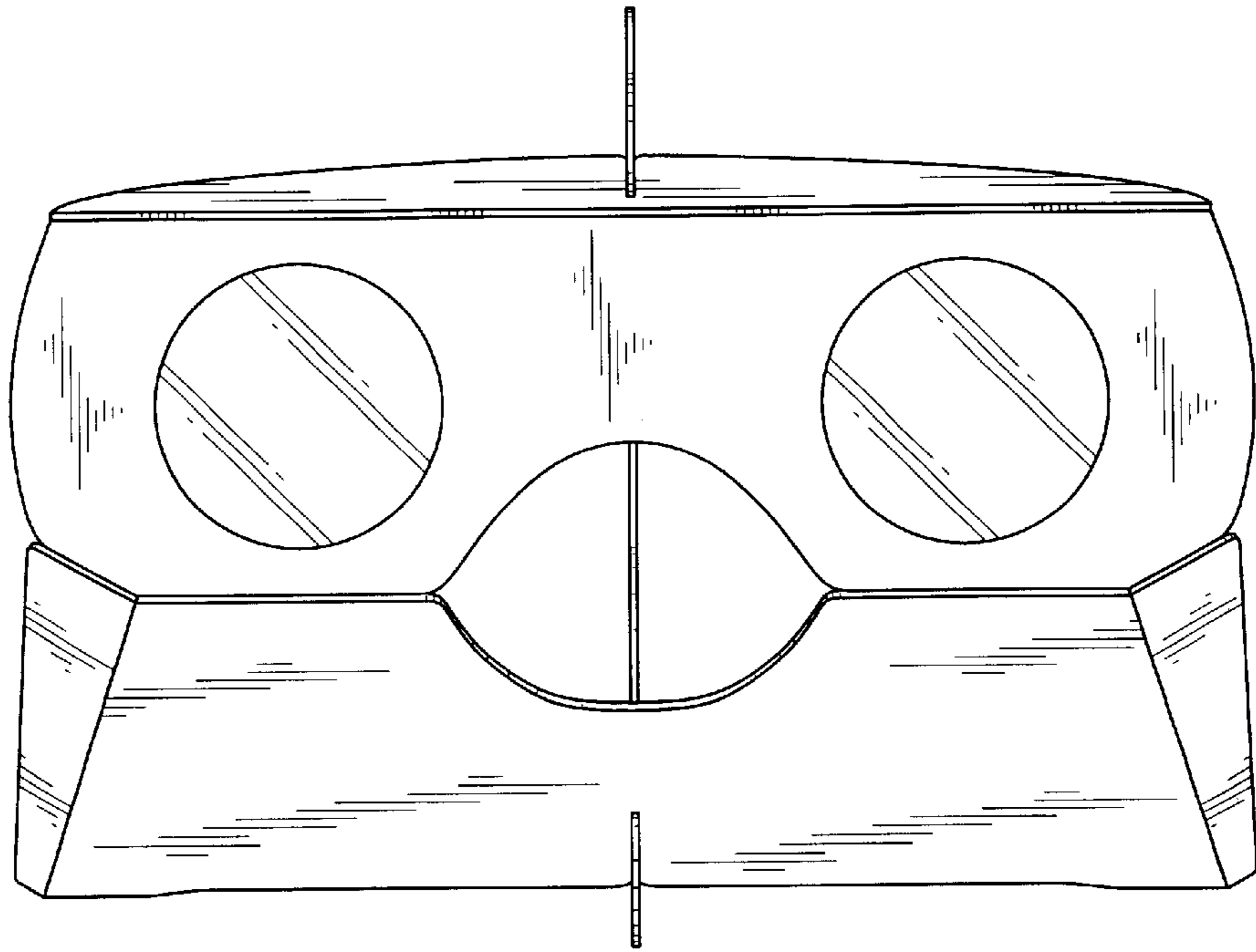
**FIG. 4**



**FIG. 5**



**FIG. 6**



**FIG. 7**

