



US00D479258S

(12) **United States Design Patent**
Kibayashi

(10) **Patent No.:** **US D479,258 S**

(45) **Date of Patent:** **** Sep. 2, 2003**

(54) **CAMERA**

(75) Inventor: **Hiroshi Kibayashi, Hino (JP)**

(73) Assignee: **Konica Corporation, Tokyo (JP)**

(**) Term: **14 Years**

(21) Appl. No.: **29/151,153**

(22) Filed: **Nov. 1, 2001**

(30) **Foreign Application Priority Data**

May 10, 2001 (JP) 2001-013342

(51) **LOC (7) Cl.** **16-01**

(52) **U.S. Cl.** **D16/209; D16/218**

(58) **Field of Search** **D16/200-205,**
D16/208, 209, 218; 396/6, 535, 536-541

(56) **References Cited**

U.S. PATENT DOCUMENTS

- D404,751 S * 1/1999 Takaba D16/209
- D415,512 S * 10/1999 Takaba D16/209
- D427,619 S * 7/2000 Mizoguchi et al. D16/209
- D447,501 S * 9/2001 Mizoguchi et al. D16/209

- D462,373 S * 9/2002 Nihei et al. D16/209
- D462,977 S * 9/2002 Yamaguchi D16/209
- 6,449,430 B1 * 9/2002 Tasaka et al. 396/6

* cited by examiner

Primary Examiner—Adir Aronovich

(74) *Attorney, Agent, or Firm*—Frishauf, Holtz, Goodman & Chick, P.C.

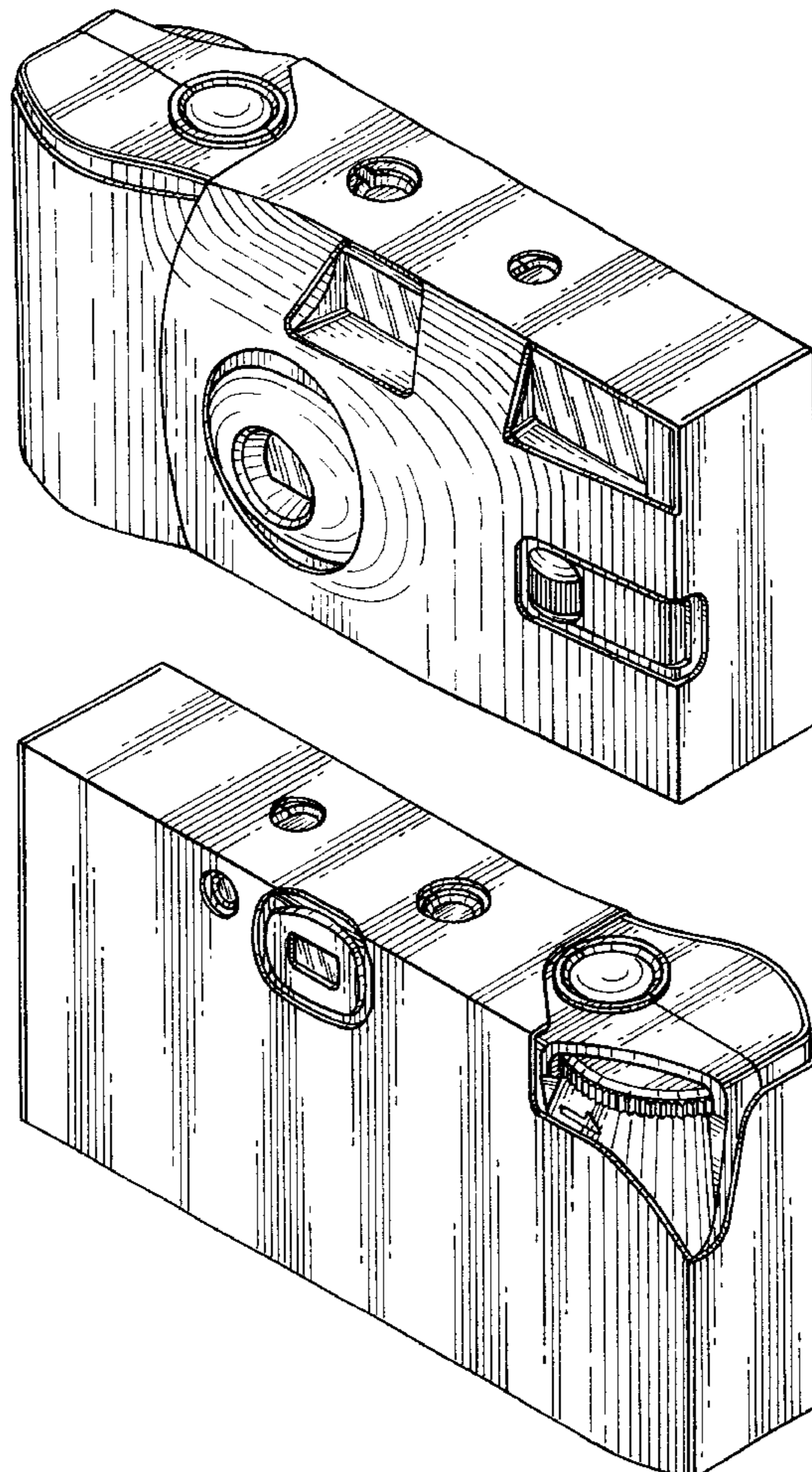
(57) **CLAIM**

The ornamental design for a camera, as shown and described.

DESCRIPTION

FIG. 1 is a front view of a camera showing my new design;
 FIG. 2 is a rear view thereof;
 FIG. 3 is a top plan view thereof;
 FIG. 4 is a bottom plan view thereof;
 FIG. 5 is a right side view thereof;
 FIG. 6 is a left side view thereof;
 FIG. 7 is a front, top, right side perspective view thereof;
 and,
 FIG. 8 is a rear, top, left side perspective view thereof.

1 Claim, 2 Drawing Sheets



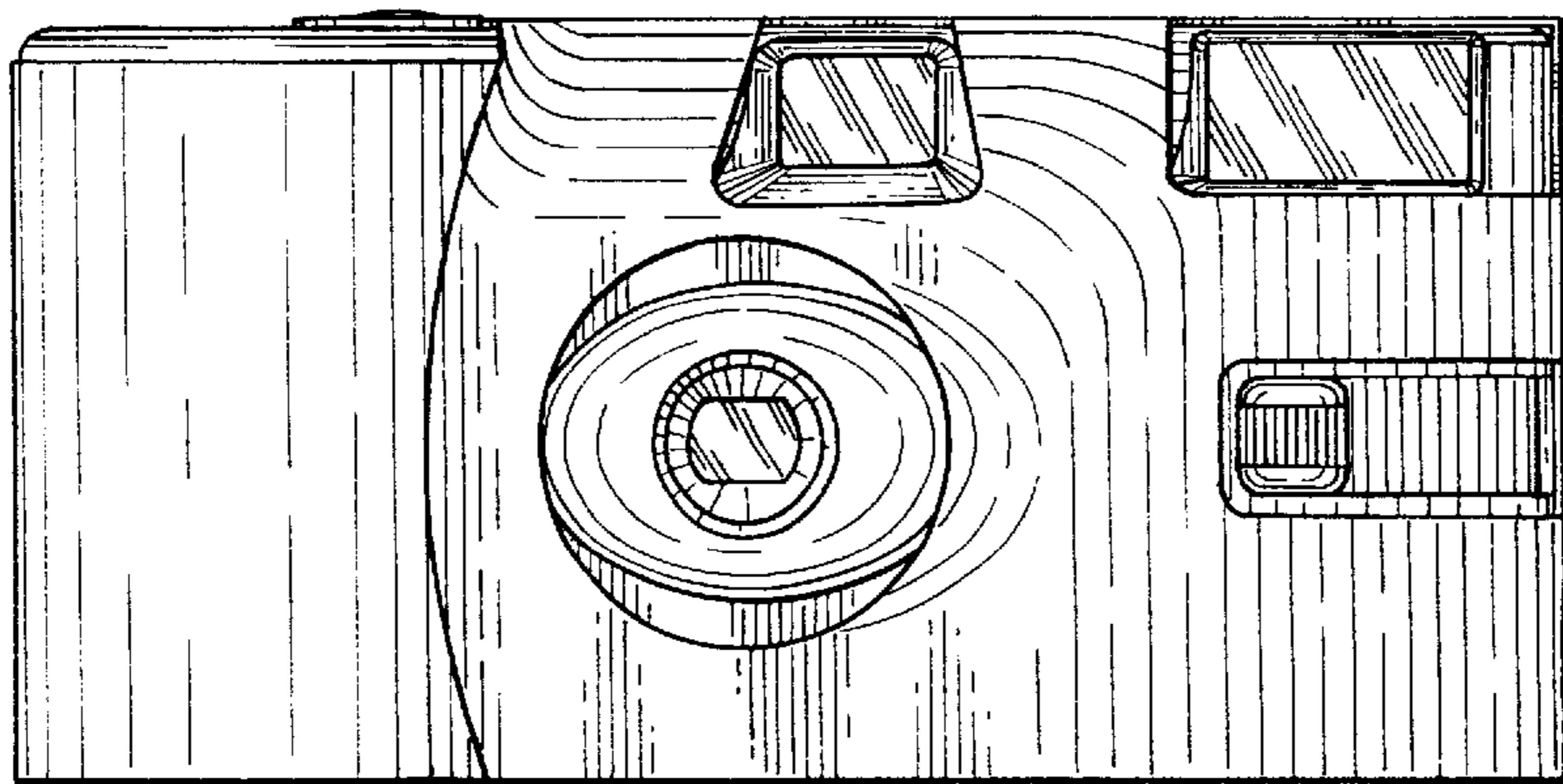


Fig. 1

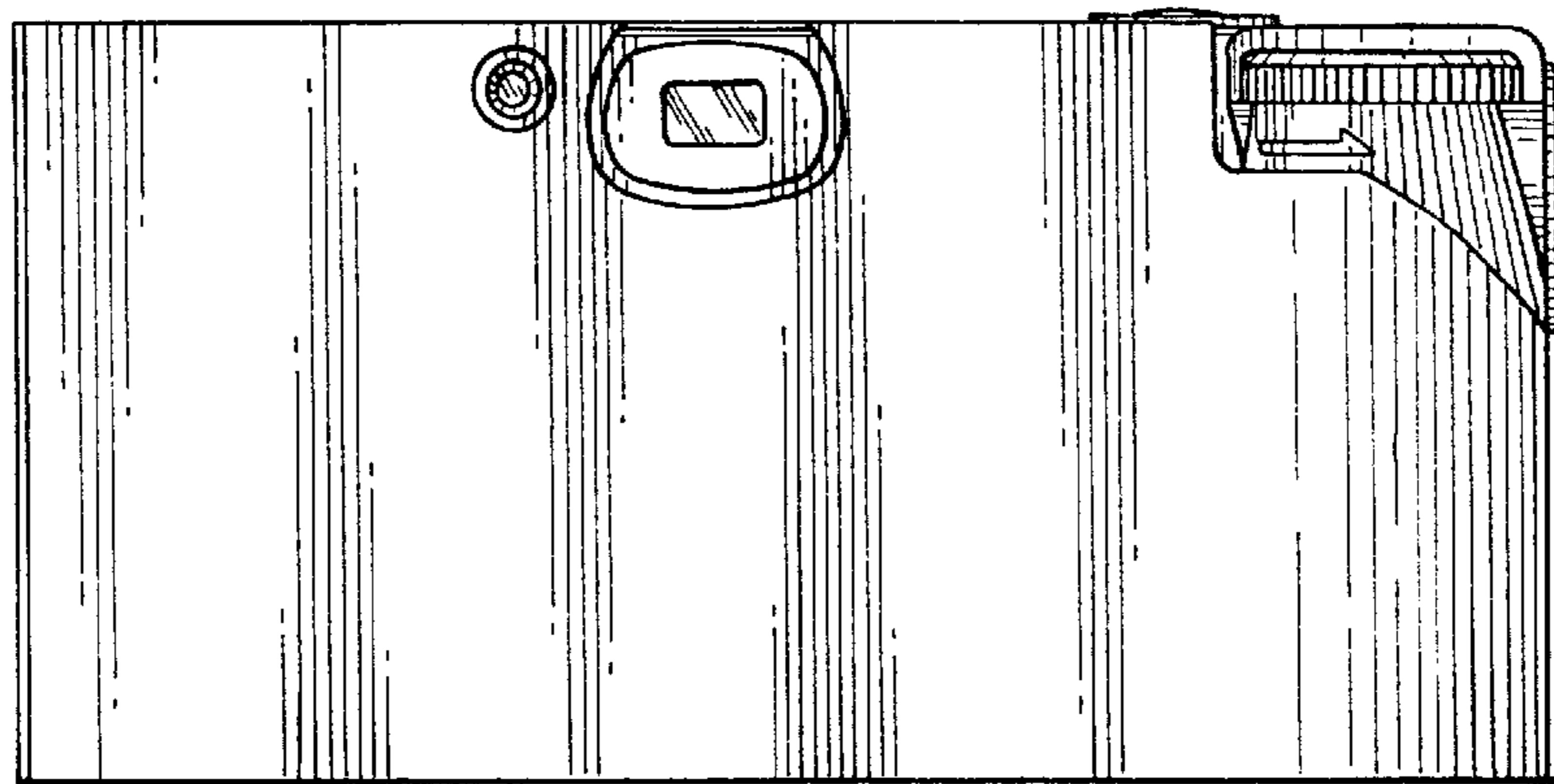


Fig. 2

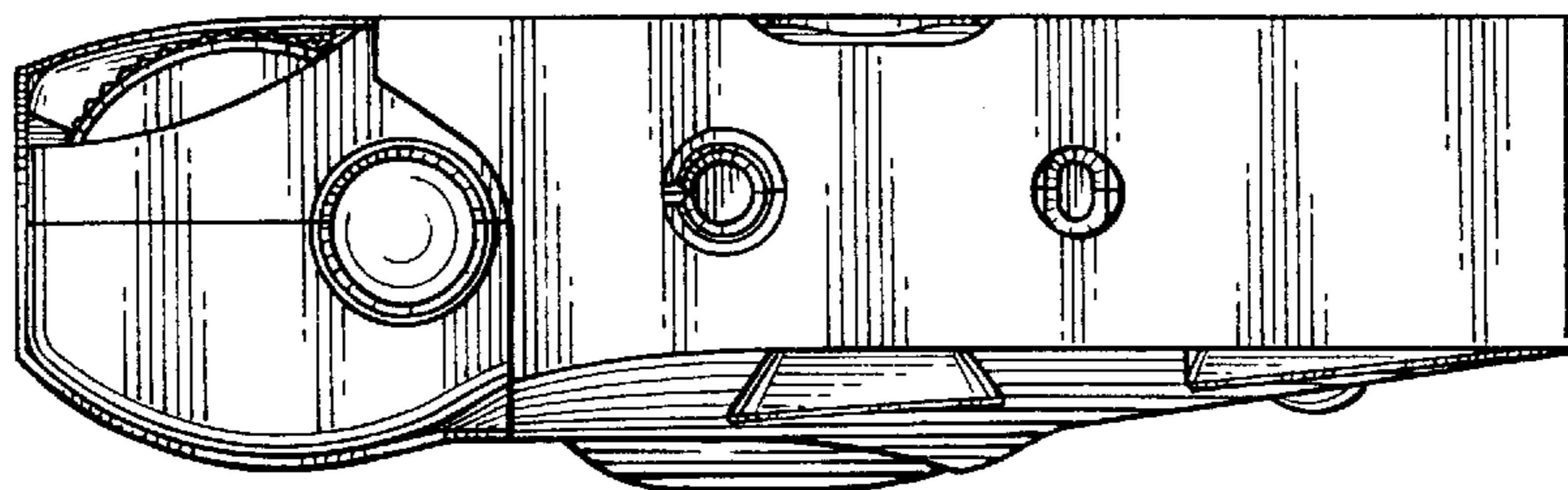


Fig. 3

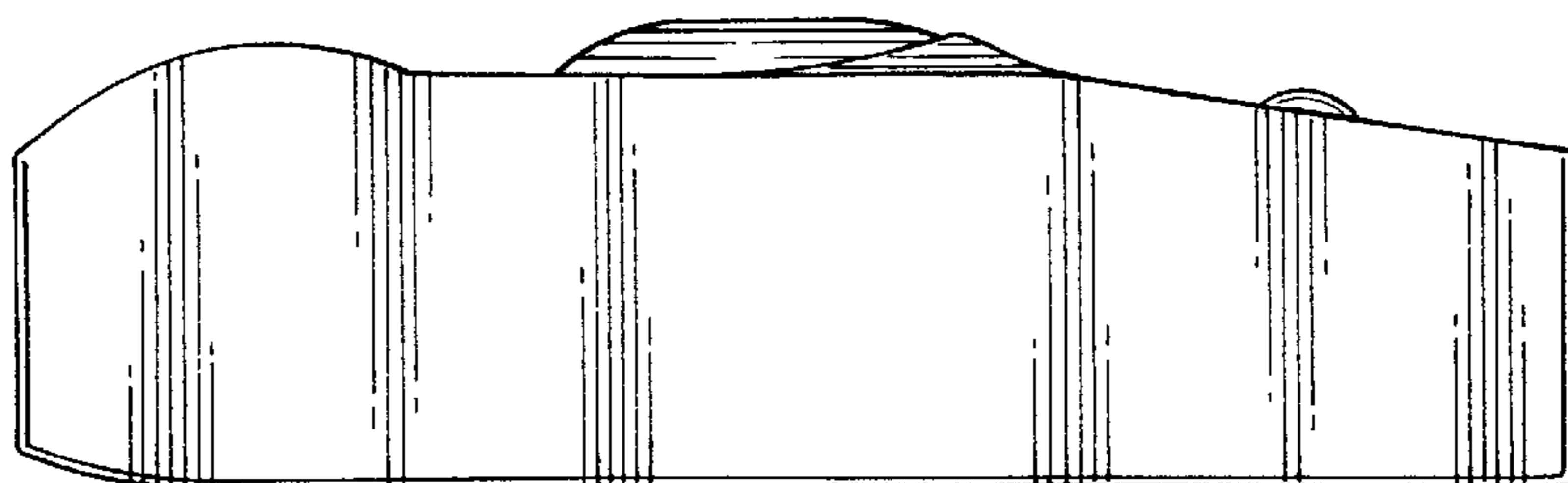


Fig. 4

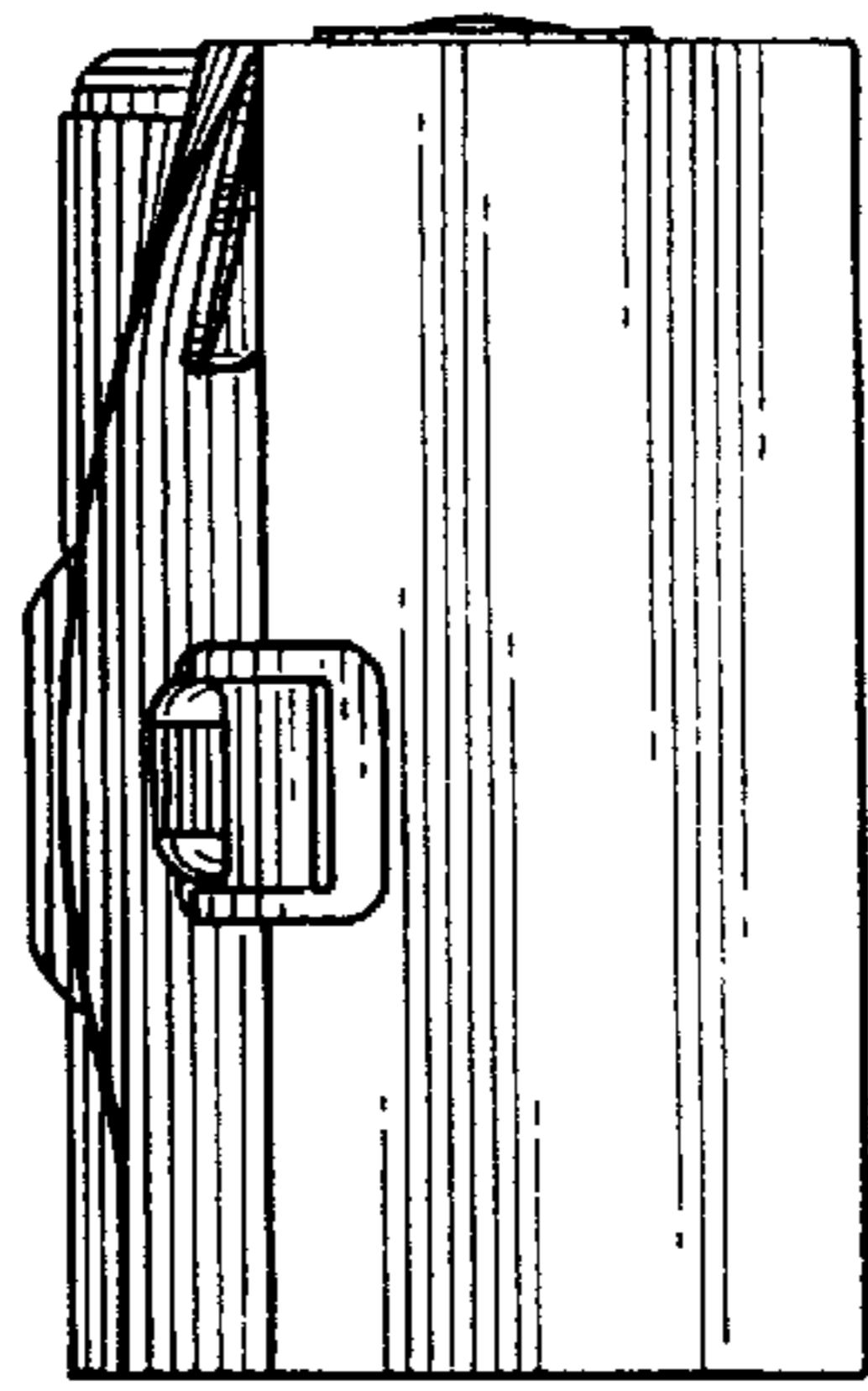


Fig. 5

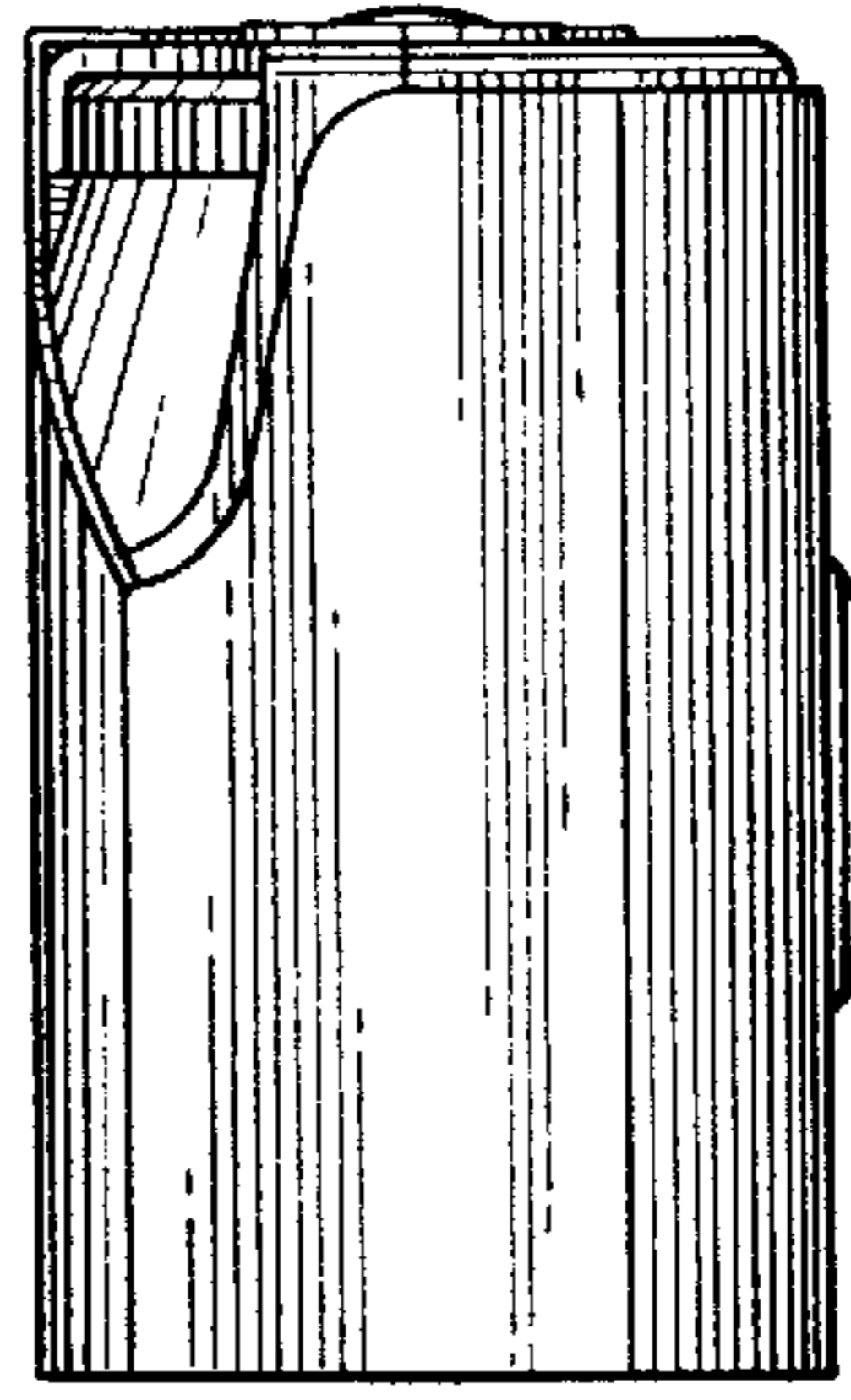


Fig. 6

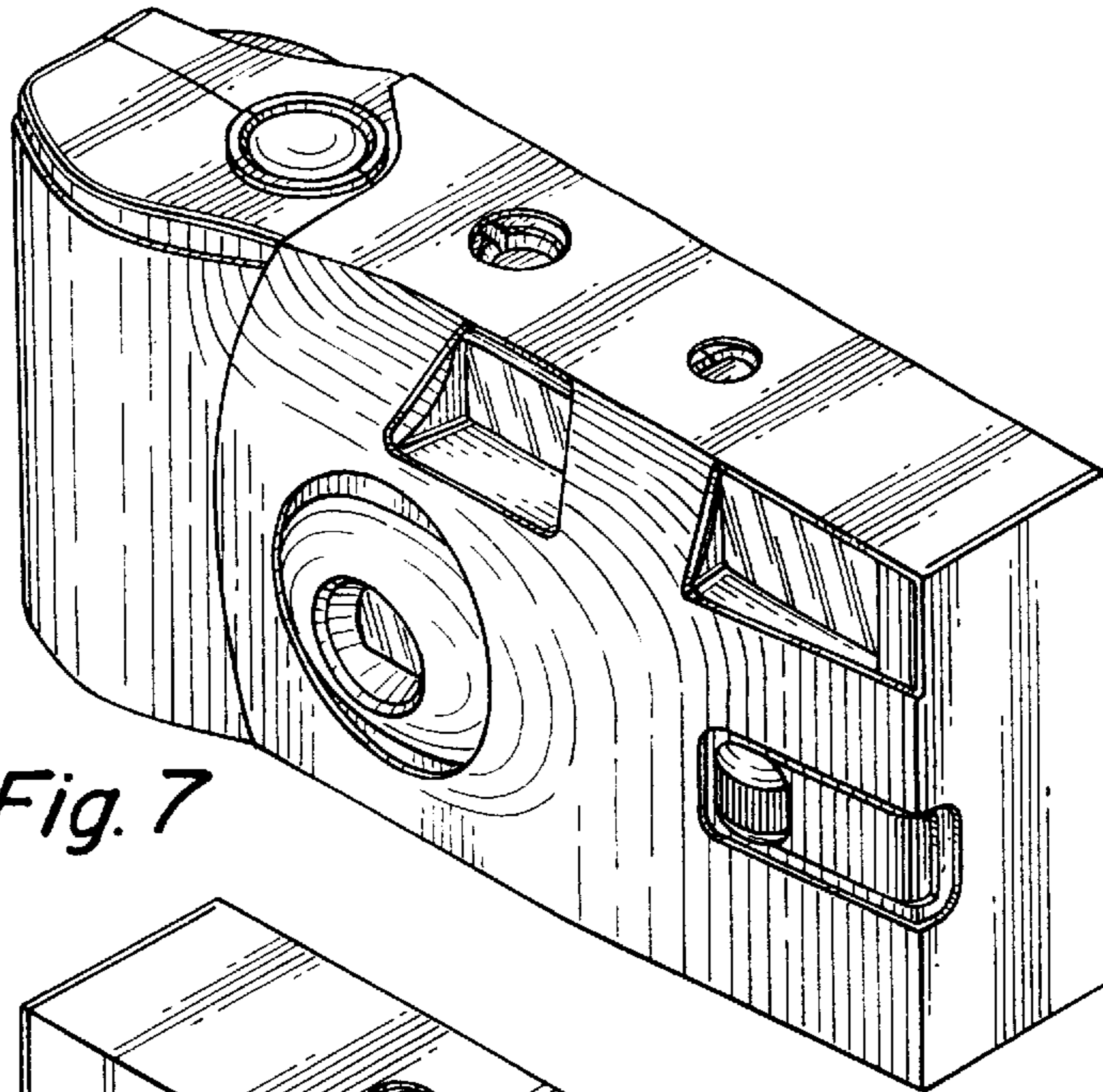


Fig. 7

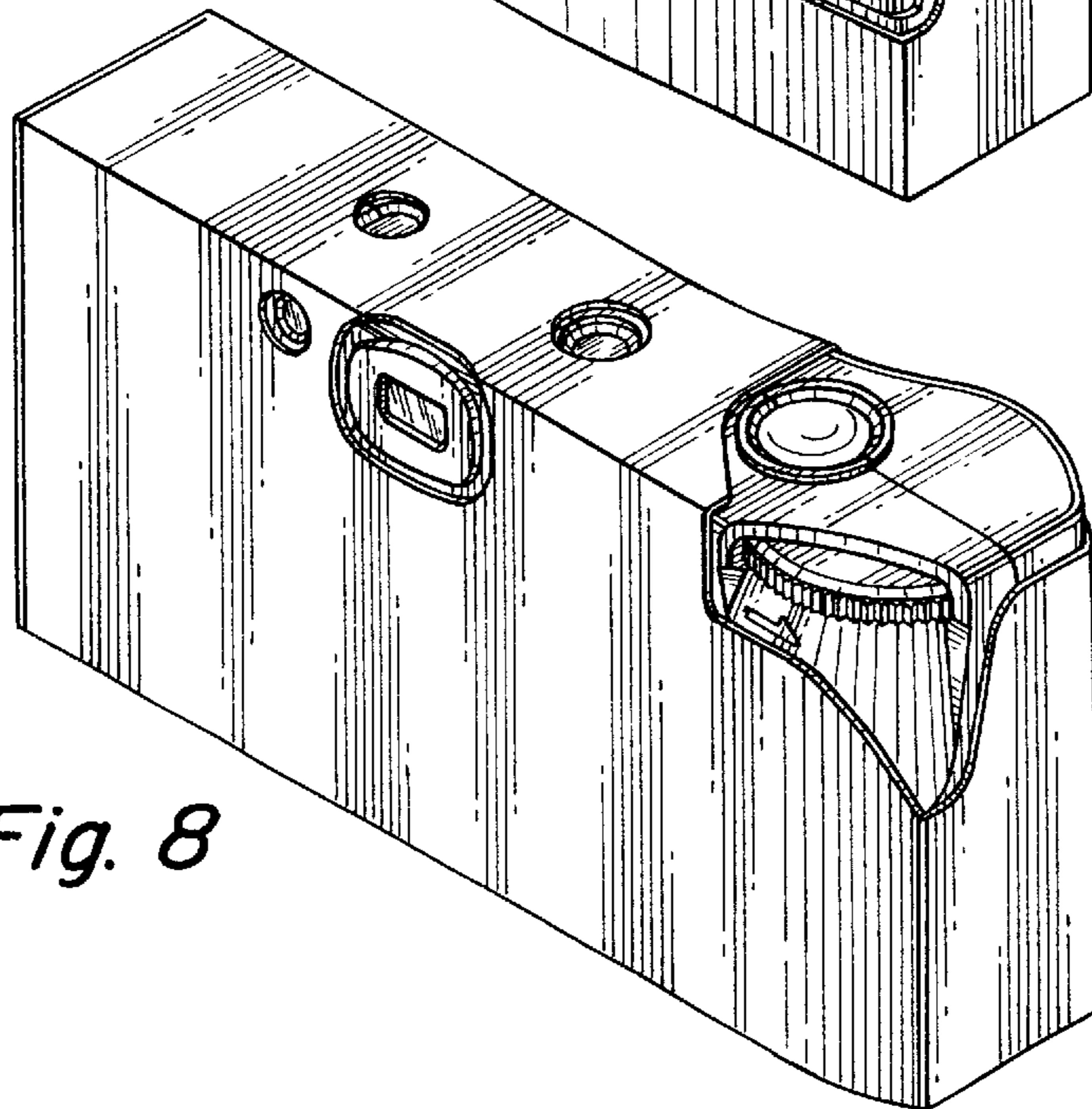


Fig. 8