



US00D479256S

(12) **United States Design Patent**
Matsushita

(10) **Patent No.:** **US D479,256 S**

(45) **Date of Patent:** **** Sep. 2, 2003**

(54) **BINOCULARS**

(75) **Inventor:** **Takeshi Matsushita, Tokyo (JP)**

(73) **Assignee:** **Pentax Corporation, Tokyo (JP)**

(**) **Term:** **14 Years**

(21) **Appl. No.:** **29/161,195**

(22) **Filed:** **May 28, 2002**

(30) **Foreign Application Priority Data**

Nov. 26, 2001 (JP) 2001-034538

(51) **LOC (7) Cl.** **16-60**

(52) **U.S. Cl.** **D16/133**

(58) **Field of Search** D16/130, 133;
359/414, 415, 416, 408, 409, 410, 411,
412, 418, 419

(56) **References Cited**

U.S. PATENT DOCUMENTS

D222,563 S * 11/1971 Maguire D16/133

D383,474 S * 9/1997 Hashimoto D16/133

D395,055 S * 6/1998 Lee D16/133

D430,586 S * 9/2000 Inaba D16/133

* cited by examiner

Primary Examiner—Paula A. Mortimer

(74) *Attorney, Agent, or Firm*—Sughrue Mion, PLLC

(57) **CLAIM**

The ornamental design for a binoculars, as shown.

DESCRIPTION

FIG. 1 is a perspective view of the top, front and right side of binoculars showing my design;

FIG. 2 is a front elevational view thereof;

FIG. 3 is a top plan view thereof;

FIG. 4. is a right side elevational view thereof;

FIG. 5. is a view elevational view thereof;

FIG. 6. is a left side elevational view thereof; and,

FIG. 7. is a bottom plan view thereof.

1 Claim, 4 Drawing Sheets

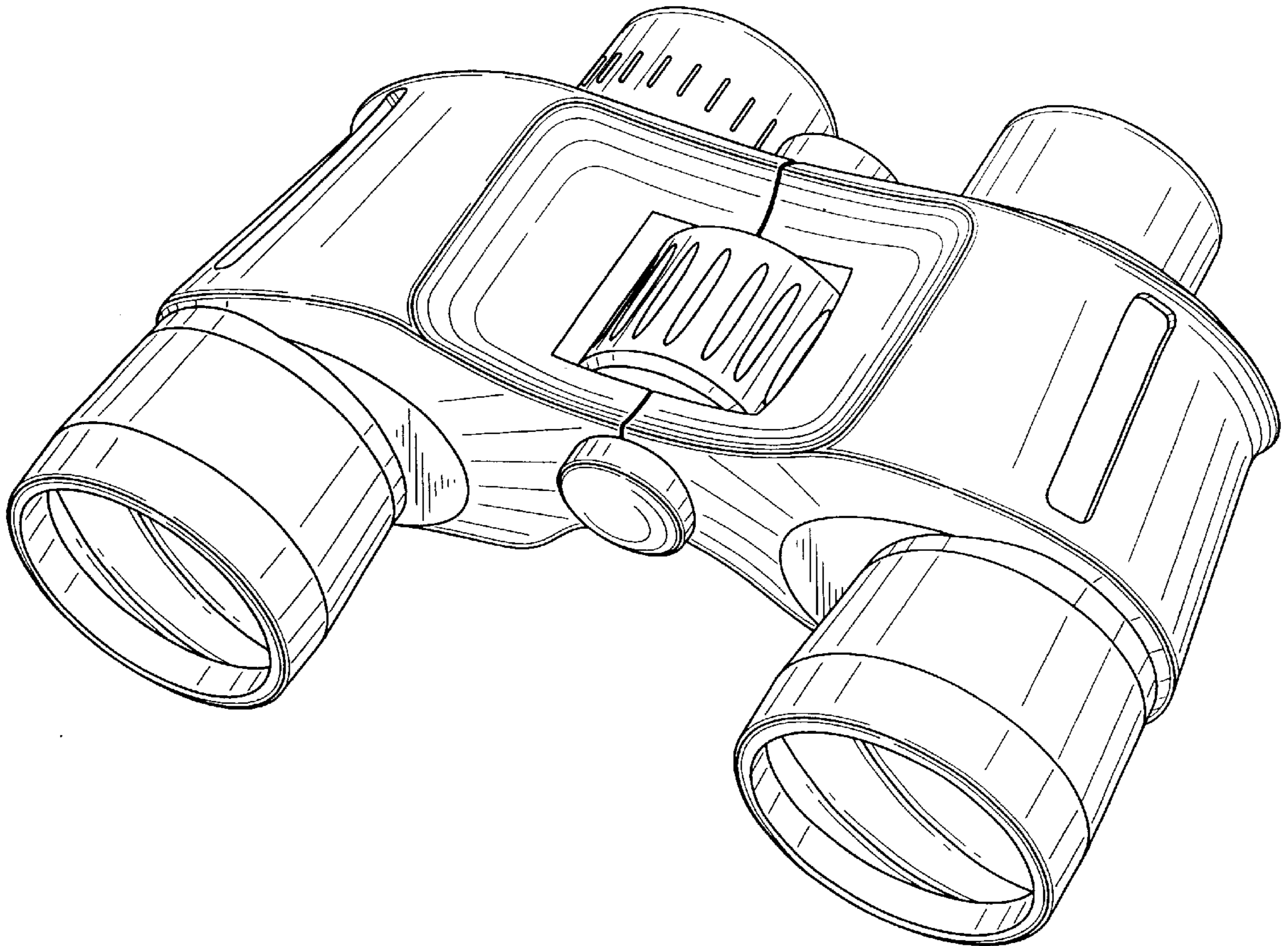


FIG. 1

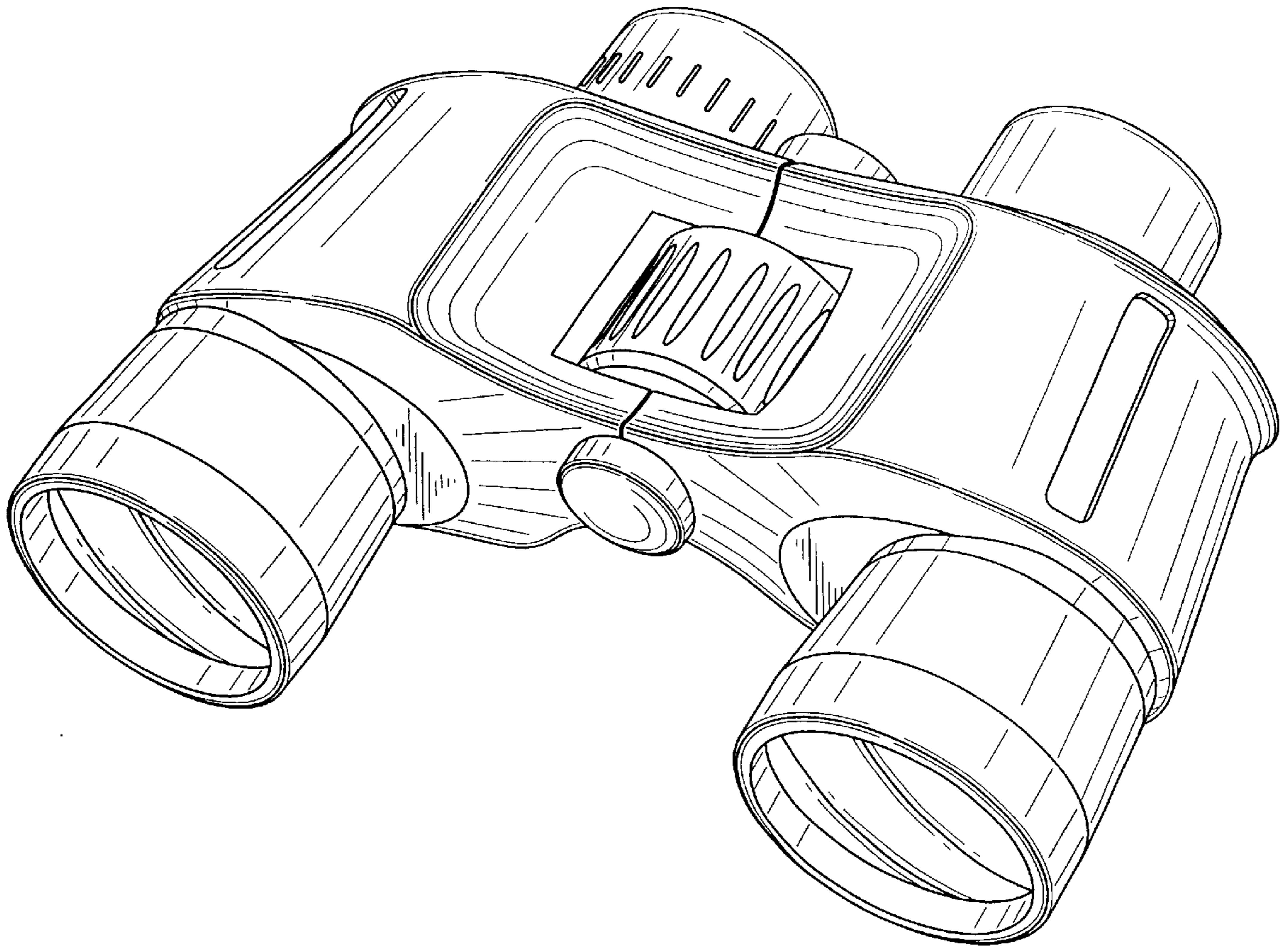


FIG. 2

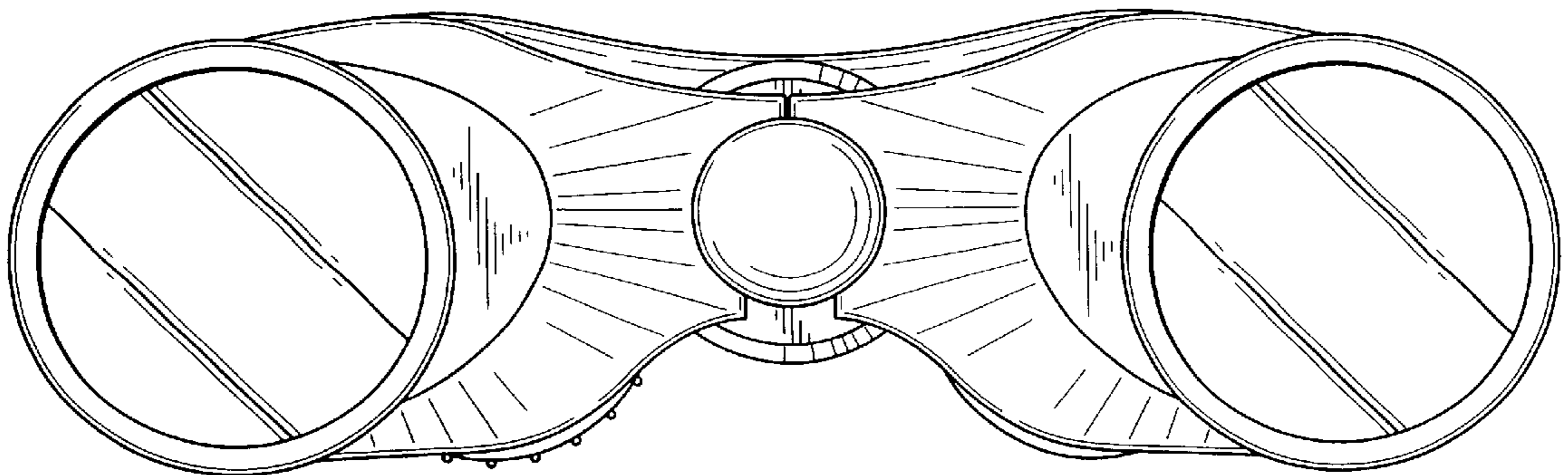


FIG. 3

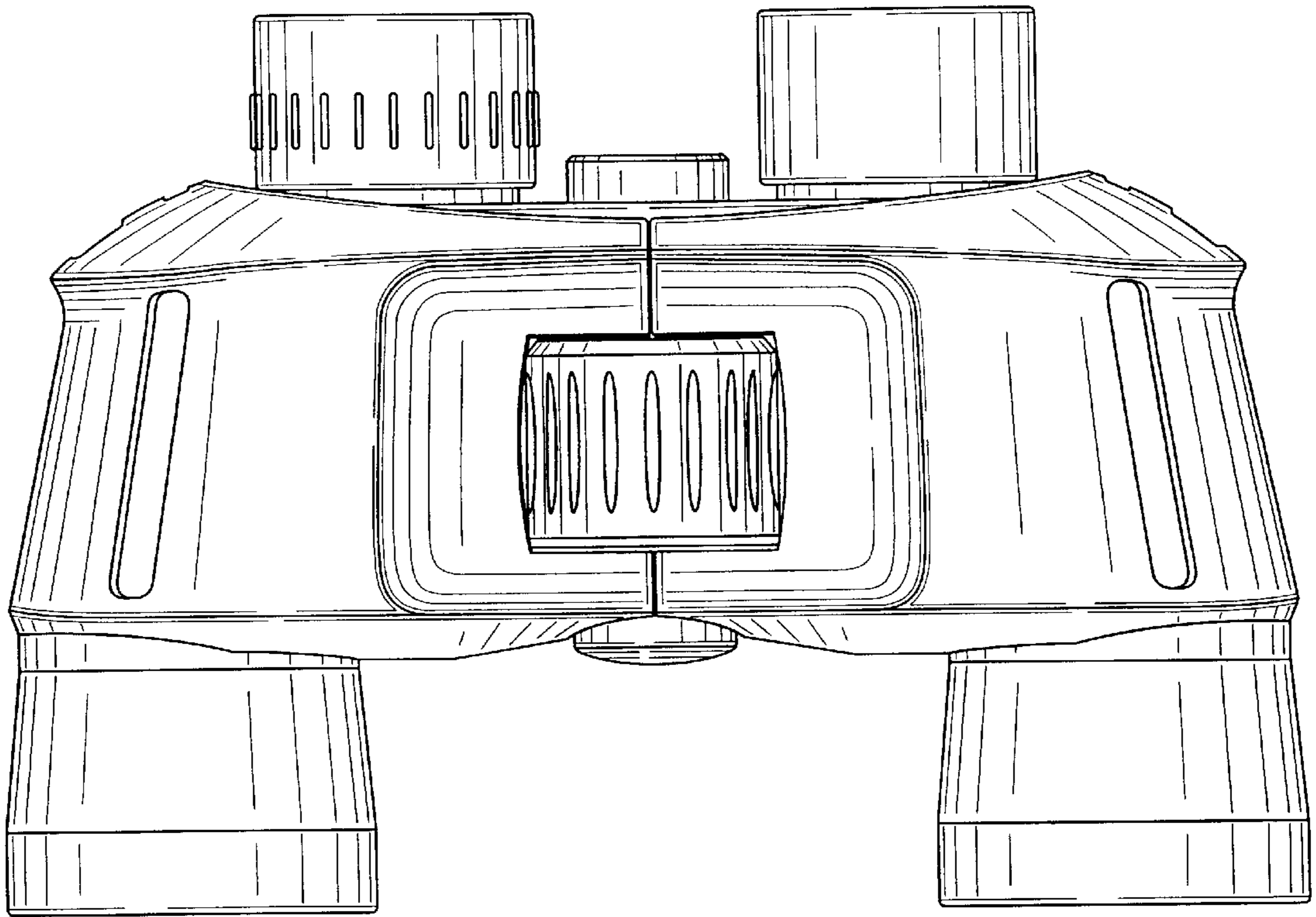


FIG. 4

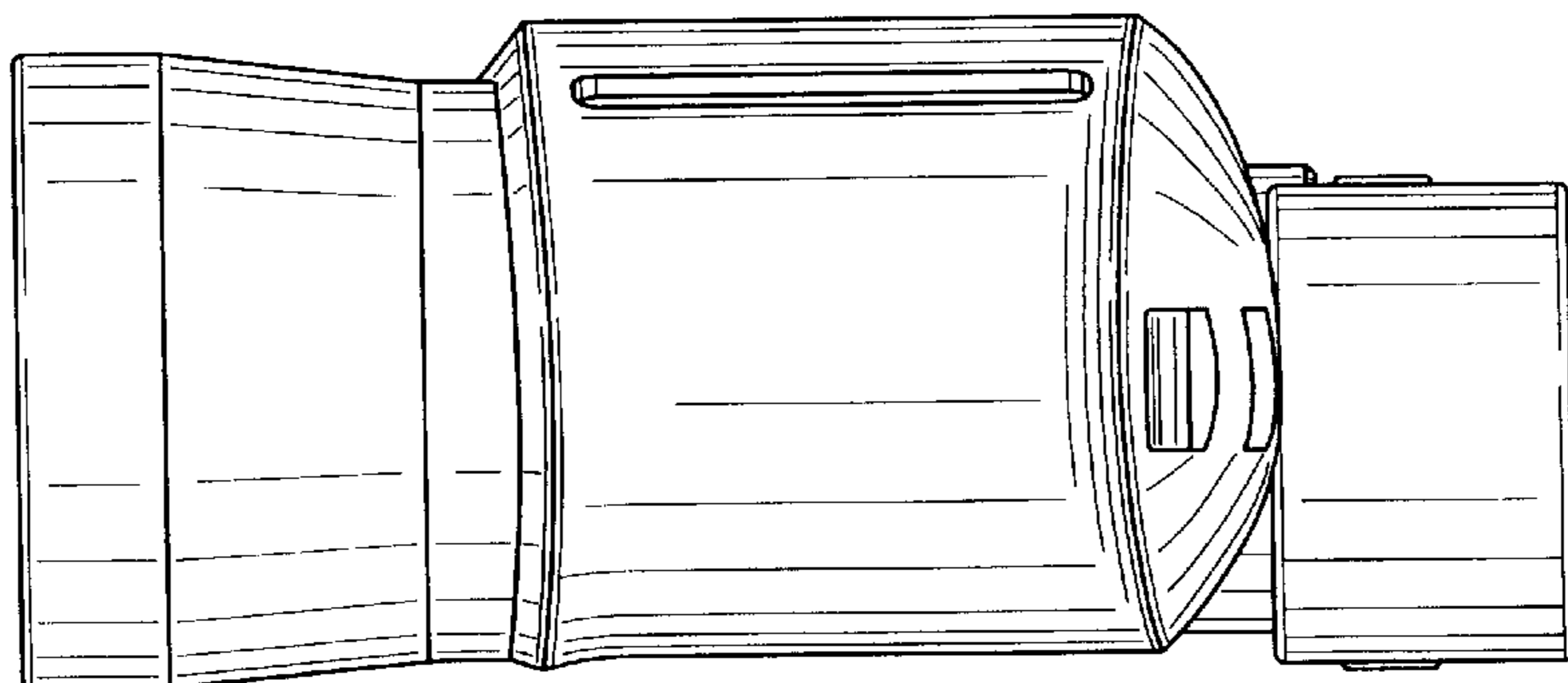


FIG. 5

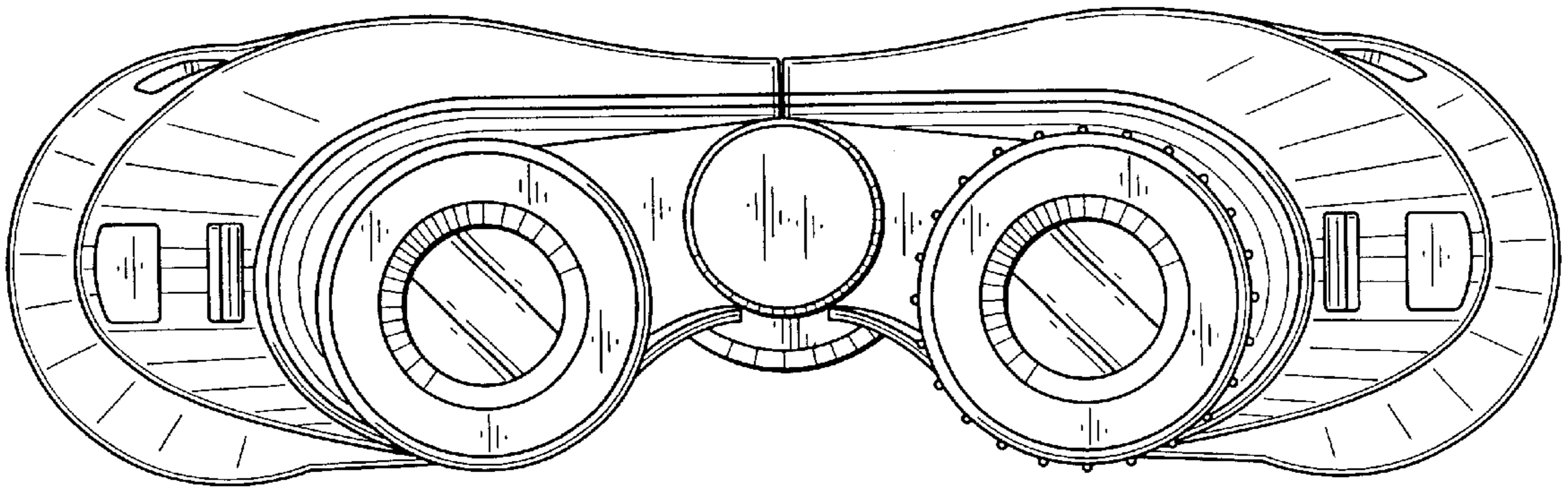


FIG. 6

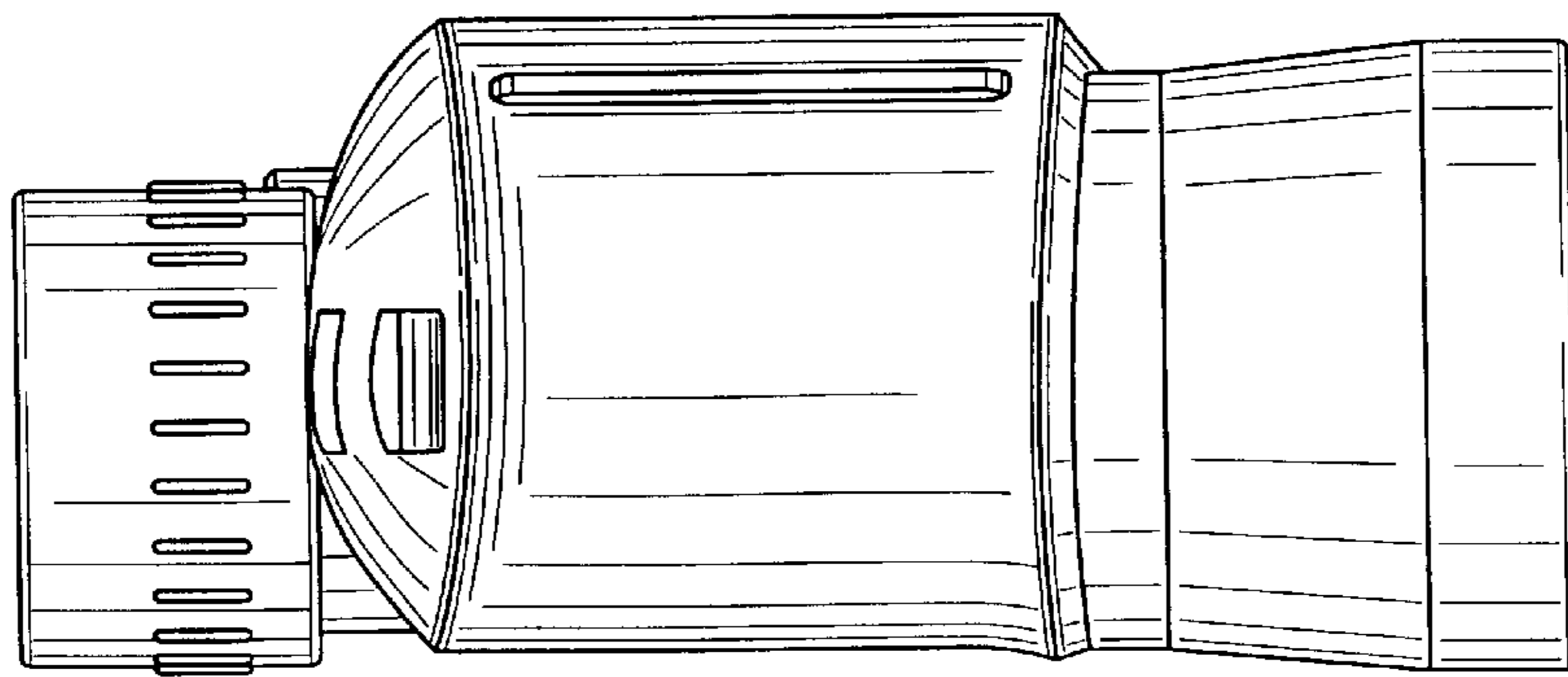


FIG. 7

