



US00D479255S

(12) **United States Design Patent**  
**Hamamura**

(10) **Patent No.:** **US D479,255 S**

(45) **Date of Patent:** **\*\* Sep. 2, 2003**

(54) **SPOTTING SCOPE**

(75) **Inventor:** **Toshihiro Hamamura, Tokyo (JP)**

(73) **Assignee:** **Pentax Corporation, Tokyo (JP)**

(\*\*) **Term:** **14 Years**

(21) **Appl. No.:** **29/164,199**

(22) **Filed:** **Jul. 22, 2002**

(30) **Foreign Application Priority Data**

Jan. 23, 2002 (JP) ..... 2002-001417

(51) **LOC (7) Cl.** ..... **16-06**

(52) **U.S. Cl.** ..... **D16/132**

(58) **Field of Search** ..... D16/130, 132,  
D16/133, 134, 136; D22/108, 109; 359/350,  
351, 353, 399, 400, 419, 420, 404, 407

(56) **References Cited**

**U.S. PATENT DOCUMENTS**

D272,916 S \* 3/1984 Tomatsuri et al. .... D16/132  
D285,698 S \* 9/1986 Ogasawara ..... D16/132

D288,210 S \* 2/1987 Mise ..... D16/132

4,669,833 A \* 6/1987 Mise ..... 359/420

D374,021 S \* 9/1996 Meinzer ..... D16/132

D439,259 S 3/2001 Yamaguchi

D454,898 S \* 3/2002 Ogasawara et al. .... D16/132

\* cited by examiner

*Primary Examiner*—Paula A. Mortimer

(74) *Attorney, Agent, or Firm*—Sughrue Mion, PLLC

(57) **CLAIM**

The ornamental design for a spotting scope, as shown.

**DESCRIPTION**

FIG. 1 is a perspective view of the top, front and right side of a spotting scope showing my new design;  
FIG. 2 is a front elevational view thereof;  
FIG. 3 is a rear elevational view thereof;  
FIG. 4 is a right side elevational view thereof;  
FIG. 5 is a left side elevational view thereof;  
FIG. 6 is a top plan view thereof; and,  
FIG. 7 is a bottom plan view thereof.

**1 Claim, 4 Drawing Sheets**

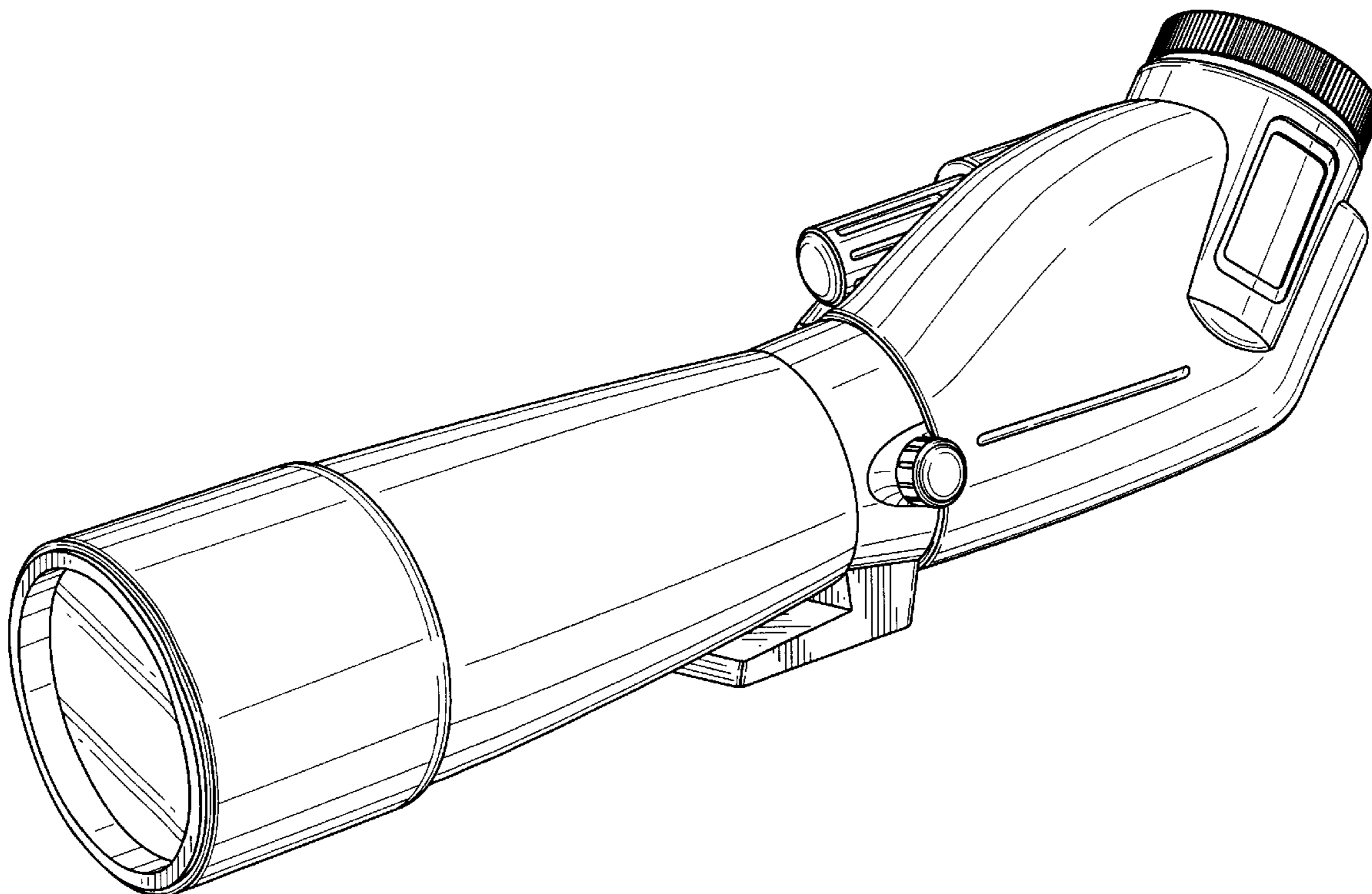
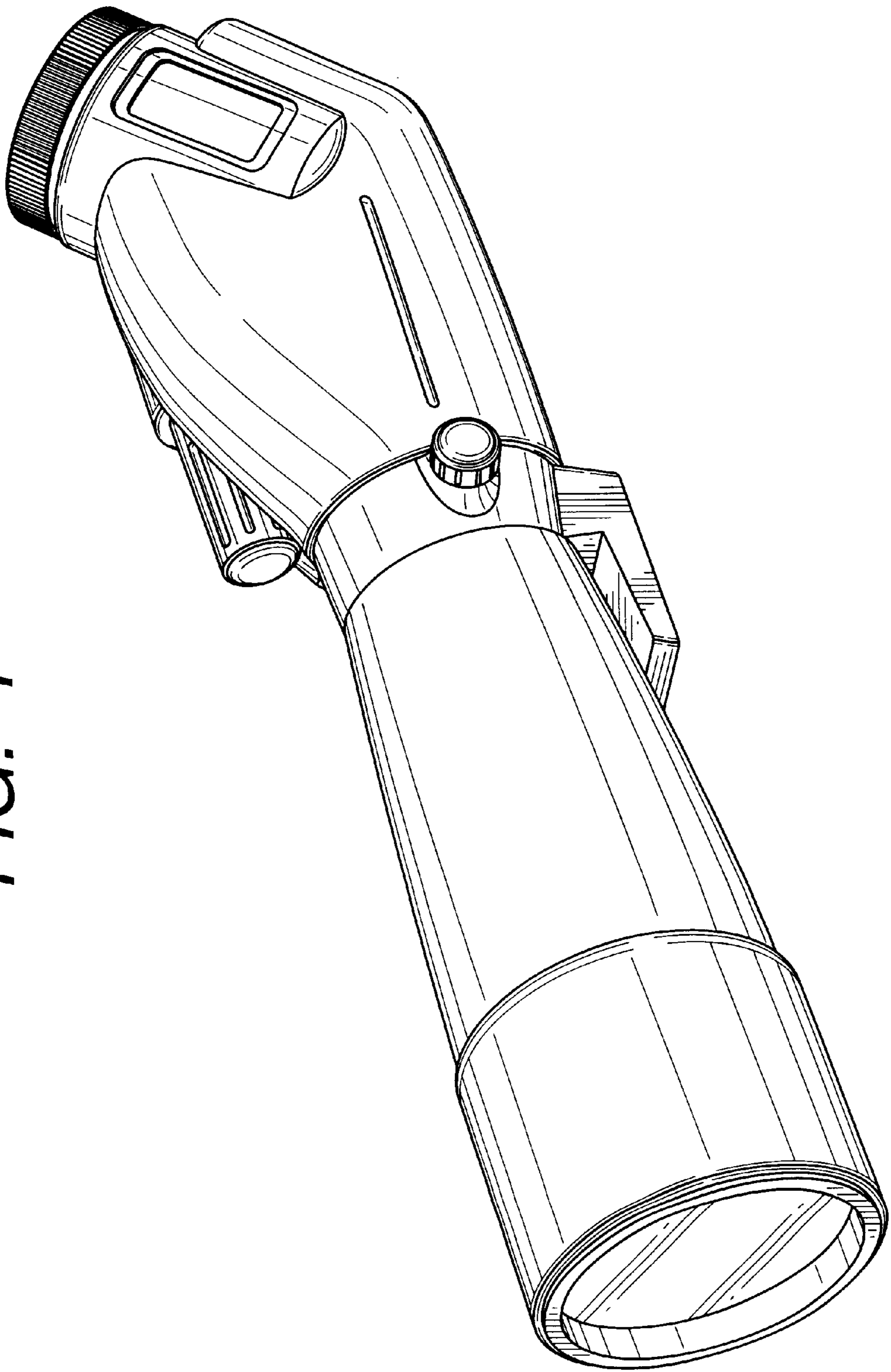
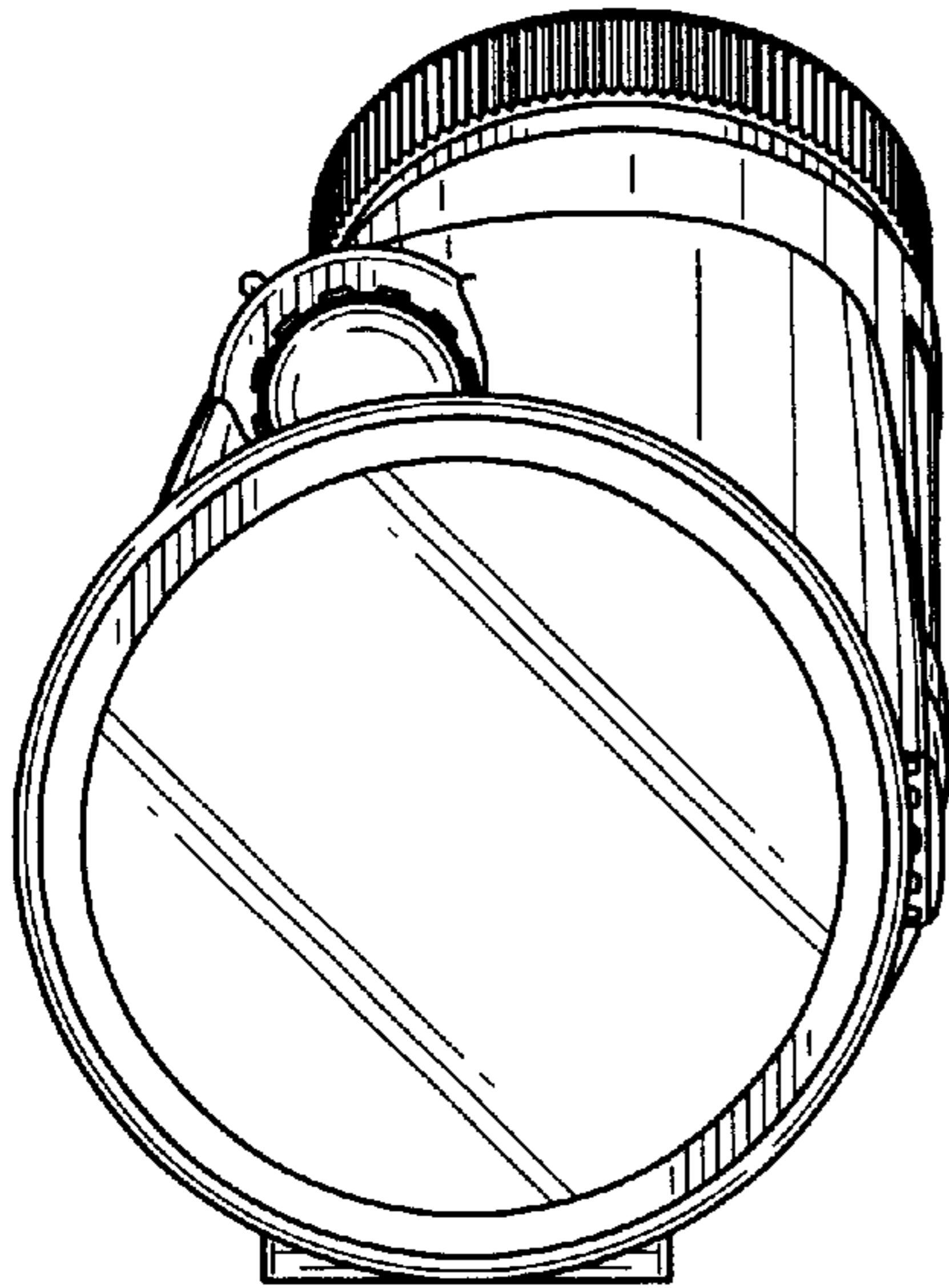


FIG. 1



*FIG. 2*



*FIG. 3*

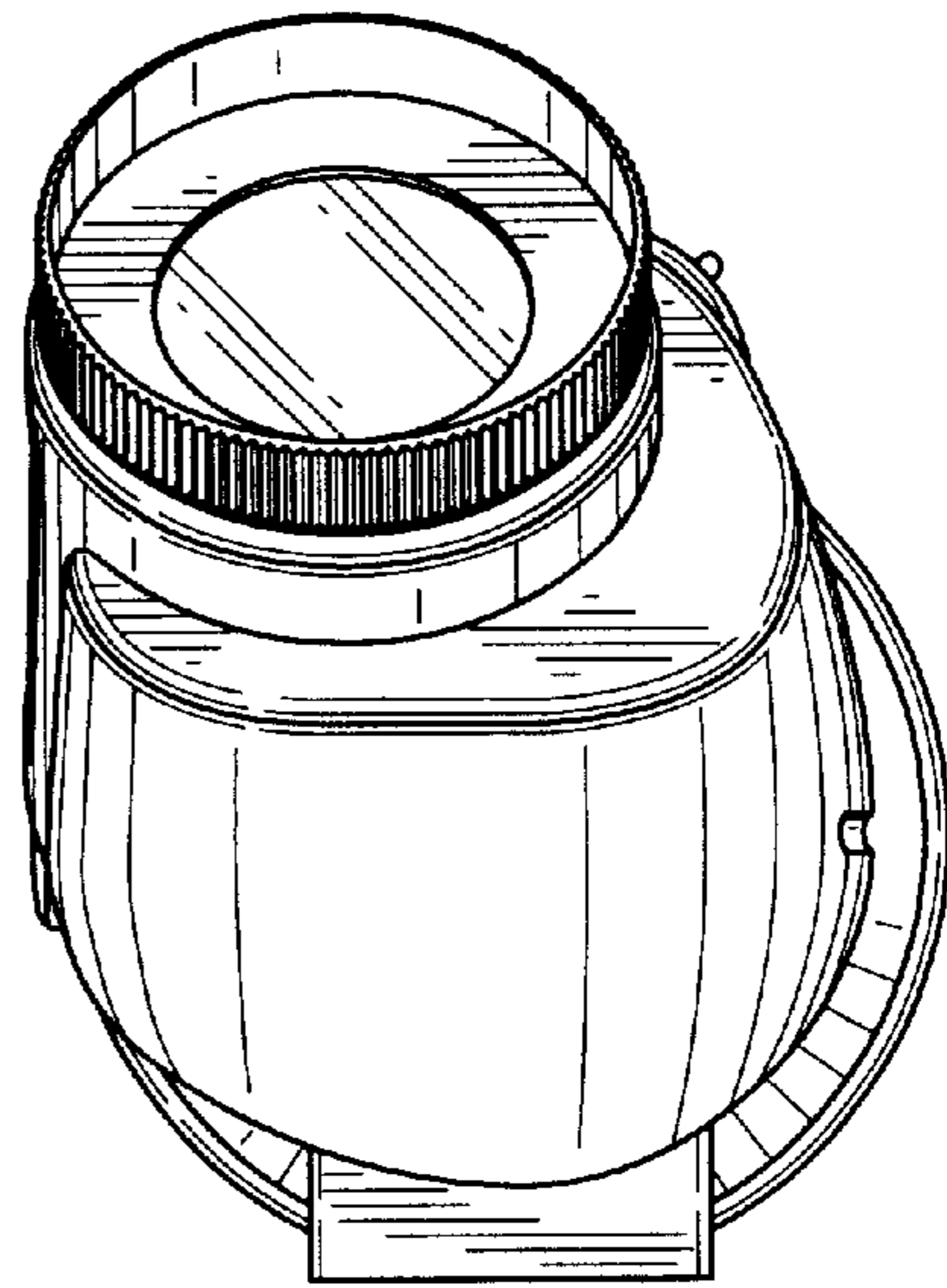


FIG. 4

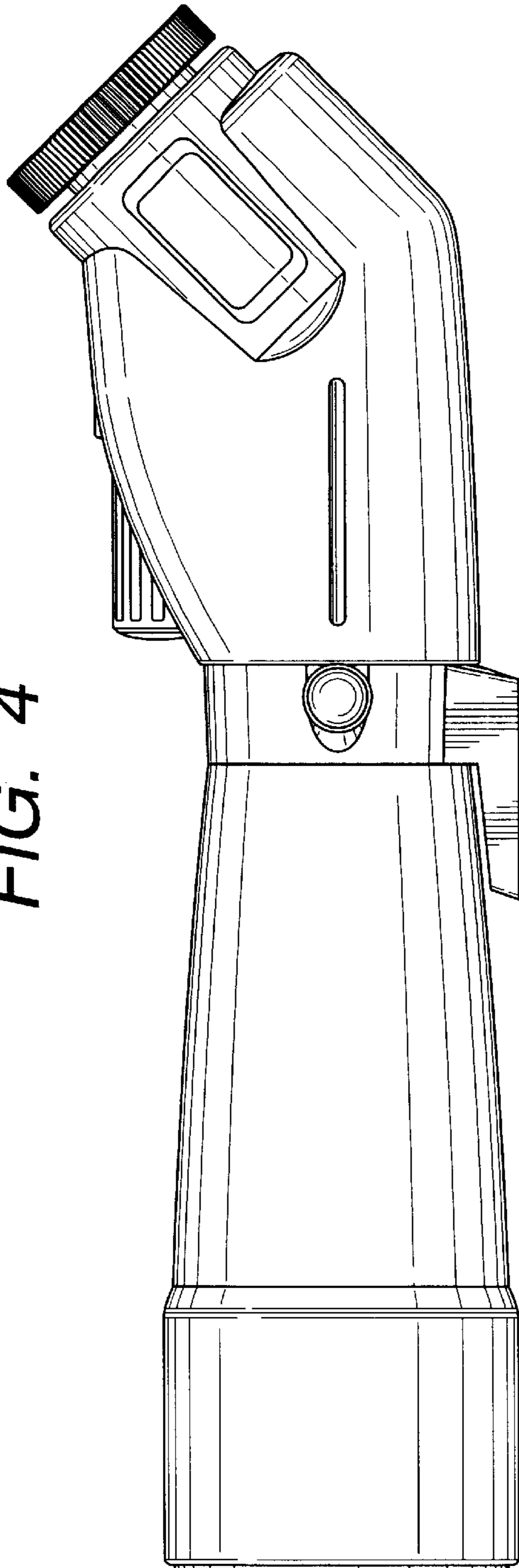
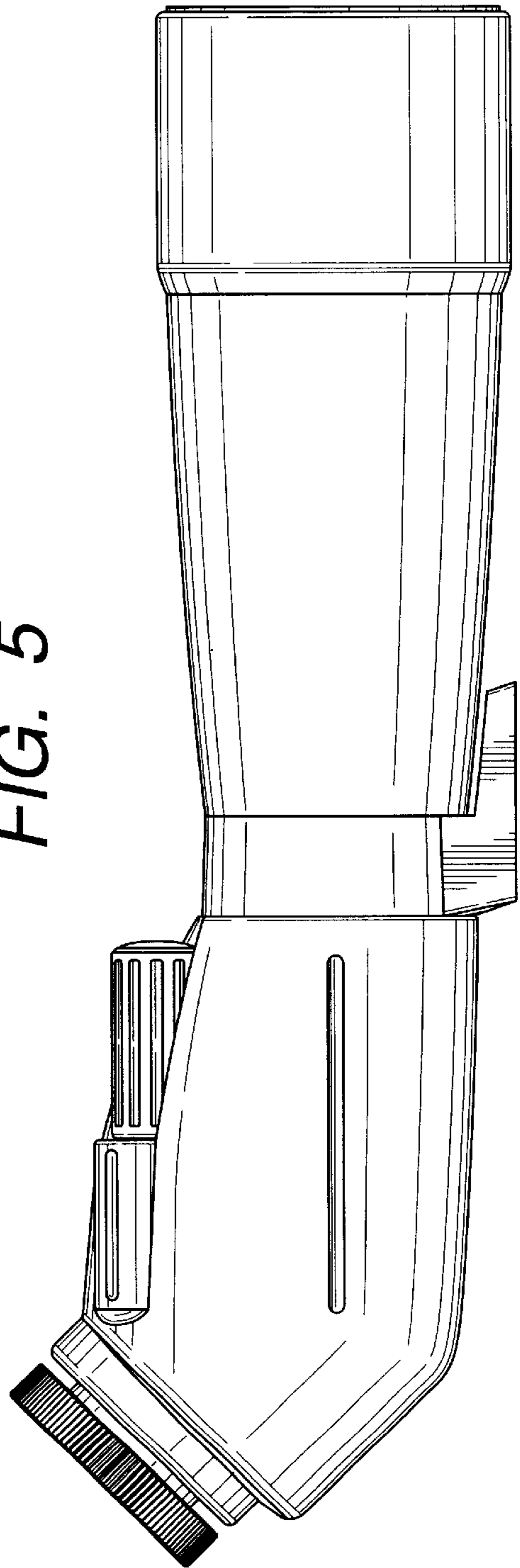
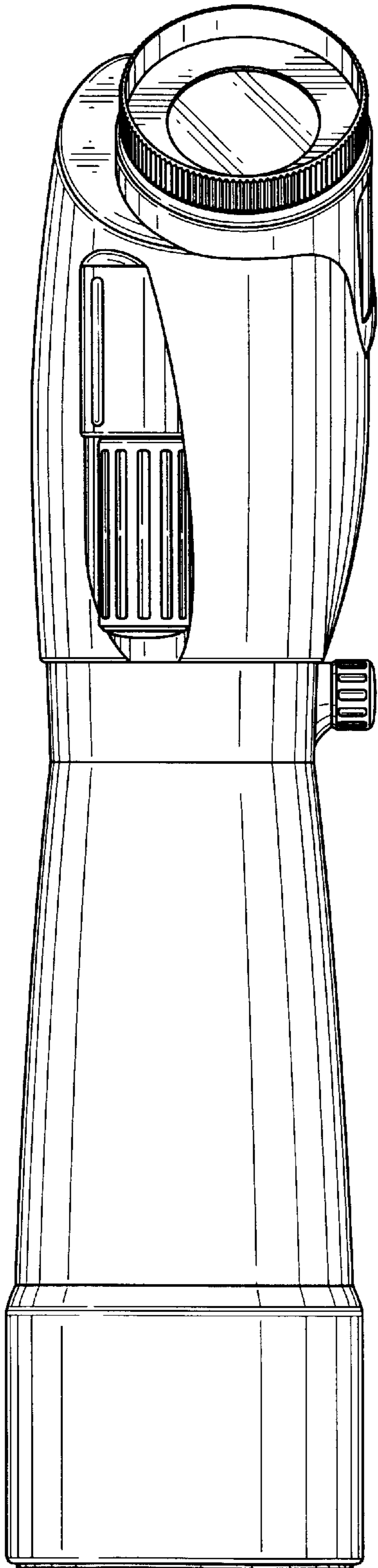


FIG. 5



*FIG. 6*



*FIG. 7*

