



US00D479253S

(12) **United States Design Patent**  
**Chen**

(10) **Patent No.:** **US D479,253 S**

(45) **Date of Patent:** **\*\* Sep. 2, 2003**

(54) **CHUCK**

6,325,393 B1 \* 12/2001 Chen et al. .... 279/22  
6,543,959 B1 \* 4/2003 Jore ..... 279/30 X

(76) Inventor: **Tsai-Ching Chen**, No. 13-1, Dong Shih Hsiang, Lu Gang Chen, Chang Hua Hsien (TW)

\* cited by examiner

(\*\*) Term: **14 Years**

*Primary Examiner*—Antoine Duval Davis  
(74) *Attorney, Agent, or Firm*—Alan D. Kamrath; Rider Bennett, LLP.

(21) Appl. No.: **29/168,663**

(57) **CLAIM**

(22) Filed: **Oct. 7, 2002**

The ornamental design for chuck, as shown and described.

(51) **LOC (7) Cl.** ..... **15-09**

**DESCRIPTION**

(52) **U.S. Cl.** ..... **D15/140**

(58) **Field of Search** ..... D15/140; 279/22, 279/30, 60-66, 175, 157, 901, 902, 908

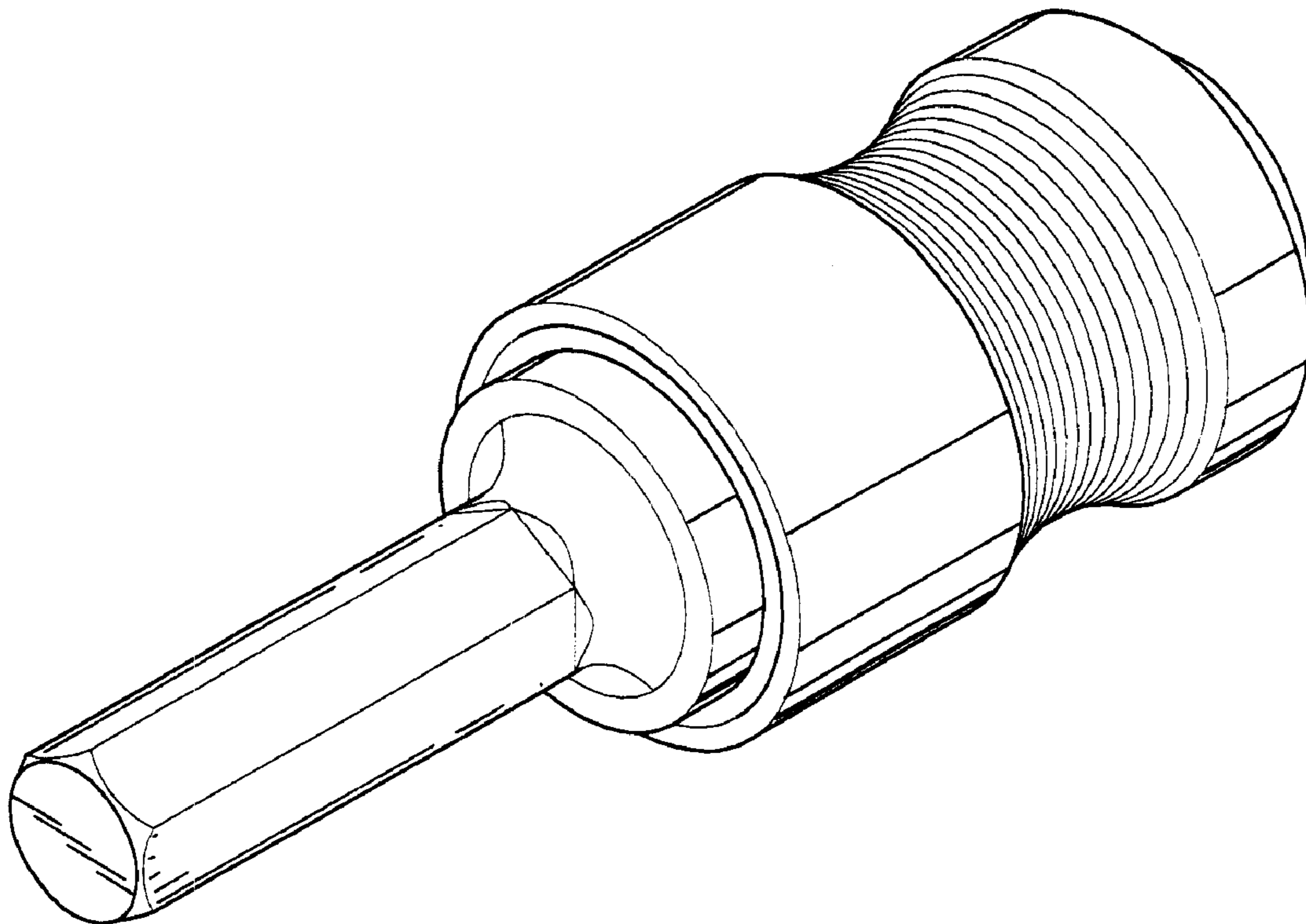
FIG. 1 is a perspective view of a chuck showing my new design;  
FIG. 2 is a front elevational view thereof; the opposite side being a mirror image of the shown.  
FIG. 3 is a left elevational view thereof;  
FIG. 4 is a right elevational view thereof; and,  
FIG. 5 is a top plan view thereof; with the opposite side being a mirror image of that shown.

(56) **References Cited**

**U.S. PATENT DOCUMENTS**

4,287,923 A \* 9/1981 Hornung ..... 279/30 X  
5,354,075 A \* 10/1994 Marik et al. .... 279/30 X  
5,398,946 A \* 3/1995 Quiring ..... 279/30  
6,270,085 B1 \* 8/2001 Chen et al. .... 279/22

**1 Claim, 2 Drawing Sheets**



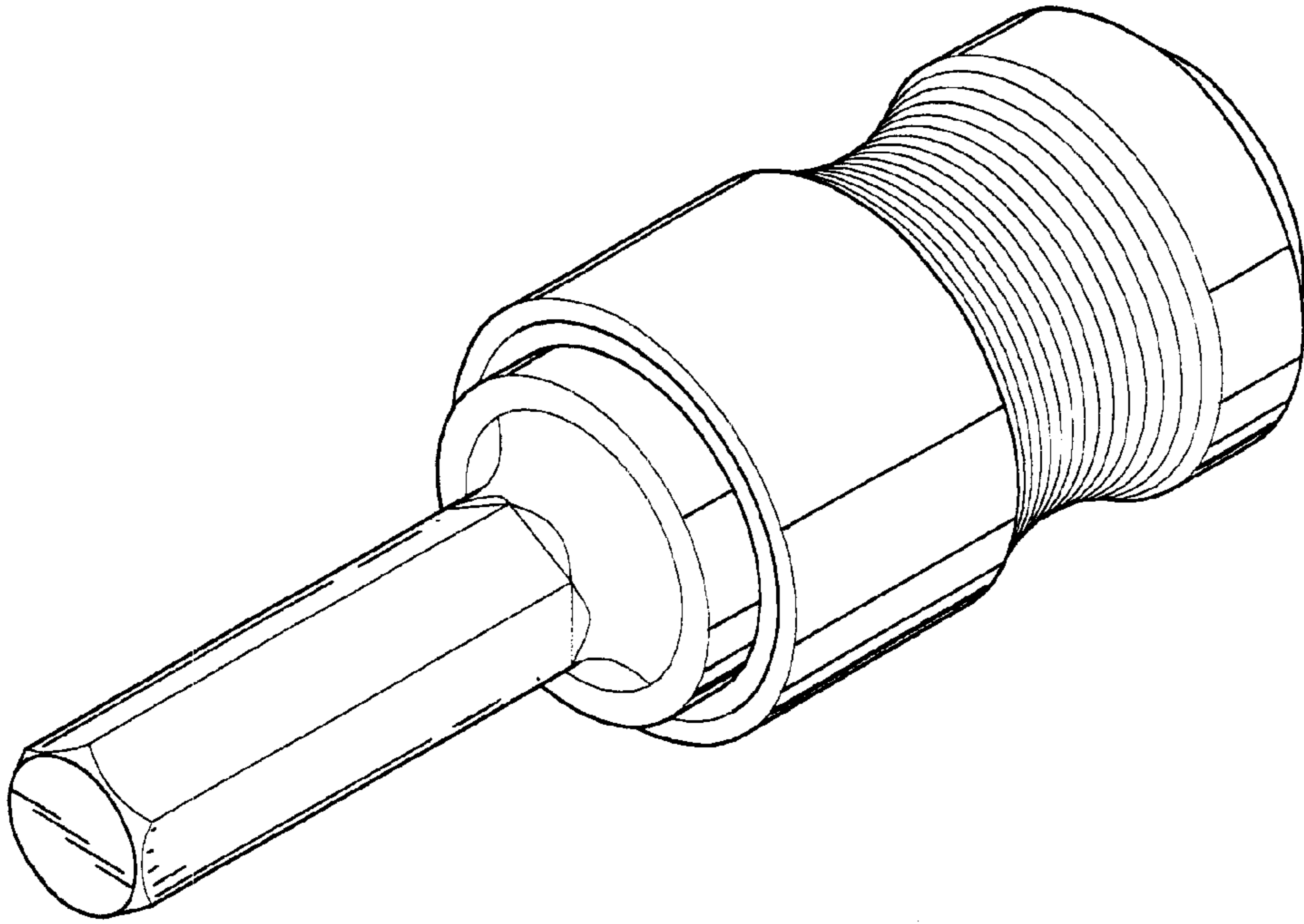


Fig. 1

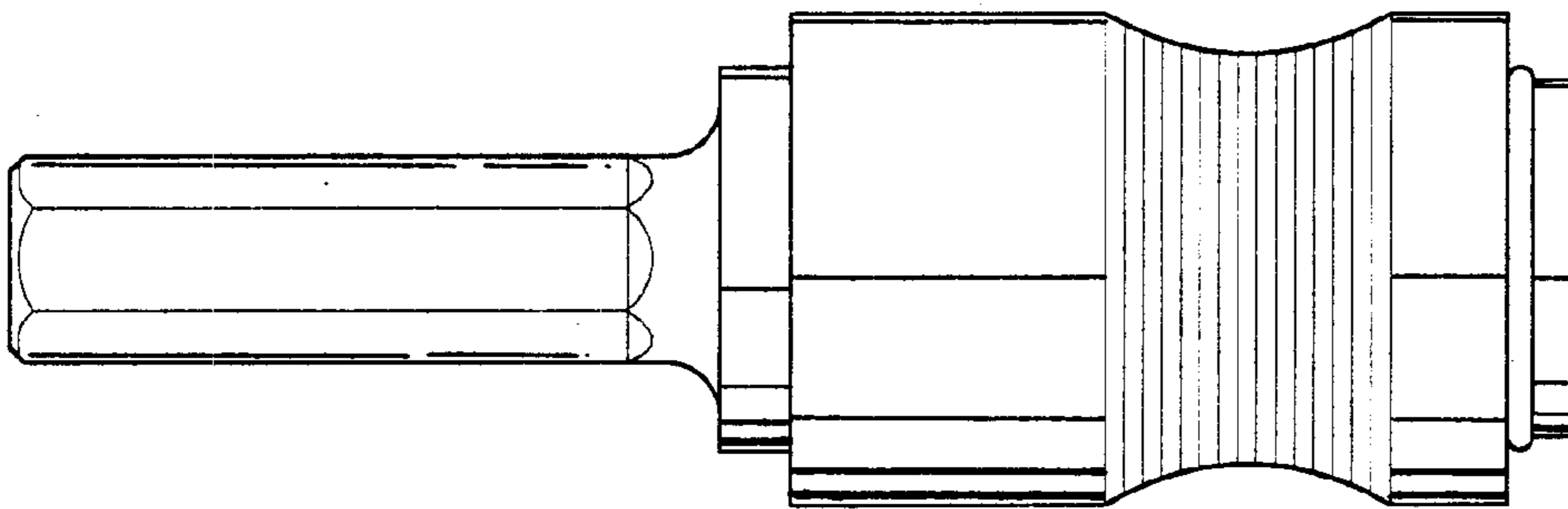


Fig. 2

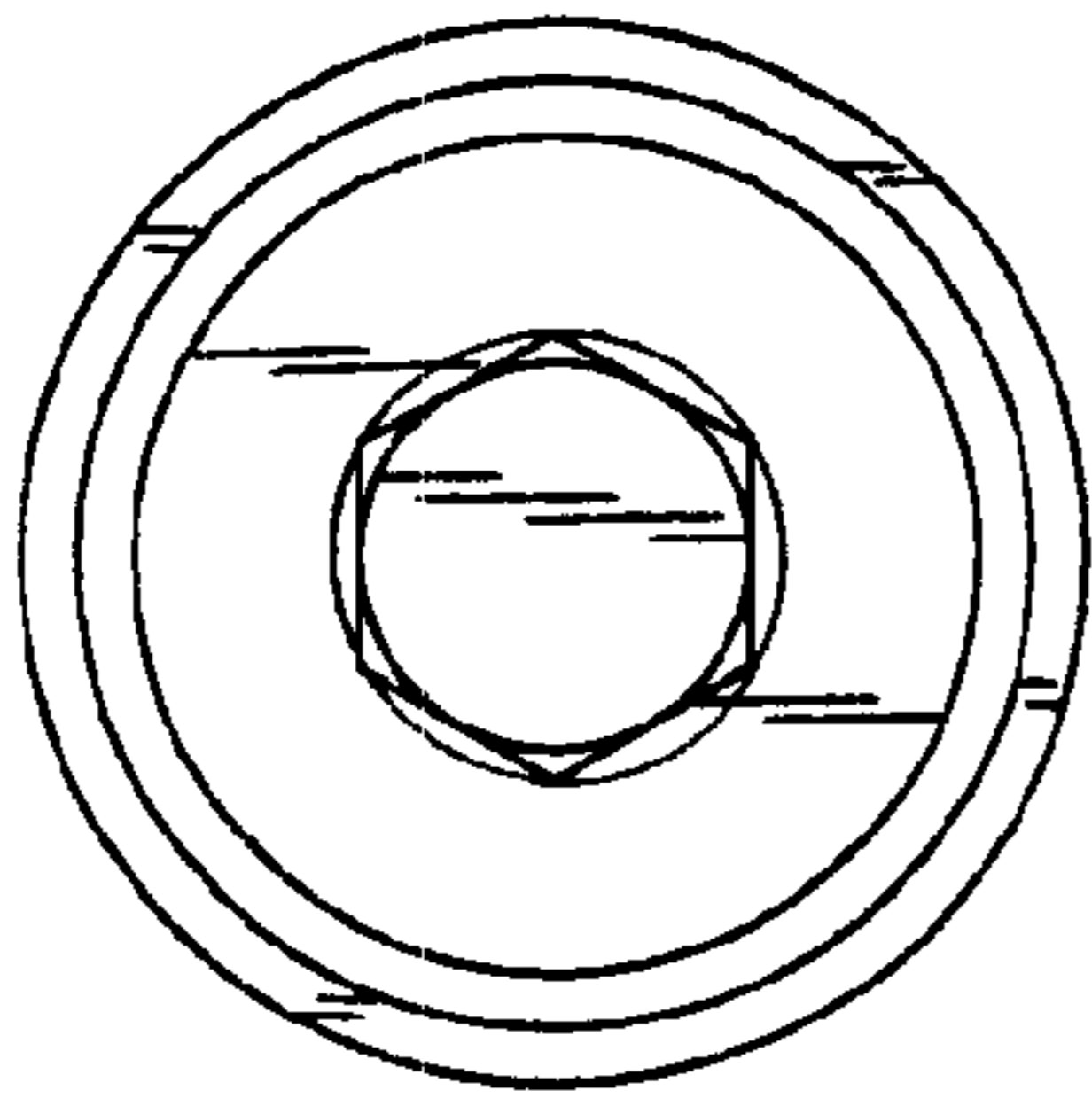


Fig. 3

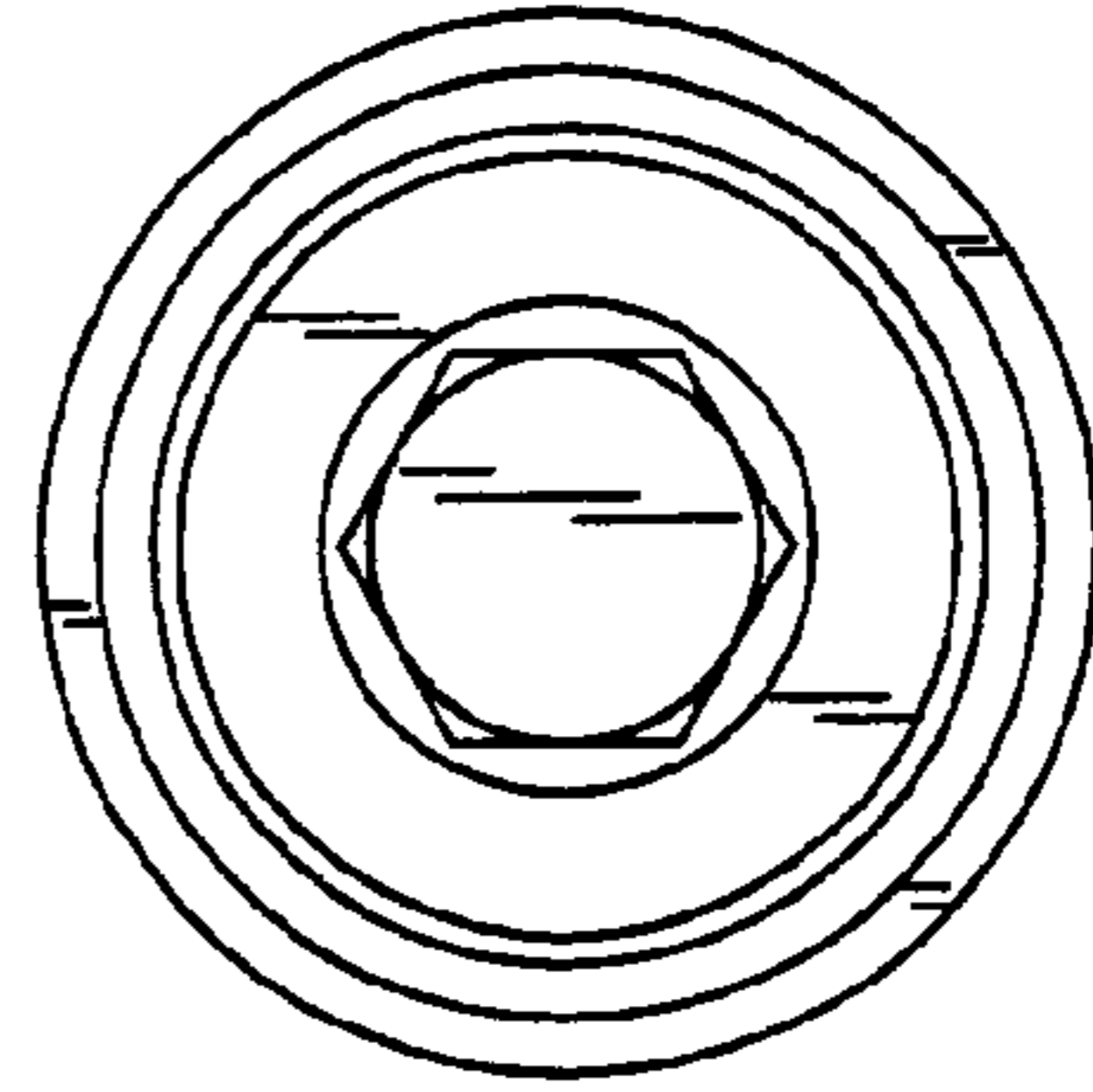


Fig. 4

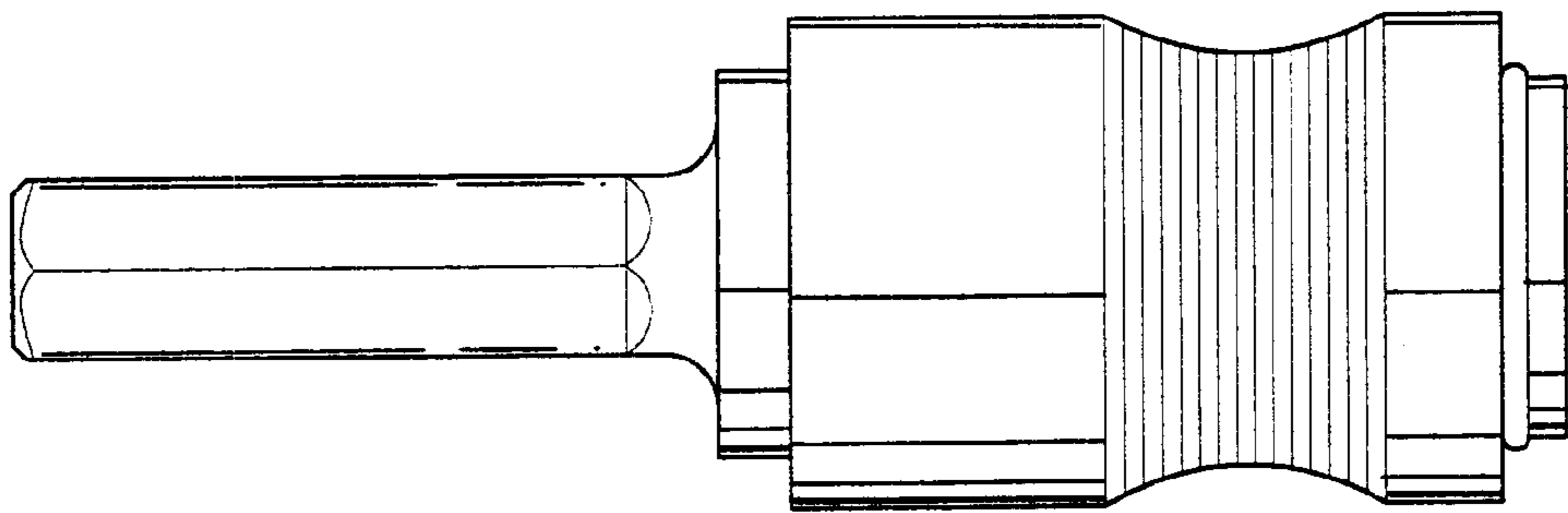


Fig. 5