



US00D479252S

(12) **United States Design Patent**
Ozawa et al.

(10) **Patent No.:** **US D479,252 S**

(45) **Date of Patent:** **** Sep. 2, 2003**

(54) **CUTTING MACHINE**

(75) Inventors: **Takashi Ozawa**, Hitachinaka (JP);
Takao Oosawa, Hitachinaka (JP)

(73) Assignee: **Hitachi Koki Co., Ltd.**, Tokyo (JP)

(**) Term: **14 Years**

(21) Appl. No.: **29/171,645**

(22) Filed: **Nov. 27, 2002**

(30) **Foreign Application Priority Data**

May 31, 2002 (JP) 2002-014586

(51) **LOC (7) Cl.** **15-09**

(52) **U.S. Cl.** **D15/133**

(58) **Field of Search** D8/61, 64, 65,
D8/66, 67, 69; D15/133; 30/166.3, 374,
375, 376, 377, 388, 390, 391, 392, 393,
394, 397; 83/397, 699.21; 409/180, 181,
182

(56) **References Cited**

U.S. PATENT DOCUMENTS

5,199,343 A * 4/1993 O'Banion D8/66

D338,605 S * 8/1993 Dehari D8/66
D372,484 S * 8/1996 Price et al. D8/66
D415,001 S * 10/1999 Welsh D8/66
D420,021 S * 2/2000 Higuchi et al. D15/133
D428,426 S * 7/2000 Brazell D15/133
6,272,960 B1 * 8/2001 Dibbern, Jr. et al. 83/471.3

* cited by examiner

Primary Examiner—Doris V. Coles

Assistant Examiner—Elizabeth Albert

(74) *Attorney, Agent, or Firm*—Sughrue Mion, PLLC

(57) **CLAIM**

The ornamental design for a cutting machine, as shown.

DESCRIPTION

FIG. 1 is a perspective view of the top, front and right side of a cutting machine showing our new design; FIG. 2 is a front elevational view thereof; FIG. 3 is a rear elevational view thereof; FIG. 4 is a left side elevational view thereof; FIG. 5 is a right side elevational view thereof; FIG. 6 is a top plan view thereof; and, FIG. 7 is a bottom plan view thereof.

1 Claim, 5 Drawing Sheets

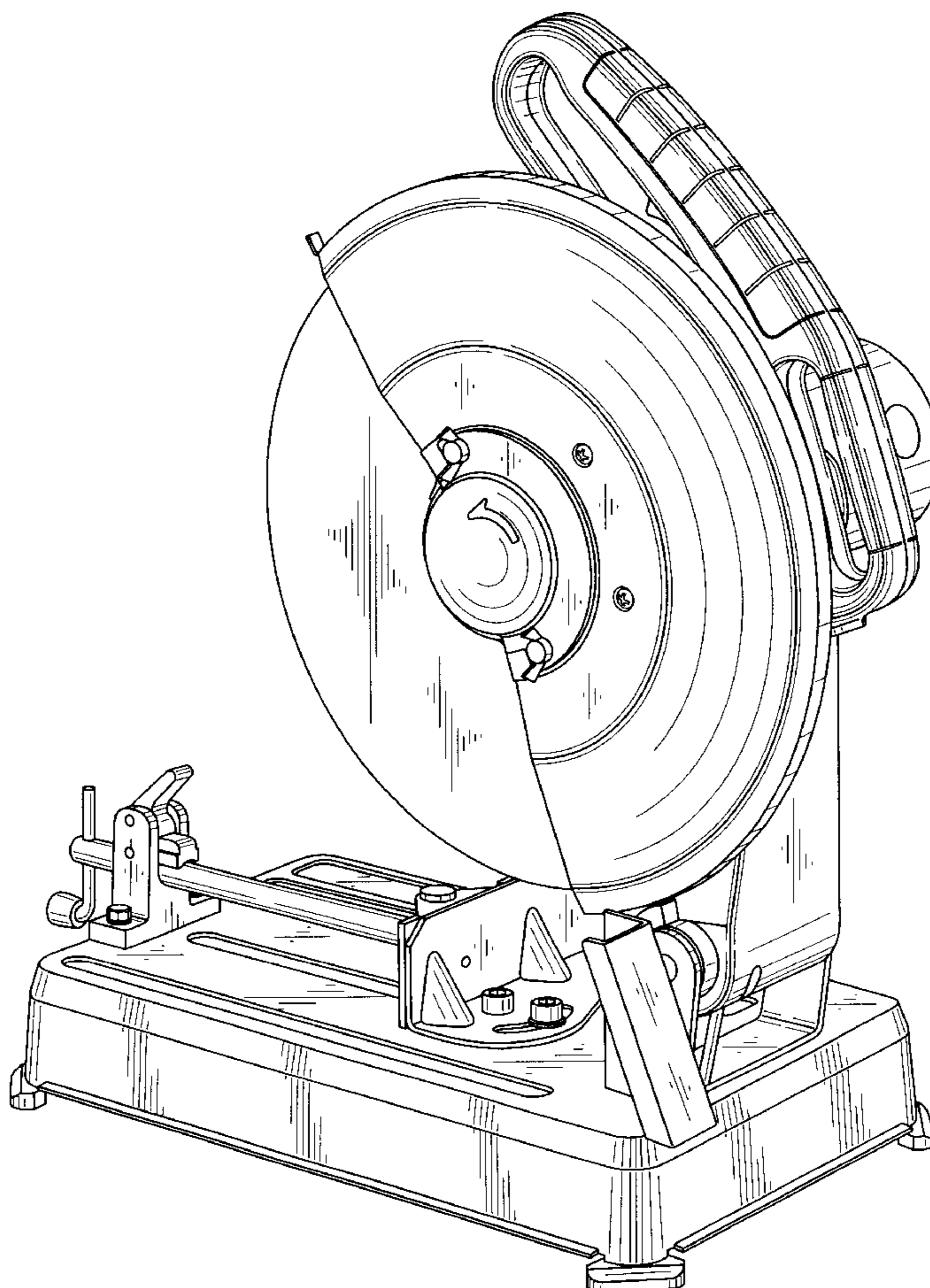


FIG. 1

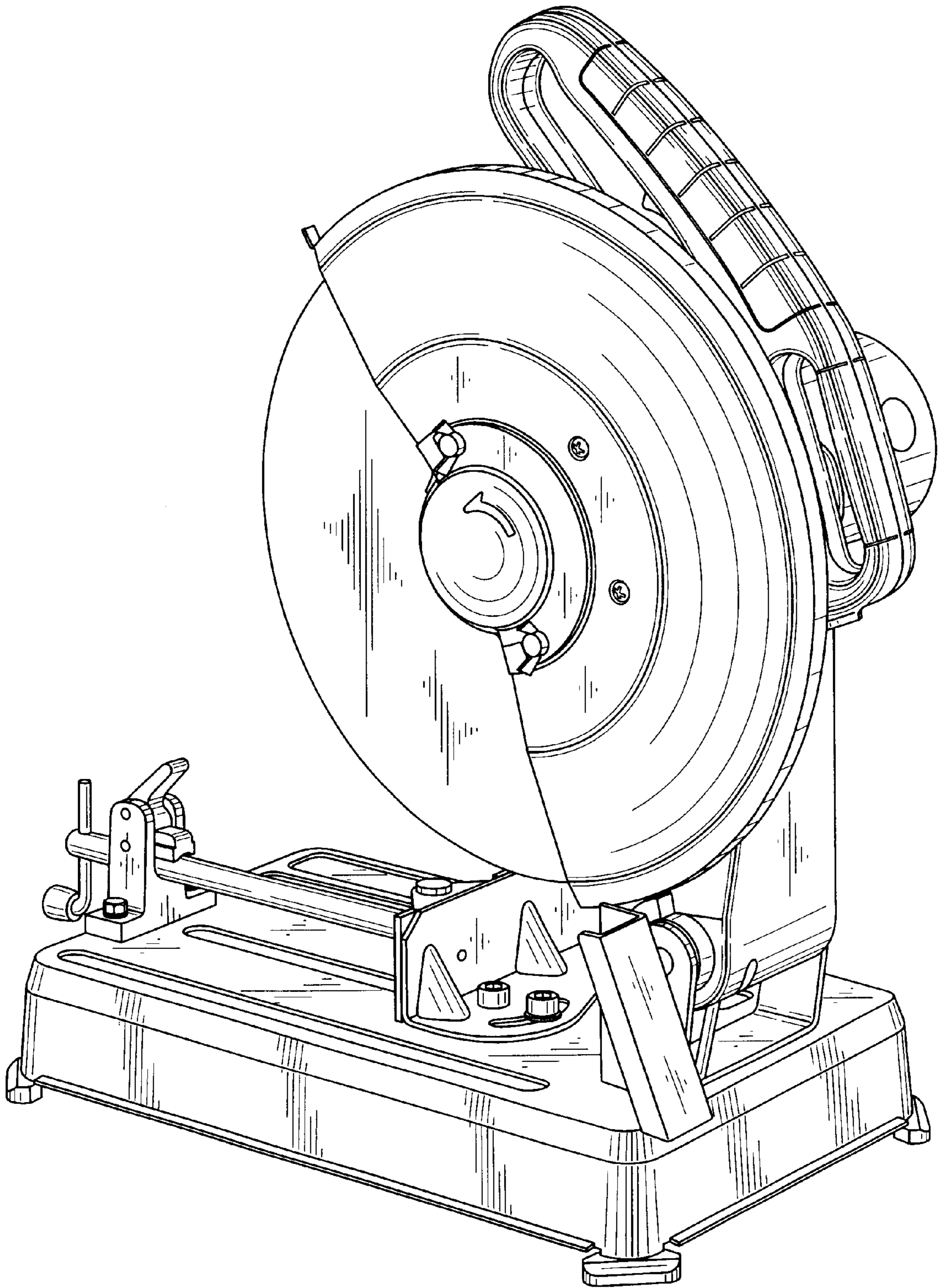


FIG. 2

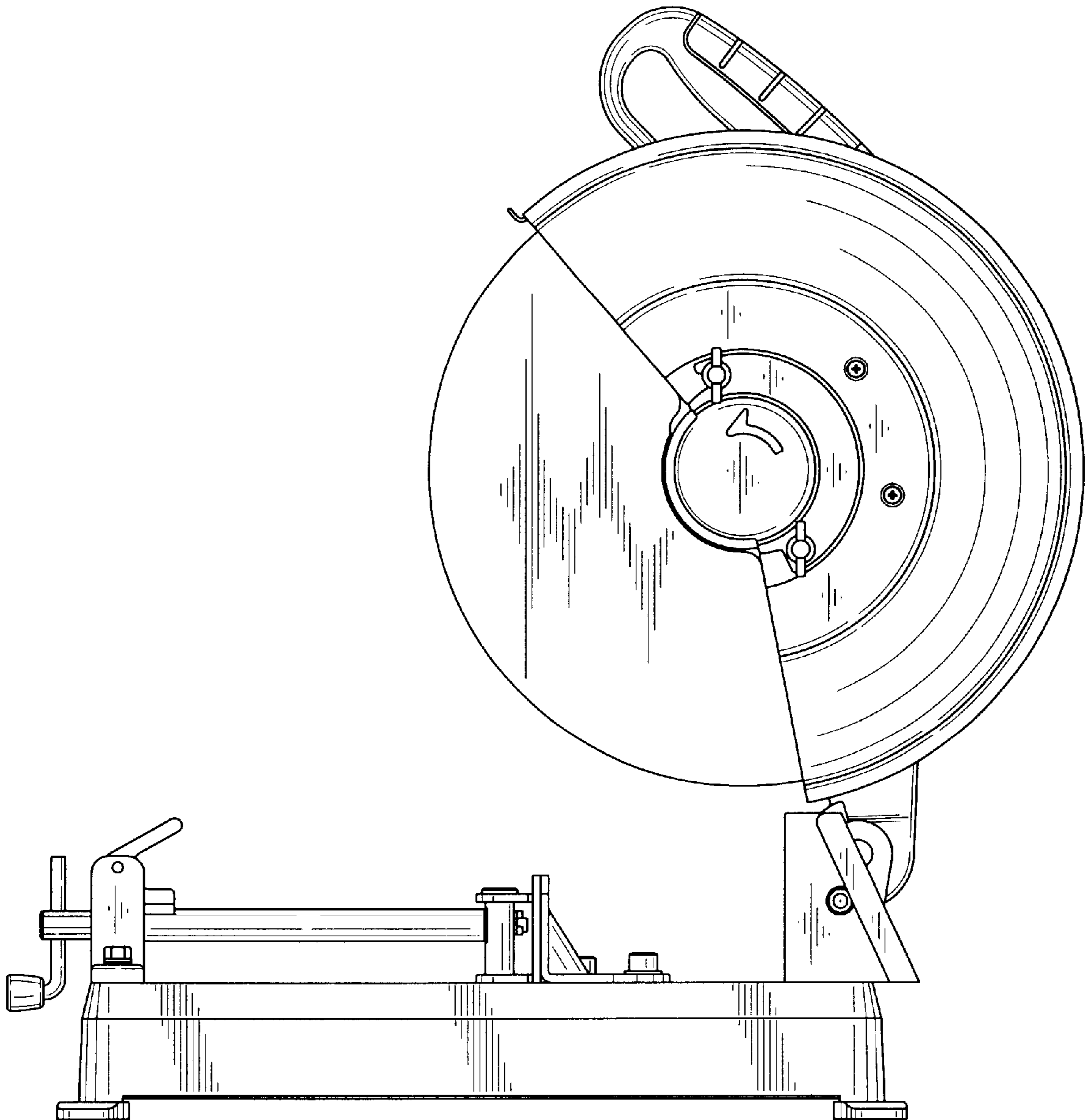


FIG. 3

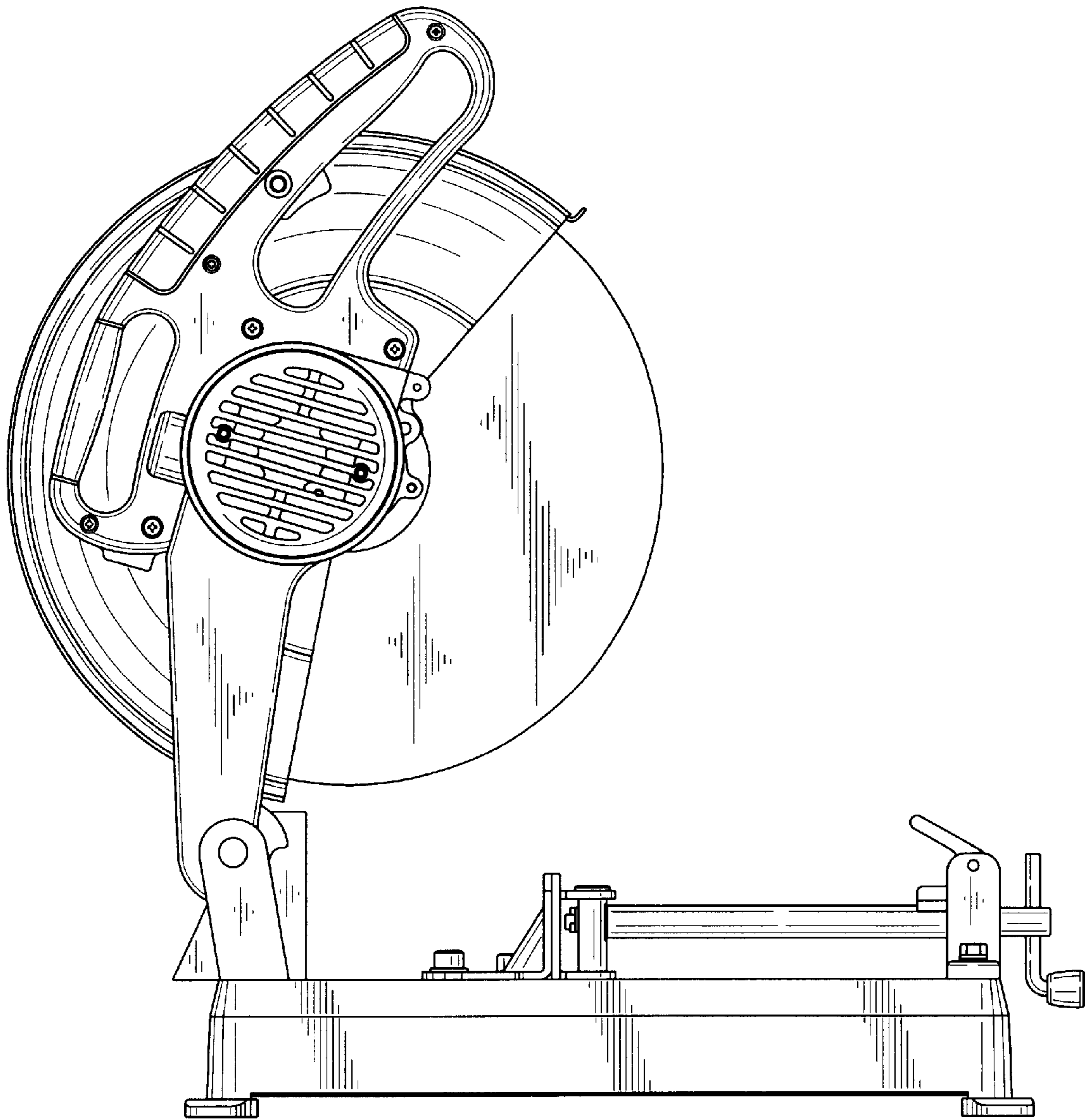


FIG. 4

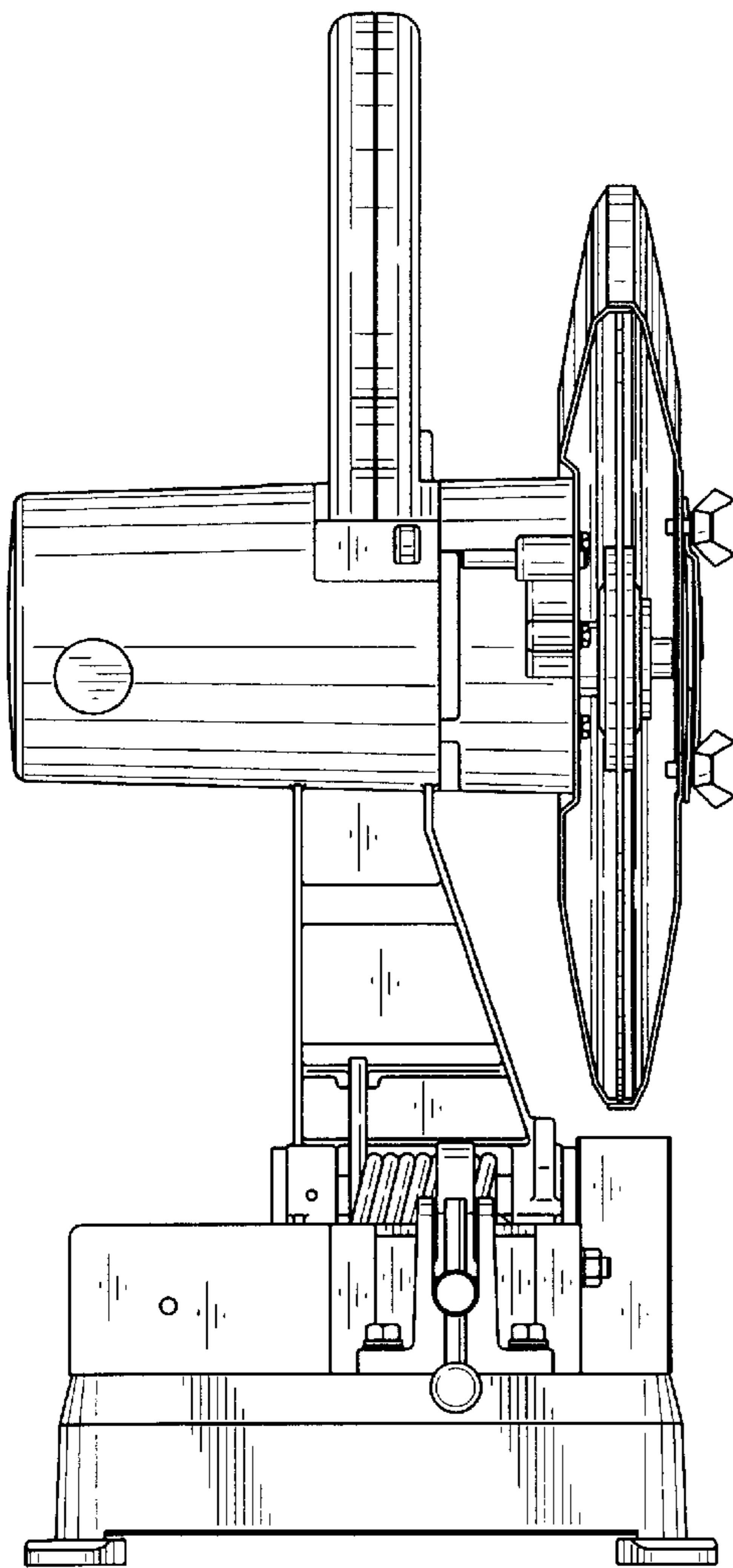


FIG. 5

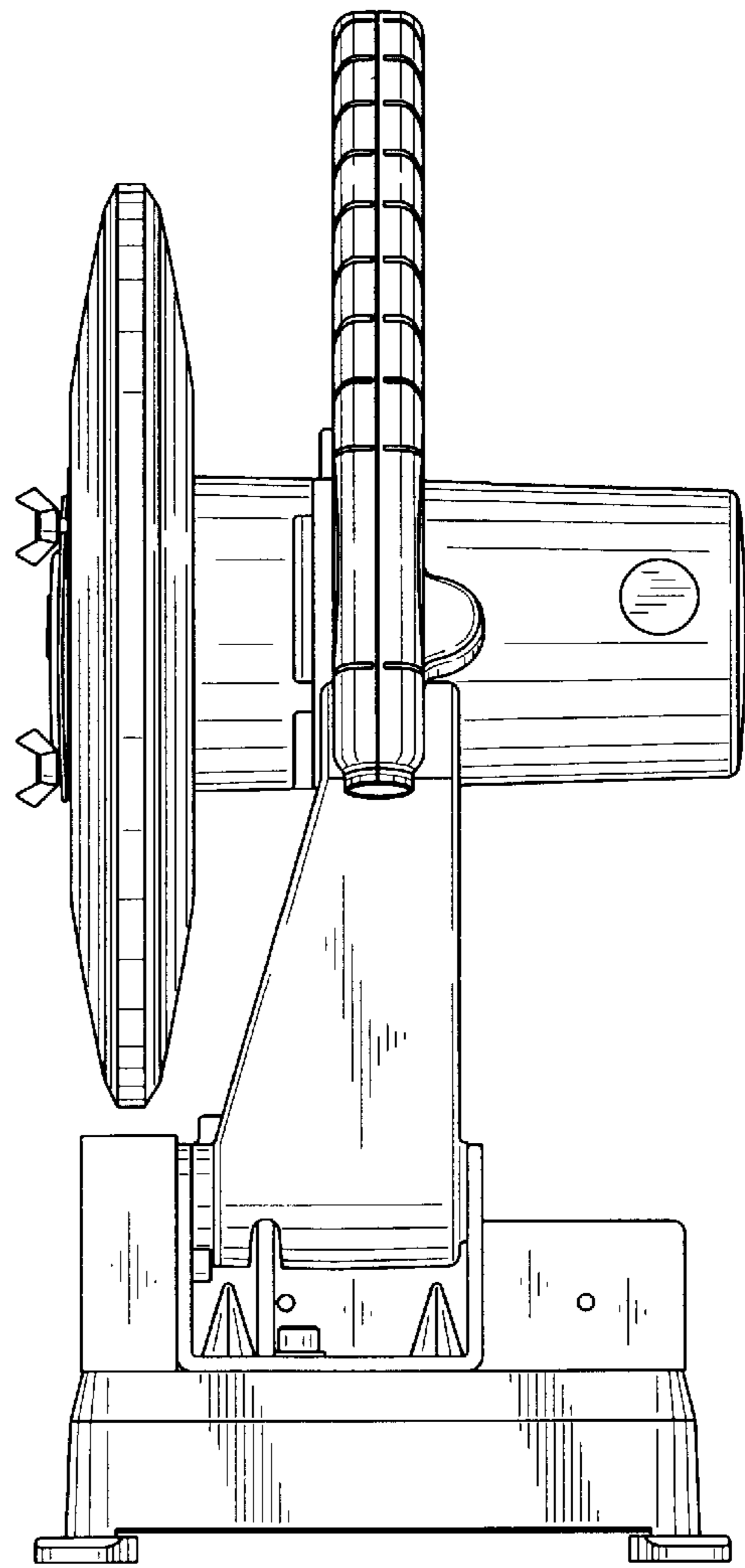


FIG. 6

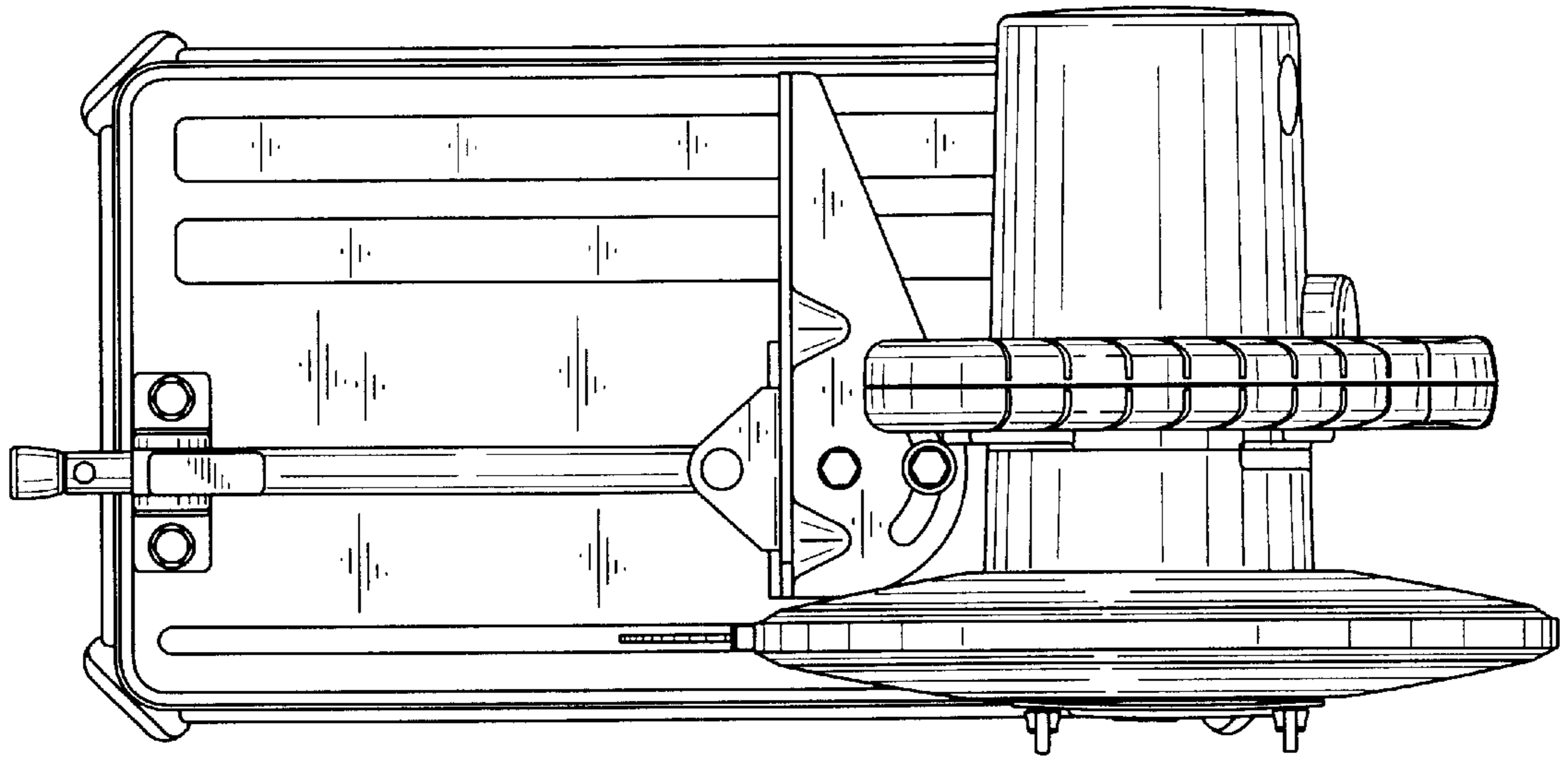


FIG. 7

