



US00D479251S

(12) **United States Design Patent**
Wright

(10) **Patent No.:** **US D479,251 S**

(45) **Date of Patent:** **** Sep. 2, 2003**

(54) **MITER SAW**

(75) **Inventor:** **Stuart J. Wright**, Timonium, MD (US)

(73) **Assignee:** **Black & Decker Inc.**, Newark, DE (US)

(**) **Term:** **14 Years**

(21) **Appl. No.:** **29/164,064**

(22) **Filed:** **Jul. 16, 2002**

(51) **LOC (7) Cl.** **15-09**

(52) **U.S. Cl.** **D15/133**

(58) **Field of Search** D15/133; 83/471.3, 83/486.1, 490, 581

(56) **References Cited**

U.S. PATENT DOCUMENTS

D336,652 S * 6/1993 Arehart D15/133
5,241,888 A * 9/1993 Chen 83/471.3

* cited by examiner

Primary Examiner—Antoine Duval Davis

(74) *Attorney, Agent, or Firm*—Adan Ayala

(57) **CLAIM**

The ornamental design for a miter saw, as shown and described.

DESCRIPTION

FIG. 1 is a front elevational view of a miter saw showing my new design.

FIG. 2 is a rear elevational view of the embodiment.

FIG. 3 is a left side elevational view of the embodiment.

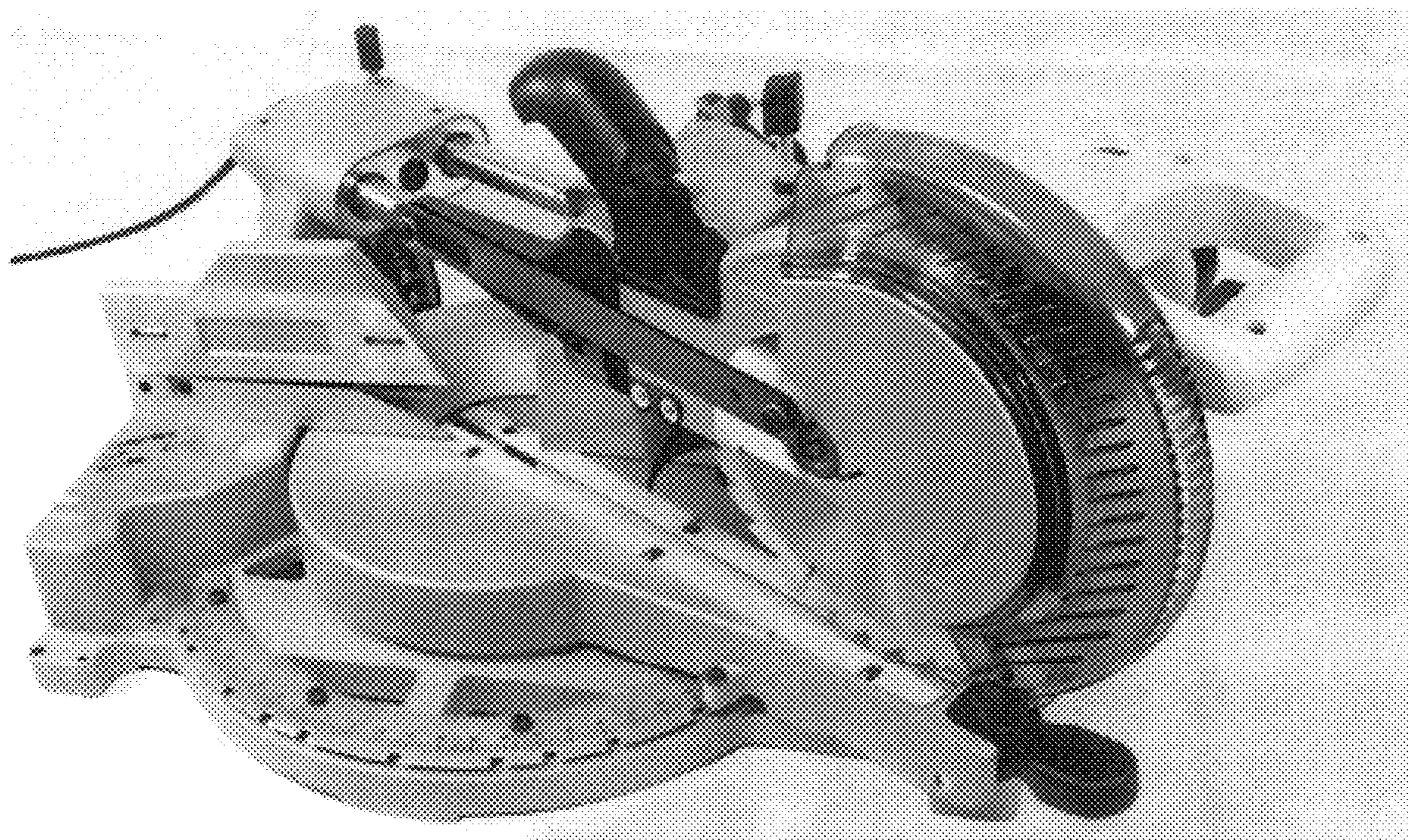
FIG. 4 is a right side elevational view of the embodiment.

FIG. 5 is a top plan view of the embodiment; and,

FIG. 6 is a front perspective view from the right side of the embodiment.

In the above drawings, any views not shown thereof do not form a part of the invention. In addition, any wording or numerals shown therein does not form a part of the invention.

1 Claim, 6 Drawing Sheets



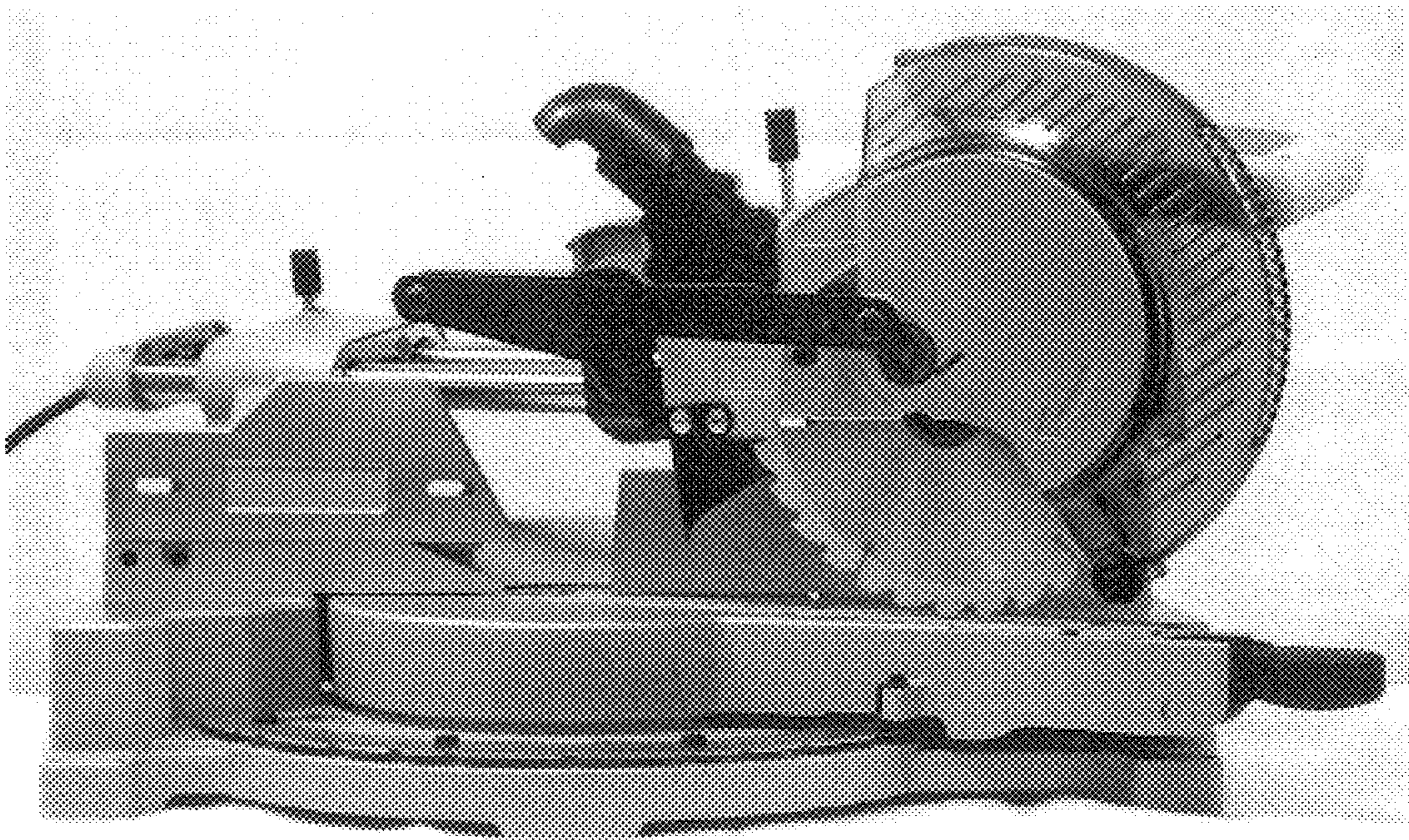


FIG. 1

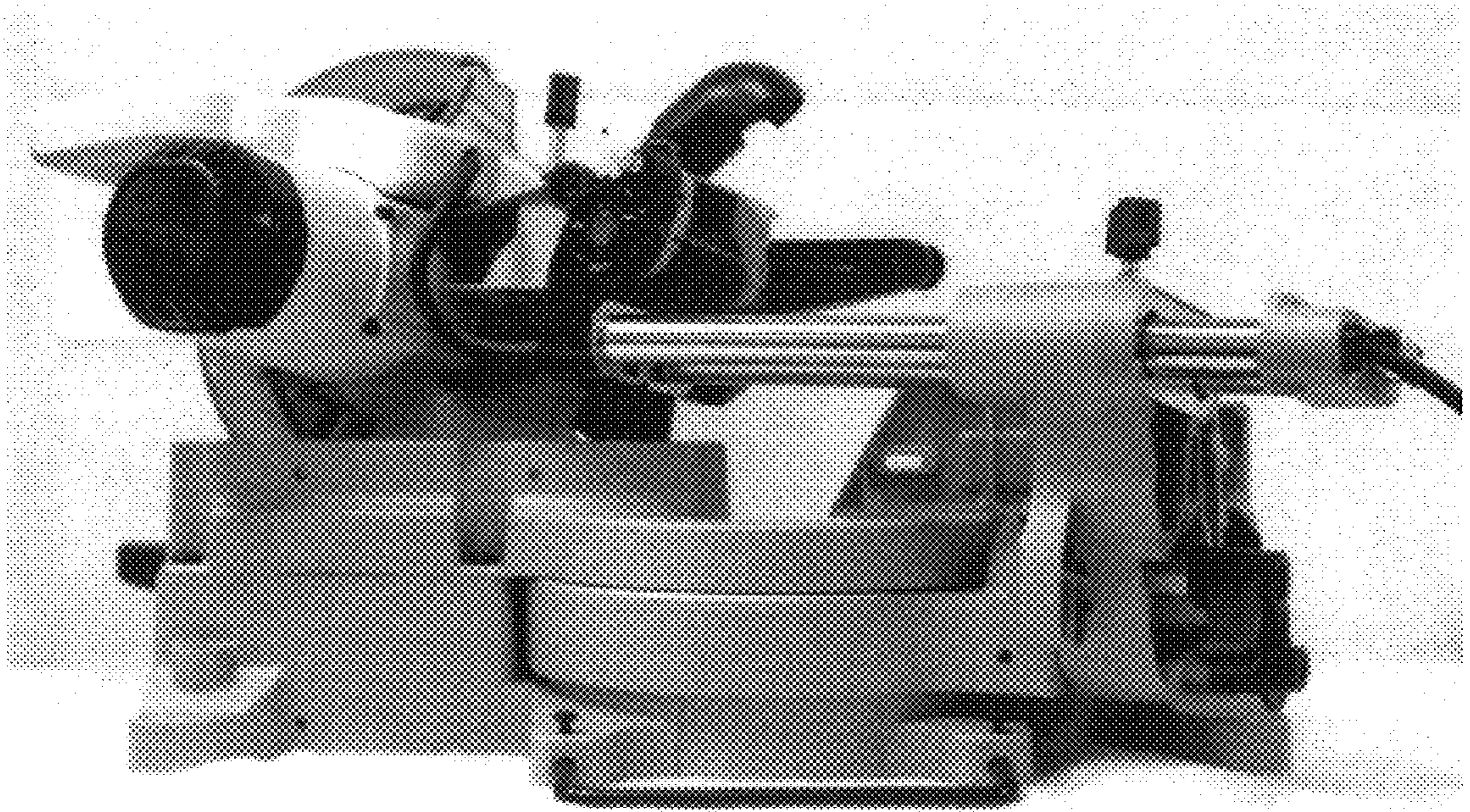


FIG. 2

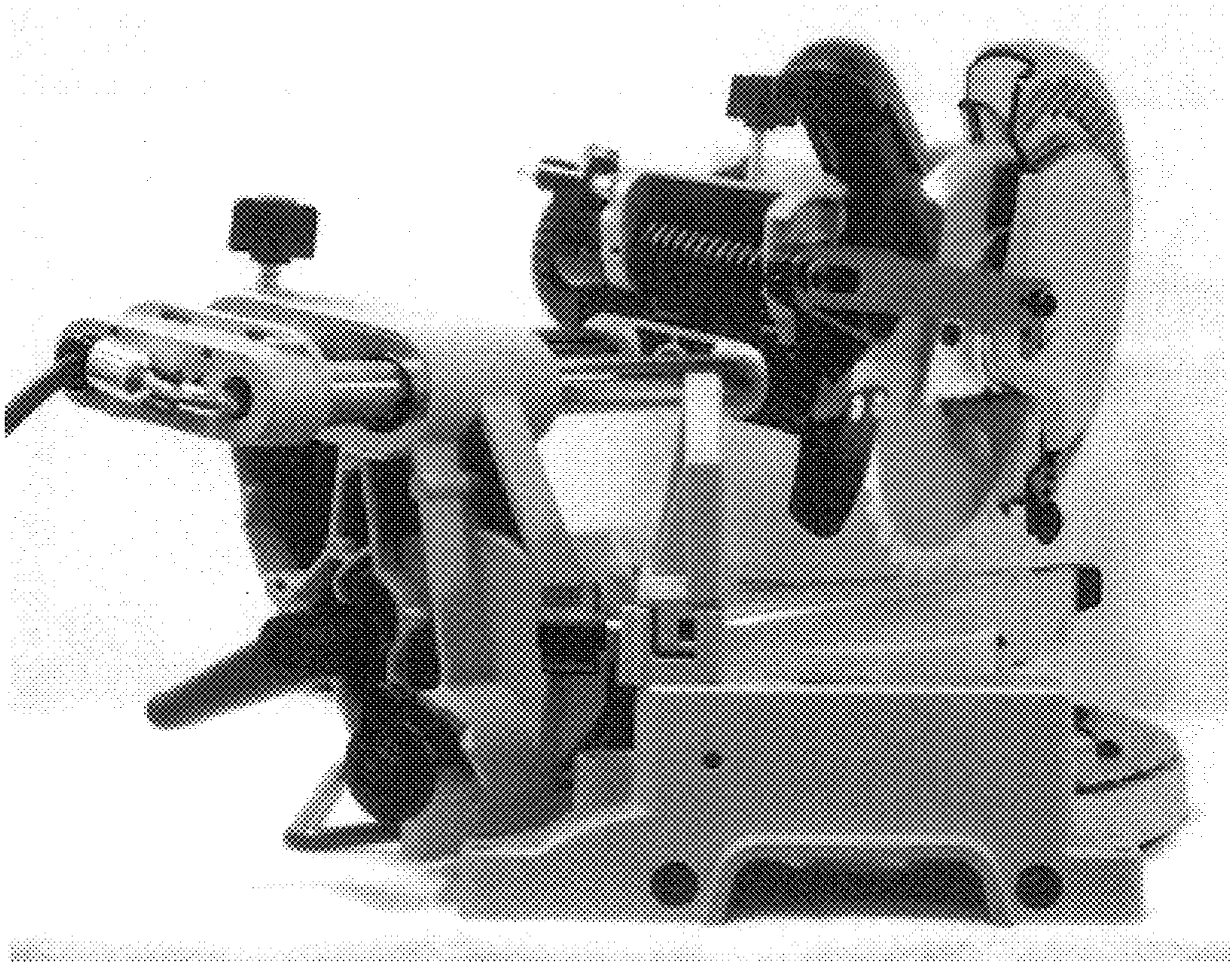


FIG. 3

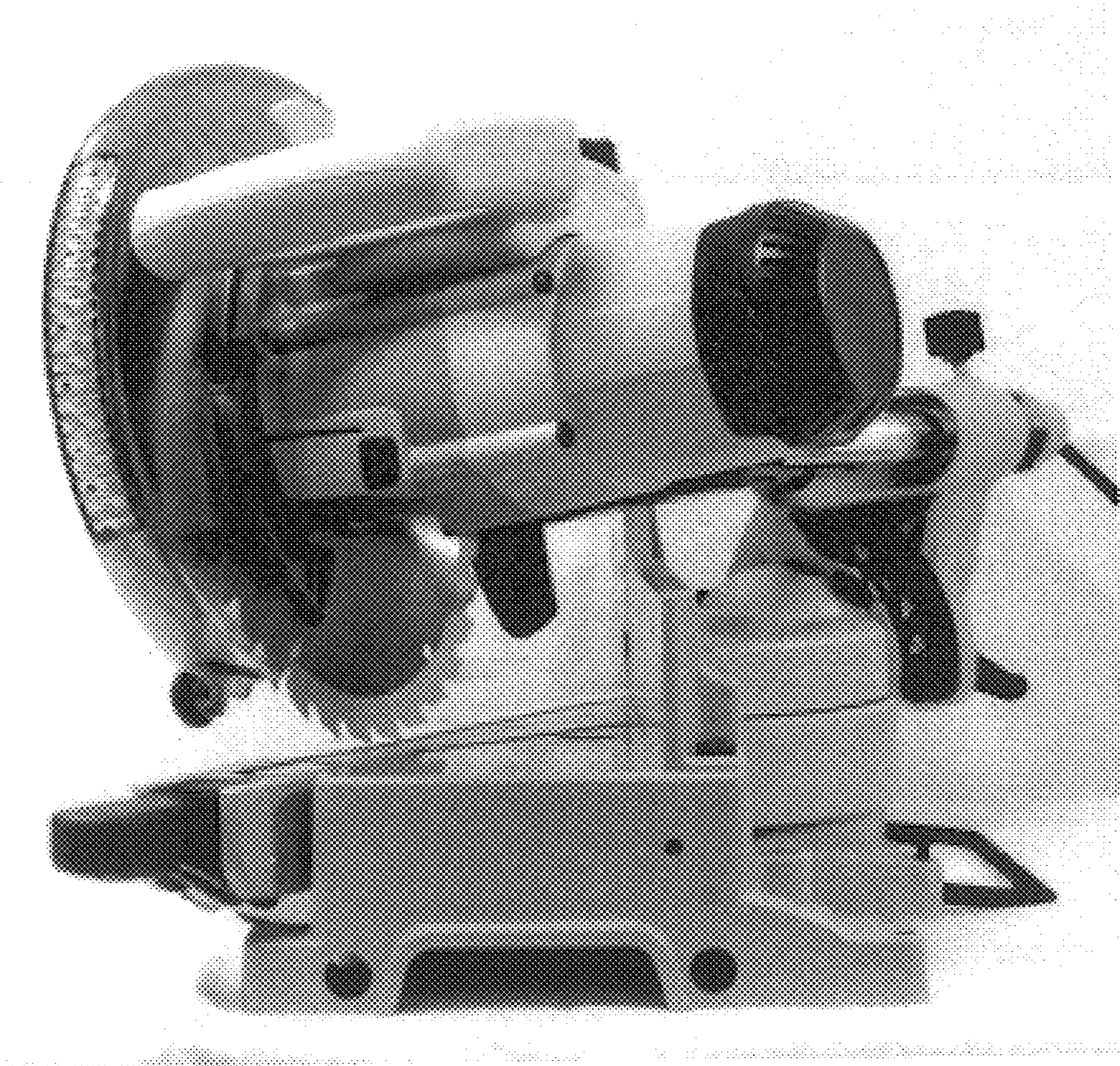


FIG. 4

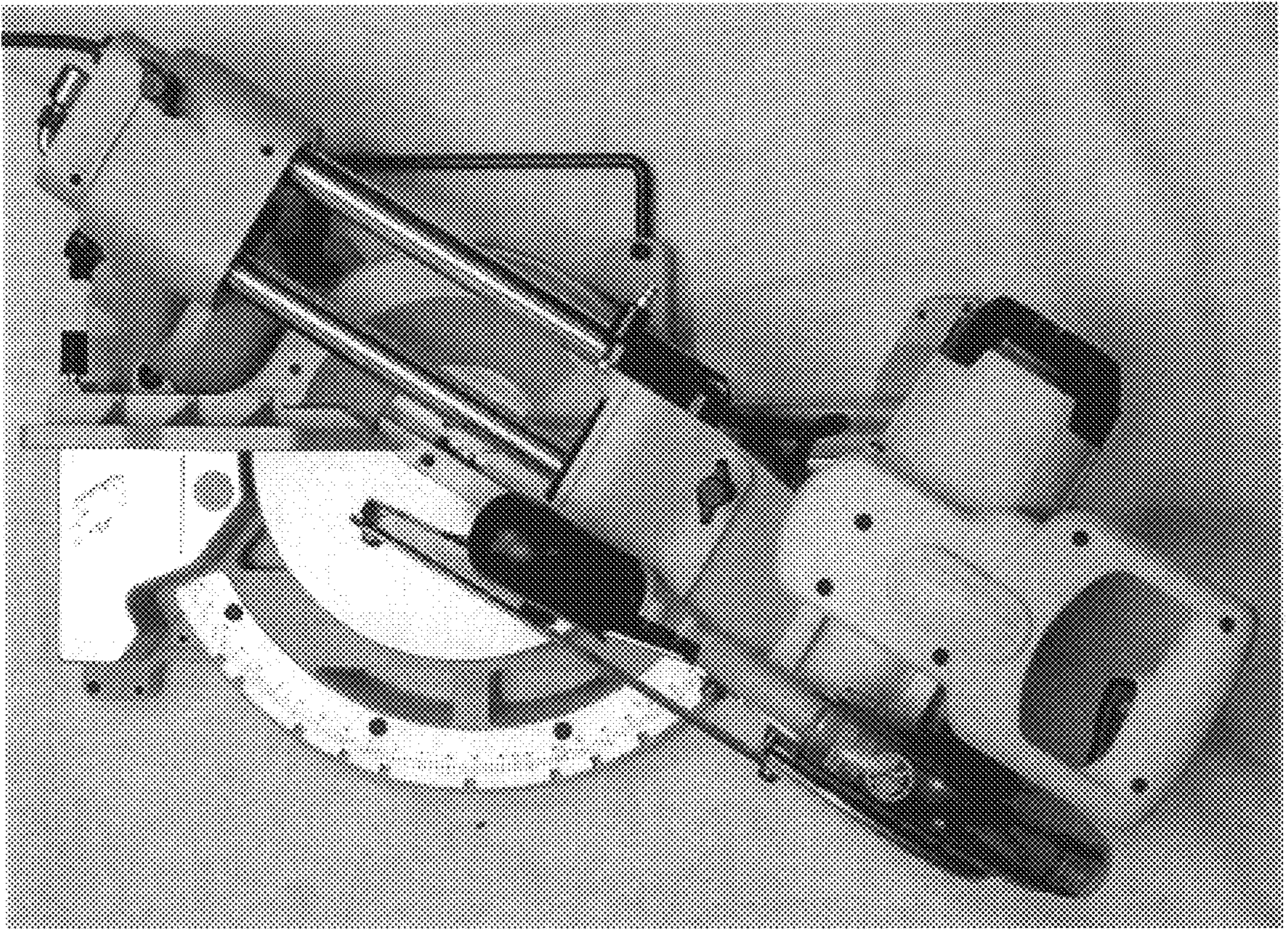


FIG. 5

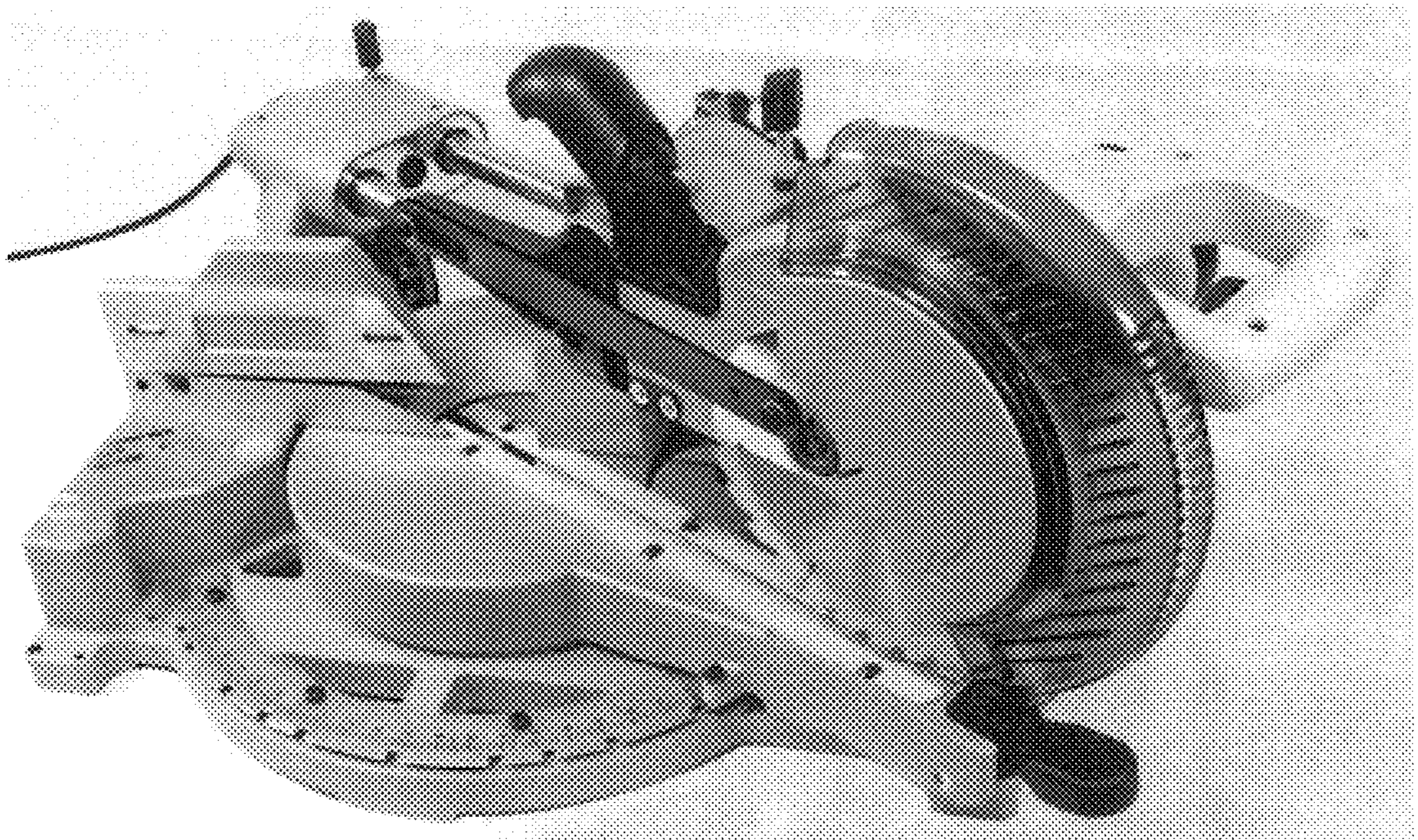


FIG. 6