



US00D479250S

(12) **United States Design Patent**  
**Altendorf**

(10) **Patent No.:** **US D479,250 S**

(45) **Date of Patent:** **\*\* Sep. 2, 2003**

(54) **COVER FOR A CIRCULAR SAWING MACHINE**

5,893,311 A \* 4/1999 Huang ..... 83/397  
6,055,734 A \* 5/2000 McCurry et al. .... 83/478 X  
6,182,548 B1 \* 2/2001 Meredith et al. .... 83/397

(75) Inventor: **Wilhelm Altendorf**, Minden (DE)

\* cited by examiner

(73) Assignee: **Wilhelm Altendorf GmbH & Co KG**,  
Minden (DE)

*Primary Examiner*—Antoine Duval Davis

(\*\*) Term: **14 Years**

(74) *Attorney, Agent, or Firm*—Altera Law Group LLC

(21) Appl. No.: **29/147,358**

(22) Filed: **Aug. 27, 2001**

(30) **Foreign Application Priority Data**

Feb. 28, 2001 (WO) ..... DM/055 743

(51) **LOC (7) Cl.** ..... **15-09**

(52) **U.S. Cl.** ..... **D15/133**

(58) **Field of Search** ..... D15/133; 83/373,  
83/388-391, 397, 397.1, 398, 860, DIG. 1

(56) **References Cited**

**U.S. PATENT DOCUMENTS**

5,862,594 A \* 1/1999 Soderqvist ..... 83/478 X

(57) **CLAIM**

The ornamental design for cover for a circular sawing machine, as shown and described.

**DESCRIPTION**

FIG. 1 is a left perspective view of the cover for a circular sawing machine.

FIG. 2 is a bottom view thereof.

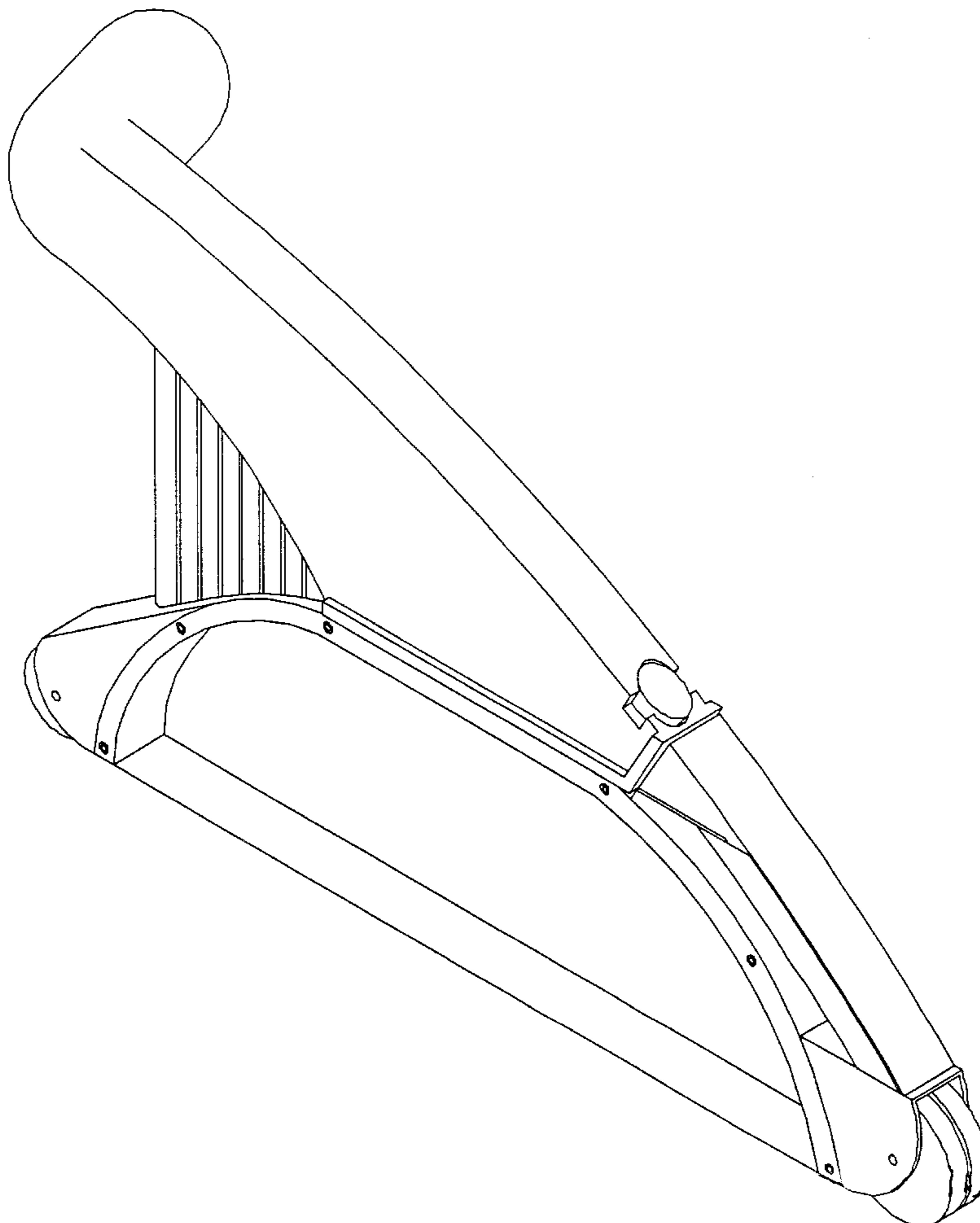
FIG. 3 is a right side view thereof.

FIG. 4 is a left side view thereof.

FIG. 5 is a top view thereof; and,

FIG. 6 is a front view thereof.

**1 Claim, 3 Drawing Sheets**



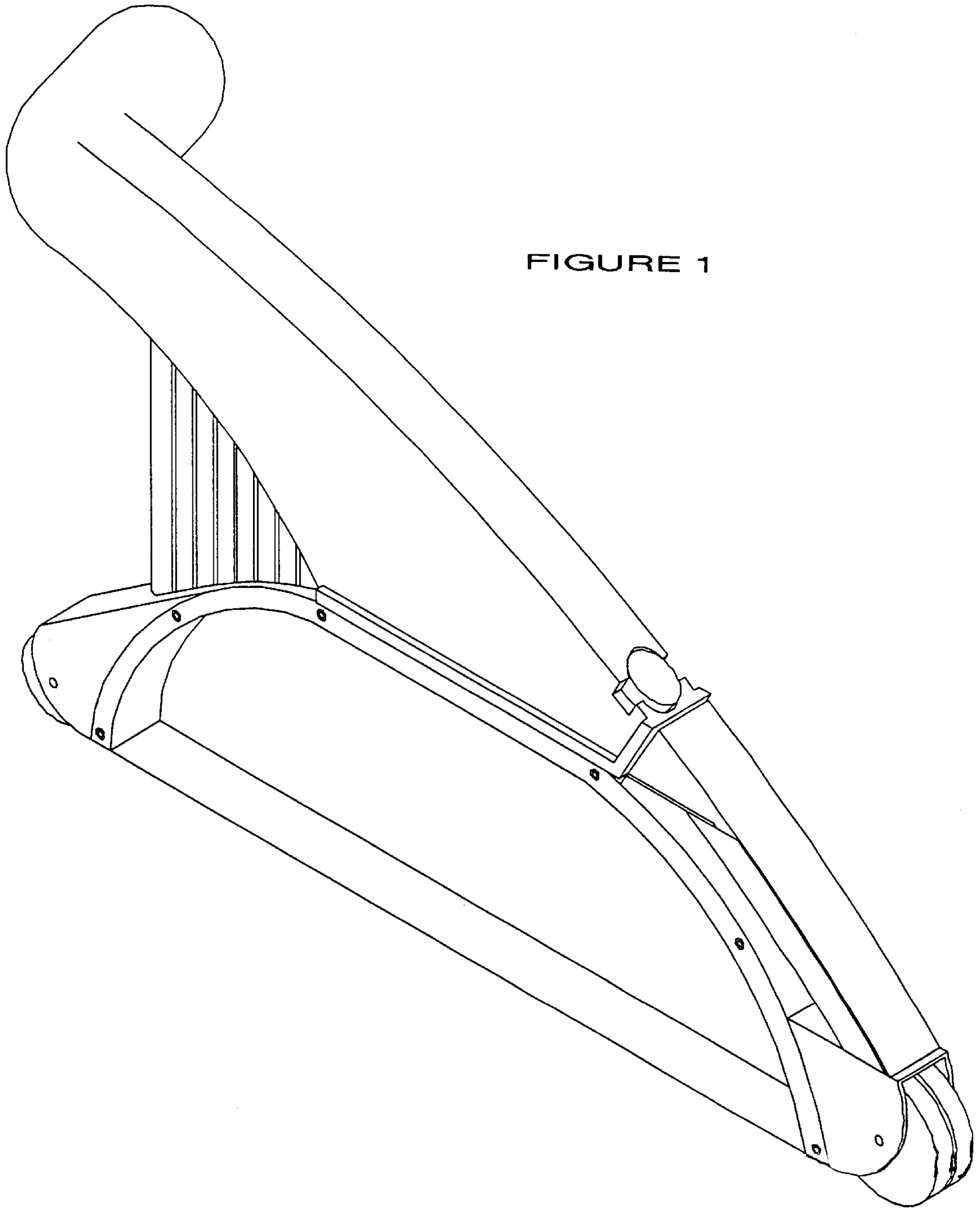


FIGURE 1

FIGURE 3

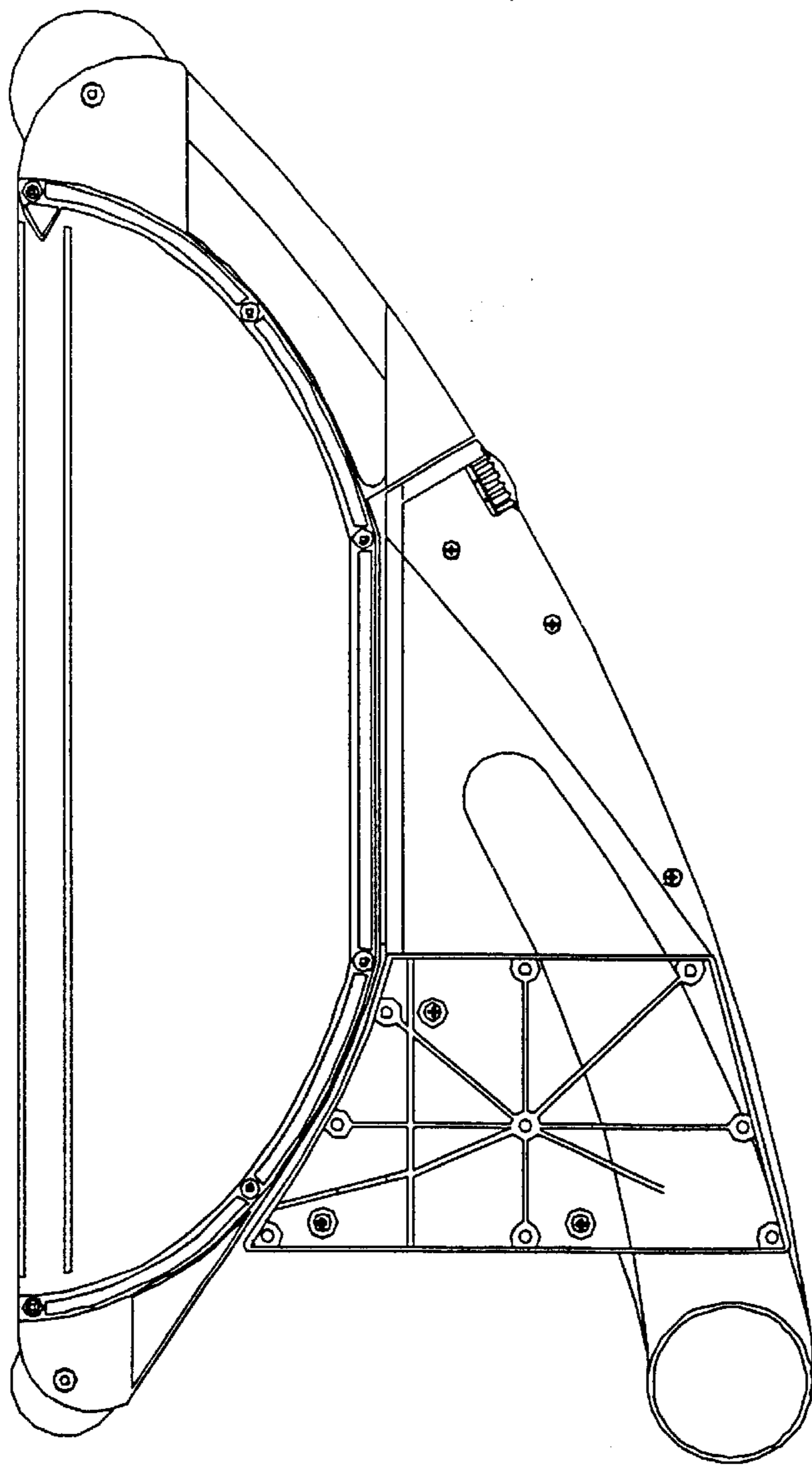


FIGURE 2

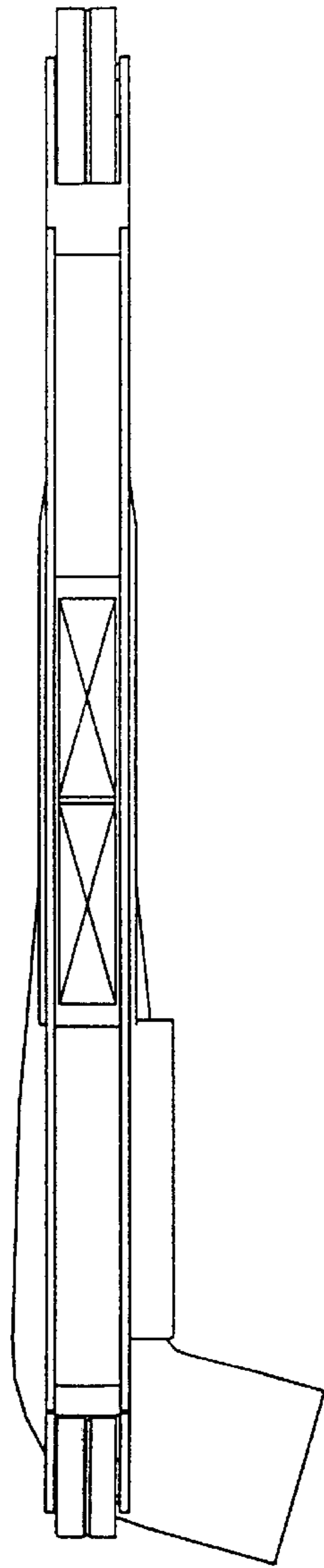


FIGURE 6

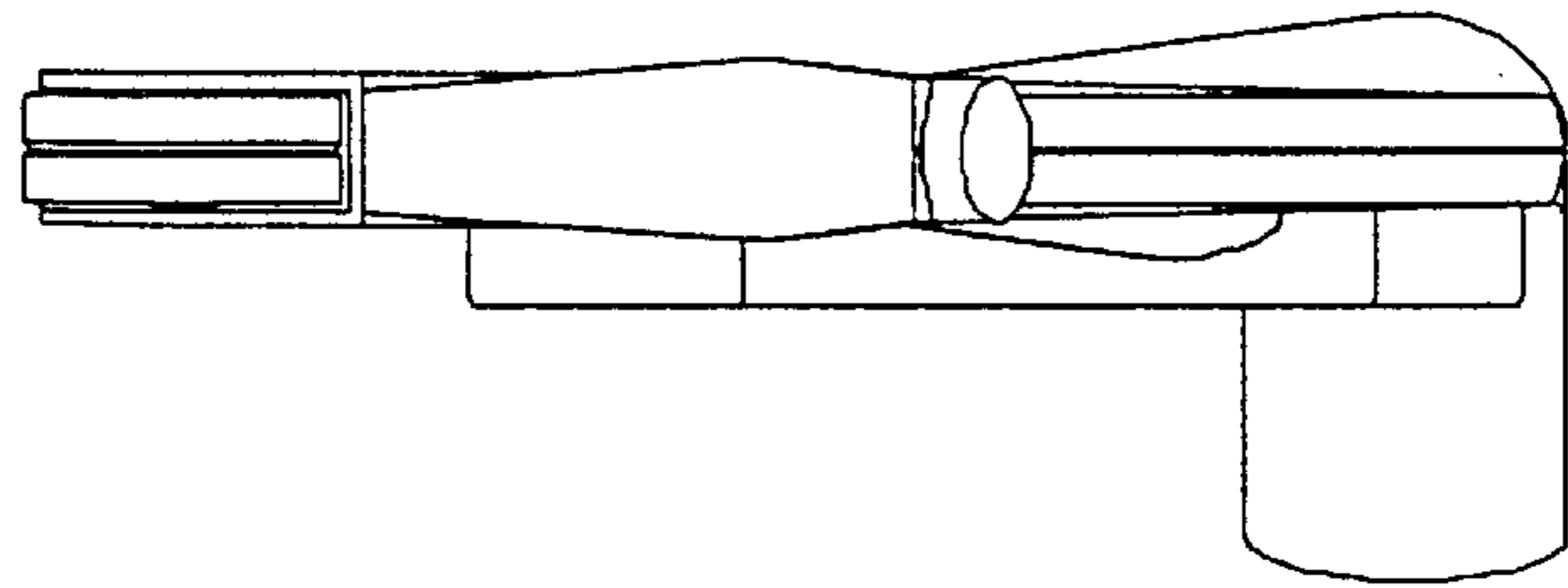


FIGURE 5

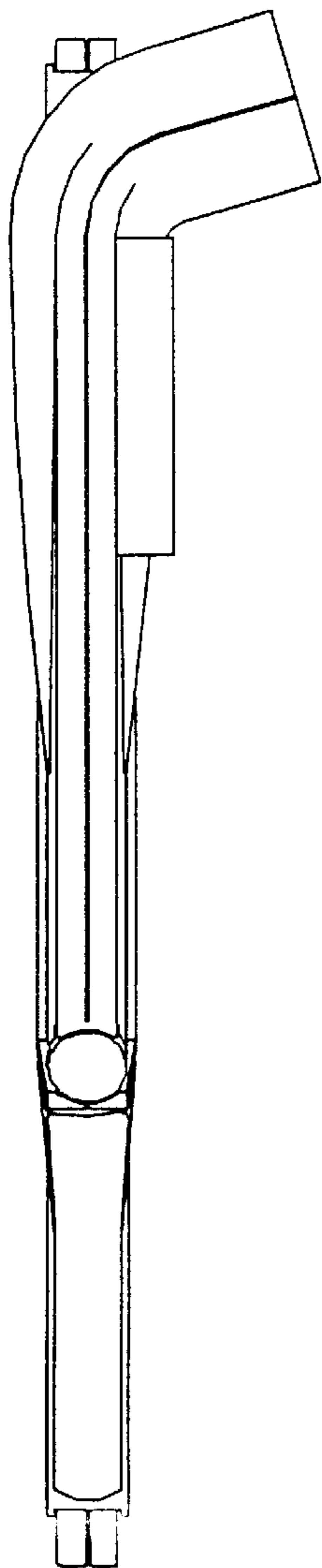


FIGURE 4

