



US00D479247S

(12) **United States Design Patent**
Ullrich

(10) **Patent No.:** **US D479,247 S**

(45) **Date of Patent:** **** Sep. 2, 2003**

(54) **COMPRESSOR**

(75) Inventor: **Wolfgang Ullrich, Halle (DE)**

(73) Assignee: **Bitzer Kuehlmaschinenbau GmbH, Sindelfingen (DE)**

(**) Term: **14 Years**

(21) Appl. No.: **29/161,460**

(22) Filed: **May 29, 2002**

(30) **Foreign Application Priority Data**

Nov. 30, 2001 (WO) DM/058 571

(51) **LOC (7) Cl.** **15-01**

(52) **U.S. Cl.** **D15/9**

(58) **Field of Search** D15/7-9; 417/234,
417/360, 362, 410.3, 410.4, 410.5, 411,
415

(56) **References Cited**

U.S. PATENT DOCUMENTS

D250,113 S * 10/1978 Nobata D15/9
D370,225 S 5/1996 Wada et al.

D382,883 S 8/1997 Breitzman et al.
D392,649 S 3/1998 Plummer et al.
D394,068 S 5/1998 Pollrich et al.
D399,214 S * 10/1998 DeRuyter D15/9
D419,567 S 1/2000 Weiss
D444,799 S 7/2001 Thomas, Jr. et al.
D452,254 S * 12/2001 Kawaguchi et al. D15/9
D466,523 S * 12/2002 Saito D15/9

* cited by examiner

Primary Examiner—Ralf Seifert

(74) *Attorney, Agent, or Firm*—Barry R. Lipsitz

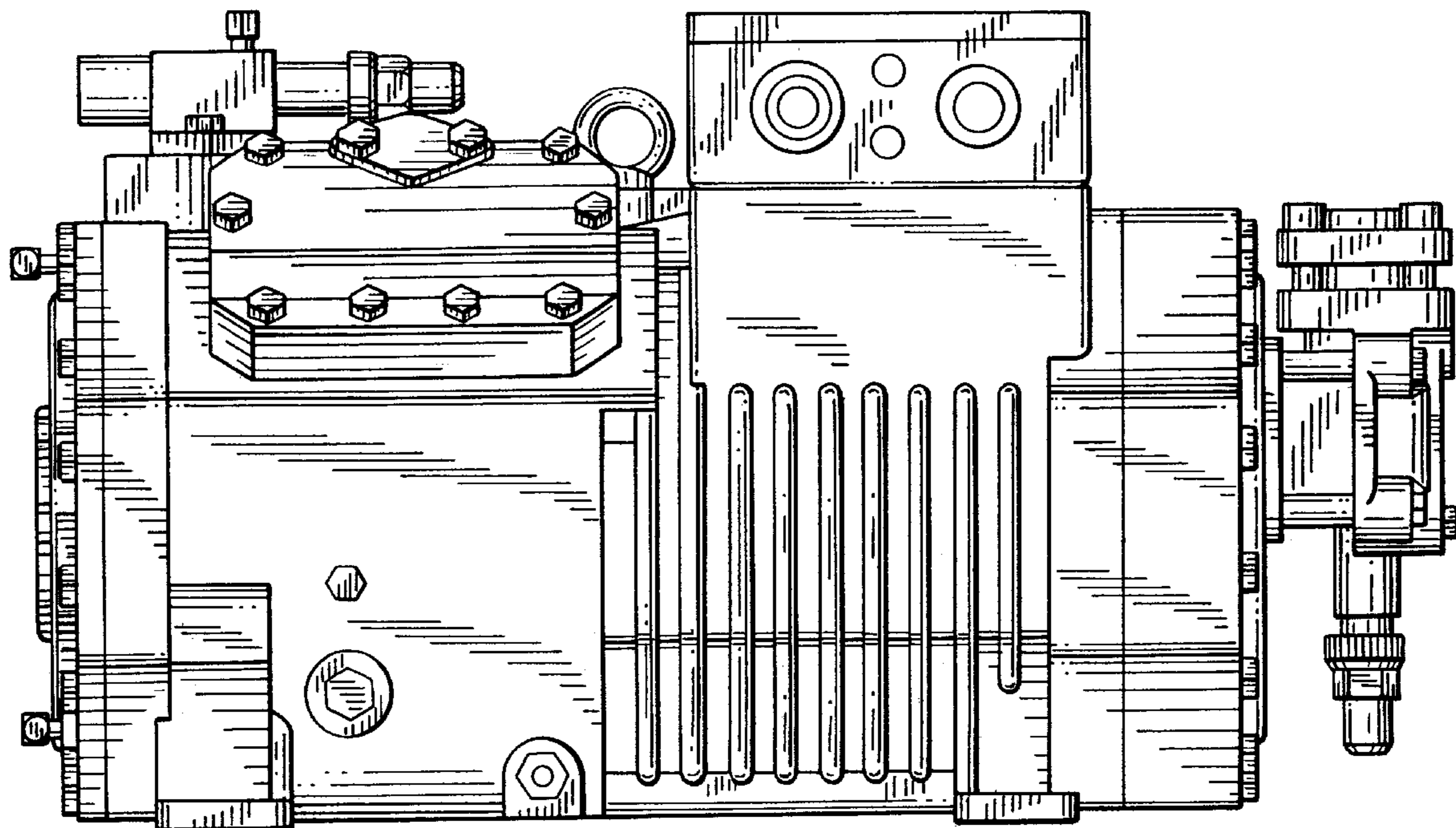
(57) **CLAIM**

The ornamental design for a compressor, as shown and described.

DESCRIPTION

FIG. 1 is a left side elevational view showing the design; FIG. 2 is a rear elevational view showing the design; FIG. 3 is a right side elevational view showing the design; FIG. 4 is a front elevational view showing the design; FIG. 5 is a top plan view showing the design; and, FIG. 6 is a bottom plan view showing the design.

1 Claim, 6 Drawing Sheets



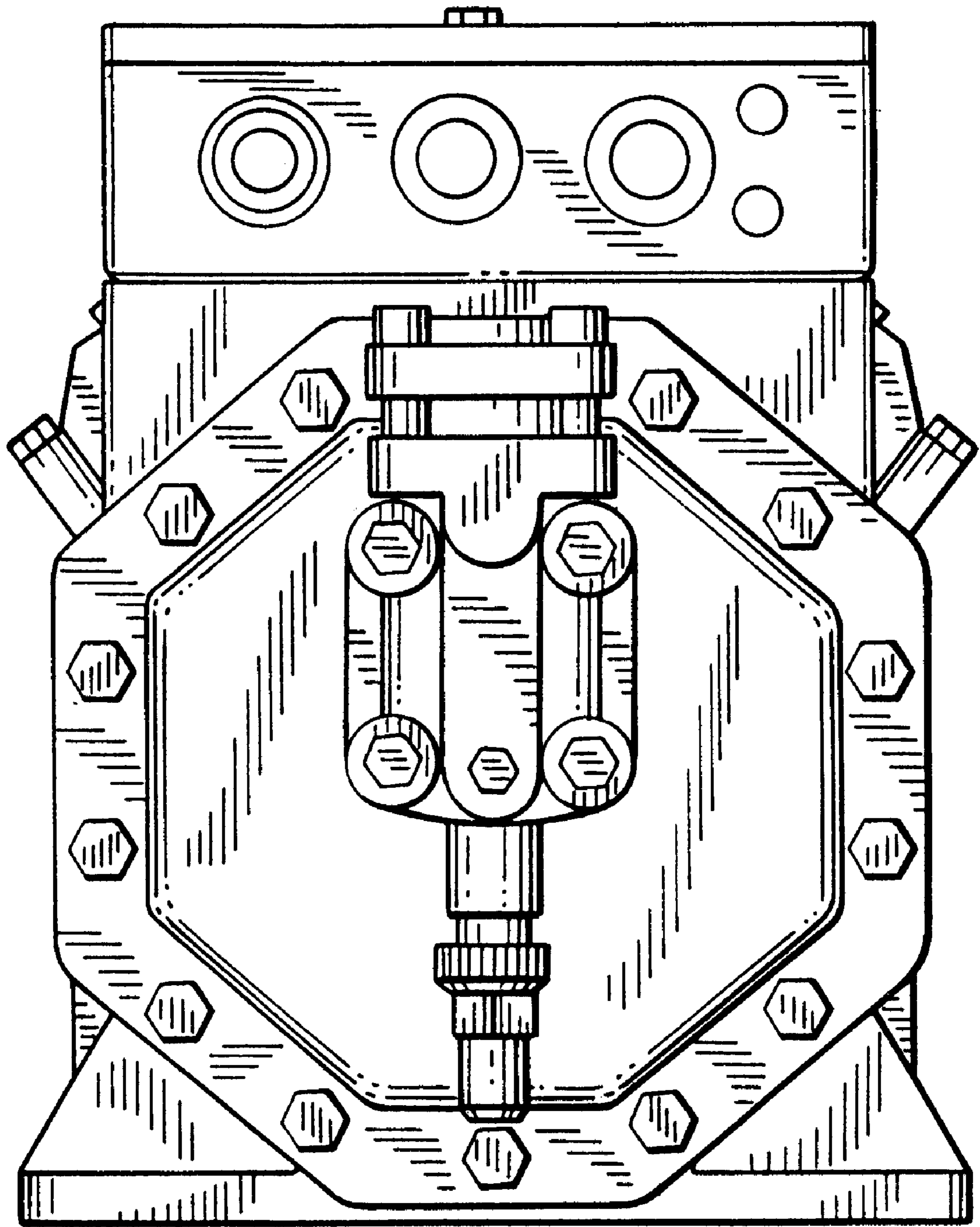


FIG. 1

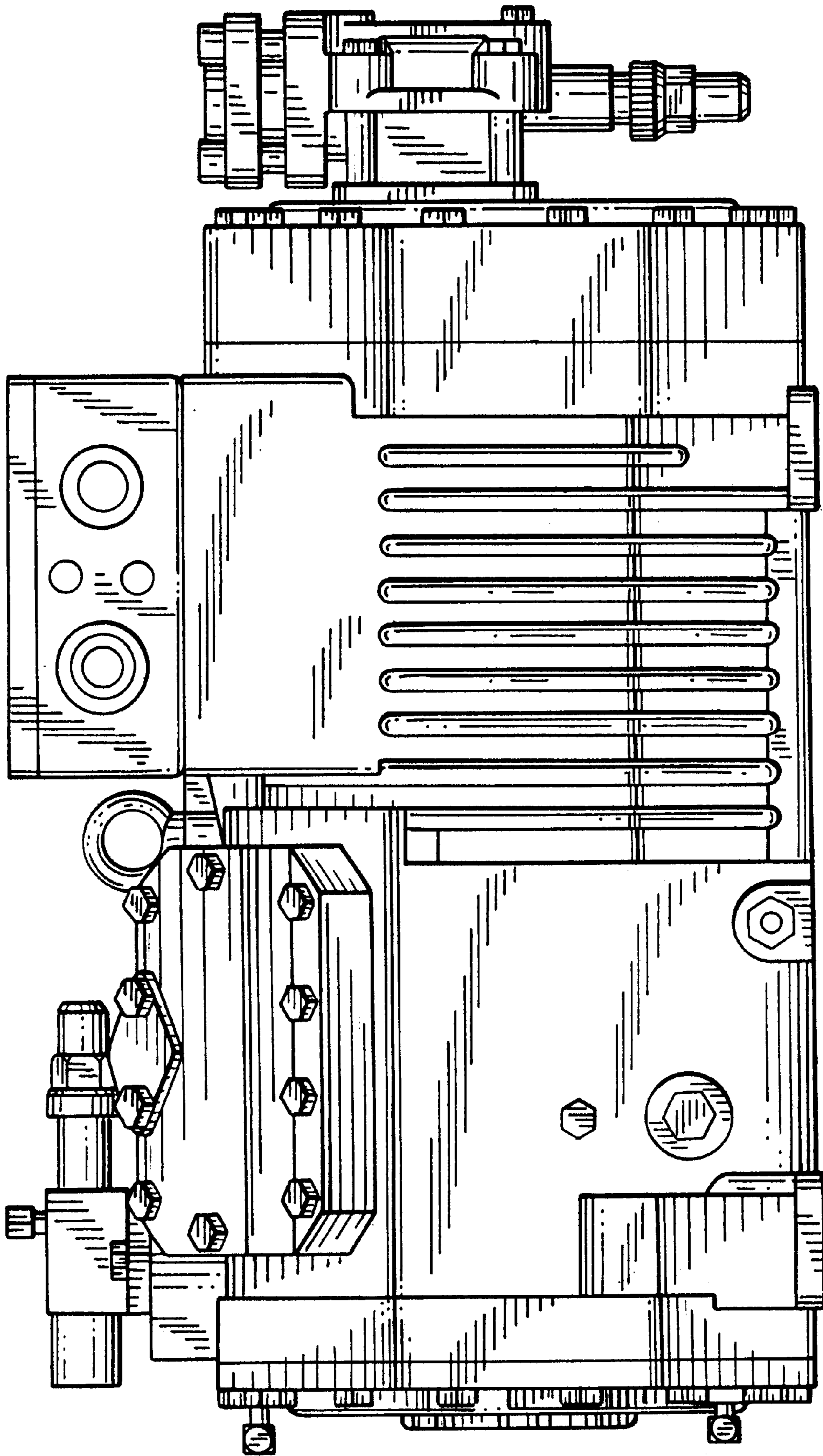
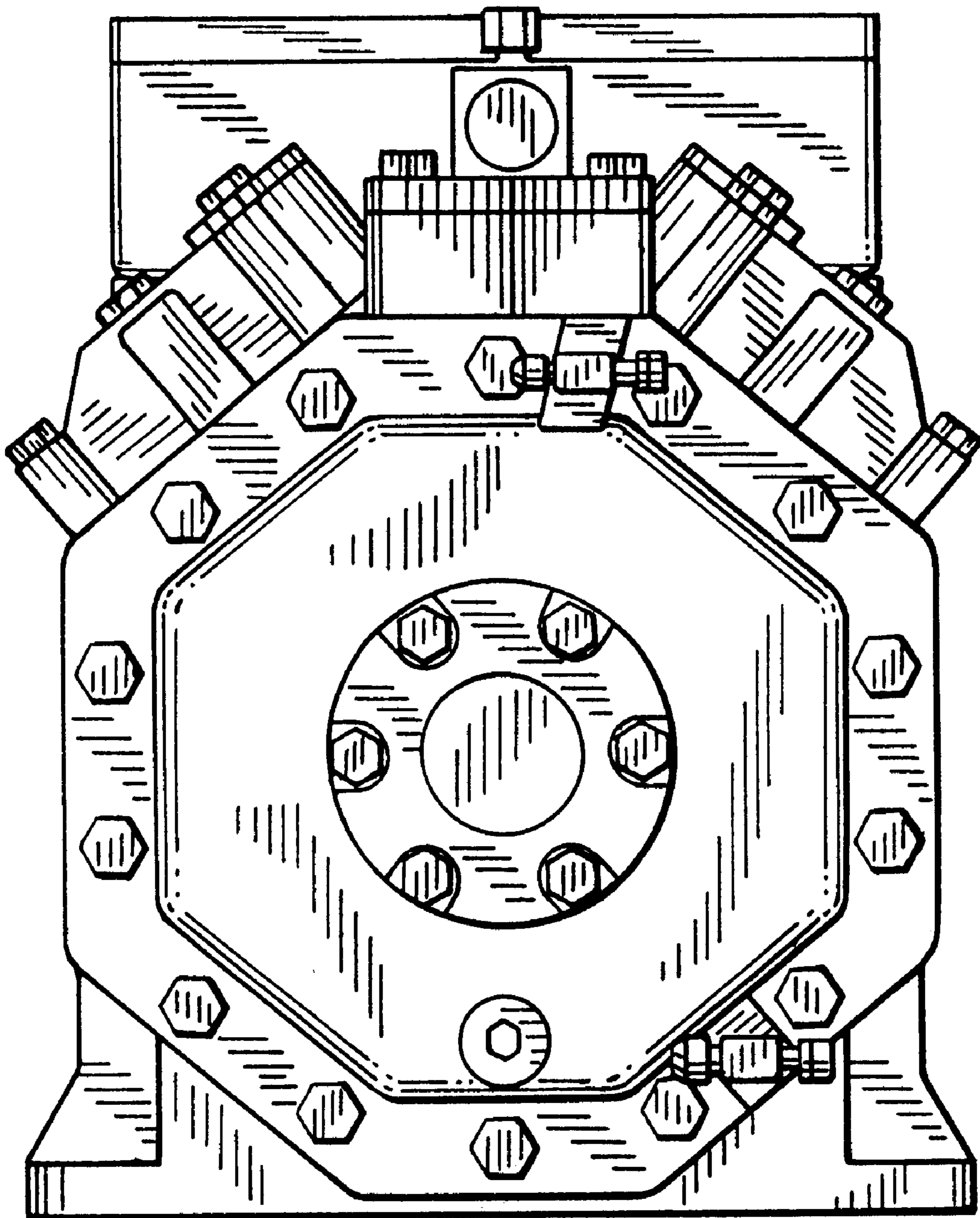


FIG. 2

FIG. 3



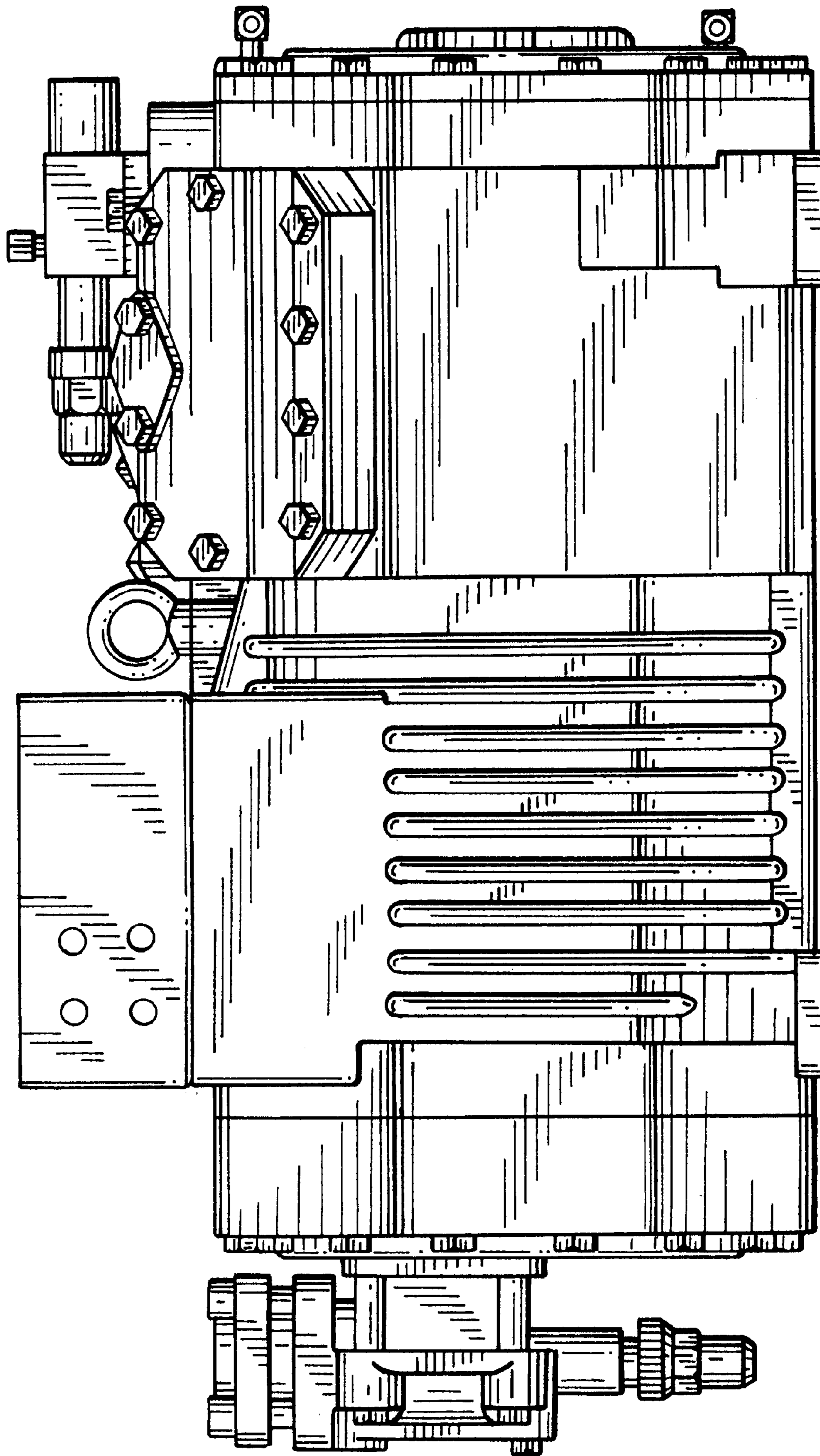


FIG. 4

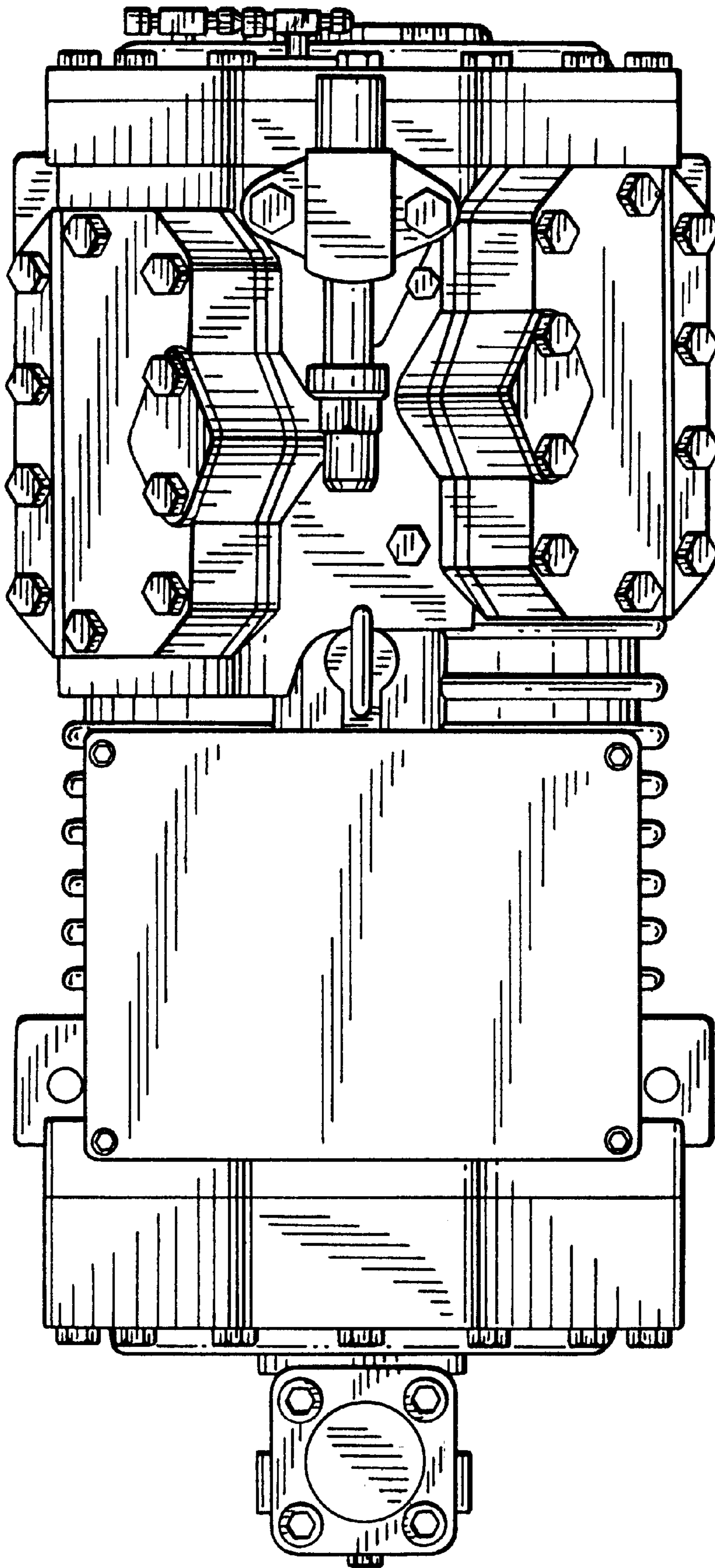


FIG. 5

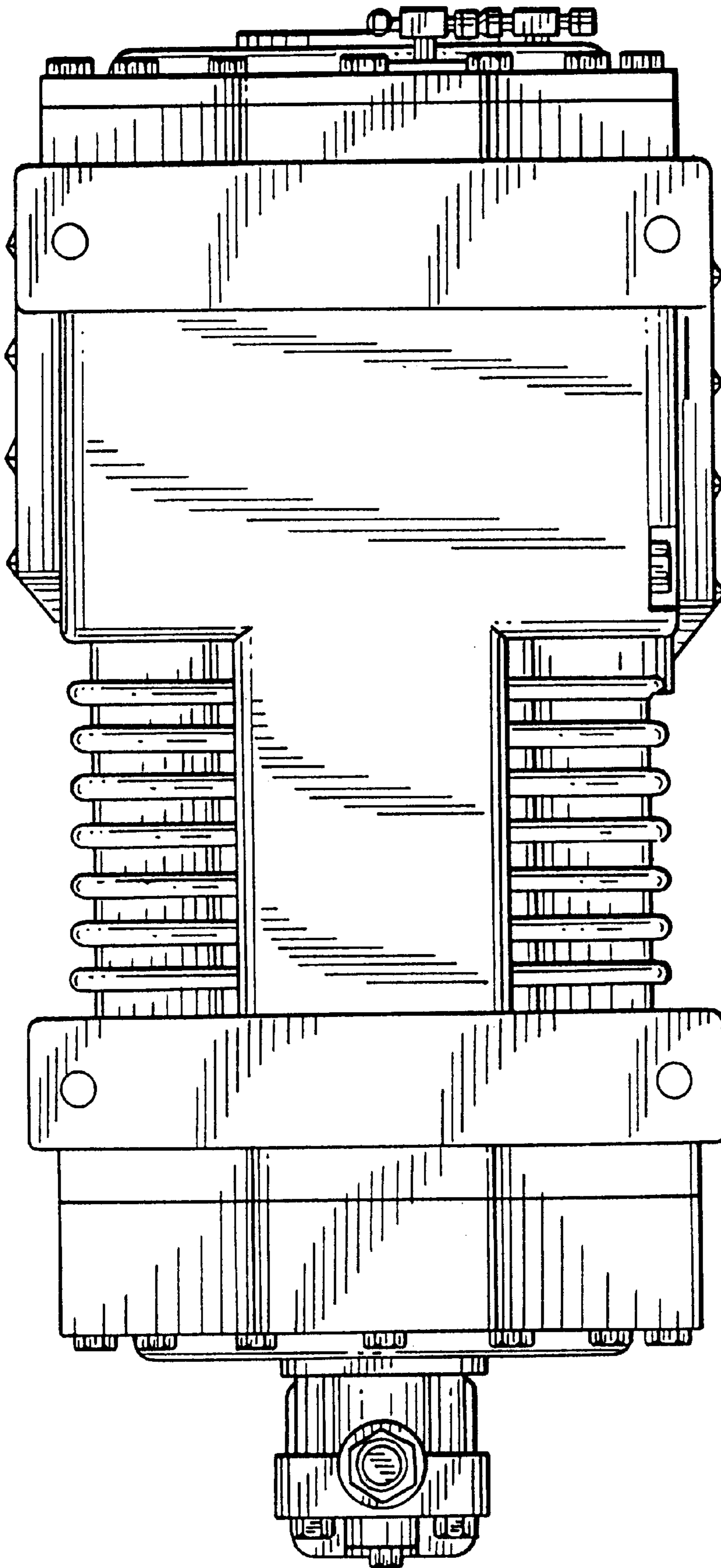


FIG. 6