



US00D479245S

(12) **United States Design Patent**  
**Leu**

(10) **Patent No.:** **US D479,245 S**

(45) **Date of Patent:** **\*\* Sep. 2, 2003**

(54) **PUMP**

(75) Inventor: **Shawn A. Leu**, Newton, WI (US)

(73) Assignee: **Thomas Industries, Inc.**, Sheboygan, WI (US)

(\*\*) Term: **14 Years**

(21) Appl. No.: **29/166,372**

(22) Filed: **Aug. 27, 2002**

(51) **LOC (7) Cl.** ..... **15-02**

(52) **U.S. Cl.** ..... **D15/7**

(58) **Field of Search** ..... D15/7, 9; 417/415,  
417/418, 534, 536

(56) **References Cited**

**U.S. PATENT DOCUMENTS**

4,978,284	A	*	12/1990	Cook et al.	.....	417/534
D352,721	S	*	11/1994	Cook et al.	.....	D15/7
D410,470	S	*	6/1999	Filipek et al.	.....	D15/7
D436,968	S	*	1/2001	Cook	.....	D15/7

**OTHER PUBLICATIONS**

Taskair Oil-Less Reciprocating Piston Compressors ½ and ¾ HP, Product Specification Sheet, 12/01, Thomas Pumps and Compressors.

HP Oil-Less Reciprocating Piston Compressors and Vacuum Pumps, 1 and ½ HP, Product Specification Sheet, 1/98, Thomas Compressors and Vacuum Pumps.

GH Oil-Less Reciprocating Piston Pumps and Compressors ¼ and ⅓ HP, Product Specification Sheet, 10/01, Thomas Pumps and Compressors.

Miniature Diaphragm Pumps & Compressors 7011 Series, Product Specification Sheet, 11/01, Thomas Pumps and Compressors.

Standard Product Catalog, Thomas Pumps and Compressors, 6/02.

\* cited by examiner

*Primary Examiner*—Ralf Seifert

(74) *Attorney, Agent, or Firm*—Quarles & Brady LLP

(57) **CLAIM**

The ornamental design for a pump, as shown and described.

**DESCRIPTION**

FIG. 1 is a perspective view of a pump showing my new design;

FIG. 2 is a front side elevational view thereof;

FIG. 3 is a back side elevational view thereof;

FIG. 4 is a left end elevational view thereof;

FIG. 5 is a right end elevational view thereof;

FIG. 6 is a top view thereof; and,

FIG. 7 is a bottom view thereof.

It being understood that the broken lines are for illustrative purposes only.

**1 Claim, 4 Drawing Sheets**

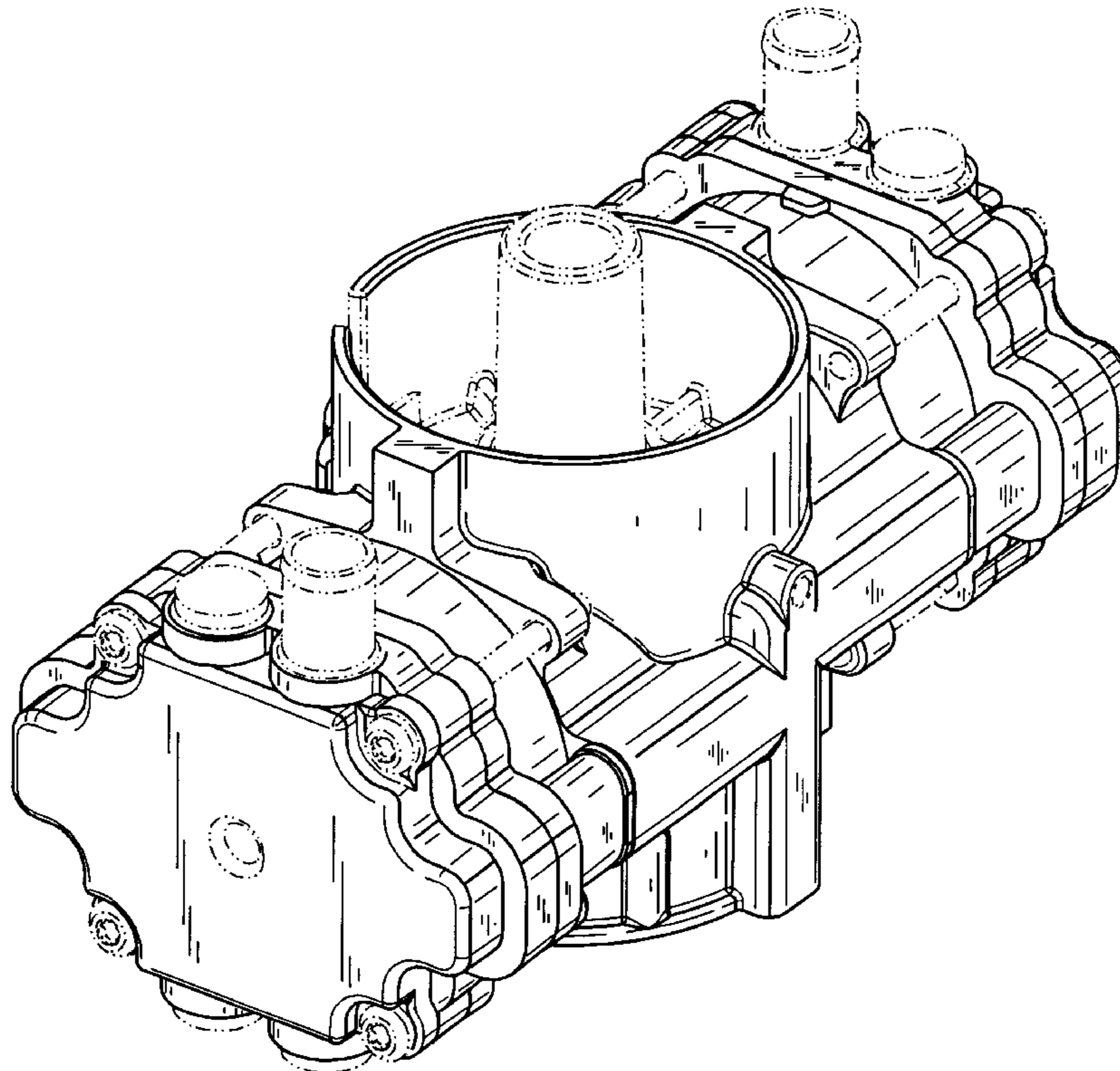


FIG. 1

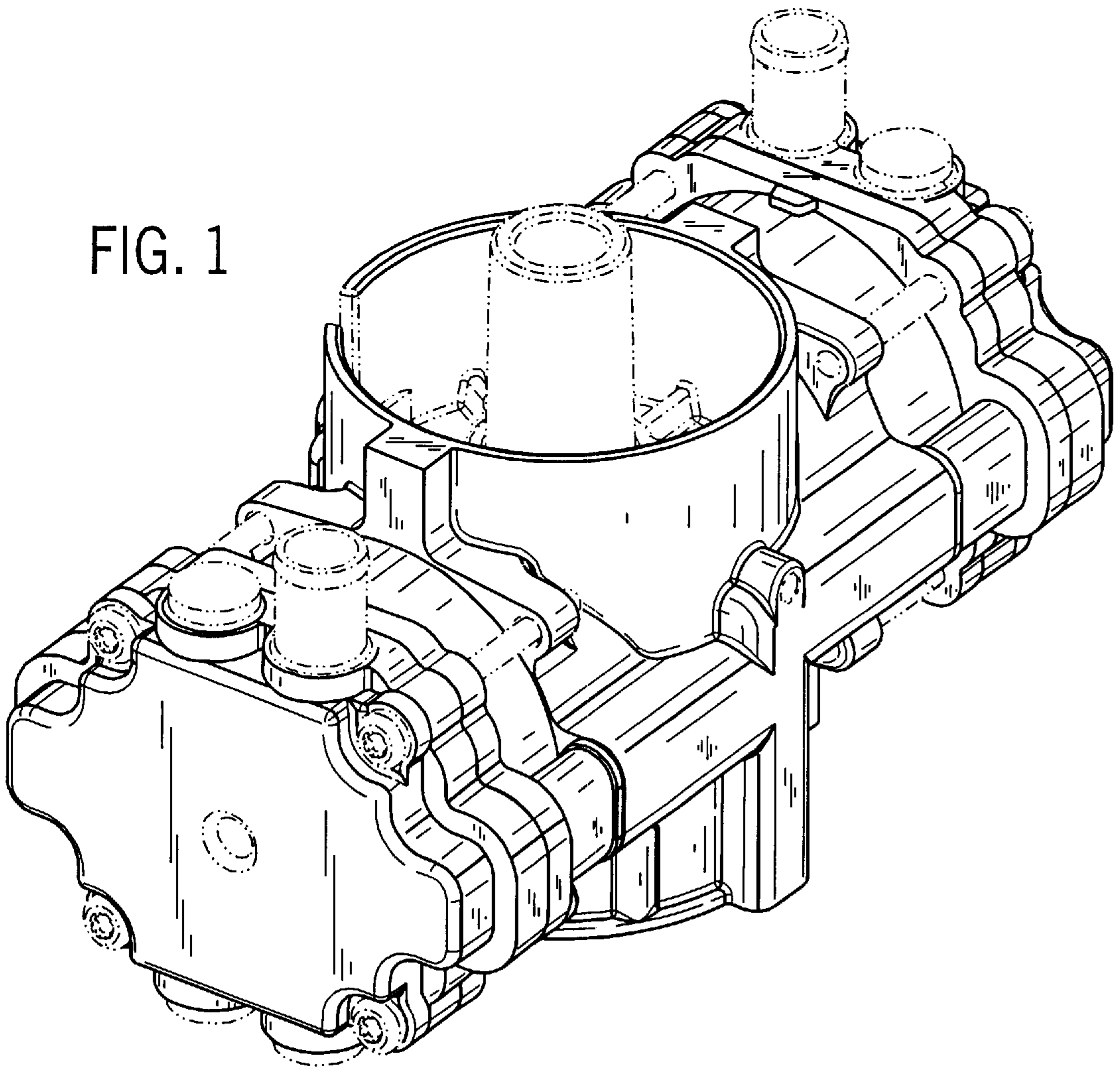


FIG. 2

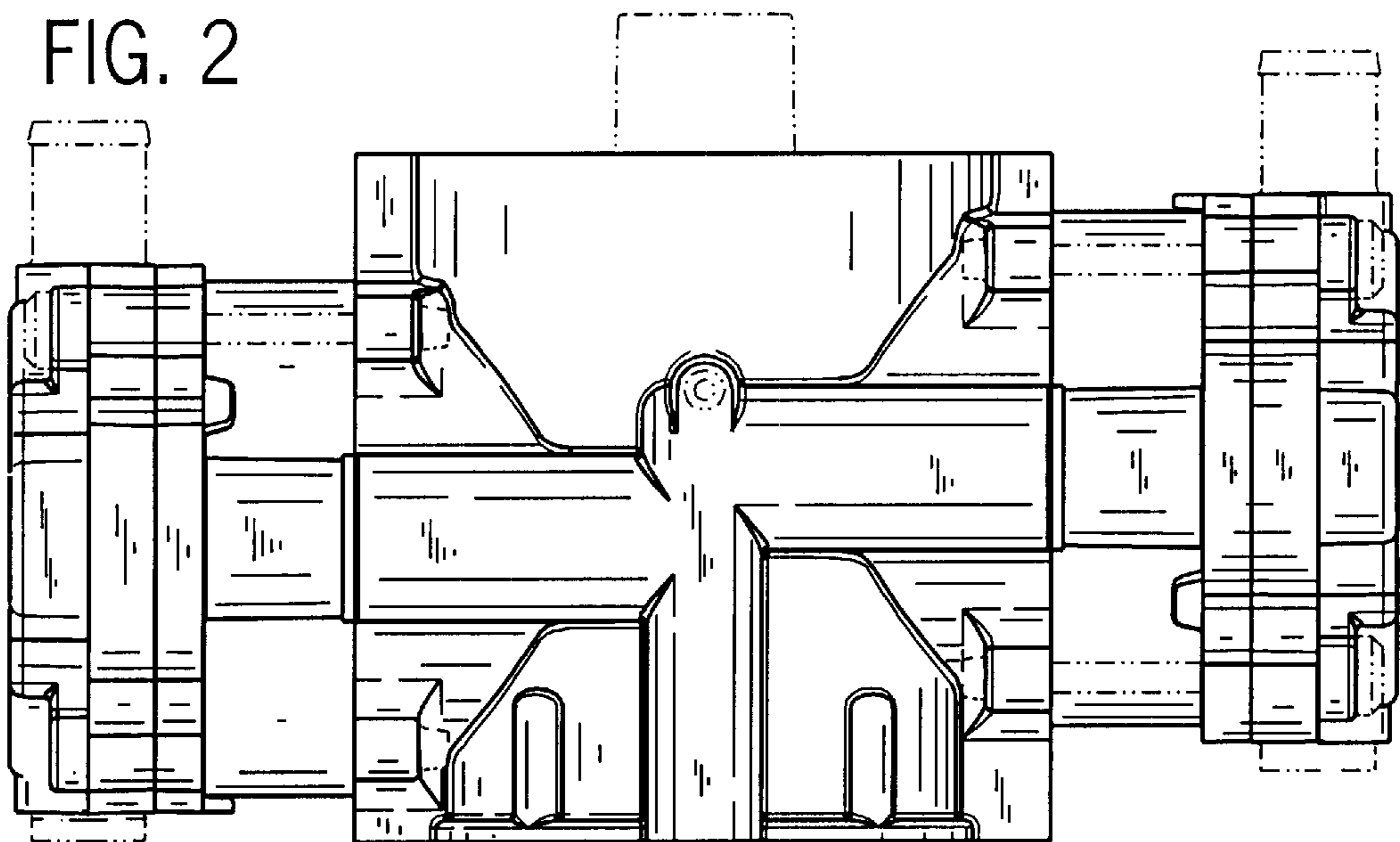


FIG. 3

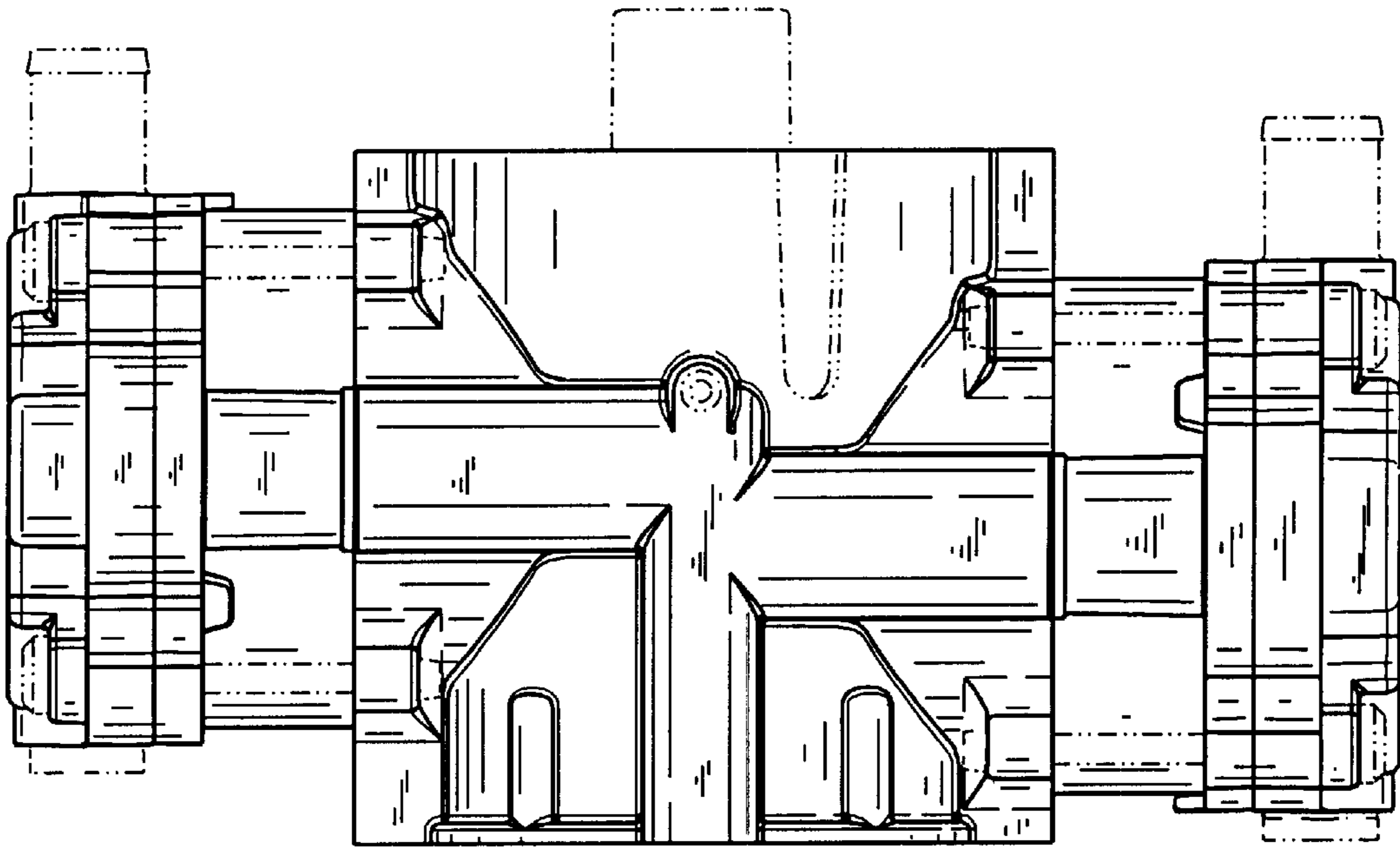


FIG. 4

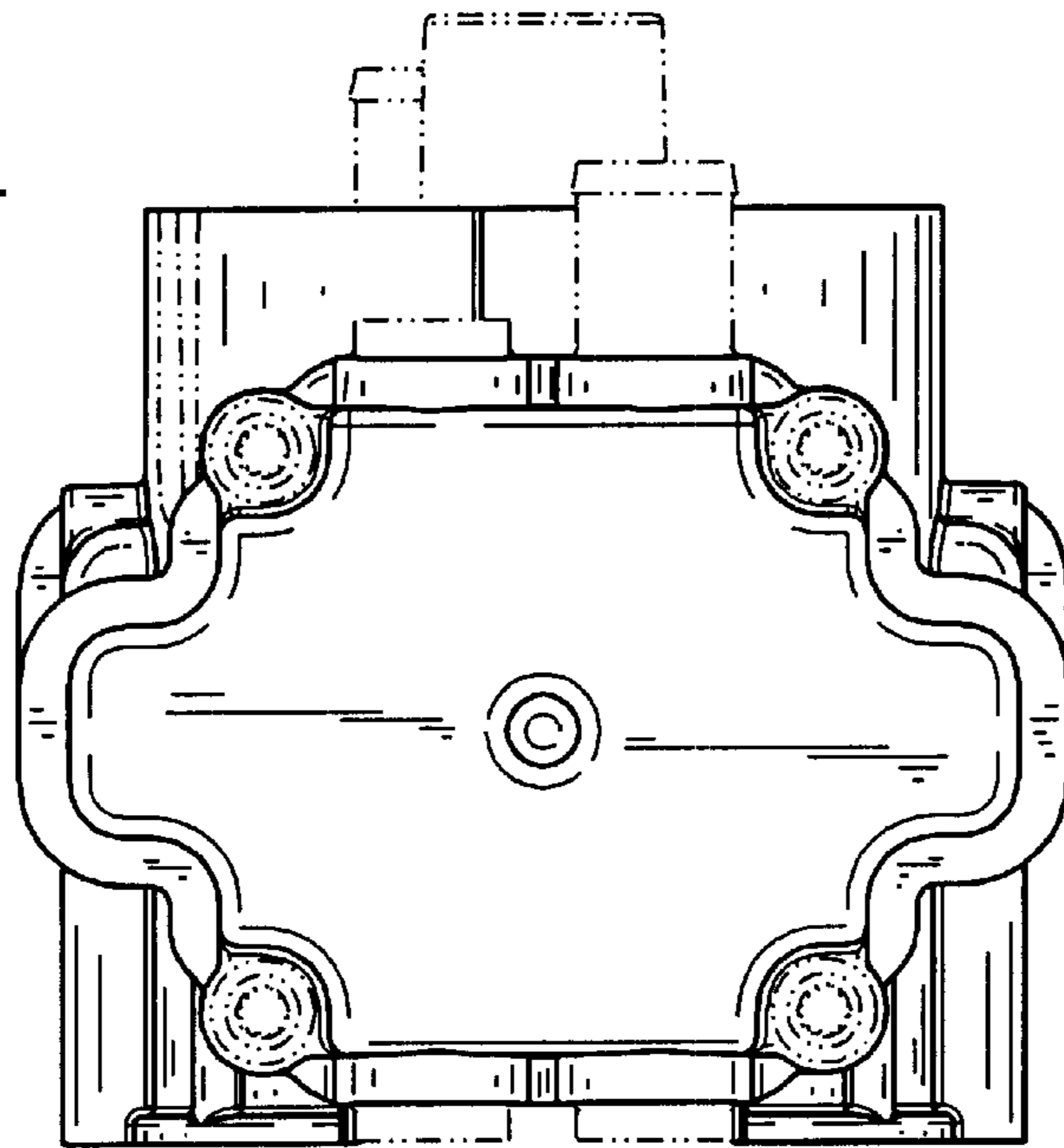


FIG. 5

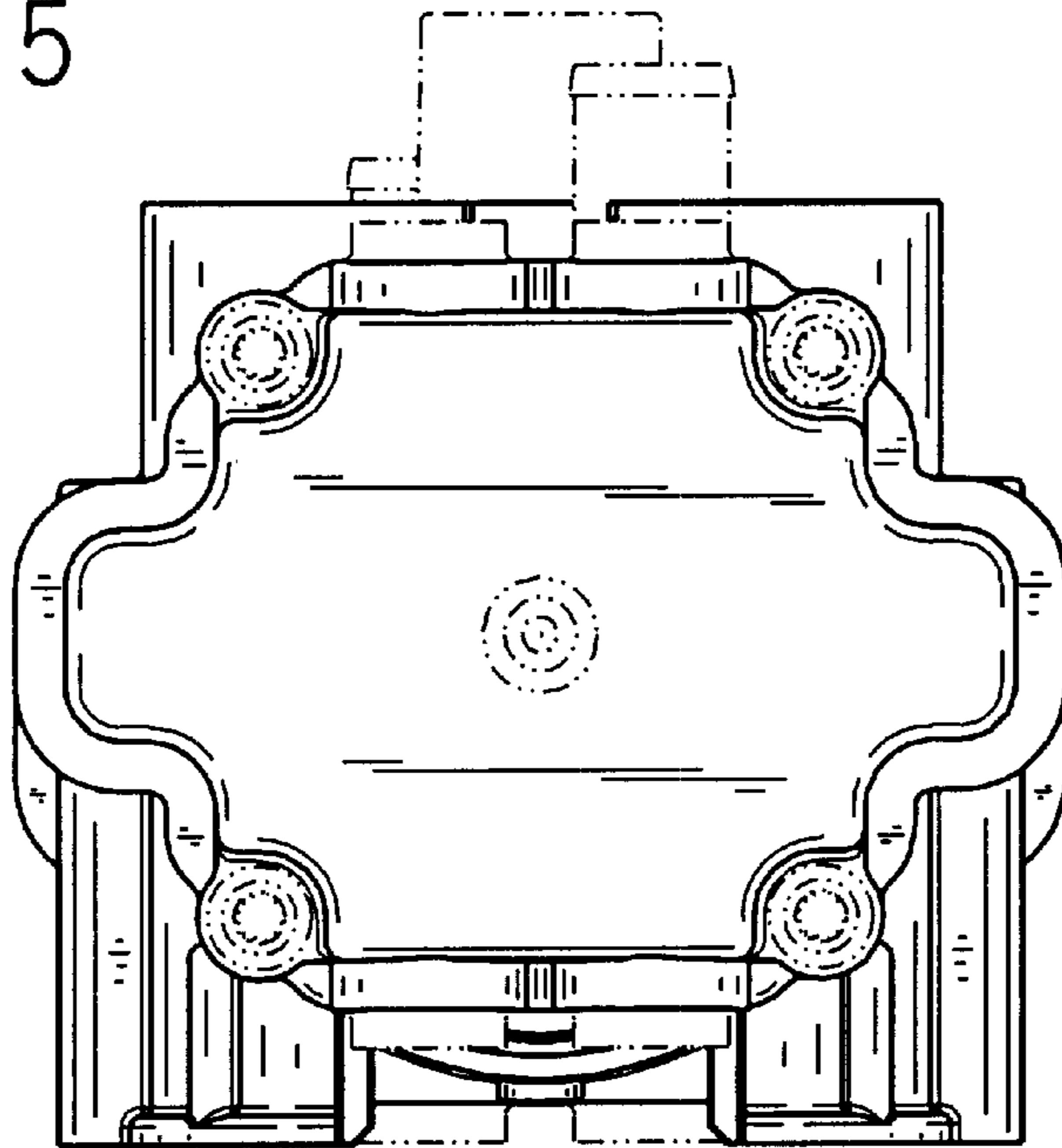


FIG. 6

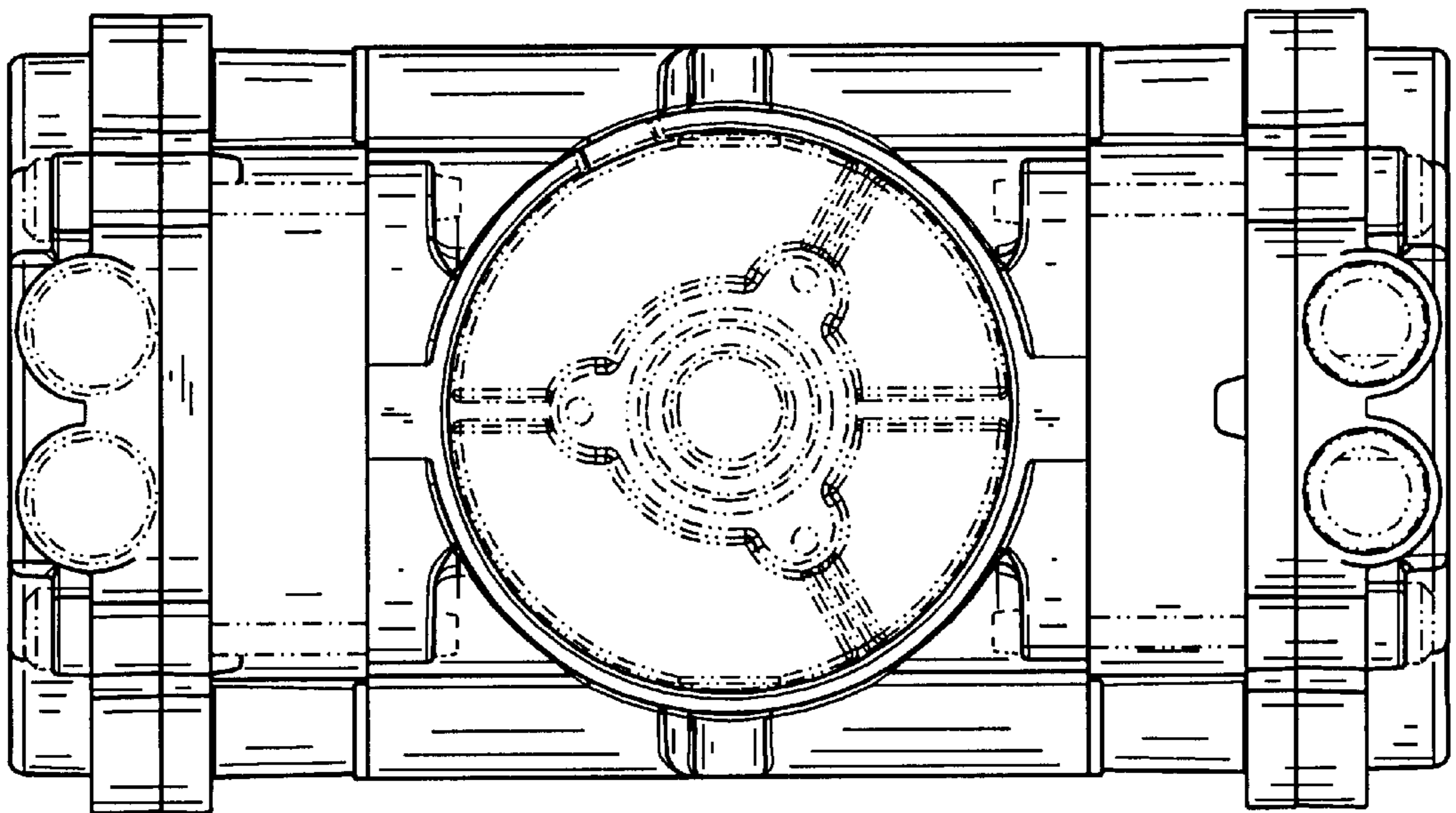


FIG. 7

