



US00D479242S

(12) **United States Design Patent**  
**Kurachi et al.**

(10) **Patent No.:** **US D479,242 S**

(45) **Date of Patent:** **\*\* Sep. 2, 2003**

(54) **OIL DAMPER**

(75) Inventors: **Katsuhito Kurachi**, Aichi-ken (JP);  
**Katsuhiko Taniguchi**, Aichi-ken (JP)

(73) Assignee: **Nifco Inc.**, Yokohama (JP)

(\*\*) Term: **14 Years**

(21) Appl. No.: **29/152,781**

(22) Filed: **Dec. 7, 2001**

(30) **Foreign Application Priority Data**

Jun. 28, 2001 (JP) ..... 2001-018873

(51) **LOC (7) Cl.** ..... **14-99**

(52) **U.S. Cl.** ..... **D14/483**

(58) **Field of Search** ..... D14/474-483,  
D14/496, 299; D8/499; 360/220, 221.1,  
230, 137; 475/92; 188/290, 371, 378, 268;  
381/354; D15/147, 199, 143

(56) **References Cited**

**U.S. PATENT DOCUMENTS**

3,861,503 A \* 1/1975 Nash ..... 188/290  
4,614,004 A \* 9/1986 Oshida ..... 188/290

4,691,811 A \* 9/1987 Arakawa et al. .... 188/290  
4,821,838 A \* 4/1989 Chen ..... 381/354  
5,277,282 A \* 1/1994 Umemura ..... 188/290  
5,718,309 A \* 2/1998 Kariya ..... 188/290  
6,298,960 B1 \* 10/2001 Derr ..... 188/290

\* cited by examiner

*Primary Examiner*—Prabhakar Deshmukh

(74) *Attorney, Agent, or Firm*—Kanesaka & Takeuchi

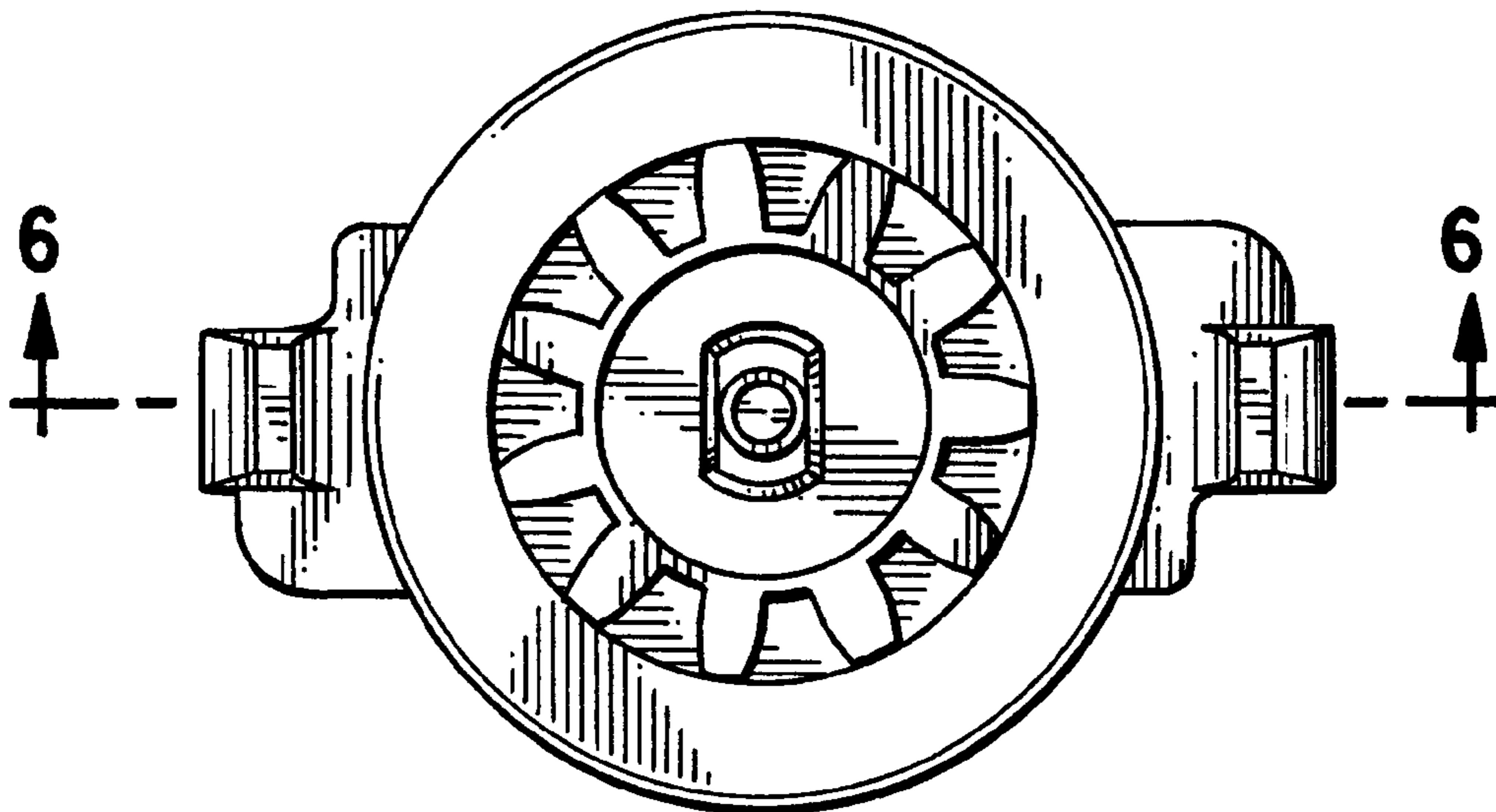
(57) **CLAIM**

The ornamental design for an oil damper, as shown and described.

**DESCRIPTION**

FIG. 1 is a top plan view of an oil damper showing our new design;  
FIG. 2 is a front view thereof, the rear view being symmetrical to the front view;  
FIG. 3 is a bottom plan view thereof;  
FIG. 4 is a right view thereof;  
FIG. 5 is a left side view thereof; and,  
FIG. 6 is a cross sectional view taken along line 6—6 in FIG. 1.

**1 Claim, 2 Drawing Sheets**



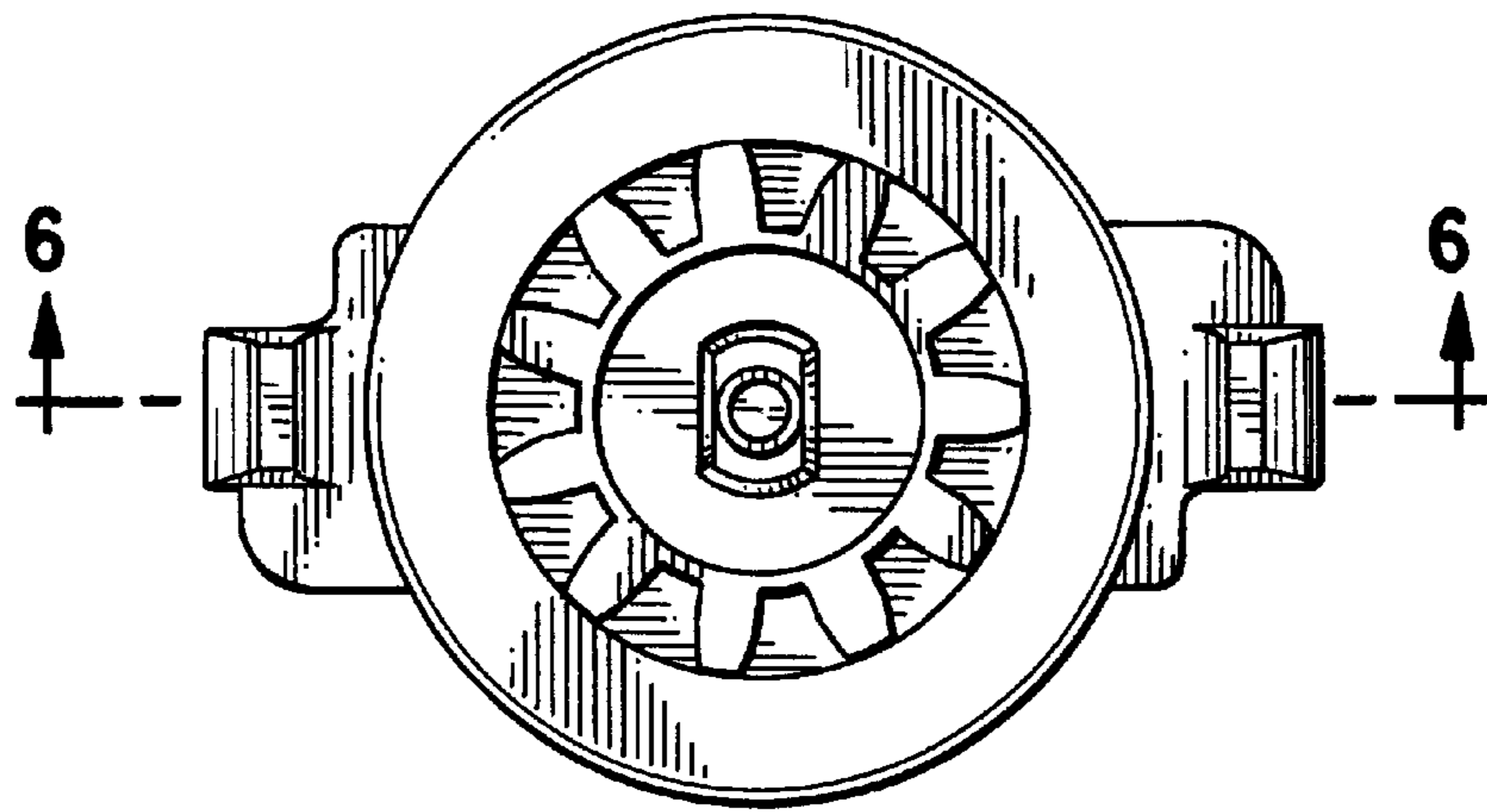


FIG. 1

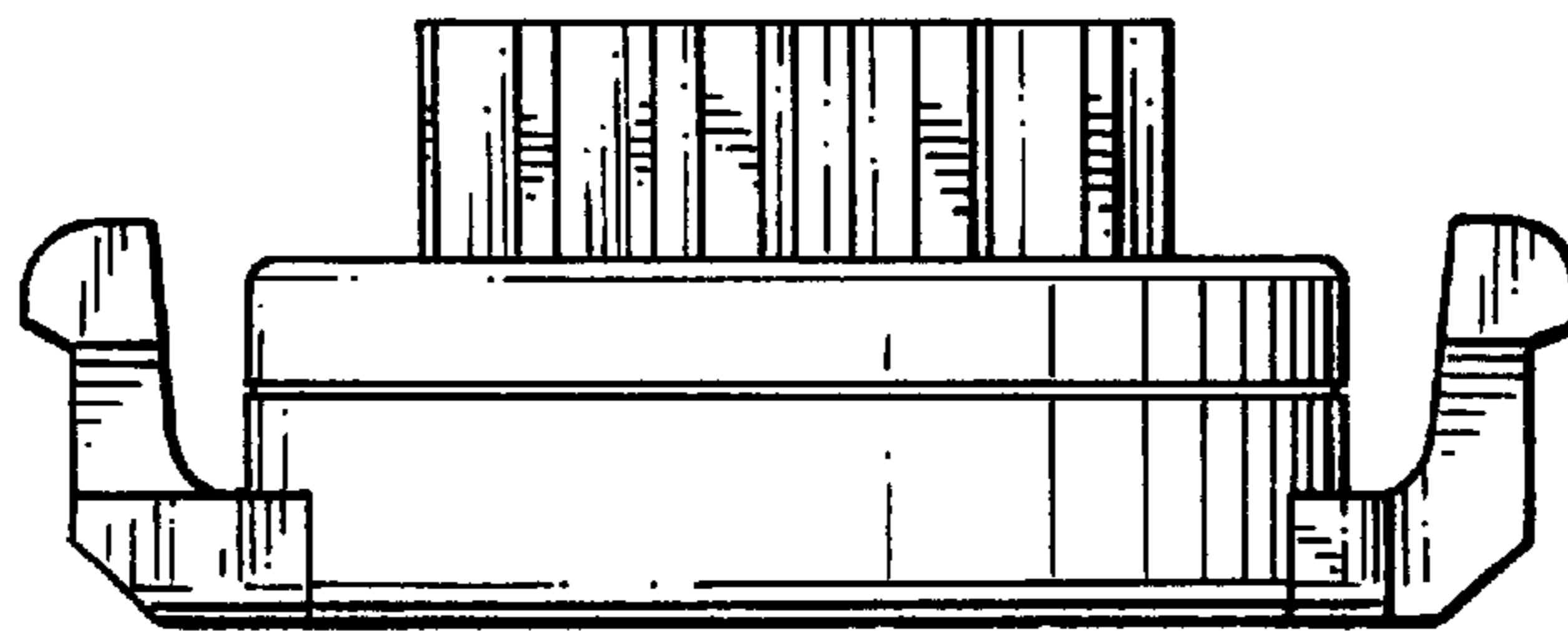


FIG. 2

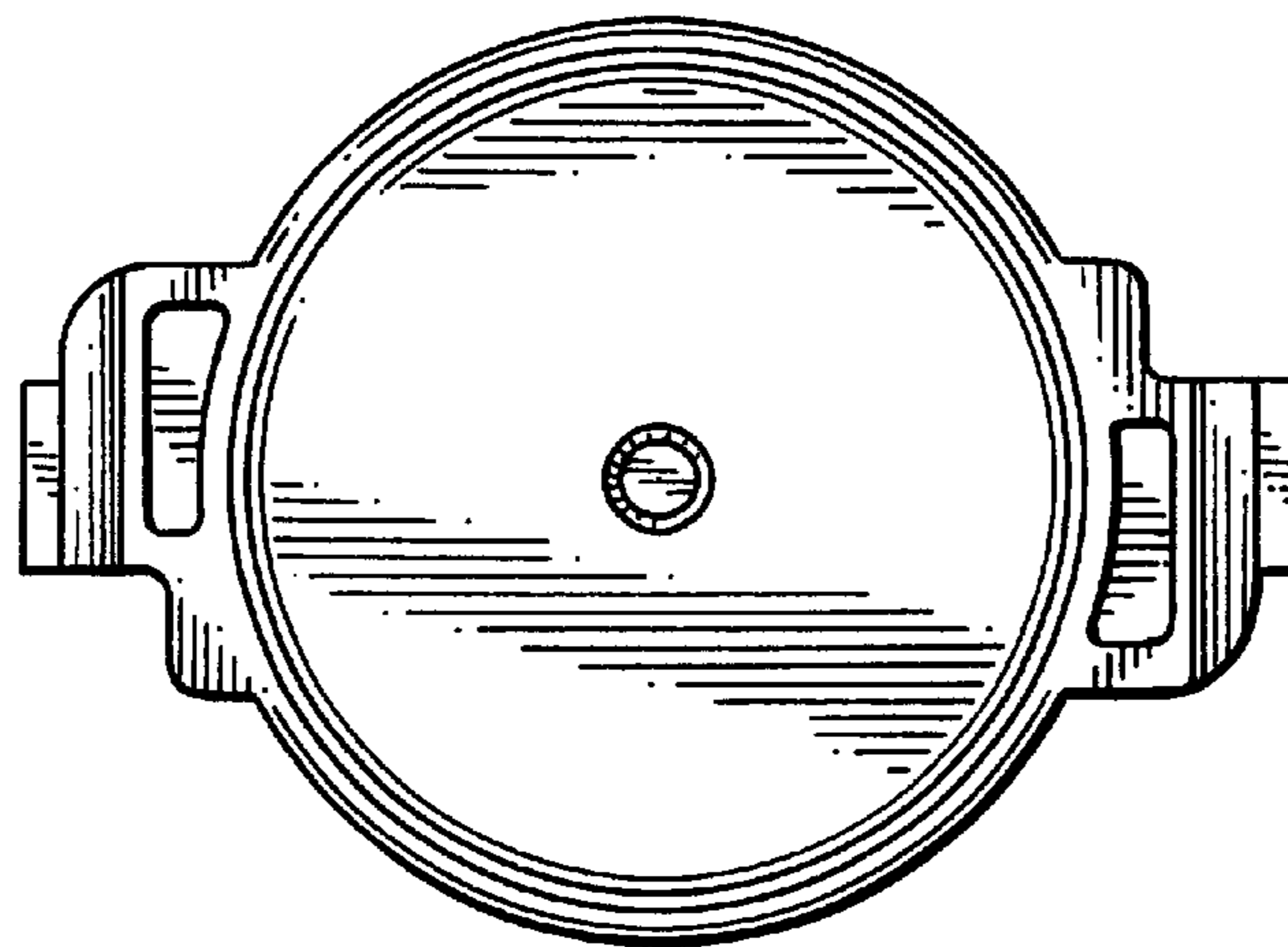


FIG. 3

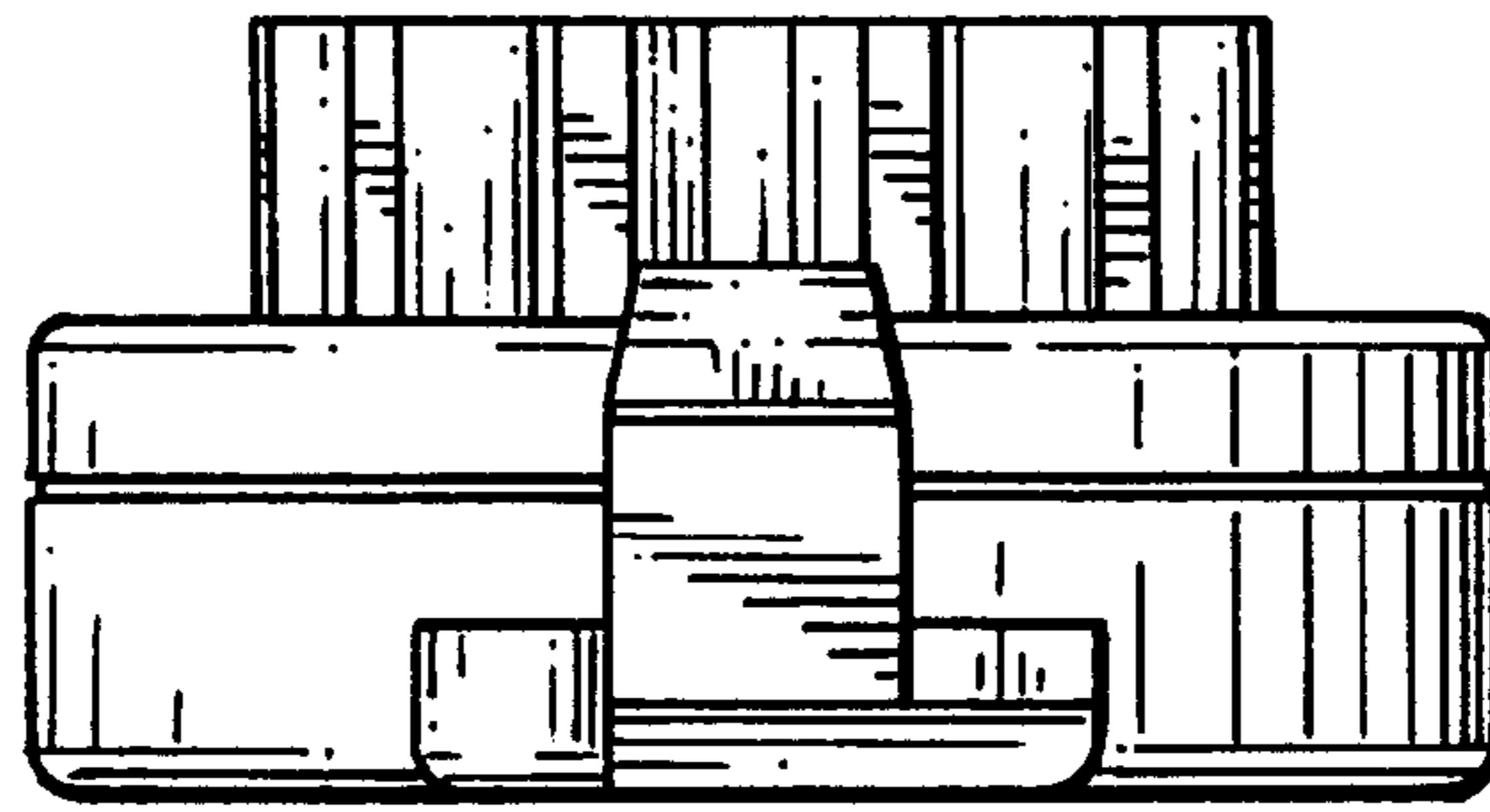


FIG. 4



FIG. 5

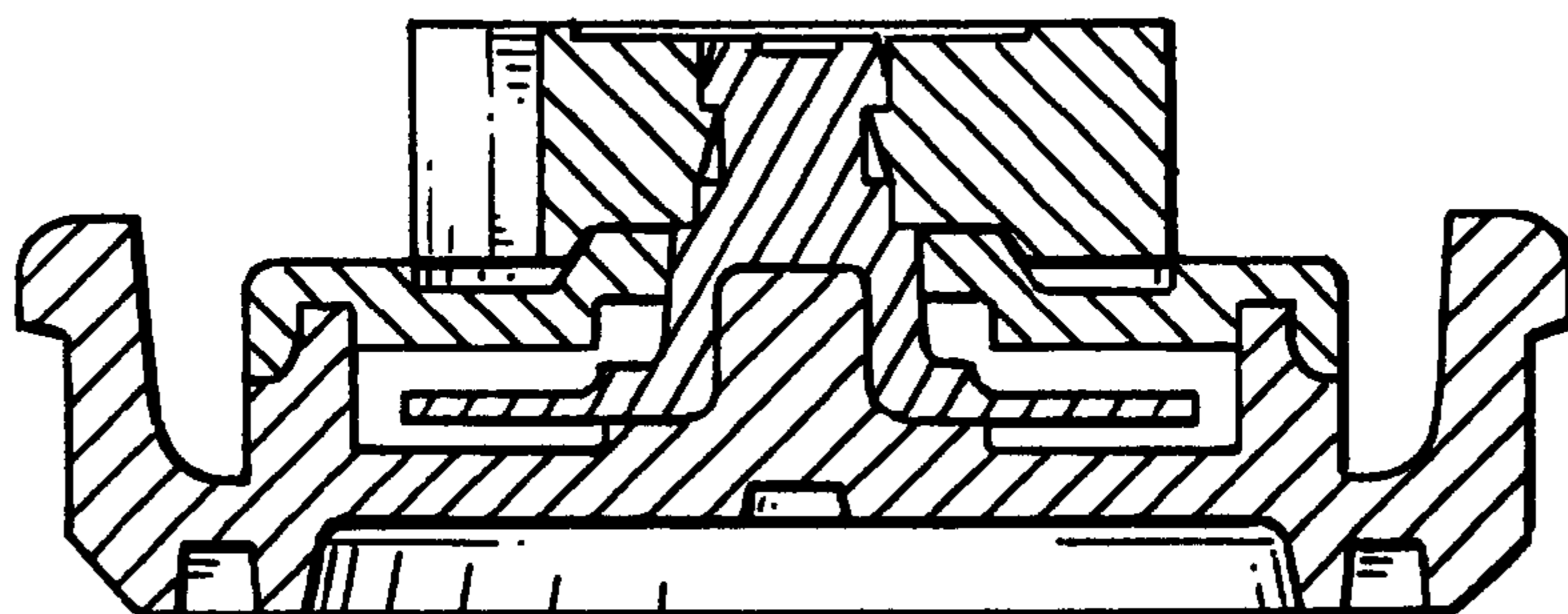


FIG. 6