



US00D479239S

(12) **United States Design Patent**
Faust et al.

(10) **Patent No.:** **US D479,239 S**

(45) **Date of Patent:** **** Sep. 2, 2003**

(54) **JOYSTICK**

(75) Inventors: **John Faust**, Burlingame, CA (US);
Fred Swan, Castro Valley, CA (US);
Urs Boesiger, Fremont, CA (US); **Ming Yu**,
Taipei (TW); **Andrew Yuen**, Taipei (TW);
Symon Whitehorn, San Francisco, CA (US);
George Janour, San Francisco, CA (US)

(73) Assignee: **Logitech Europe S.A.** (CH)

(**) Term: **14 Years**

(21) Appl. No.: **29/161,158**

(22) Filed: **May 21, 2002**

(51) **LOC (7) Cl.** **14-02**

(52) **U.S. Cl.** **D14/415**

(58) **Field of Search** D14/412-416,
D14/400, 401; D21/324, 333; 273/148 B;
463/1, 30, 36-38, 46, 47; 345/156-161

(56) **References Cited**

U.S. PATENT DOCUMENTS

4,491,325 A * 1/1985 Bersheim 436/38
4,658,666 A * 4/1987 Liu 463/38

D333,848 S * 3/1993 Tse D14/415
5,749,577 A * 5/1998 Couch et al. 273/148 B
5,786,807 A * 7/1998 Couch et al. 345/161
D396,899 S * 8/1998 Kaneko et al. D14/415
D421,038 S * 2/2000 Hisatsune D14/415
D441,366 S * 5/2001 Alviar et al. D14/412
D441,367 S * 5/2001 Alviar et al. D14/412
D444,785 S * 7/2001 Whitehorn et al. D14/412

* cited by examiner

Primary Examiner—Prabhakar Deshmukh

(74) *Attorney, Agent, or Firm*—Townsend and Townsend
and Crew LLP

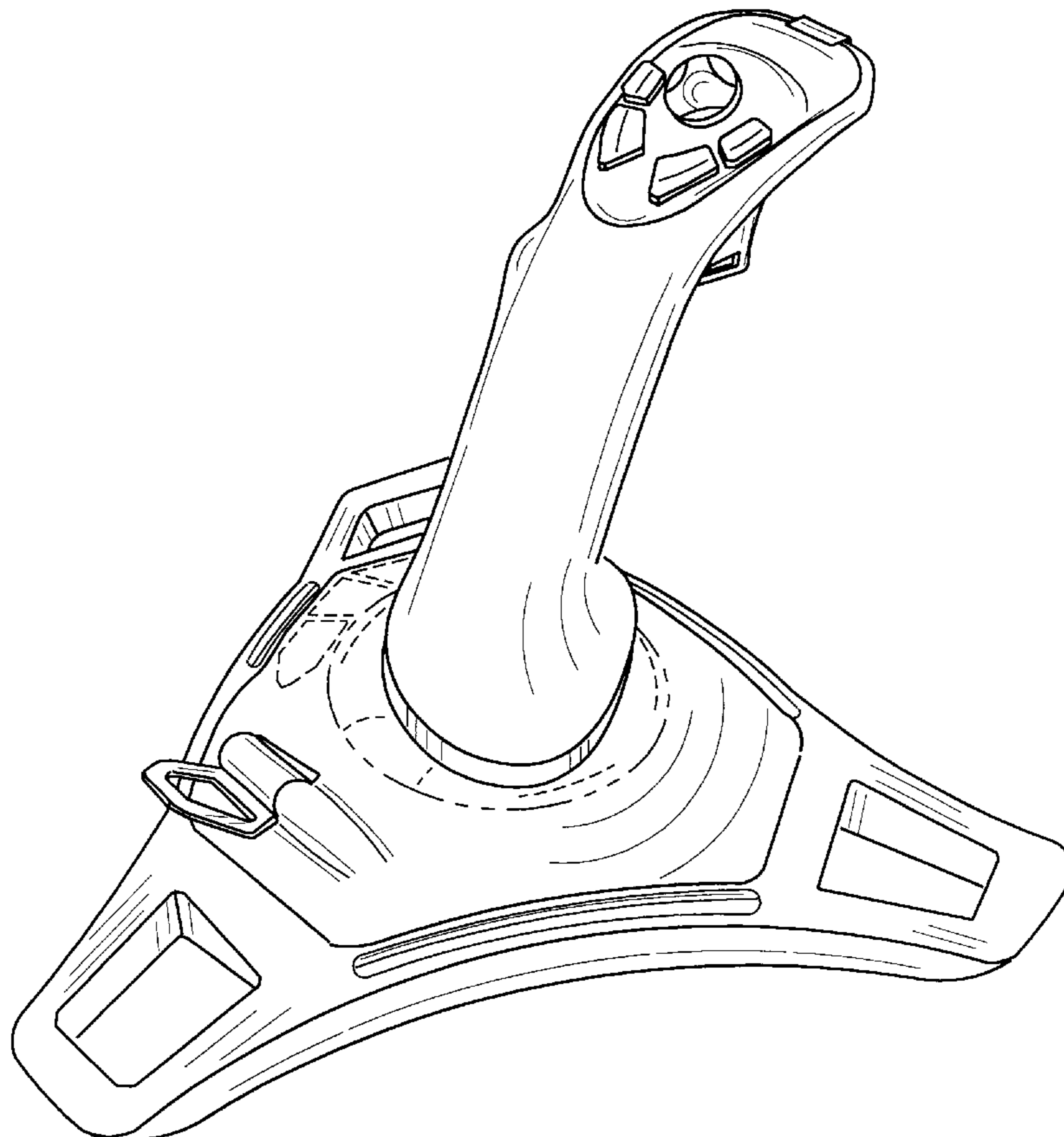
(57) **CLAIM**

The ornamental design for joystick, as shown and described.

DESCRIPTION

FIG. 1 is a perspective view of a joystick showing our new design;
FIG. 2 is another perspective view thereof;
FIG. 3 is a top plan view thereof;
FIG. 4 is a right side elevational view thereof; and,
FIG. 5 is a left side elevational view thereof.
The broken lines are for illustrative purpose only and forms
no part of the claimed design.

1 Claim, 4 Drawing Sheets



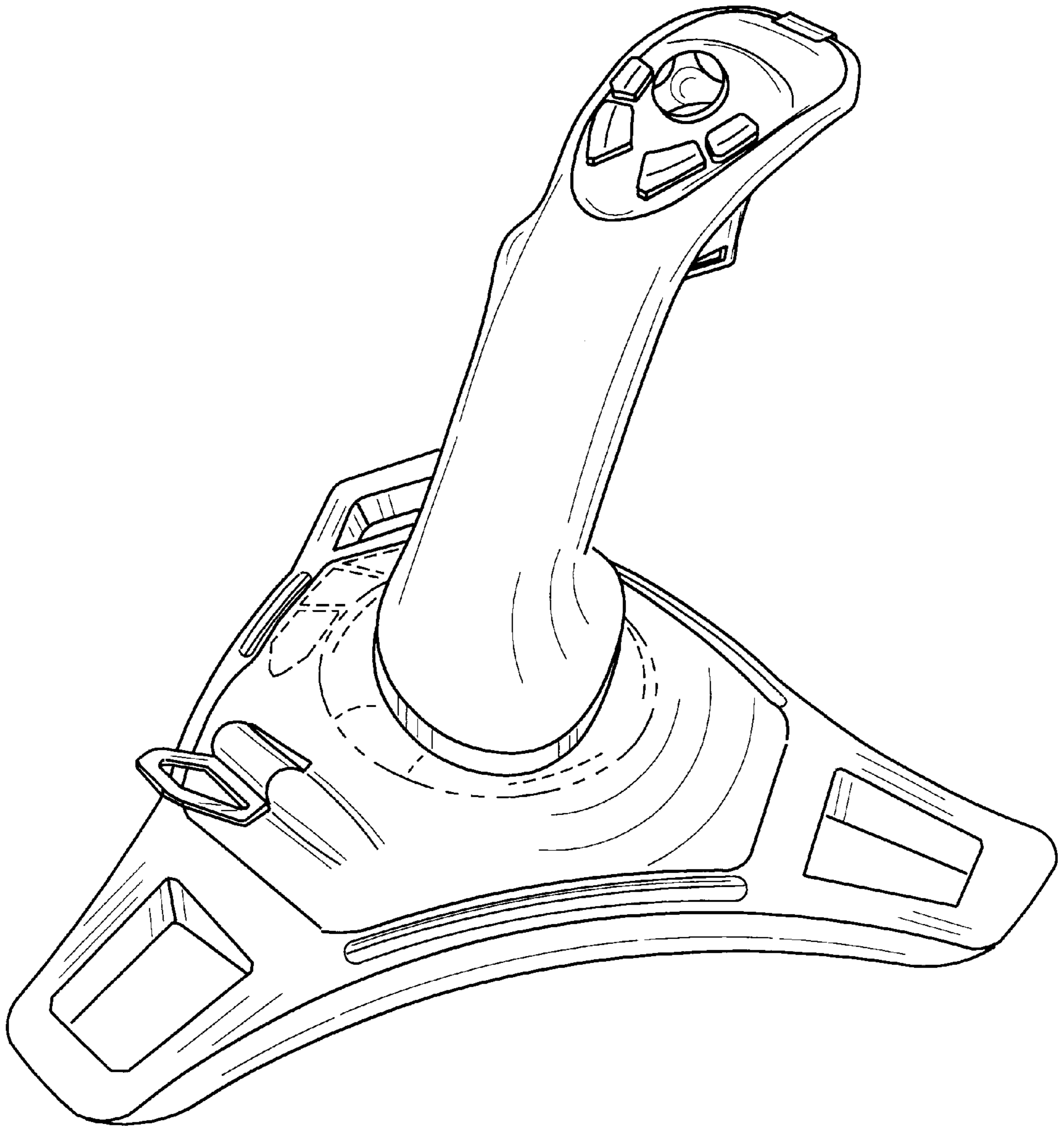


FIG. 1

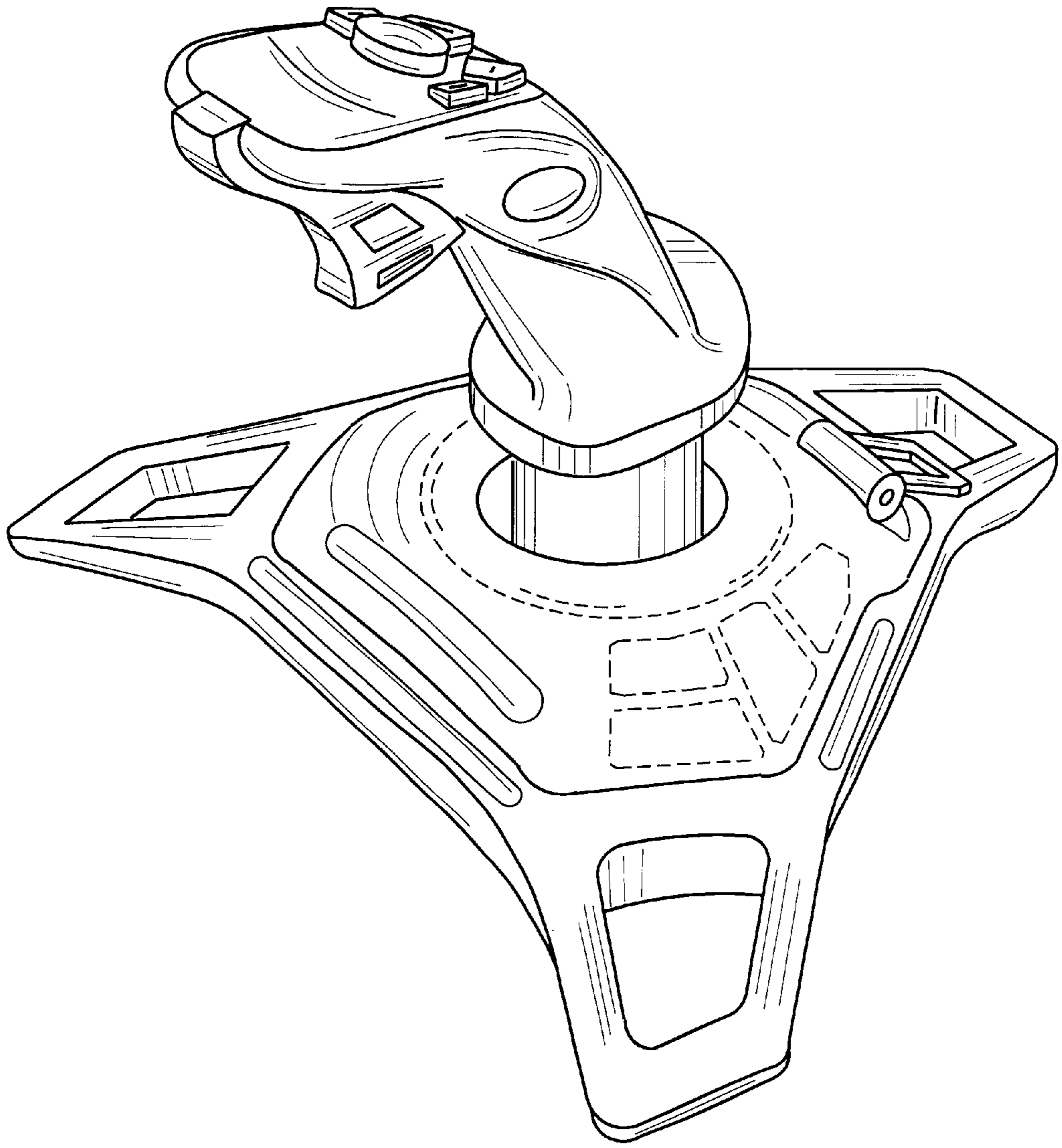


FIG. 2

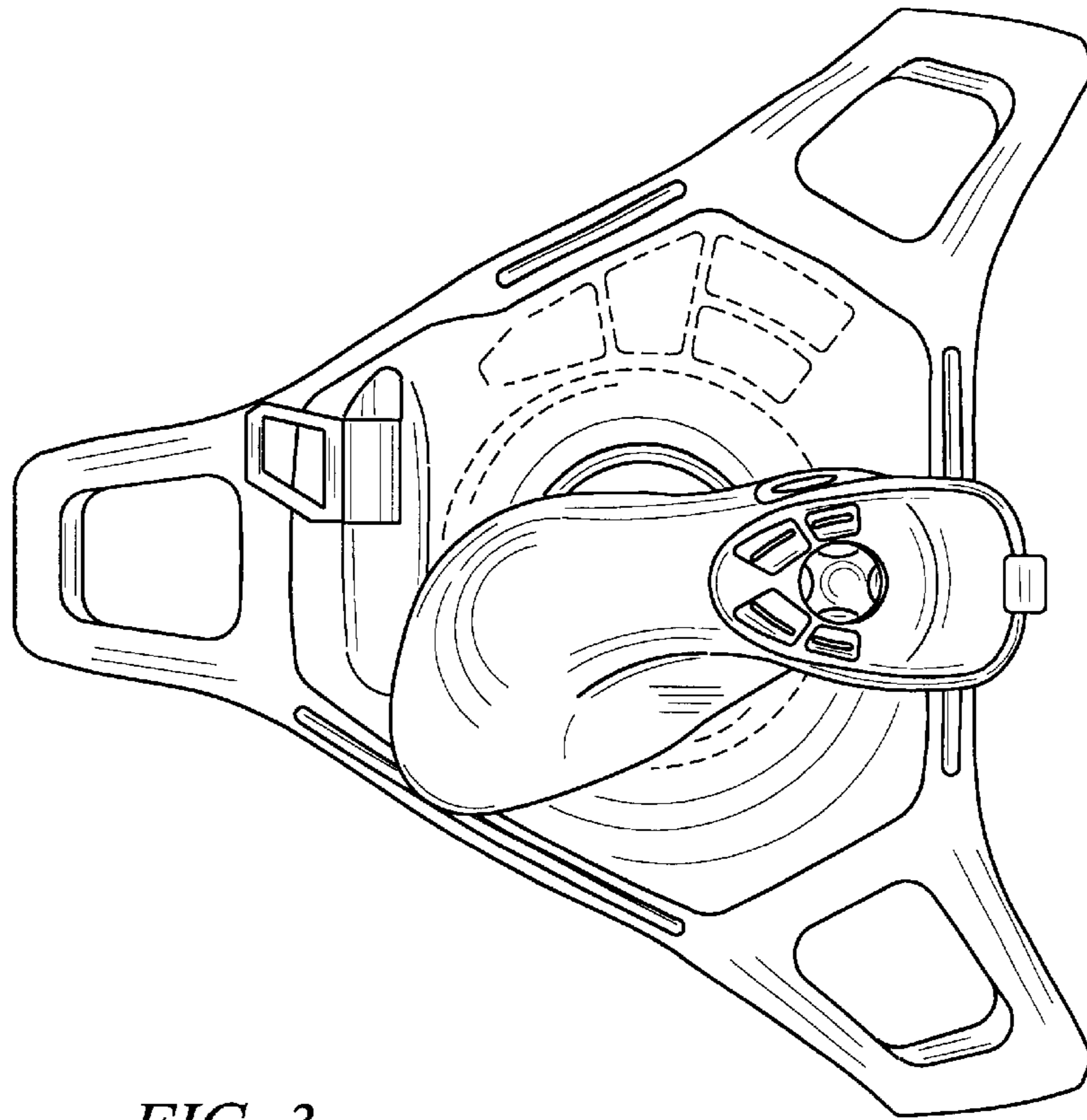


FIG. 3

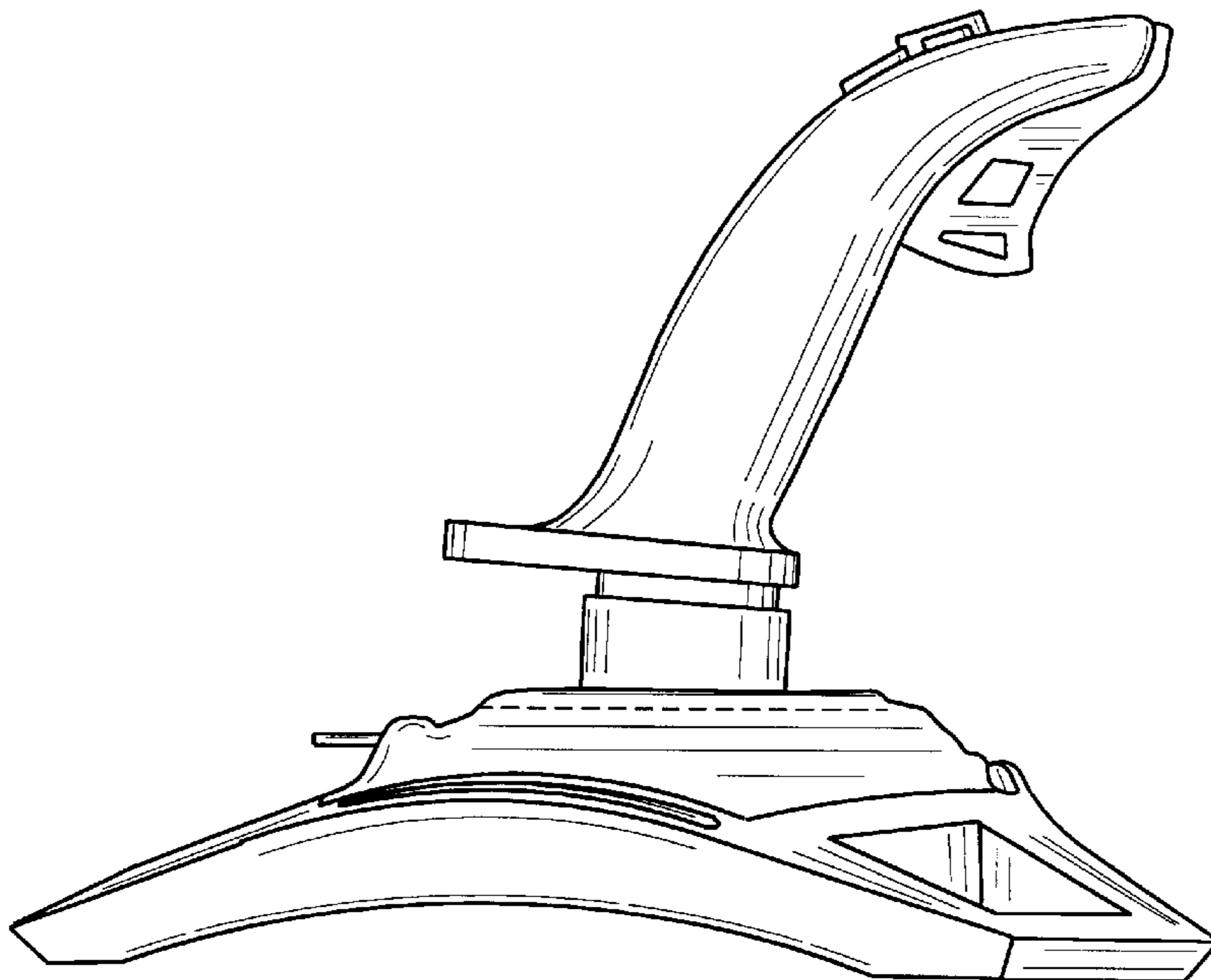


FIG. 4

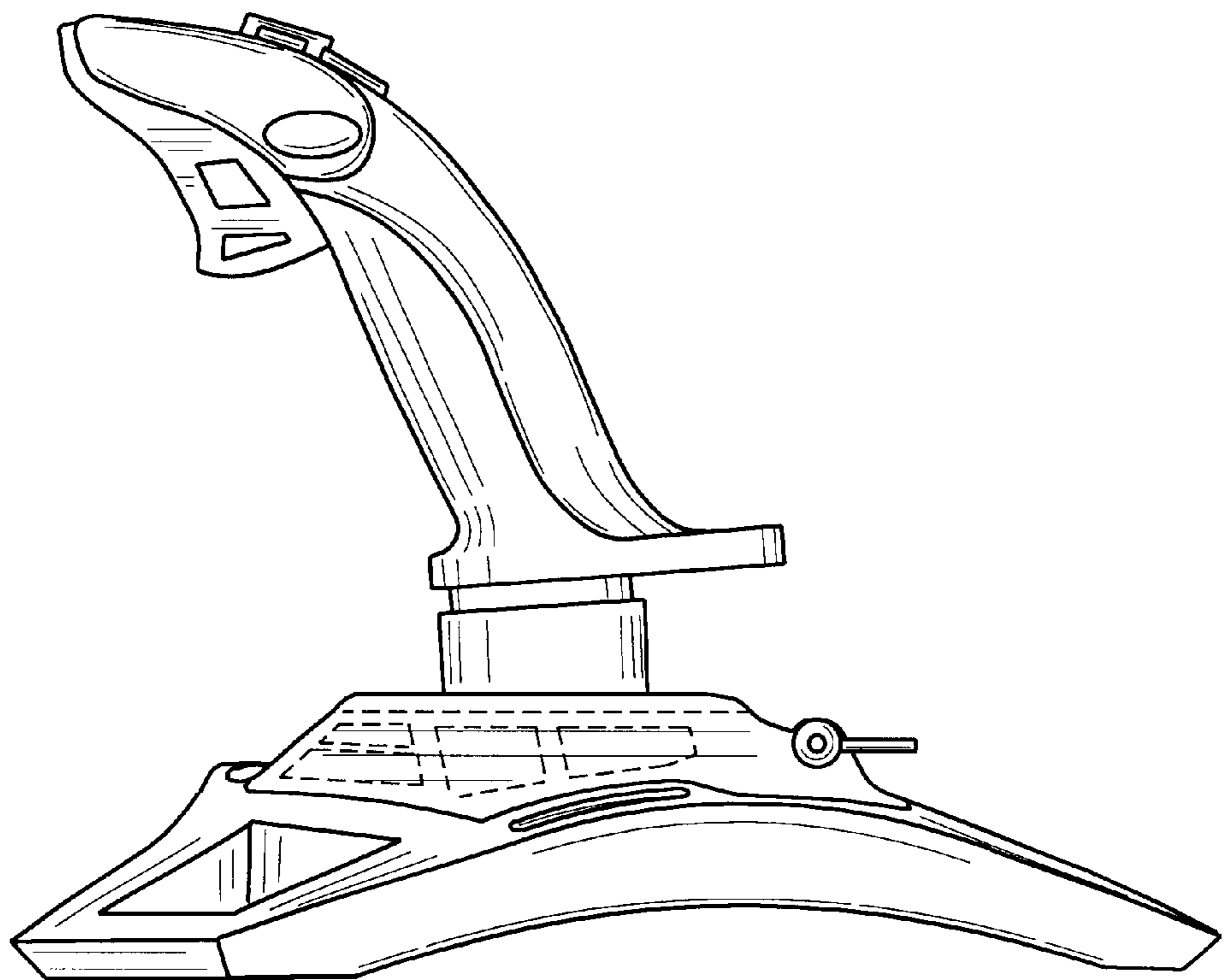


FIG. 5