



US00D479238S

(12) **United States Design Patent**
Brown

(10) **Patent No.:** **US D479,238 S**

(45) **Date of Patent:** **** Sep. 2, 2003**

(54) **CONTROL PAD**

(75) **Inventor:** **Stephen G. Brown**, Vancouver, WA
(US)

(73) **Assignee:** **PolyVision Corporation**, Norcross, GA
(US)

(**) **Term:** **14 Years**

(21) **Appl. No.:** **29/158,862**

(22) **Filed:** **Apr. 11, 2002**

(51) **LOC (7) Cl.** **14-02**

(52) **U.S. Cl.** **D14/388; D14/357; D14/358;**
D16/235

(58) **Field of Search** D14/357-359,
D14/388, 496, 356, 130, 242; D16/221,
225, 235, 237, 250, 231; 353/119, 122

(56) **References Cited**

U.S. PATENT DOCUMENTS

D359,042 S * 6/1995 Tamura D14/130

D363,722 S * 10/1995 Aldridge et al. D14/242

D390,838 S * 2/1998 Takeuchi et al. D16/221

D418,126 S * 12/1999 Gunby D14/388

D454,873 S * 3/2002 Clark et al. D14/358

* cited by examiner

Primary Examiner—Freda Nunn

(74) *Attorney, Agent, or Firm*—Troutman Sanders LLP;
Ryan A. Schneider, Esq.

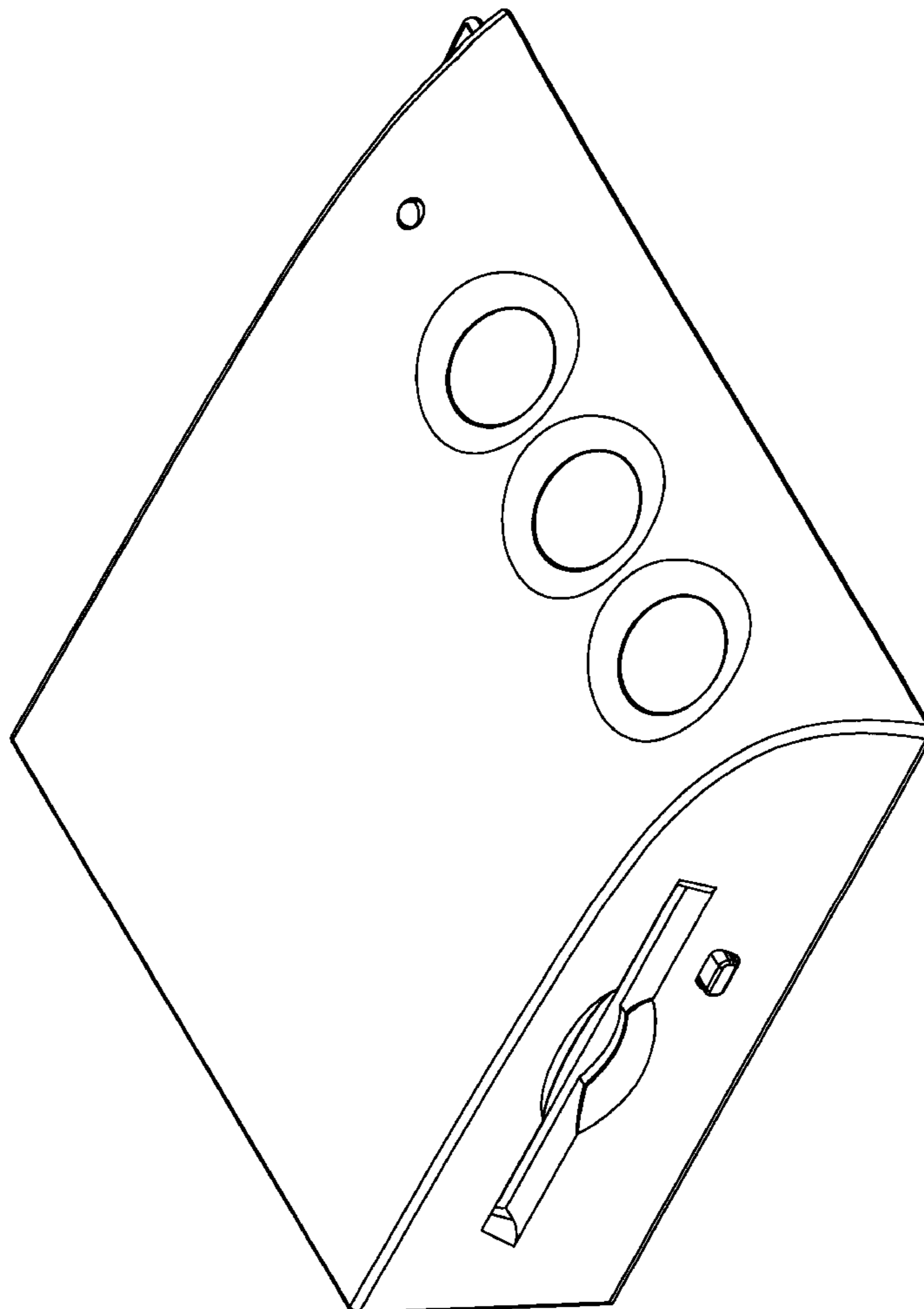
(57) **CLAIM**

The ornamental design for a control pad, as shown and described.

DESCRIPTION

FIG. 1 is a perspective of the control pad.
FIG. 2 is a top view of the control pad.
FIG. 3 is a front view of the control pad.
FIG. 4 is a right side view of the control pad.
FIG. 5 is a left side view of the control pad.
FIG. 6 is a back view of the control pad; and,
FIG. 7 is a bottom view of the control pad.

1 Claim, 7 Drawing Sheets



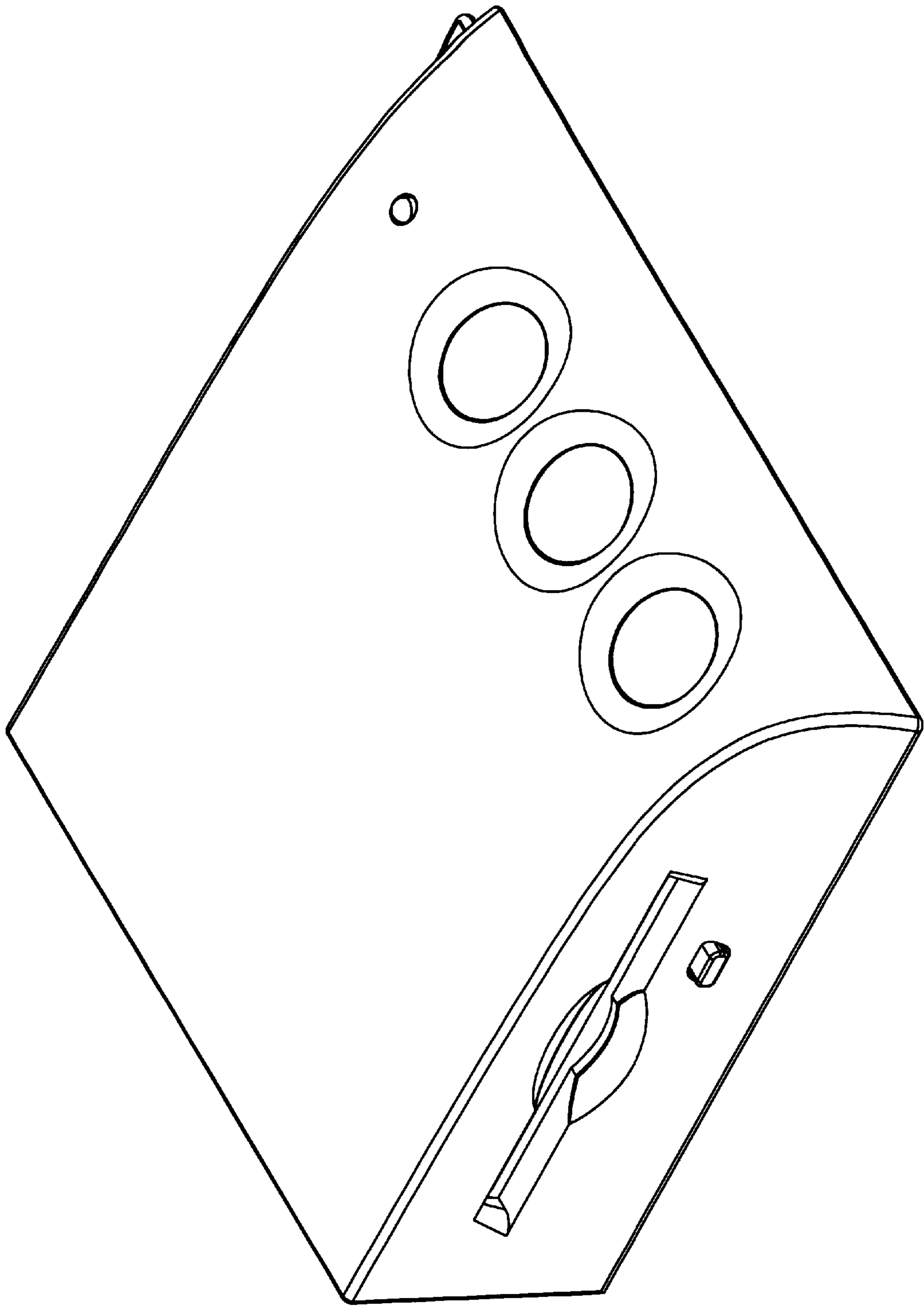


FIG. 1

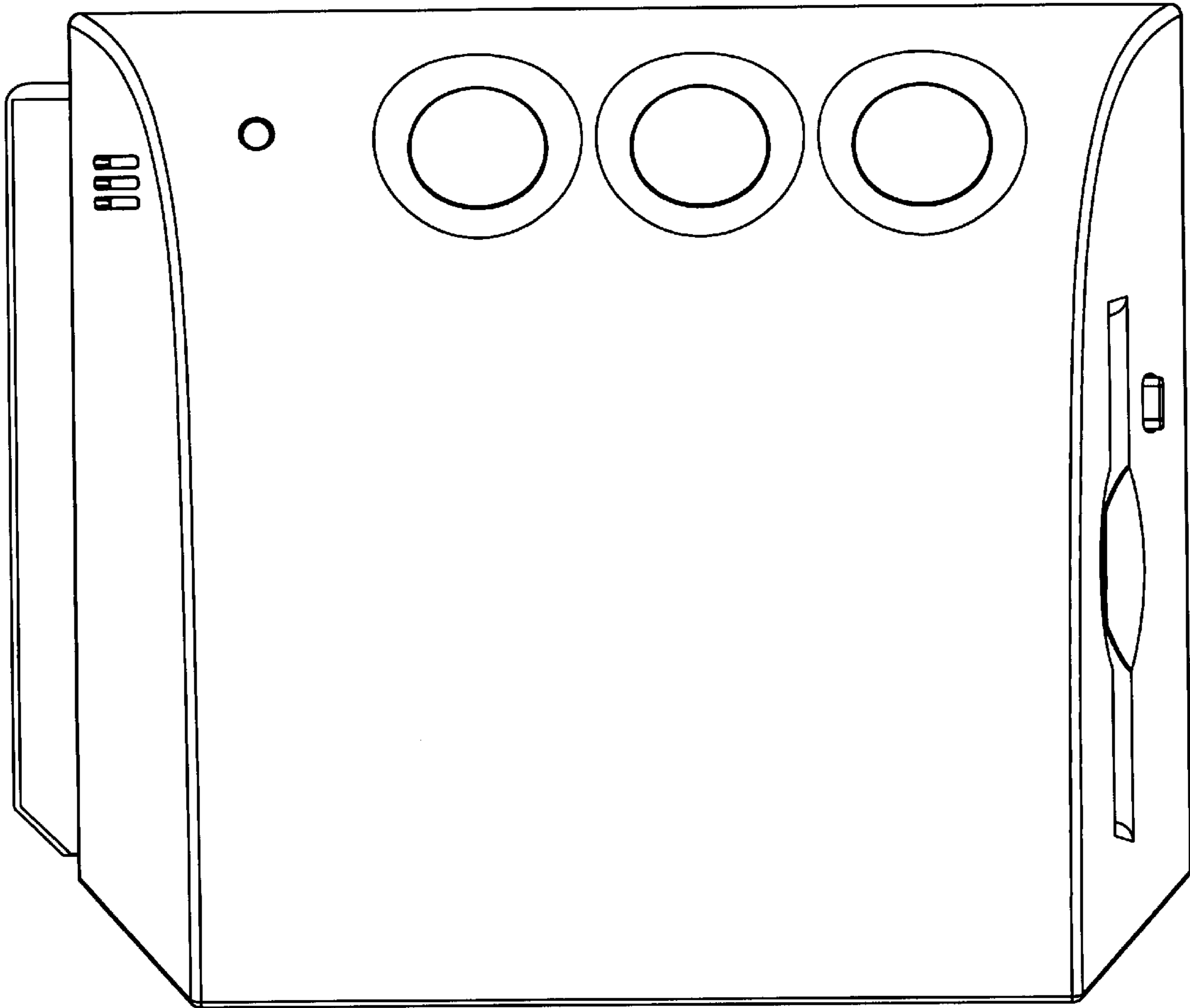


FIG. 2

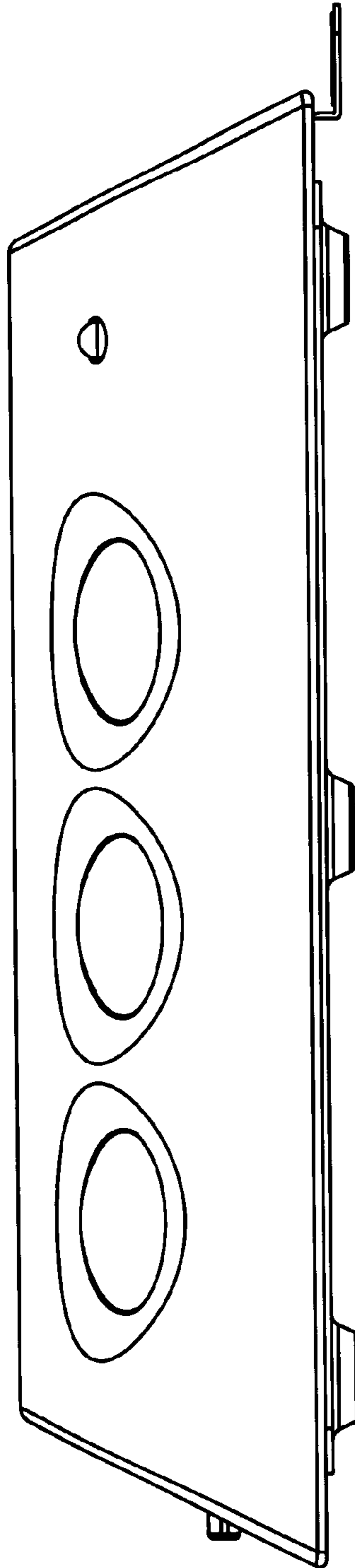


FIG. 3

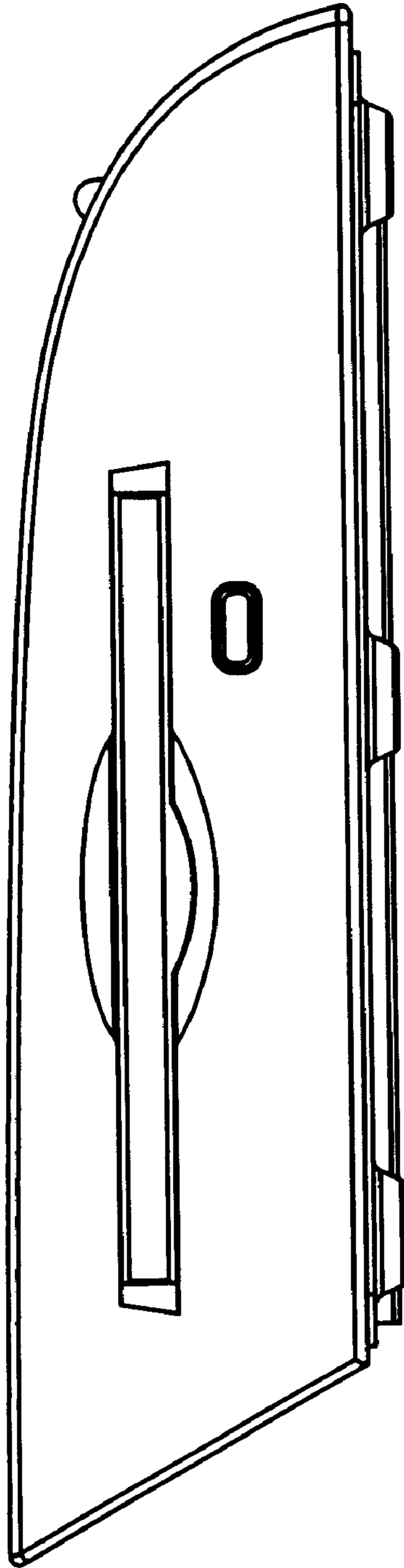


FIG. 4

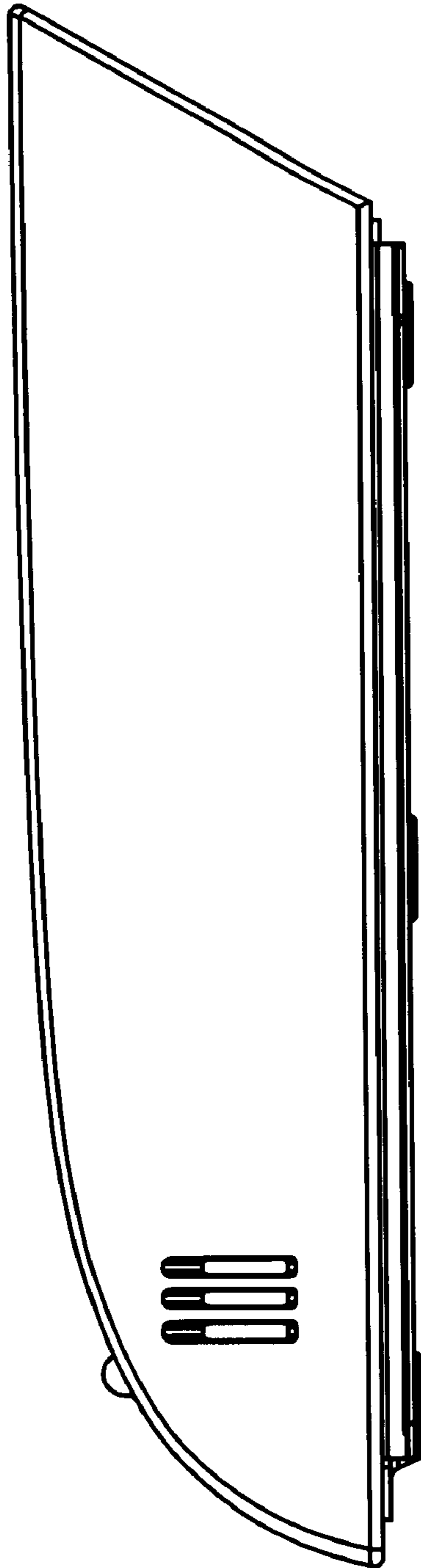


FIG. 5

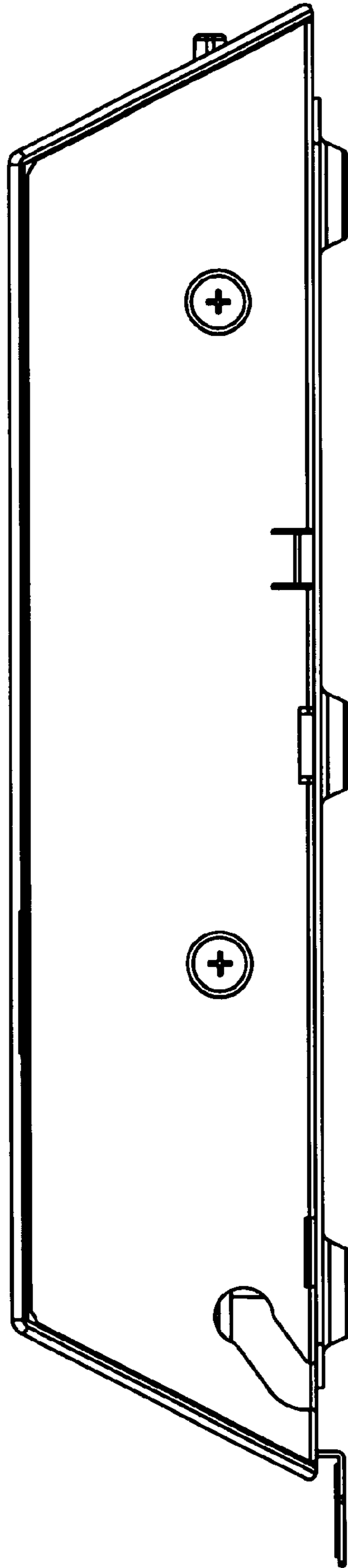


FIG. 6

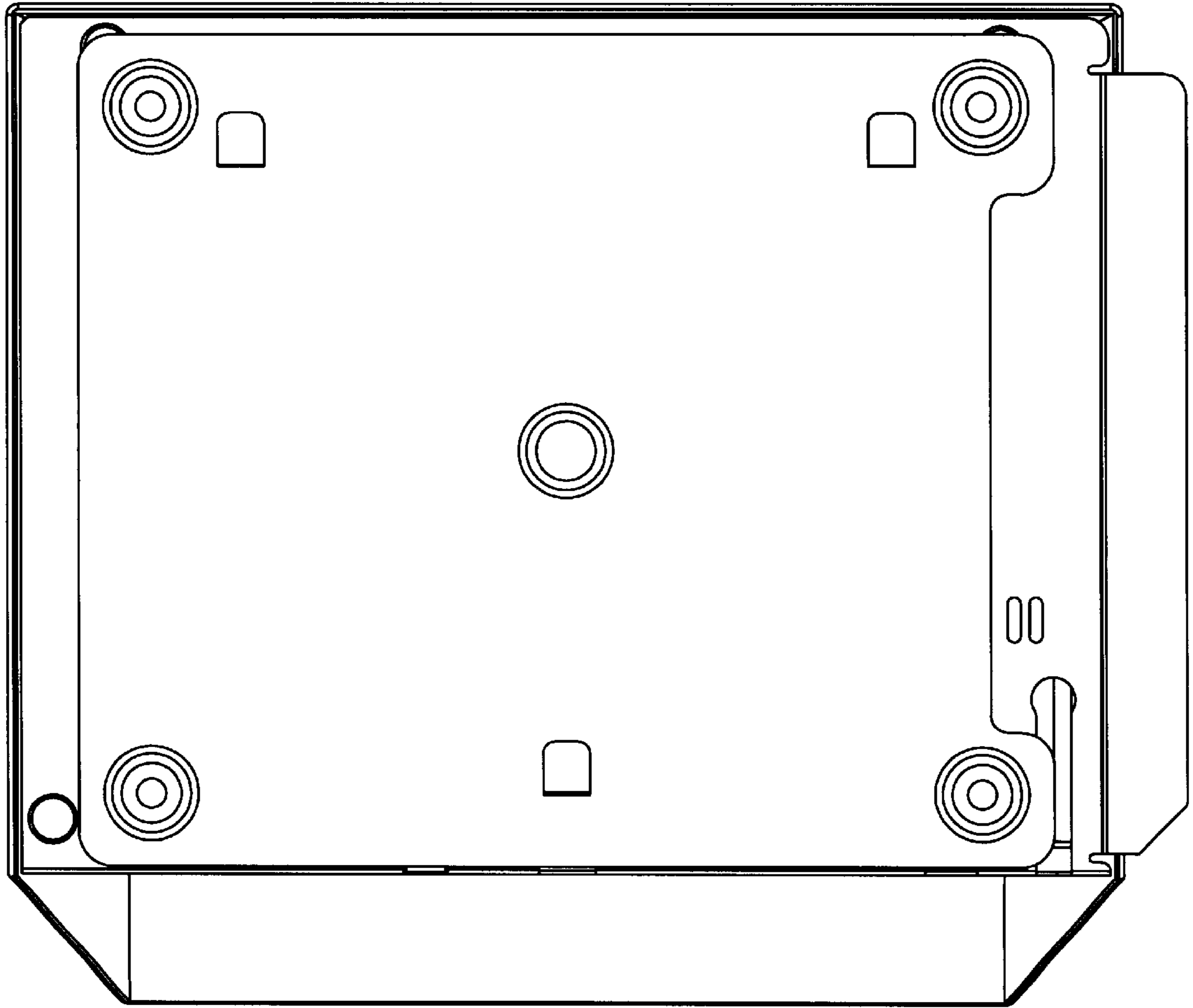


FIG. 7