



US00D479237S

(12) **United States Design Patent**
Juan

(10) **Patent No.:** **US D479,237 S**

(45) **Date of Patent:** **** Sep. 2, 2003**

(54) **MONITOR**

D458,257 S * 6/2002 Rosen et al. D14/375
D458,910 S * 6/2002 Kita D14/126

(75) Inventor: **Sheng-Te Juan, Chung-Ho (TW)**

* cited by examiner

(73) Assignee: **Golana Technology Corp., Chung-Ho (TW)**

Primary Examiner—Freda Nunn
(74) *Attorney, Agent, or Firm*—Birch, Stewart, Kolasch & Birch, LLP

(**) Term: **14 Years**

(57) **CLAIM**

(21) Appl. No.: **29/164,951**

The ornamental design for a monitor, as shown and described.

(22) Filed: **Aug. 5, 2002**

(51) **LOC (7) Cl.** **14-02**

DESCRIPTION

(52) **U.S. Cl.** **D14/375**

(58) **Field of Search** D14/371, 374-376,
D14/125-129, 336, 337; D18/4.5; 248/917-924,
124.1, 183.3, 184.1; 345/104, 156, 168,
173; 348/180, 184, 325, 739, 838; 349/1,
2, 11, 62; 708/272

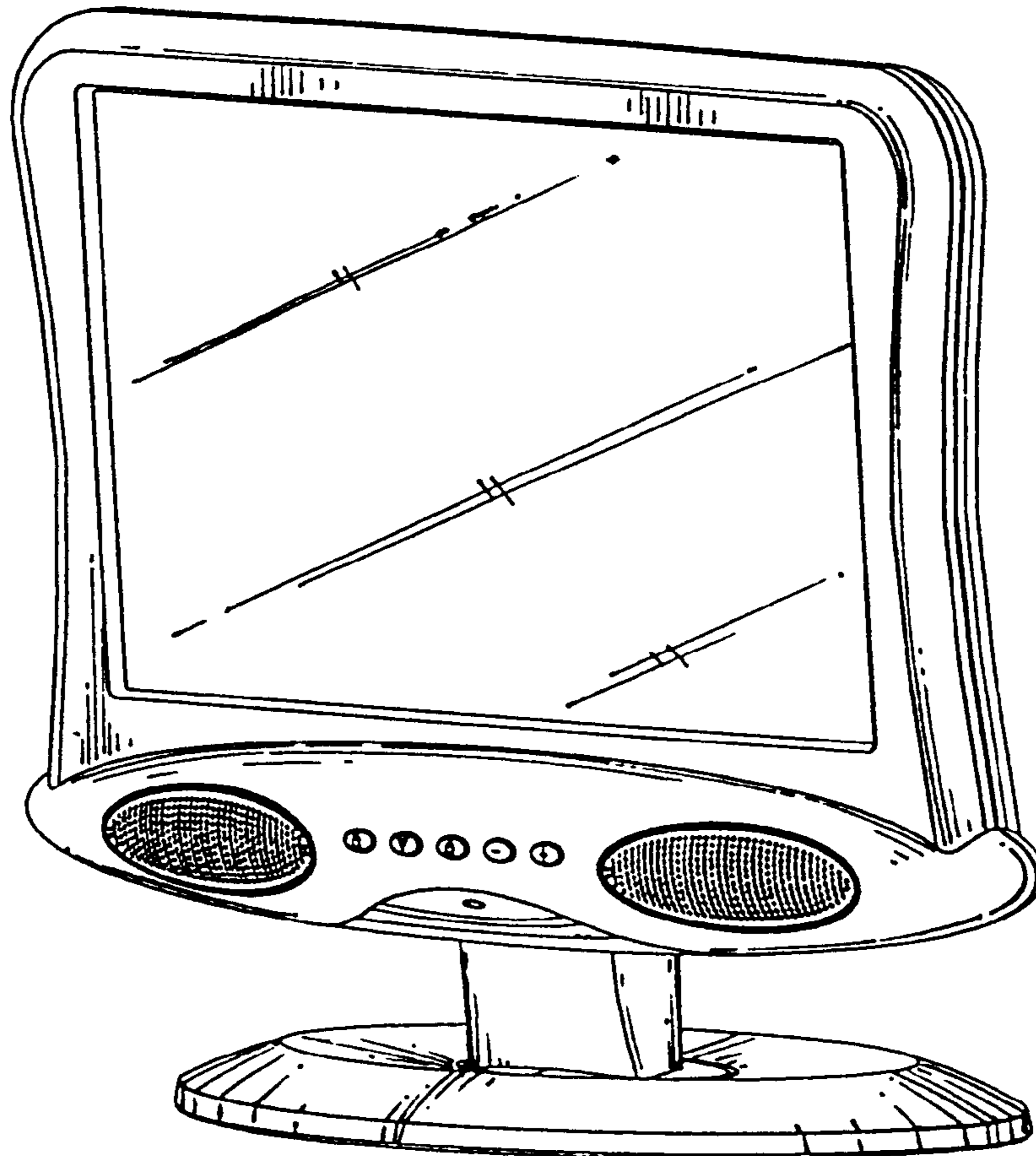
FIG. 1 is a perspective view of a monitor showing my new design;
FIG. 2 is a front elevation view thereof;
FIG. 3 is a rear elevation view thereof;
FIG. 4 is a left side elevation view thereof;
FIG. 5 is a right side elevation view thereof;
FIG. 6 is a top plan view thereof; and,
FIG. 7 is a bottom plan view thereof.

(56) **References Cited**

U.S. PATENT DOCUMENTS

D453,747 S * 2/2002 Kita D14/126

1 Claim, 4 Drawing Sheets



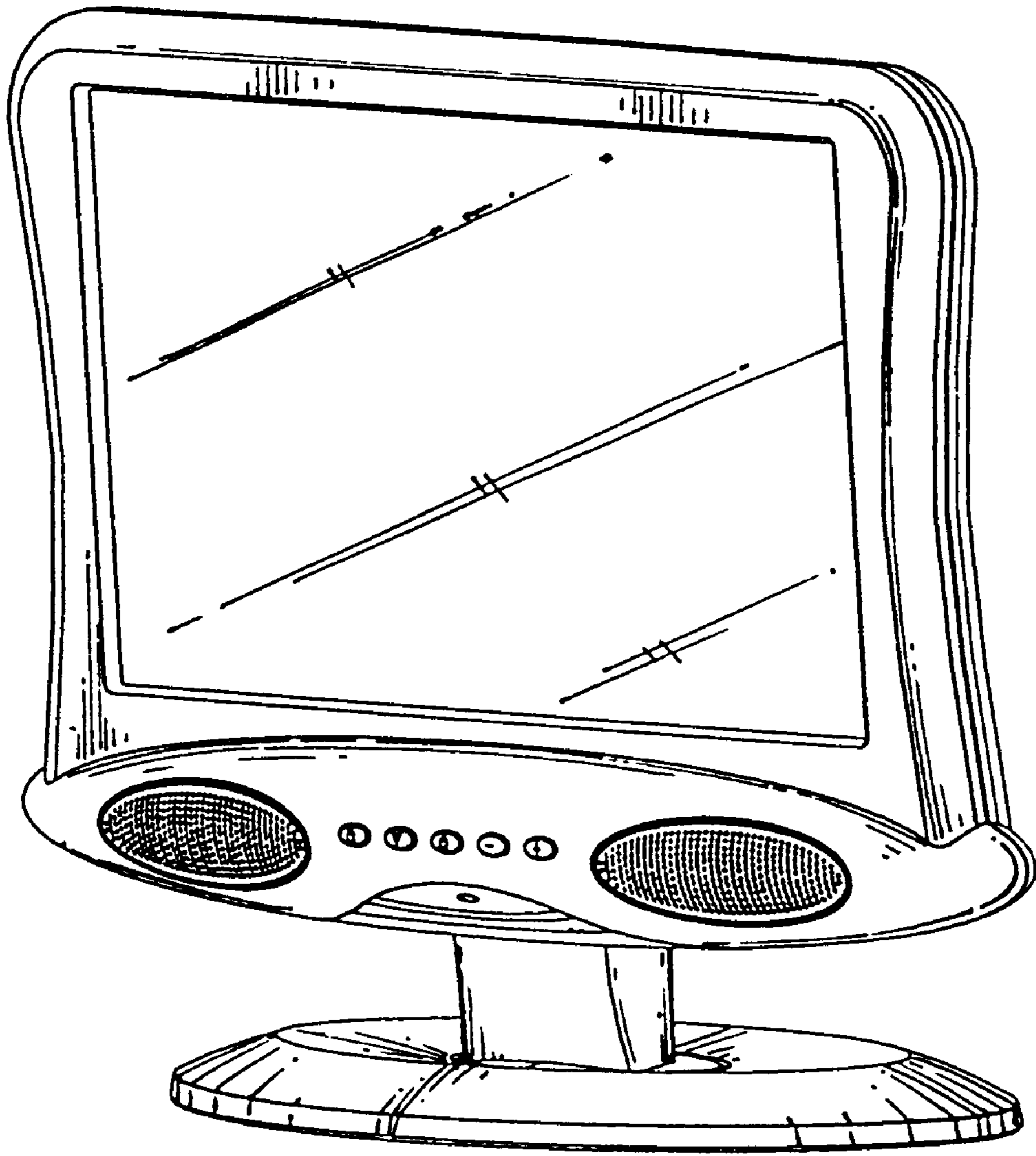


Fig.1

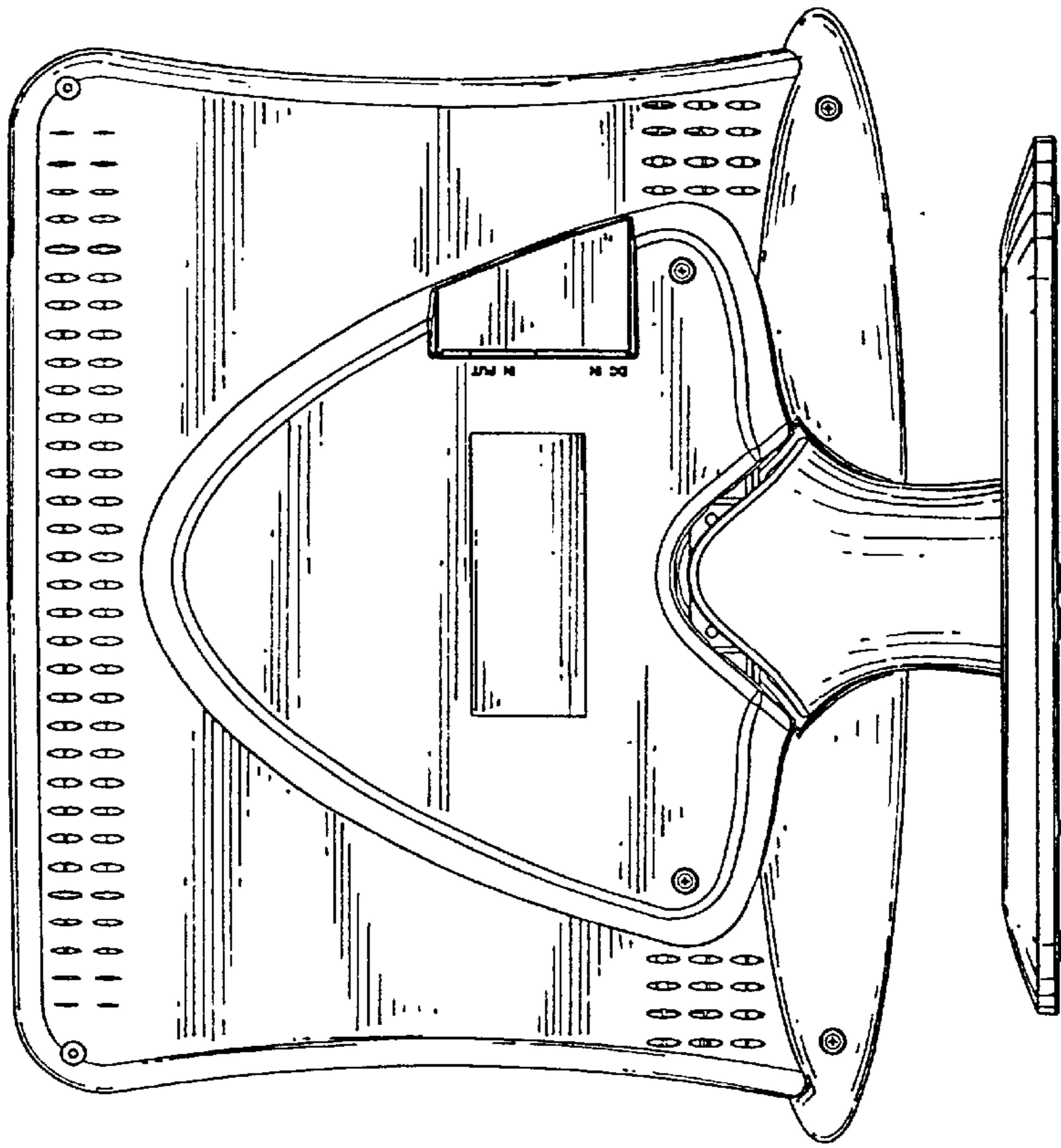


Fig.3

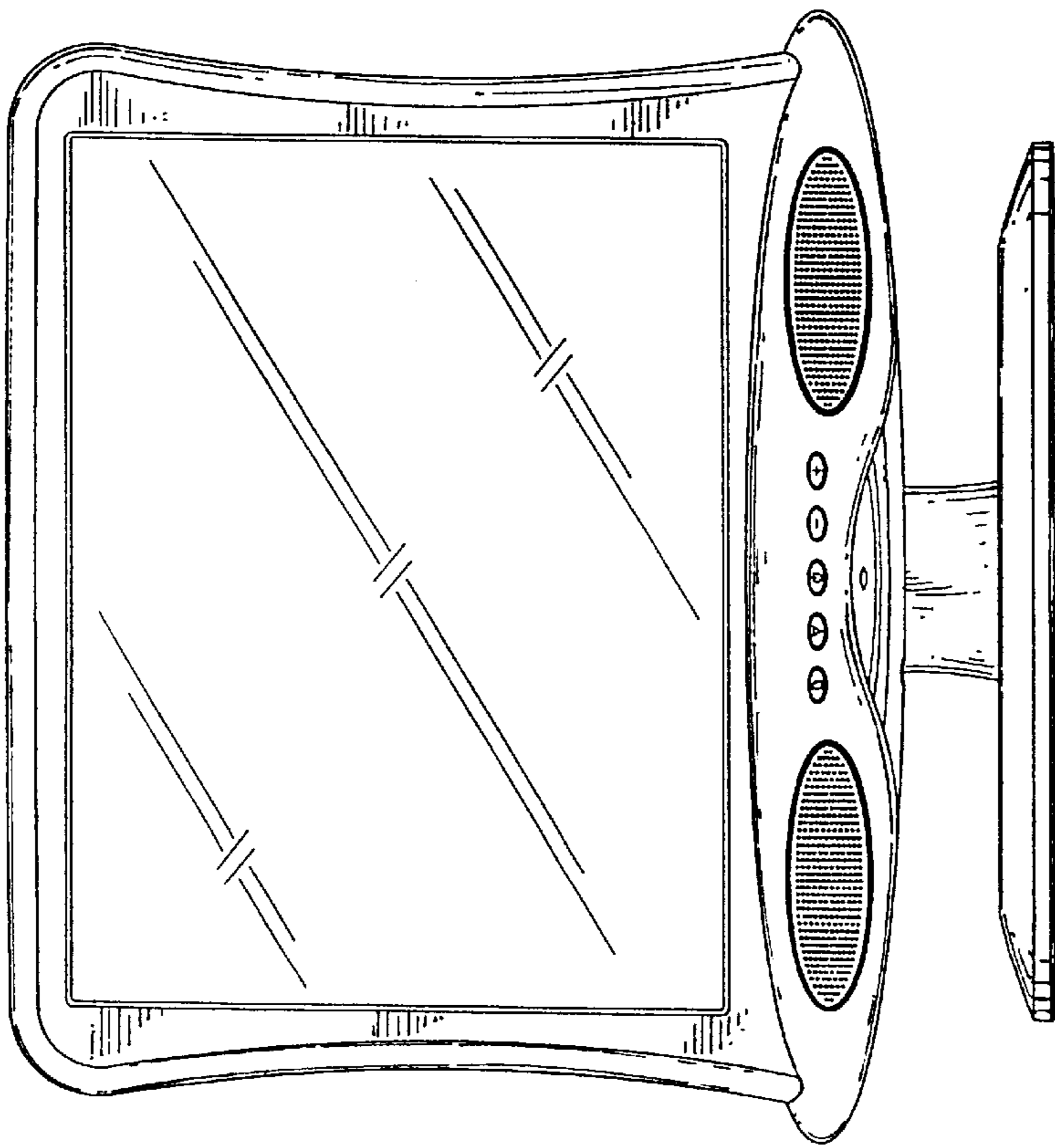


Fig.2

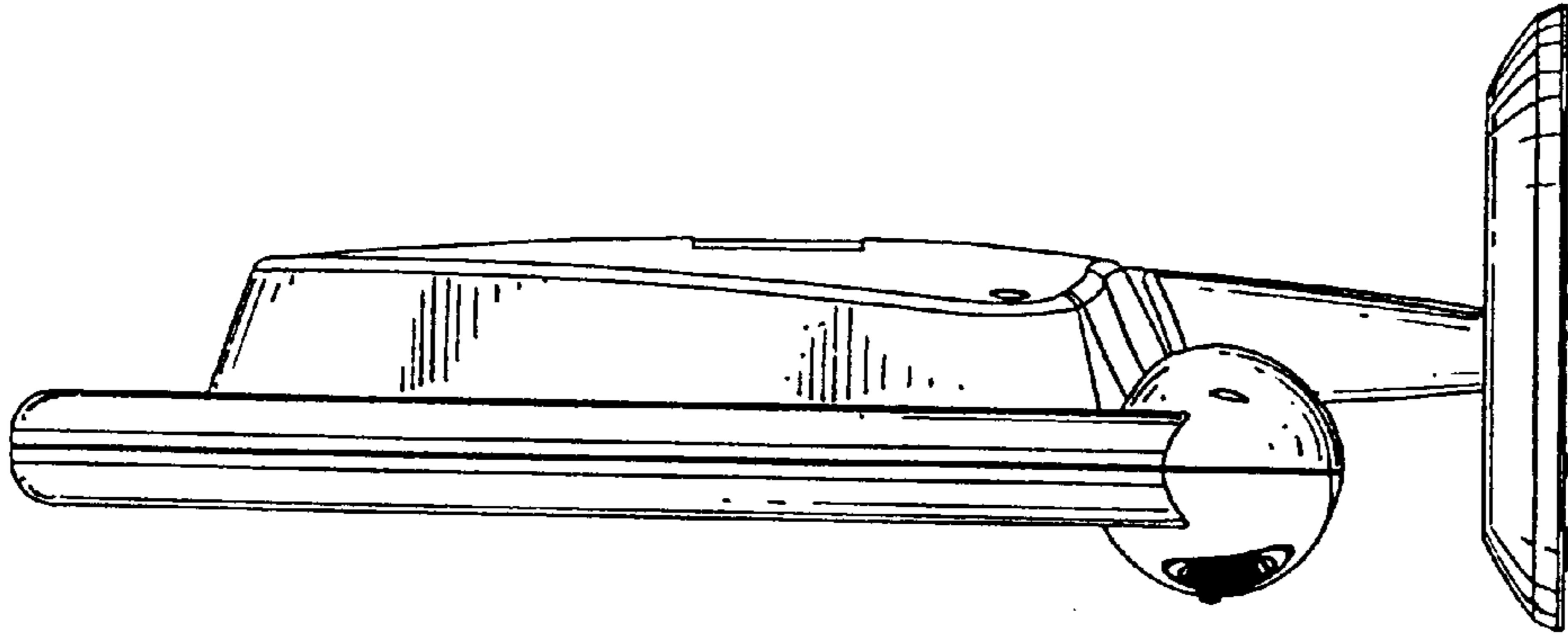


Fig.5

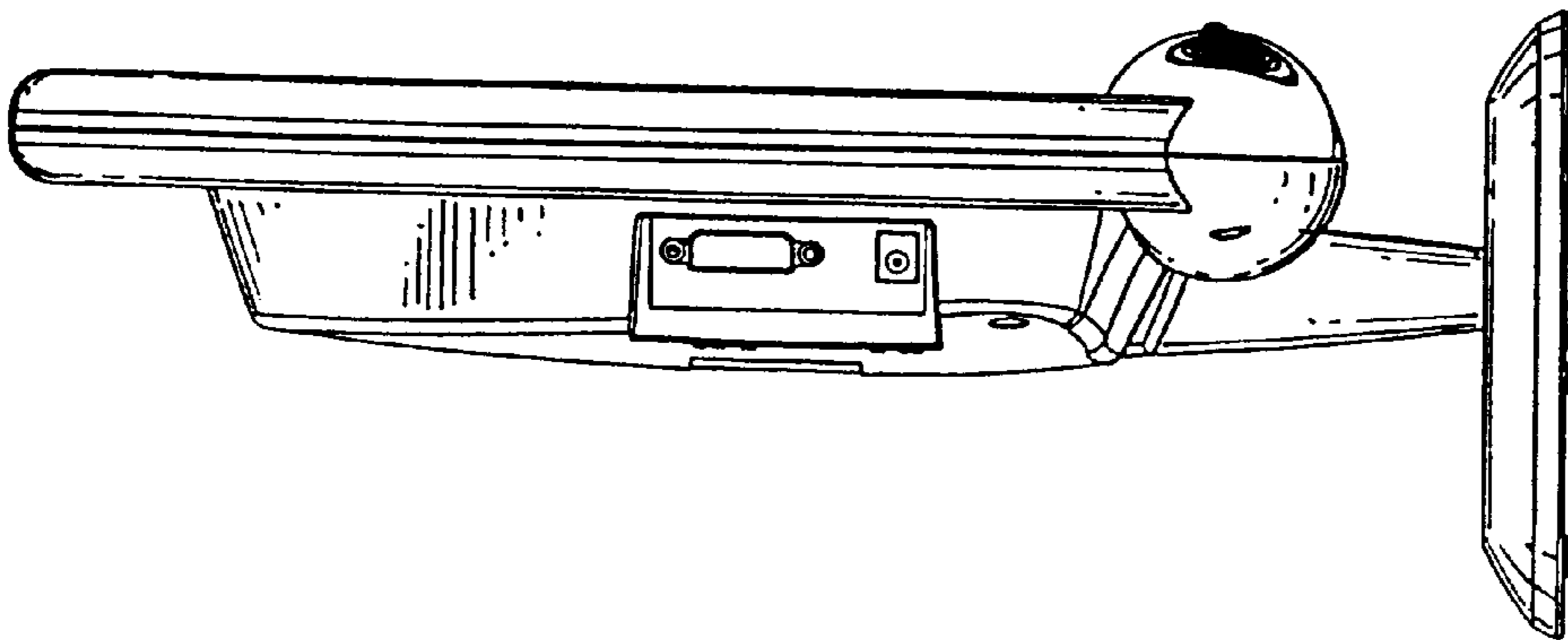


Fig.4

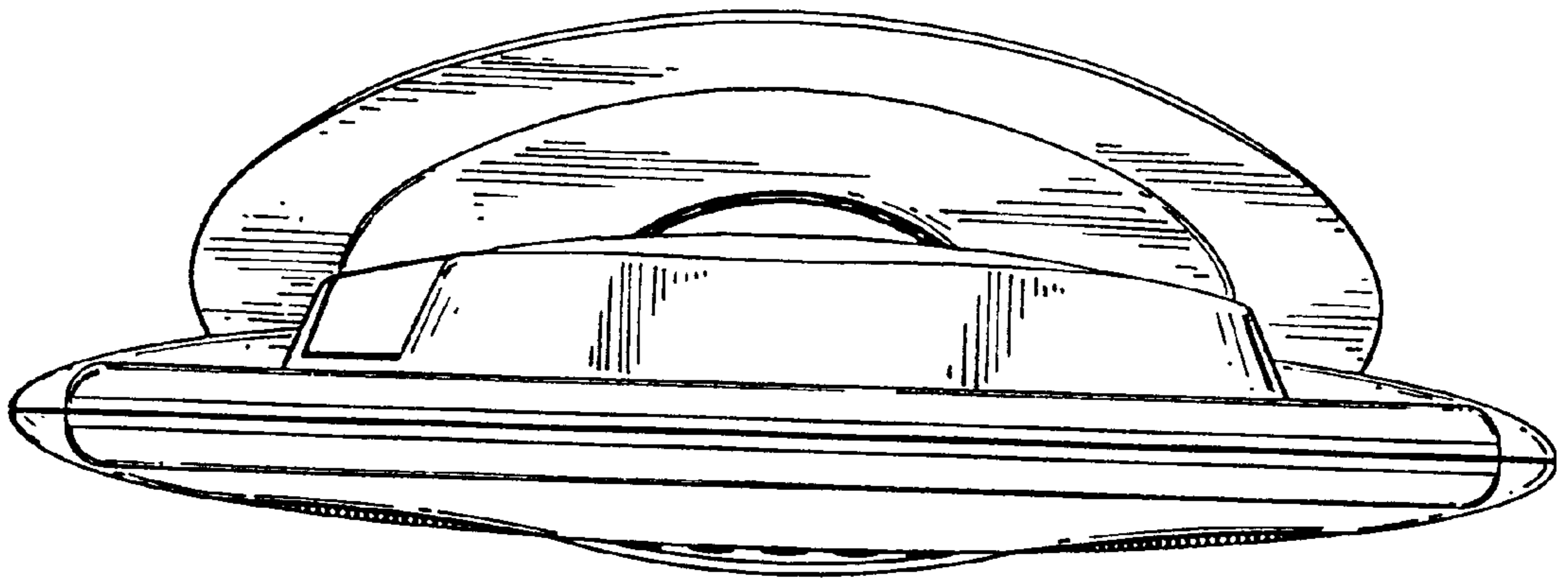


Fig.6

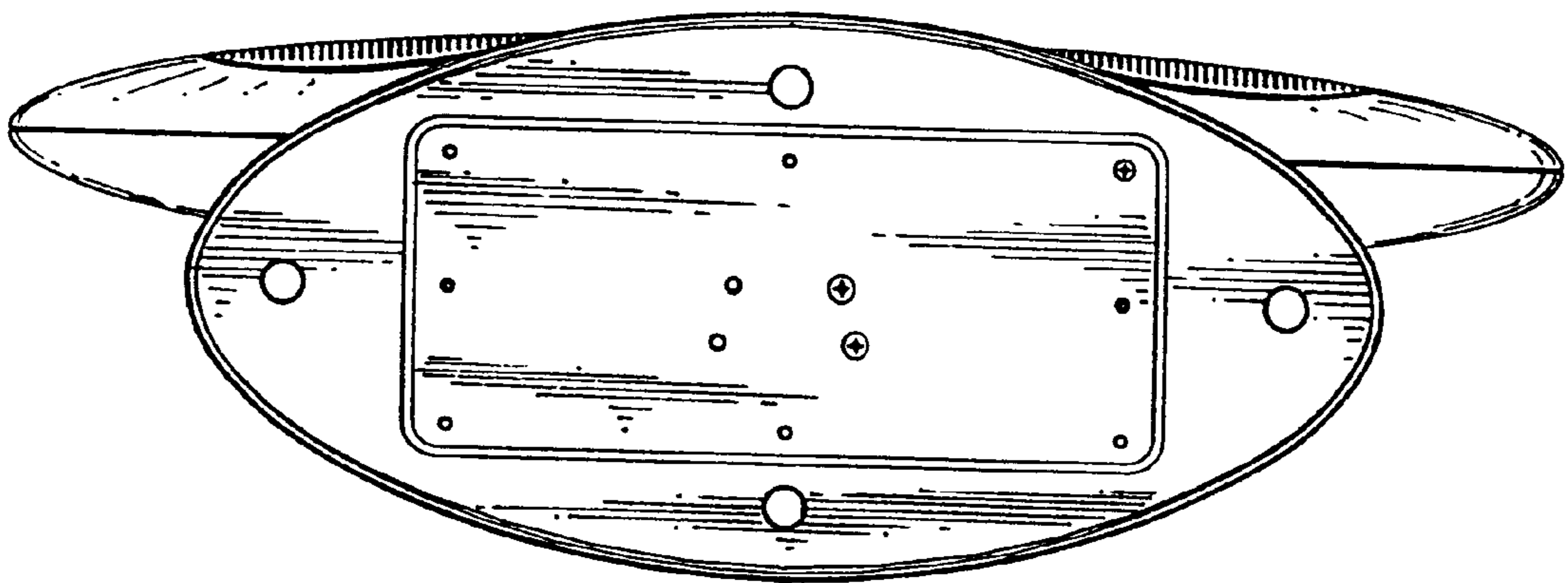


Fig.7