



US00D479230S

(12) **United States Design Patent**  
**Hirose et al.**

(10) **Patent No.:** **US D479,230 S**

(45) **Date of Patent:** **\*\* Sep. 2, 2003**

(54) **COMPUTER**

(75) Inventors: **Shingo Hirose**, Kokubunji (JP); **Kenta Kumagai**, Tokyo (JP); **Yoshiaki Amano**, Tama (JP); **Satoshi Hamazaki**, Fujisawa (JP); **Hiroki Hosono**, Isehara (JP); **Yoshinori Goko**, Machida (JP); **Peter Hohman**, Arese (IT)

(73) Assignee: **Hitachi, Ltd.**, Tokyo (JP)

(\* ) Notice: This patent is subject to a terminal disclaimer.

(\*\*) Term: **14 Years**

(21) Appl. No.: **29/134,671**

(22) Filed: **Dec. 28, 2000**

(30) **Foreign Application Priority Data**

Oct. 2, 2000 (JP) ..... 2000-027885

(51) **LOC (7) Cl.** ..... **14-02**

(52) **U.S. Cl.** ..... **D14/337**

(58) **Field of Search** ..... D14/336, 337,  
D14/371-376, 125-129; 248/917-924;  
341/12; 345/104, 156, 168, 173; 348/180,  
184, 325, 739; 349/1, 2, 11, 62; 361/680-686

(56) **References Cited**

**U.S. PATENT DOCUMENTS**

D354,949 S \* 1/1995 Yao ..... D14/337  
D406,824 S \* 3/1999 Minemoto et al. .... D14/375  
D432,534 S \* 10/2000 Hirose et al. .... D14/337  
D434,760 S \* 12/2000 Wang ..... D14/337

\* cited by examiner

*Primary Examiner*—Freda Nunn

(74) *Attorney, Agent, or Firm*—Antonelli, Terry, Stout & Kraus, LLP

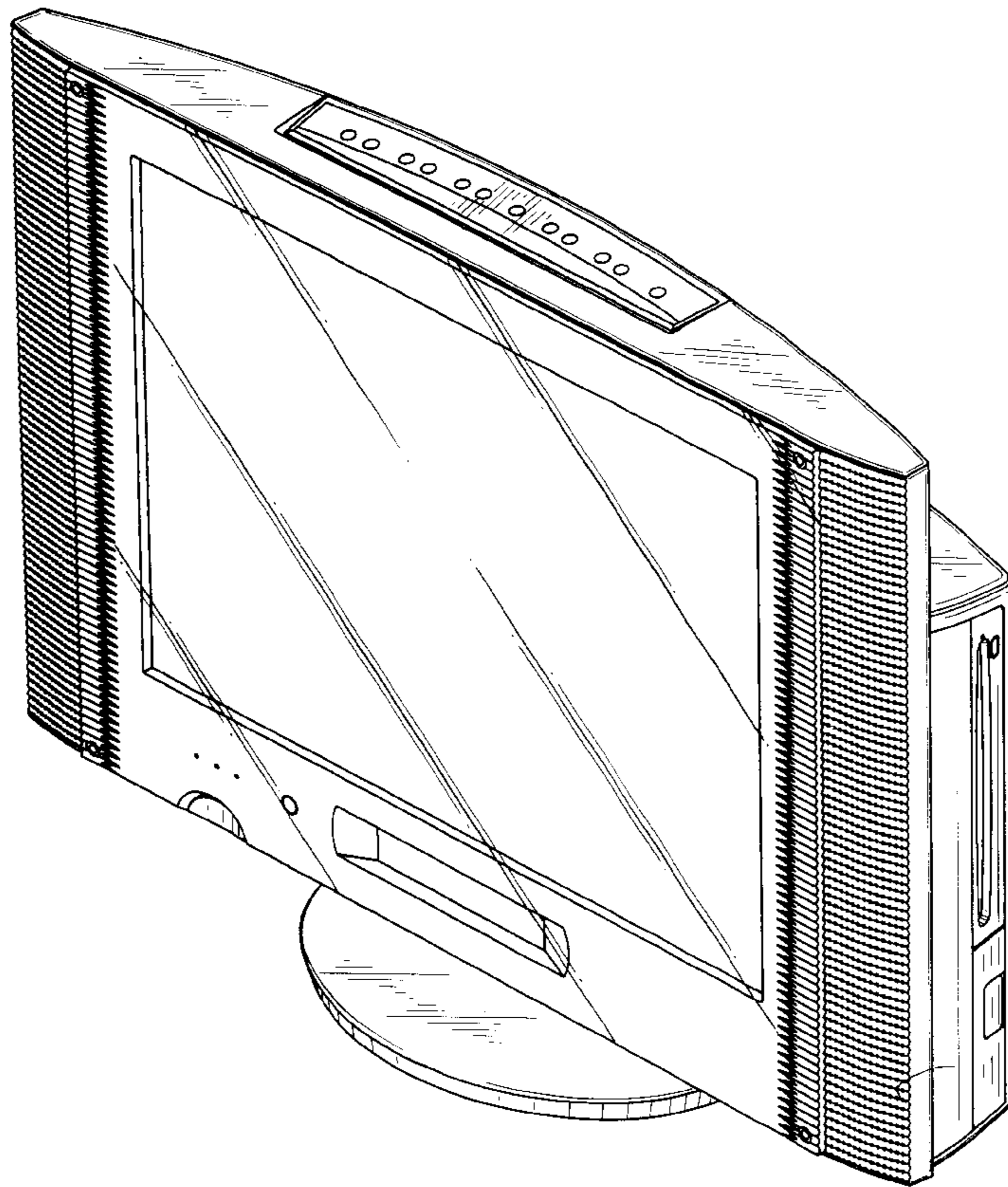
(57) **CLAIM**

The ornamental design for a computer, as shown.

**DESCRIPTION**

FIG. 1 is a front, top and right side perspective view of a computer showing our new design;  
FIG. 2 is a front elevational view thereof;  
FIG. 3 is a top plan view thereof;  
FIG. 4 is a bottom plan view thereof;  
FIG. 5 is a left side elevational view thereof;  
FIG. 6 is a right side elevational view thereof; and,  
FIG. 7 is a rear side elevational view thereof.

**1 Claim, 5 Drawing Sheets**



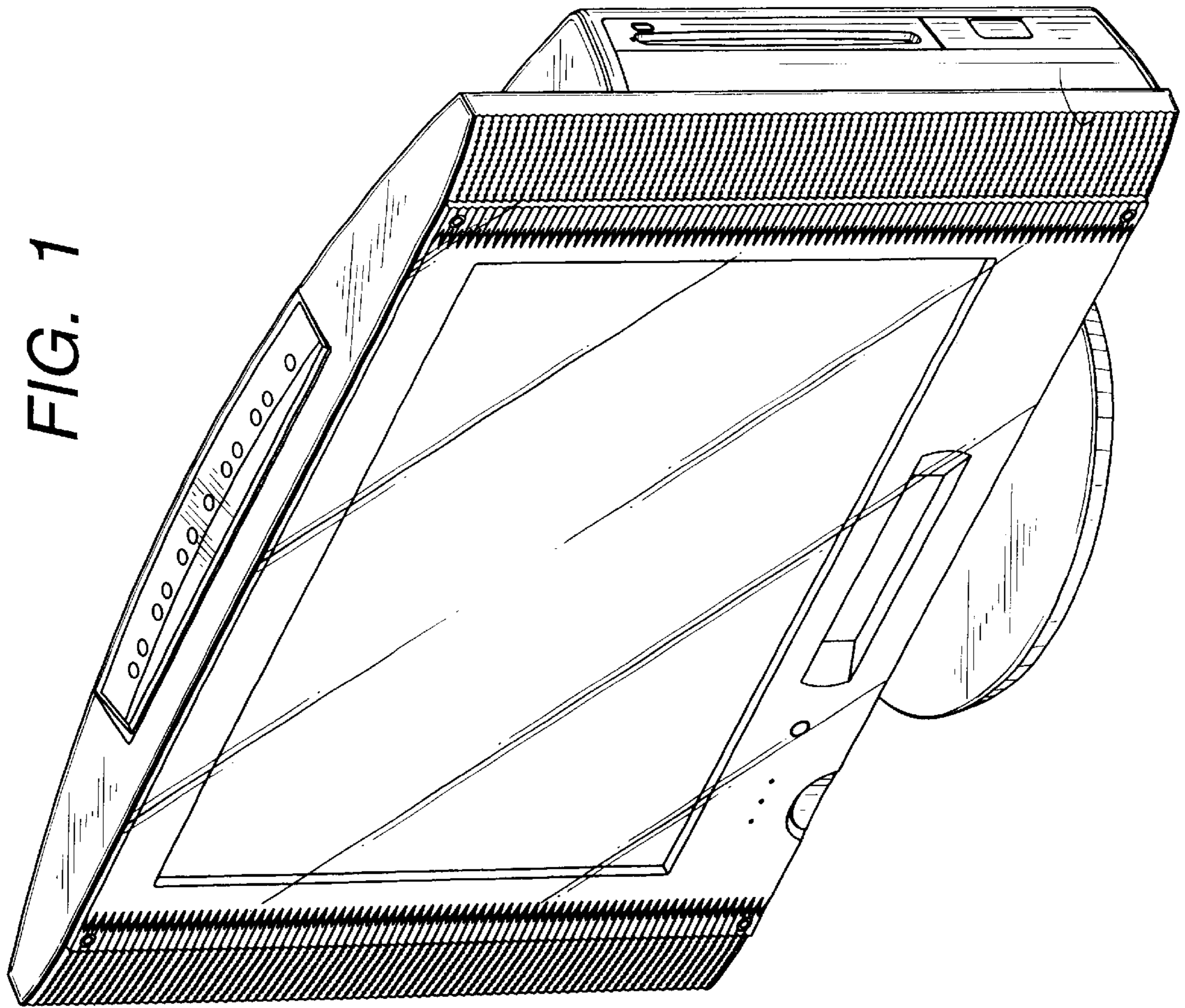
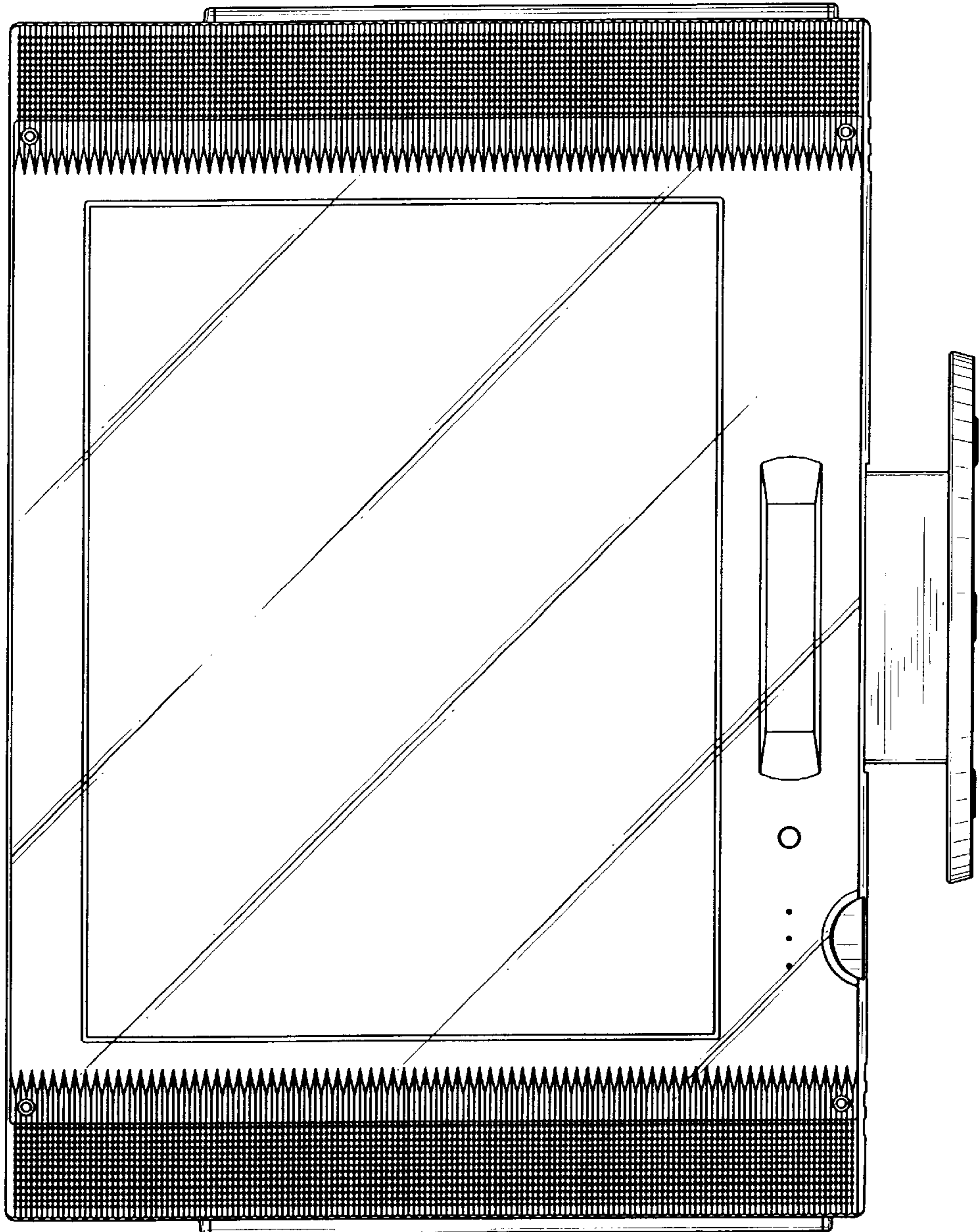




FIG. 2



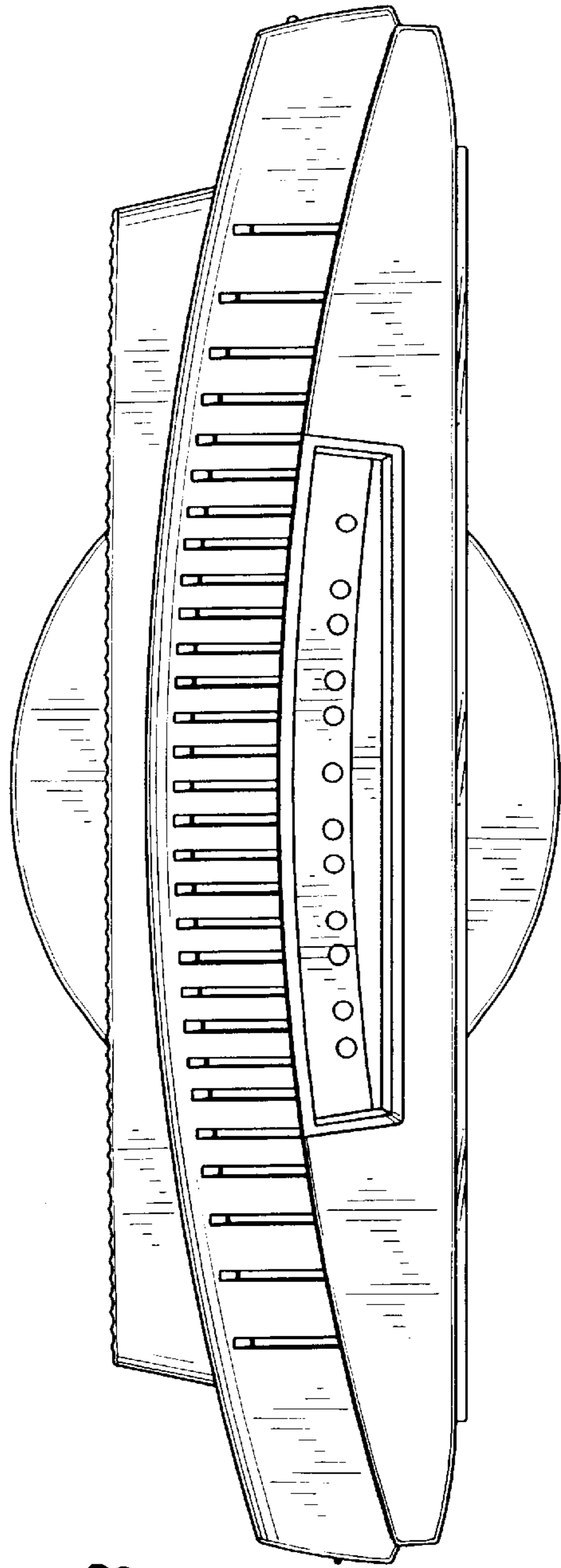


FIG. 3

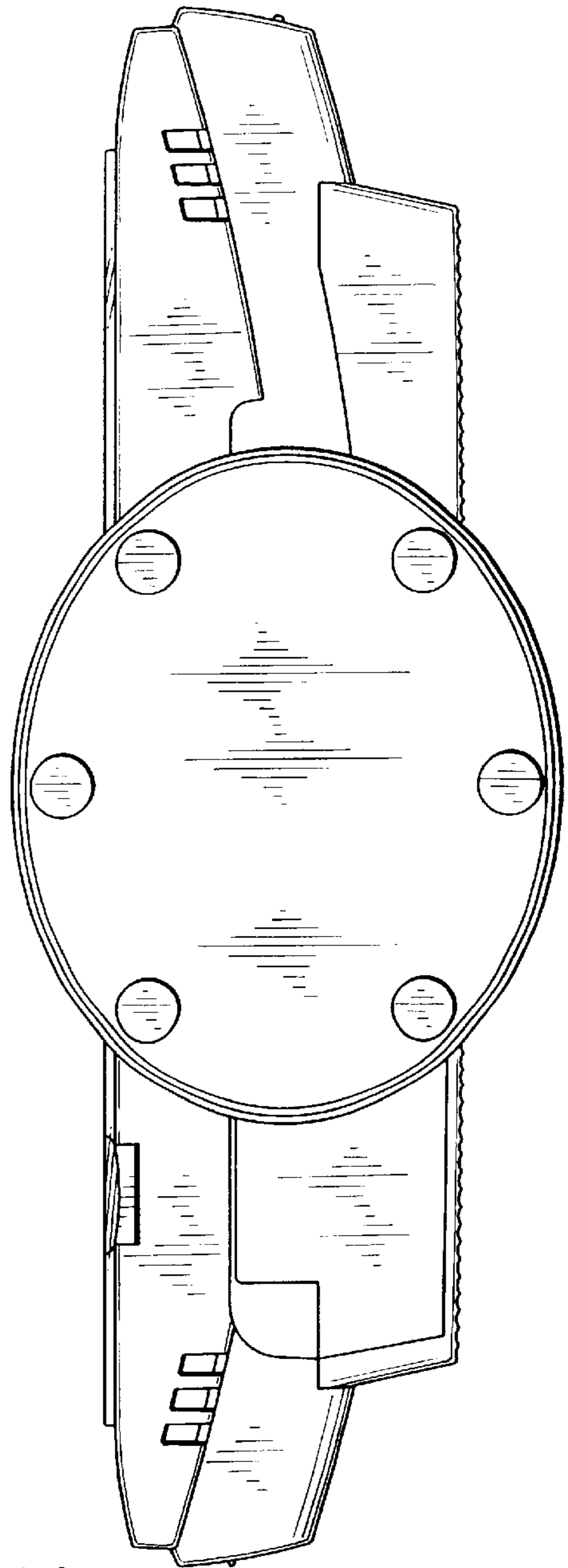


FIG. 4

FIG. 6

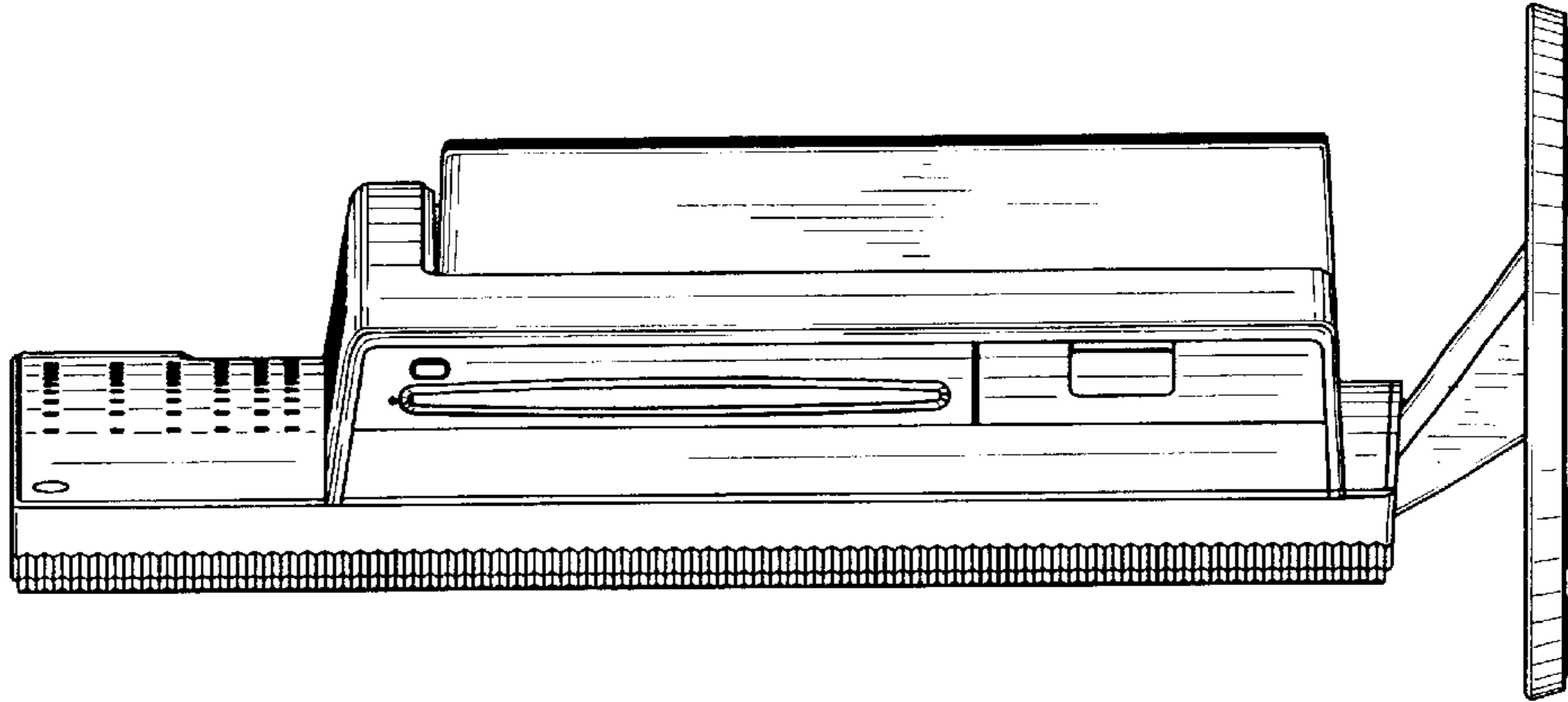


FIG. 5

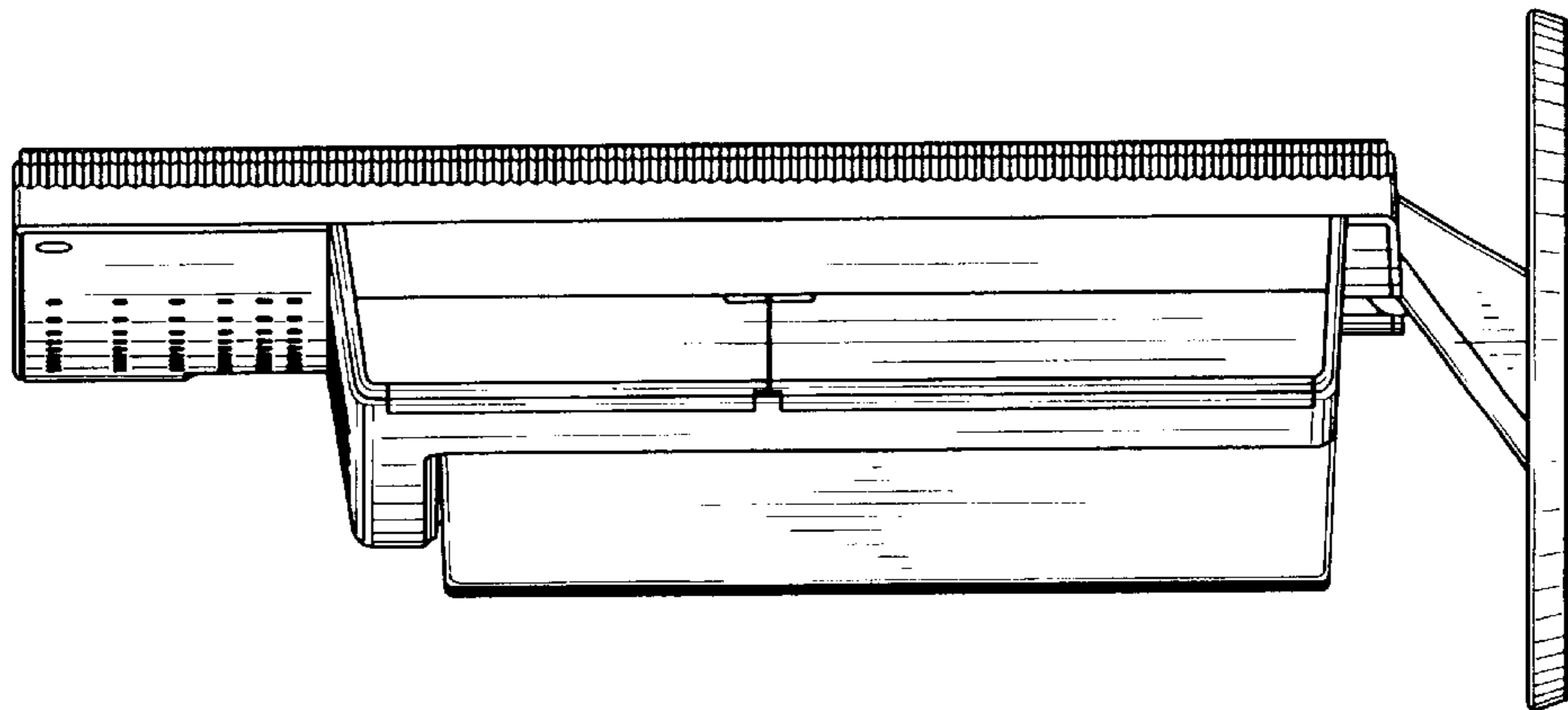


FIG. 7

